

CPM-SP

Installation, Commissioning, User and Maintenance Instructions

Models included:

CPM-SP232

CPM-SP348

CPM-SP464



TABLE OF CONTENTS

INTRODUCTION.....	5
1. SAFETY GUIDELINES	6
2. TECHNICAL DATA OF THE CPM SP116 BOILER.....	7
2.1. FUNCTIONAL INTRODUCTION.....	7
2.2. TECHNICAL SPECIFICATIONS DATASHEET.....	8
2.3. ERP SPECIFICATIONS DATASHEET	10
3. DIMENSIONS.....	11
4. ACCESSORIES AND UNPACKING.....	12
4.1. ACCESSORIES	12
4.2. FLUE GAS AND AIR SUPPLY PARTS.....	12
4.3. UNPACKING.....	13
5. INSTALLATION OF THE CPM SP116	13
5.1. GENERAL NOTES	13
5.2. MOUNTING THE BOILER	14
6. CONNECTIONS WATER SIDE.	15
6.1. BOILER CONNECTIONS	15
6.1.1. <i>Mounting</i>	15
6.1.2. <i>Gas connection</i>	15
6.2. CONDENSATE DRAIN CONNECTION.....	16
6.3. FLOW AND RETURN CONNECTIONS.....	16
6.4. THE EXPANSION VESSEL.....	17
6.5. PRESSURE RELIEF VALVE	17
6.6. BYPASS	17
6.7. PUMP FUNCTIONALITY	17
6.8. FROST PROTECTION	17
6.9. INSTALLING A STRAINER AND/OR DIRT SEPARATOR.....	18
6.10. WATER QUALITY	18
6.11. PLASTIC PIPING IN THE HEATING SYSTEM.....	19
6.12. AUTOMATIC AIR VENT.....	19
6.13. AUTOMATIC WATER FILLING SYSTEMS	19
6.14. WATER PRESSURE.....	19
6.15. CHEMICAL WATER TREATMENT	20
6.16. UNDER FLOOR HEATING	20
6.17. FLUSH THE SYSTEM WITH FRESH WATER	20
6.18. INSTALLATION EXAMPLES	20
6.18.1. <i>Example of a low-resistance heating circuit</i>	20
6.18.2. <i>Example of a normal single boiler heating circuit (preferable)</i>	21
6.18.3. <i>Example of a multiple boiler heating circuit</i>	21
7. HYDRAULIC GRAPH BOILER RESISTANCE (mWC).....	22
7.1. HIGH EFFICIENCY PUMP.....	22
7.2. PUMPS: ELECTRICAL POWER LIMITS	23
7.3. PUMP INSTALLATION.	23
8. FLUE GAS DISCHARGE AND AIR SUPPLY SYSTEM	24
8.1. GENERAL	24
8.2. BOILER CATEGORIES - TYPES OF FLUE GAS SYSTEMS.....	25
8.3. C63 CERTIFIED.....	26
8.4. AIR SUPPLY	27
8.4.1. <i>Combustion air quality</i>	27
8.4.2. <i>Air supply through humid areas</i>	27
8.5. PIPE HEIGHTS ON A FLAT ROOF	28
8.6. FLUE GAS OUTLET & COMBUSTION AIR INLET CALCULATION EXAMPLES.....	29

8.7.	SIX TYPICAL EXAMPLES.....	30
8.7.1.	General twin-pipe installation guidelines.....	30
8.7.2.	Example A: Twin pipe system (C63).....	34
8.7.3.	Example B: Twin pipe system with concentric roof terminal (C33).....	34
8.7.4.	Example C: Single flue gas outlet. Air supply from boiler room.....	36
8.7.5.	General concentric flue system installation guidelines.....	37
8.7.6.	Example D: Concentric flue gas/air supply pipe (roof-mounted).....	41
8.7.7.	Example E: Concentric system Wall outlet C13(wall-mounted).....	41
8.7.8.	Example F: Separate air supply duct & flue duct in different pressure zone (C53).....	43
9.	ELECTRICAL INSTALLATION.....	44
9.1.	GENERAL.....	44
9.2.	ELECTRICAL CONNECTIONS.....	44
9.3.	FUNCTIONS OF THE CONNECTIONS.....	44
9.4.	ELECTRICAL SCHEMATICS.....	46
9.5.	SENSOR VALUES AND CONVERSION TABLES.....	48
10.	USER INTERFACE.....	49
10.1.	CONTROL PANEL / DISPLAY UNIT.....	49
10.2.	CONTROL PANEL MENU STRUCTURE.....	50
10.3.	DISPLAY DURING OPERATION.....	52
10.4.	MONITOR SCREENS.....	53
10.5.	SERVICE FUNCTION.....	55
10.6.	SCHORNSTEIFEGER FUNCTION.....	55
10.7.	PROGRAMMING IN STANDBY MODE.....	56
10.8.	SETTING THE TIME & DATE.....	56
10.9.	SET POINTS.....	57
10.10.	SETTING THE TIMER PROGRAMS.....	58
10.11.	SETTING THE OUTDOOR SPECIFICATIONS.....	61
10.12.	CHECKING THE OPERATING HISTORY.....	65
10.13.	CHECKING THE FAULT HISTORY.....	66
10.14.	SETTING THE MAINTENANCE SPECIFICATIONS.....	67
10.15.	SETTING THE USER LOCK.....	70
10.16.	SETTING THE PARAMETERS WITH THE DISPLAY MENU.....	71
10.17.	FAULT CODES DISPLAY.....	78
10.17.1.	Lock-out codes.....	78
10.17.2.	Blocking codes.....	79
10.17.3.	Maintenance attention messages.....	80
11.	CONTROLLING OPTIONS AND SETTINGS.....	81
11.1.	GENERAL.....	81
11.1.1.	Extra boiler control.....	81
11.1.2.	Max cooling time.....	81
11.1.3.	Temperature display on/off.....	81
11.1.4.	Water pressure.....	81
11.1.5.	Gas type selection.....	81
11.1.6.	Soft start option.....	82
11.1.7.	Pump mode (EC technology).....	82
11.2.	HEATING.....	83
11.2.1.	Controlling behaviour settings.....	83
11.2.2.	Room thermostat on/off.....	84
11.2.3.	Room thermostat OPEN THERM.....	84
11.2.4.	Outdoor temperature related flow control.....	84
11.2.5.	0-10 Vdc Remote flow temperature set point.....	84
11.2.6.	0-10 Vdc Remote burner input control.....	85
11.2.7.	Timer contact function.....	85
11.3.	INDIRECT HOT WATER / CALORIFIER.....	86
11.3.1.	Pump and 3-way valve control.....	86
11.3.2.	Tank thermostat.....	86
11.3.3.	Tank sensor.....	86
11.3.4.	Low/high flow temperature to tank coil.....	87
11.3.5.	Heating and hot water switching time.....	88
11.3.6.	Heating and hot water switching at sudden temperature drop.....	88
11.3.7.	Anti-Legionnaires' disease function (pasteurisation).....	89

11.4.	CASCADE CONTROL	90
11.4.1.	<i>Parameter settings for cascaded boilers</i>	90
11.4.2.	<i>Monitor screens</i>	92
11.4.3.	<i>Output control and boiler sequence</i>	92
12.	COMMISSIONING THE BOILER.....	93
12.1.	FIRST: FLUSHING THE BOILER WITH WATER.....	93
12.2.	SECOND: FILLING & VENTING THE BOILER AND THE SYSTEM.....	93
12.3.	THIRD: CHECK THE WATER FLOW	93
13.	STARTING THE BOILER	95
13.1.	GENERAL	95
13.2.	FIRING FOR THE FIRST TIME	95
14.	ADJUSTING AND SETTING THE BURNER	96
14.1.	INTRODUCTION	96
14.1.1.	<i>Adjustment tables</i>	96
14.1.2.	<i>Adjustment values</i>	97
14.1.3.	<i>Setting screws gas valve: drawing</i>	98
14.1.4.	<i>Adjustment actions: general scheme</i>	99
14.2.	ADJUSTING IN CASE OF A NEW BOILER, OR AFTER MAINTENANCE (CASE A)	100
14.2.1.	<i>General remark</i>	100
14.2.2.	<i>Checking and adjusting at maximum load</i>	100
14.2.3.	<i>Checking and adjusting at minimum load</i>	100
14.3.	ADJUSTING IN CASE OF VALVE REPLACEMENT OR GAS CONVERSION (CASE B)	100
14.3.1.	<i>General remarks</i>	100
14.3.2.	<i>Checking and adjusting at maximum load</i>	100
14.3.3.	<i>Checking and adjusting at minimum load</i>	100
14.4.	ADJUSTING PROCEDURES	100
14.5.	GAS CONVERSION PROPANE OR B/P	102
15.	PUTTING THE BOILER OUT OF OPERATION.....	103
15.1.	OUT OF OPERATION: ON/OFF FUNCTION	103
15.2.	OUT OF OPERATION: POWER OFF	103
16.	FAULT CODES AND BLOCKING CODES	104
16.1.	FAULT CODES.....	104
16.2.	BLOCKING CODES.....	109
16.3.	MAINTENANCE REMINDER FUNCTION.....	112
17.	MAINTENANCE	113
17.1.	GENERAL	113
17.2.	ANNUAL INSPECTION & MAINTENANCE.....	113
18.	USER INSTRUCTIONS	116
19.	INSTALLATION EXAMPLES	117
20.	CPM SP116 SPARE PARTS	122
20.1.	SPARE PARTS EXPLODED VIEW	122
21.	INDEX.....	125

INTRODUCTION

This manual is written for:

- The installer
- The system design engineer
- The service engineer
- The user

symbols



Warning: important information related to the safety of persons and/or the appliance

All documentation produced by the Lochinvar is subject to copyright law.

1. SAFETY GUIDELINES

Carefully read all the instructions before commencing installation.

Keep these instructions near the boiler for quick reference.

The appliance should be installed by a skilled installer according to all applicable standards and regulations. Failure to comply with these regulations could deem the warranty invalid.

Without written approval of Lochinvar the internals of the boiler may not be changed. When changes are executed without approval, the boiler certification becomes invalid.

Commissioning, maintenance and repair must be done by a skilled installer/engineer, according to all applicable standards and regulations.



What to do if you smell gas:

- Don't use any electrical equipment.
- Don't press any switches.
- Close the gas supply.
- Ventilate the room (open the windows and/or outside boiler room doors).
- Immediately warn the installer.



Lochinvar is not liable for any damage caused by inaccurately following these mounting instructions. Only original parts may be used when carrying out any repair or service work.



This appliance is not intended for use by persons (including children) with reduced physical, sensory or mental capabilities, or lack of experience and knowledge, unless they have been given supervision or instruction concerning use of the appliance by a person responsible for their safety. Children should be supervised to ensure that they do not play with the appliance.

2. TECHNICAL DATA OF THE CPM SP116 BOILER

2.1. *Functional introduction*

The CPM SP116 boilers are central heating boilers with a maximum high efficiency. Such a performance can be reached by, amongst other things, using a special heat exchanger made of stainless steel. The heat exchanger allows the flue gases to cool down below the condensation point, releasing extra heat. This immediately improves the efficiency considerably.

The CPM SP116 boiler is standard set for Natural Gas G20

Gases used must meet the European standard EN 437.

Fuel used should have sulphur rates according to the European standard, a maximum annual peak over a short period of time of 150 mg/m³ and an annual average of 30 mg/m³.

Boiler control includes:

- Cascade control for up to twelve boilers
- Remote operation and heat demand indication from each boiler
- Weather compensation control
- Calorifier control

Connections for:

- Boiler pump
- 0-10 VDC remote flow temperature (set point) control
- 0-10 VDC remote burner input control
- Outdoor temperature sensor
- External calorifier pump or diverter valve

Cascade control

When using the integrated cascade control, a maximum of twelve boilers can be controlled in a cascade configuration. By the use of an appropriate external control, this number may be increased at will.

0-10 VDC connection available

The boiler flow temperature or power input can be controlled by an external 0-10 VDC signal. When a number of boilers are cascaded, the signal should be directed to the master boiler only. A signal of 1,48 Volt will switch on the boiler(s), less than 1,4 Volt will switch off the boiler(s).

Time program

For both central heating and hot water function of the boiler, time programs with three programmable periods per day are available. These time programs are set and activated by entering the desired settings directly at the boiler control panel.

2.2. Technical specifications datasheet

GENERAL		
Product Identification Number	-	CE 0063 BP3254
Classification	-	II2H3B/P
Gas Appliance Type	-	B23, B23P; C13, C33, C43, C53, C63, C83
Type boiler	-	CPM SP116
Water content est.	Litre	8,3
Weight (empty)	kg	78
Dimensions (h x w x d)	mm	842 x 476 x 486
Flow/return connection (boiler)	inch	R 1"
Gas connection	inch	R ¾"
Parallel connection	mm	Ø 100-100

CENTRAL HEATING [EN437]		Values min-max:
Nominal input (Net)	kW	26,0 - 111
Nominal input (Hs) (G20)	kW	28,9 - 123
Nominal input (Hs) (G31) ¹	kW	28,3 - 121
Nominal input (Hs) (G30) ¹	kW	34,7 - 120
Nom. output 80/60	kW	24,7 - 106
Nom. output 50/30	kW	27,2 - 116
Nom. output 37/30	kW	28,1 - 120
Efficiency 40/30°C DIN 4702-8	%	up to 110,6 %

GAS CONSUMPTION [EN437]		Values min-max:	
Natural gas G20	m ³ _{st} /h	2,75 - 11,8	
Propane gas G31 ¹	m ³ _{st} /h	1,06 - 4,54	
Butane/Propane (B/P) G30/G31 ¹	m ³ _{st} /h	0,99 - 3,44	
	G20	mbar	20
	G31 ¹	mbar	30/37
	G30/G31 ¹	mbar	50

NOTES

¹ When using propane or butane, a special air restrictor kit is needed. See accessories list on page 12 and instruction at page 95.

² Below a table is given in which the min. and max. gas supply pressures are mentioned according to EN437

	p nominal [mbar]	p min [mbar]	p max [mbar]
G20	20	17	25
G31	30	25	35
	37	25	45
G30/G31	50	43	57

EMISSION [EN437]		Nominal values at min-max load:	
CO ₂ flue gas ³	G20	%	8,7 - 9,0
	G31 ¹	%	9,3 - 10,3
	G30/G31 B/P) ¹	%	9,3 - 10,4
NOx class [EN15502-1]		-	6
Weighted NOx emission at 0% O ₂		ppm	22,2
		Mg/kWh	39,9
Flue gas temperature at combustion air temperature = 20°C		°C	≈ 85-95
Mass flow flue gas [min-max] Q _{fluegas} condensing		g/s	11,6 - 57,7
Available pressure for the flue system ⁴		Pa	160

INSTALLATION			
Max. flow temperature		°C	90
Available pressure for the installation at	ΔT = 20 K	mWC	3,8
	ΔT = 25 K	mWC	2,4
Pressure CH-system min./max. ⁵		bar	1-4

ELECTRIC		
Power supply	V / Hz	230 / 50
Power consumption	W	150
Protection class	-	IPX4D

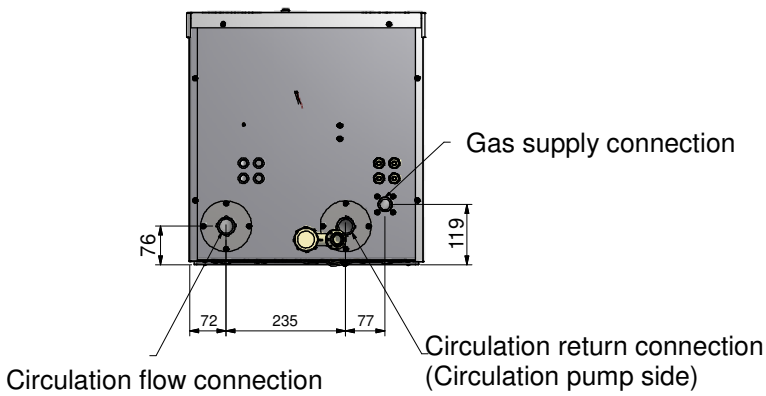
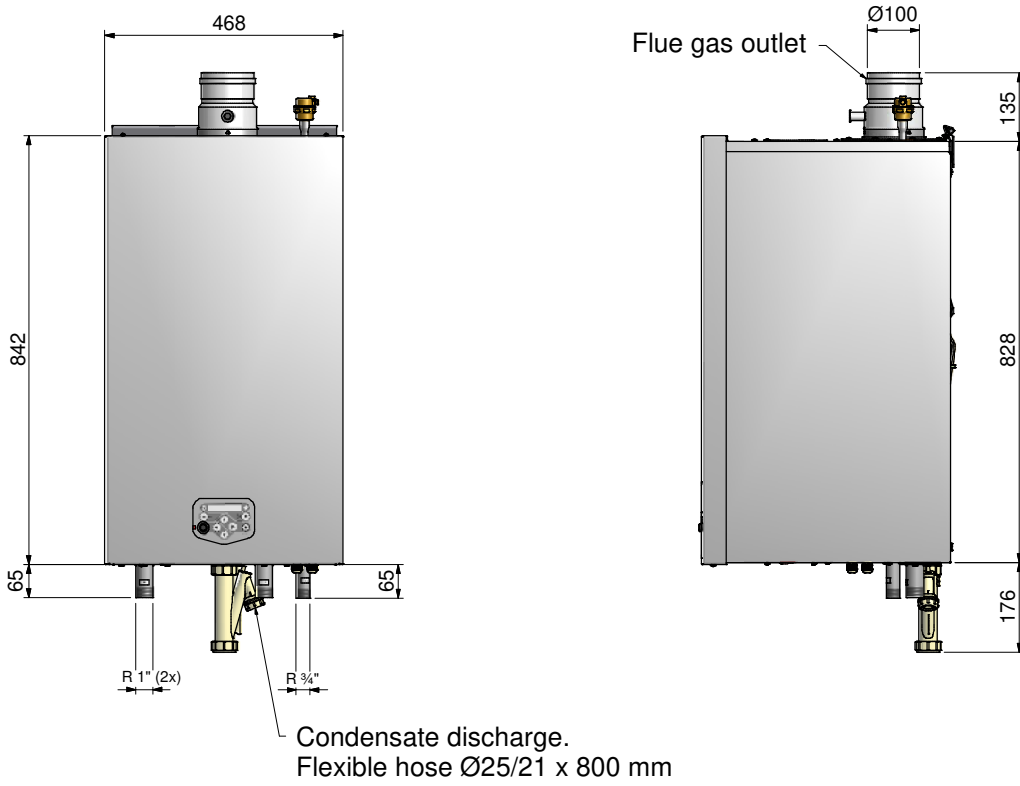
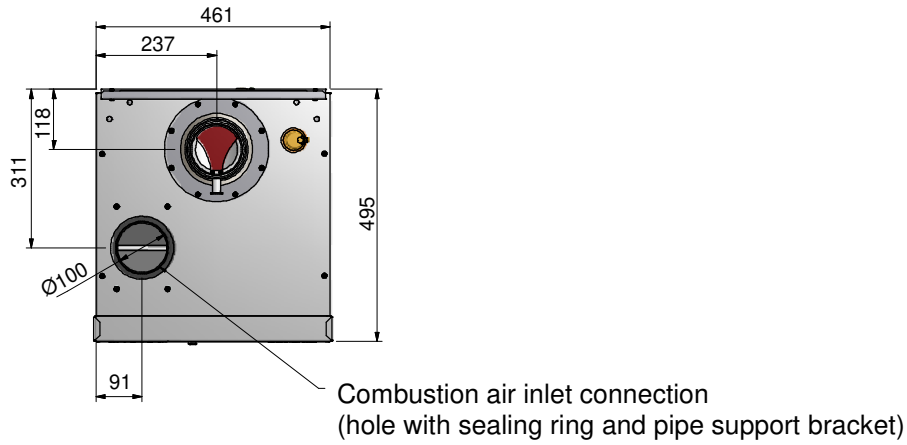
NOTES
³ CO ₂ of the unit measured/set without the boiler front panel in place
⁴ Maximum allowed combined resistance of flue gas and air supply piping at high fire
⁵ When the built-in water pressure <u>sensor</u> is replaced by a water pressure <u>switch</u> , water pressure may go up to 6,0 bar

2.3. ERP specifications datasheet

Technical parameters according the European ERP (Energy Related Products) legislation:

Type Boiler:		CPM SP116
Condensing boiler:		Yes
low temperature boiler:		Yes
B11 boiler:		No
Cogeneration space heater:		No
Combination heater:		No
	Unit:	Value
Rated heat output	kW	107,7
P-rated (P4) at 60-80°C	kW	107,7
Heat output (p1) 30% at 30-37°C	kW	36,0
Seasonal space heating energy efficiency (η_s).	%	92,7
energy efficiency (η_4) at 60-80°C	%	87,4
energy efficiency (η_1) at 30-37°C	%	97,5
Auxiliary electricity consumption		
At full load (elmax).	kW	0,152
At part load (elmin)	kW	0,027
In standby mode (Psb)	kW	0,004
Other		
Standby heat loss (Pstby)	kW	0,076
Ignition burner power consumption (P_{ign})	kW	0,000
Emissions (Nox) of nitrogen oxides (EN15502-1:2012+A1:2015)	mg/kWh	45
Sound power level, indoors (EN 15036-1:2006)	dB	63

3. DIMENSIONS



4. ACCESSORIES AND UNPACKING

4.1. Accessories

Depending on the selected controlling behaviour for the central heating system and/or the optional use of a calorifier, the following items can be supplied with the boiler. Ask your supplier for the specifications.

Item
Outdoor (air) temperature sensor: 12kOhm@25°C (Connect to the boiler connectors)
External flow temperature sensor for behind the low loss header: 10kOhm@25°C (to be mounted to the boiler connections)
Calorifier temperature sensor: 10kOhm@25°C (Connect to the boiler connectors)
Conversion set for parallel to concentric flue-air terminal (100-100 → 100/150)

4.2. Flue gas and air supply parts

Twin pipe

Twin pipe air and flue diameters:	Ø100
Conversion kit conc. to twin pipe	E61.001.164
Flue gas pipe PP L=1000mm	M85177B
Flue gas pipe PP L=500mm	M85176B
Concentric roof terminal SS.	LV310754B
Wall pipe clamps	M87193B
Bend PP 43-45°	M85182B
Bend PP 87-90°	M85181B
Concentric wall terminal	LV310758

Concentric pipe

Concentric pipe diameters air and flue:	Ø100/150
Conversion kit twin pipe to concentric	LE400061A
Flue gas pipe PP L=1000mm	M84402B
Flue gas pipe PP L=500mm	M84405B
Concentric roof terminal PP	LV310754B
Wall pipe clamps	M87196B
Conc. bend PP 43-45°	M84413B
Conc. bend PP 87-90°	M84412B
Concentric wall terminal	LV310758
Sampling Point Ø100/150MM	M84421B

4.3. **Unpacking**

The CPM SP116 boiler will be supplied with the following documents and accessories:

- One “Unpacking instructions” document.
- One “Mounting, user and service instructions” manual.
- One suspension bracket.
- Siphon with condensate discharge hose.
- One spare fuse and two burner door spare nuts, attached to the front of the gas valve.

After delivery, always check the boiler package to see if it is complete and without any defects. Report any imperfections immediately to your supplier.

5. **INSTALLATION OF THE CPM SP116**

5.1. **General notes**

At both sides of the boiler at least 50 mm of clearance should be applied to walls or wall units, 350 mm above the top side of the boiler and enough distance from the bottom side of the boiler, so that the pump can be mounted here.

The installation area/room must have the following provisions:

- 230 V - 50 Hz power source socket with earth connection.
- Open connection to the sewer system for draining condensing water.
- A sound-deadening wall.
- The wall used for mounting the boiler must be able to hold the weight of the boiler.

Other considerations related to the boiler location.

- The ventilation of the boiler room must meet all applicable standards and regulations, regardless of the selected supply of fresh air to the boiler location.
- Both the air supply and the flue gas tubes must be connected to the outside wall and/or the outside roof.
- The installation area must be dry and frost-free.
- The boiler has a built-in fan that will generate noise, depending on the total heat demand. The boiler location should minimise any disturbance this might cause. Preferably mount the boiler on a brick wall.
- There must be sufficient lighting available in the boiler room to work safely on the boiler.
- When a boiler is positioned at the highest point of the installation, the supply and return pipes must first protrude 0.5 m above the top of the boiler, before these pipes go to the installation side. In other words, the water level must always be 0.5 meter above the top of the boiler and an automatic air vent must be installed in the supply or return pipe. A low-water level protection should also be installed at the installation side.
- Notice the positioning of electrical components in relation to the temperature sensitivity.
- Make sure there is an open connection with the sewer to drain the condensate. This connection should be lower than the condensate drain level of the boiler:

The boiler must be positioned and installed by a skilled installer in accordance with all applicable standards and regulations. Commissioning the boiler must be done by a skilled service/commissioning engineer, who is trained for this type of boiler.

5.2. Mounting the boiler

Before mounting and installing the boiler the following connections should be considered:

- Flue gas system and the flue gas pipe connections
- Air supply system and connections
- Flow and return pipe connection and pump position
- Condensate and pressure relief valve drainage
- Power supply (preferably the power connection positioned above the boiler)



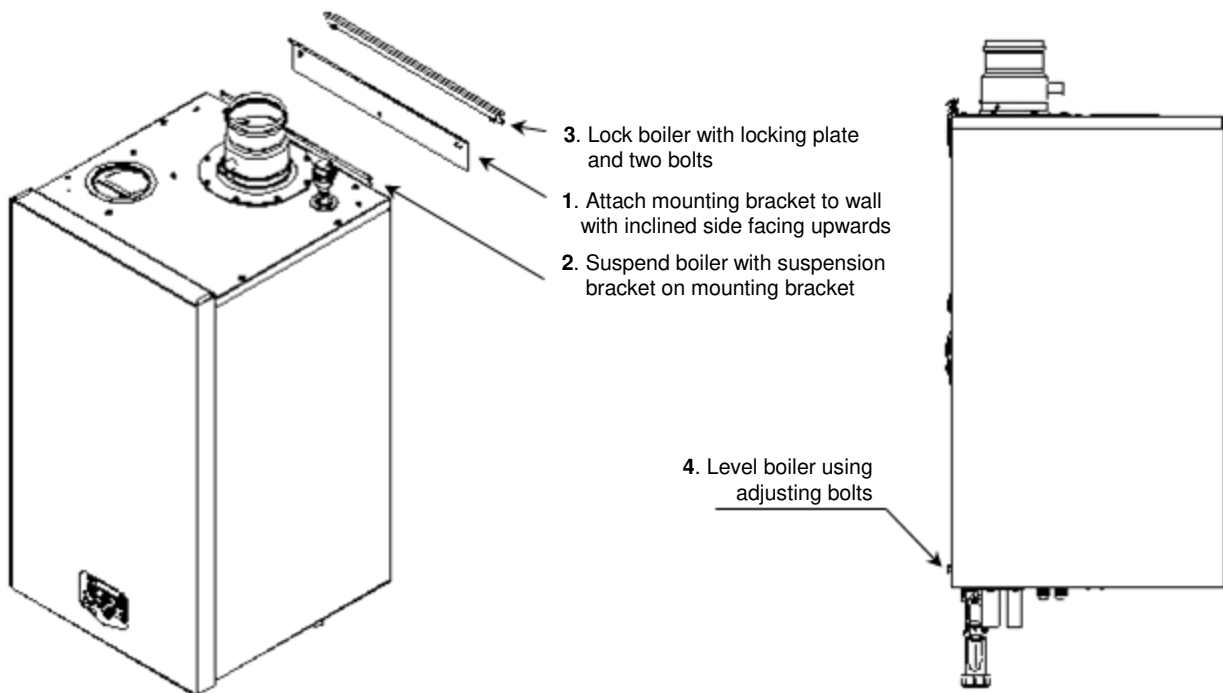
All lines/piping must be mounted free of tension. The weight of all the installation components should be supported separately from the boiler so there will be no standing force on the connections.

→ Pay attention to this while choosing the mounting position of the boiler.

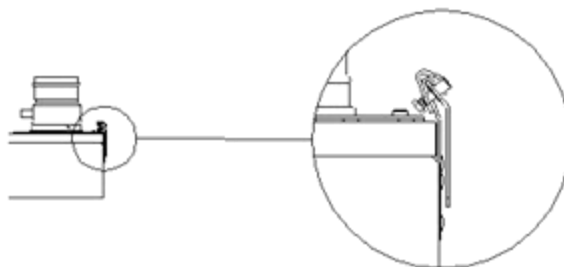
Determine the position of the flow and return pipes by using the included suspension bracket or a suspension frame (when supplied).

While marking the holes, ensure that the suspension bracket or frame is perpendicular and the boiler does not lean forward. If necessary, adjust the position with the adjusting bolts at the lower rear side of the back panel (see drawing).

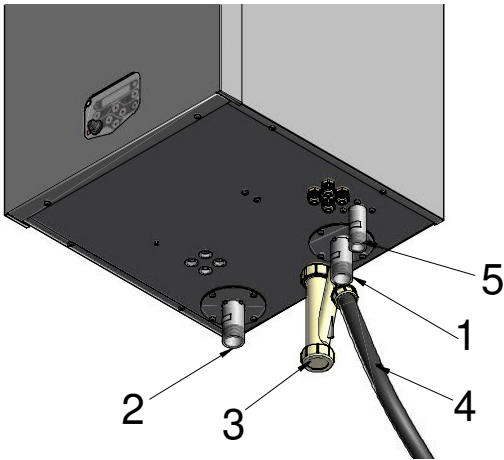
When the adjusting bolts aren't sufficient, fill the gap behind the bolts to get the boiler in position. The exact boiler position lies between the boiler hanging level and hanging slightly backwards. The boiler should not lean forward in the mounted position.



Boiler suspension

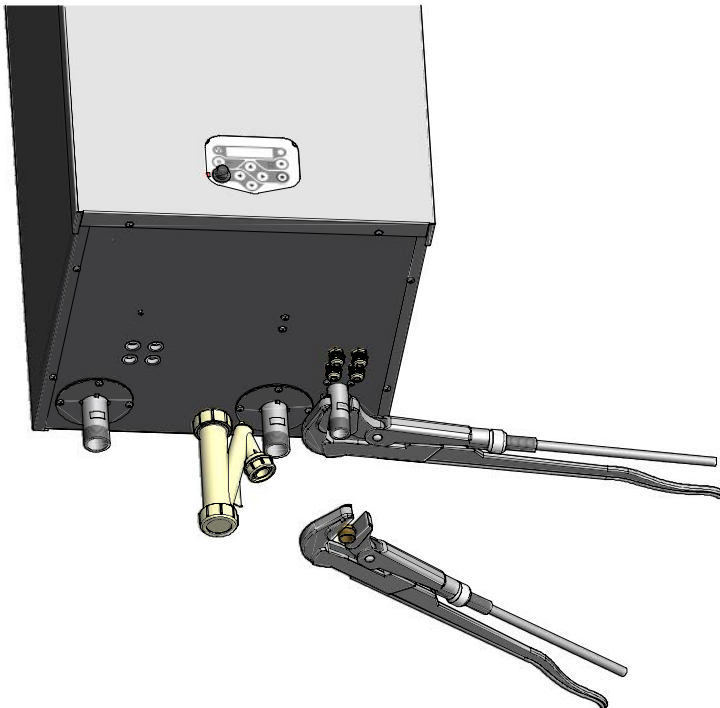


6. CONNECTIONS WATER SIDE.



6.1. Boiler connections

- 1 - Return CH
- 2 - Flow CH
- 3 - Siphon cleaning point
- 4 - Condensate drain
- 5 - Gas



6.1.1. MOUNTING

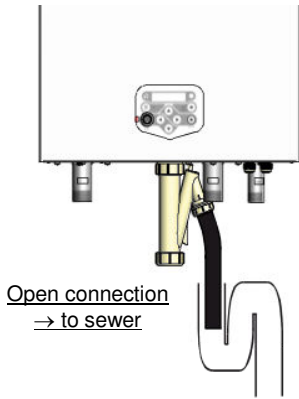
When mounting the connections, always make sure that no extra tension, forces and/or torques are applied to the connecting pipes and/or the boiler and the boiler suspension. Keep the connections fixed in place, as shown in the picture, by using two wrenches.

6.1.2. GAS CONNECTION



Always install a manual isolation valve in the gas supply line, directly underneath the boiler.
NOTICE: This valve is NOT supplied with the boiler.

6.2. Condensate drain connection



The condensate drain has a 19mm flexible discharge hose. The siphon must always be filled with water. As a safety measure, the siphon has been provided with a floating ball, which closes the outlet in case of water absence, preventing large flue gas leakage.

Use only condensate resistant materials for the external condensate drainage system. Blockage of this drain might damage the boiler. The drain connection is correct when the condensate can be seen flowing away, e.g. using a funnel. Any damage that might occur, when the drain is not installed correctly, is not covered by the warranty.

There should be an open connection of the condensate hose into the sewage system, see also the picture on page 13. Pressure fluctuations in the sewer system may not affect the pressure in the condensate drain hose, supplied with the siphon

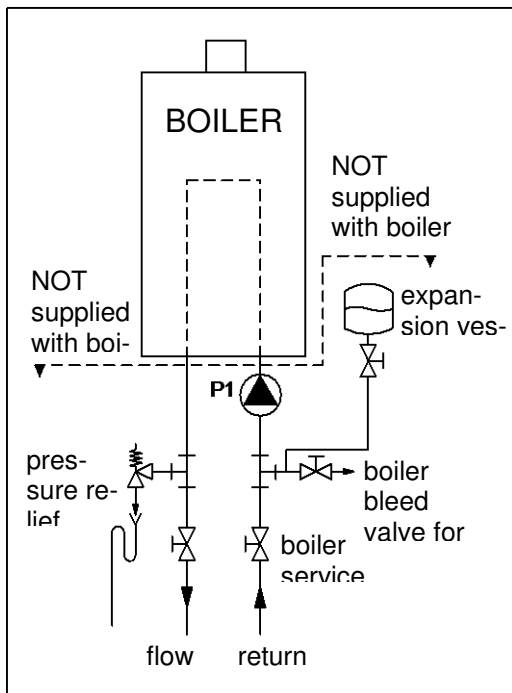
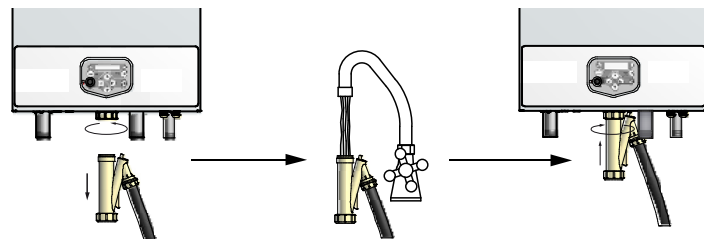


The siphon must be checked at least once a year. Disassemble the siphon and clean every part of it. Check the functioning of the siphon by filling it with water. Then blow into the top condensate inlet, gently increase the pressure. At some point water starts coming out of the siphon outlet. During this the floating ball should gradually drop into its seat. By doing this, the ball closing the outlet (almost) completely.



When mounting the siphon, before commissioning the boiler and/or after maintenance, the siphon must **ALWAYS** be completely filled with water.

This is a safety measure: the water in the siphon keeps the flue gases from leaking out of the heat exchanger via the condensate drain.



6.3. Flow and return connections

In the picture, an example is shown of the installation of the flow and return connections in combination with several functional and/or safety components. The picture does not necessarily contain ALL safety components that may or must be applied → always have the installation carried out by a skilled installer according to all applicable standards and regulations.

It is advised to install two service valves underneath the boiler, so the boiler can be isolated from the heating system, when needed. The valves must be positioned in such a way that no safety components like pressure relief valves and expansion vessels can be isolated from the boiler.

The boiler pump should always be mounted in the return pipe of the boiler.

When using a system pump, this pump should always be mounted in the return pipe of the heating system.

Never use chlorine-based fluxes for soldering any pipes of the water system.

NOTICE: Accessories in the picture are NOT supplied with the boiler.

6.4. *The expansion vessel*

The capacity of the expansion vessel must be selected and based on the capacity of the central heating system and the static pressure. Suggested is to fit the expansion vessel in the return pipe of the central heating system. It can be combined with the drain valve for service.

6.5. *Pressure relief valve*

The boiler has no internal pressure relief valve. This should be installed in the flow pipe of the heating system and close to the boiler. When having cascaded boilers, each boiler should have its own pressure relief valve. It is advised to use a T-piece for this.

Advice is always to install service valves, so the boiler can be isolated from the heating system, when needed. Make sure that the pressure relief valve is mounted between the boiler and the service valves.

The pressure relief valve must always be installed in such a way that it cannot be isolated from the boiler by a valve. The specifications and size of the relief valve should be determined by the installer and must comply with all applicable regulations and boiler capacity.

6.6. *Bypass*

The boiler has no internal bypass. When many thermostatic valves are being used, the system should have a bypass to allow an adequate flow when all thermostatic valves are closed. Instead of a bypass also a low-loss header can be used for this function.

The boiler flow will also be influenced when a pipe of the heating system is frozen/blocked. Make sure all heating pipes are free from the risk of frost. If there is the risk of freezing of the heating system, all the pipe sections must be insulated and/or protected with the help of a tracing.

6.7. *Pump functionality*



- The external pump must be mounted in the return pipe of the boiler.
- The boiler pump must be controlled by the CPM SP116 boiler control. If, for any reason, an external pump control is applied *without written approval of Lochinvar Limited*, the complete warranty on the CPM SP116 boiler and all supplied parts will become invalid.

High efficiency pump (default settings)

The pump is controlled by a PWM signal from the burner controller. It's set point is based on a delta T of 20°C. This means, that when the burner is on full load, delta T = 20°C, and when the burner modulates down, the pump also modulates down keeping delta T 20°C (provided it is still in range of the lowest limit of the pump).

The delta T monitoring parameters have been set so, that a malfunctioning of the pump or an extreme resistance in the hydraulic system will be detected by the burner controller. When the limits of these parameters are exceeded, the display message "dT Block" will be displayed. This message will disappear when the delta T is within limits again, if not the boiler will go into a lock out after 45 seconds and the display will blink with the message "FlowReturn dTfault" (see also § 16.1. , page 104 ff).

ON/OFF pump

If an on/off pump is used, it must be connected to the P3 control (23-24-25).

When this pump has multiple speed settings, make sure it is set at the highest setting and **do not change this setting**. The boiler has an internal pump switch that has a programmable delay before it turns off (also for hot water supply this delay is programmable).

The pump starts running in case of a heat demand. When heat demand stops, the pump will continue to run for a programmed period and after that it will stop. The pump and (when installed) the three-way valve or hot water pump for the calorifier can be activated every 24 hours (for a programmable period). This 24-hour cycle starts as soon as the power supply of the boiler is connected.

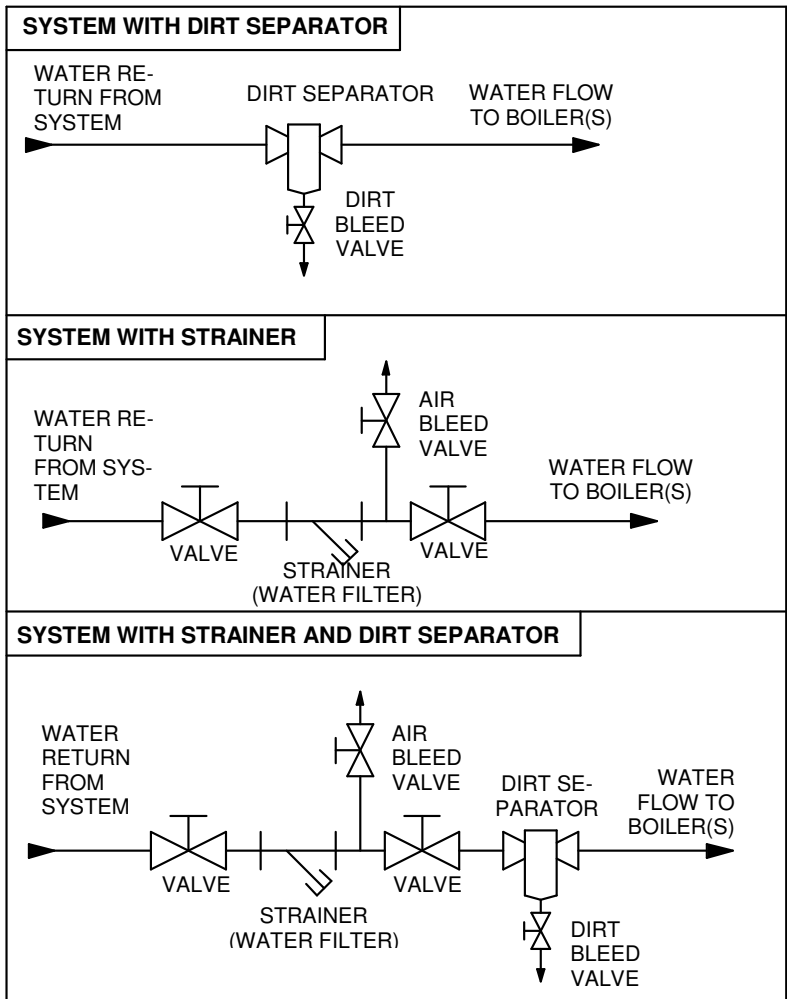
6.8. *Frost protection*

The boiler has a built-in frost protection that is automatically activating the CH pump when the boiler return temperature drops below the 5°C. When the boiler return temperature drops below the 3°C, the burner is also ignited. The pump and/or burner will shut down as soon as the return temperature has reached the 10°C. The mentioned temperatures are related to the temperatures measured by the RETURN sensor of the boiler. This frost protection function will not fire up the boiler in case of a "general blocking" of the burner demand.

NOTICE: This frost protection is only to reduce the risk of frost damage to the boiler, not the whole system.

Be aware that flow restrictions in the system, caused by frozen pipes, will also prevent the water flow, needed for the boiler frost protection function to work. Because it concerns a programmable setting, boiler damage caused by frost/freezing will affect warranty.

6.9. Installing a strainer and/or dirt separator



Always install a strainer (water filter) and/or a dirt separator in the return pipe of the boiler; in such a way that the water going to the boiler is free of any debris/particles. When using a water filter always check a week after installation to determine the strainer cleaning interval. Advice is to mount valves before and after the strainer, including an air bleed valve, so the strainer can be isolated from the heating circuit for service operations. Clean water is very important, blocked and/or polluted heat exchangers, including failures and/or damages caused by this blockage are not covered by the warranty.

6.10. Water quality

The pH value of the water must be within the following limits: $7,5 < \text{pH} < 9,5$. This pH value is reached with the steady conditions. These steady conditions will occur, when after filling the heating system (pH around 7) with fresh water, the water will lose its air because of the air bleeding operation and heating up (dead water conditions).

Water hardness must be within the following limits:
 $3,5^\circ \text{ Clark (50 ppm CaCO}_3) < \text{total hardness} < 10,5^\circ \text{ Clark (150 ppm CaCO}_3)$

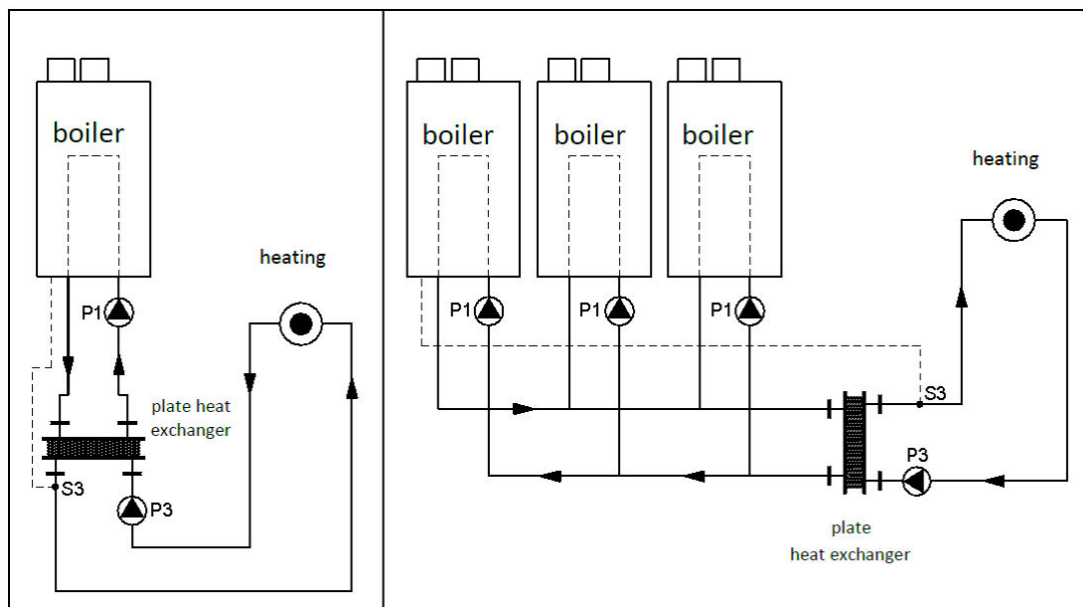
When the water might contain aluminium particles, this should be of a maximum of 8.5 ppm. If there is any risk of contamination of the water by any kind of debris/chemicals in the period after installing, a plate heat exchanger should be used to separate the boiler circuit from the heating circuit (see drawing below).

It is advised to prevent the possible air intake and water leakage of the central heating system. Fresh oxygenated water might damage the heat exchanger of the boiler and should therefore be prevented. Usual spots where air is most likely to seep in are: suction gaskets, pumps, air valve working as a venting pipe, O-rings / gaskets in stuffing box.

6.11. Plastic piping in the heating system

When plastic pipes are used in the central heating system, these should be separated from the boiler system by using a plate heat exchanger. Diffusion (of plastic) can cause air to enter the heating system. Be aware that plastic piping is often used in under floor heating systems. When no measures have been taken to prevent the entrance of air into the boiler system, the warranty of the boiler and any boiler part may be deemed invalid.

If plastic pipe with a built in air barrier designed to stop diffusion is used, this will remove the requirement to use a plate heat exchanger. NOTE all modern plastic piping systems complying to BS7921 have a built in air barrier.



6.12. Automatic air vent

This automatic air vent is only used for bleeding the air from the heat exchanger of the boiler, while filling the system. Externally measures must be taken to bleed air from the heating system, using air separators in combination with automatic air vents.

DE-AERATION PROGRAM. When the unit is fired for the first time the unit starts a de-aeration program. One cycle means 5 seconds pump running and 5 seconds pump off. A complete de-aeration program consists out of THREE cycles. The de-aeration program can be interrupted/stopped by briefly pressing the service button.

6.13. Automatic water filling systems

When using an automatic water refill system some precautions should be taken (fresh water is bringing fresh oxygen into the system), like installing a water meter to measure and evaluate the total water volume that is added to the system. Some form of logging should take place, so that continuously filling of the system with large amounts of oxygen rich fresh water, indicating leakage, is detected in time.

6.14. Water pressure

The installation should be designed and installed to conform to all applicable regulations and standards, including fitting the correct safety valves.

IMPORTANT: Always keep the pressure in the boiler lower than the value at which its safety valve opens.

Sensor

A water pressure sensor has been built into the boiler. With this sensor, the minimum water pressure in the boiler is 0,8 bar and the maximum pressure is up to 4,0 bar (sensor values). The normal water pressure is supposed to be between 1,5 and 2,0 bar.

The pressure sensor will stop the boiler from firing when the water pressure drops below 0.8 bar, and start the boiler firing again when the water pressure reaches above the 1.0 bar. These values can be changed in the boiler control settings.

Higher pressure systems (e.g. in high buildings)

If pressures higher than 4,0 bar occur in the heating system, the best solution is to separate the system from the boiler by means of a plate heat exchanger. Now the boiler pressure can still be under 4,0 bar and the boiler control remains as described above.

Without plate heat exchanger, above 4,0 bar, a water pressure switch has to be built into the boiler instead of the water pressure sensor - the maximum allowed value in the boiler now is 6,0 bar and the boiler control needs to be adjusted.

6.15. Chemical water treatment

The chemical compatibility of several products for treatment of the central heating equipment has been tested on the heat exchangers and the boilers. A list of corrosion inhibitors in preventative and curative treatment for gas fired central heating boilers can be supplied by the Lochinvar.

6.16. Under floor heating

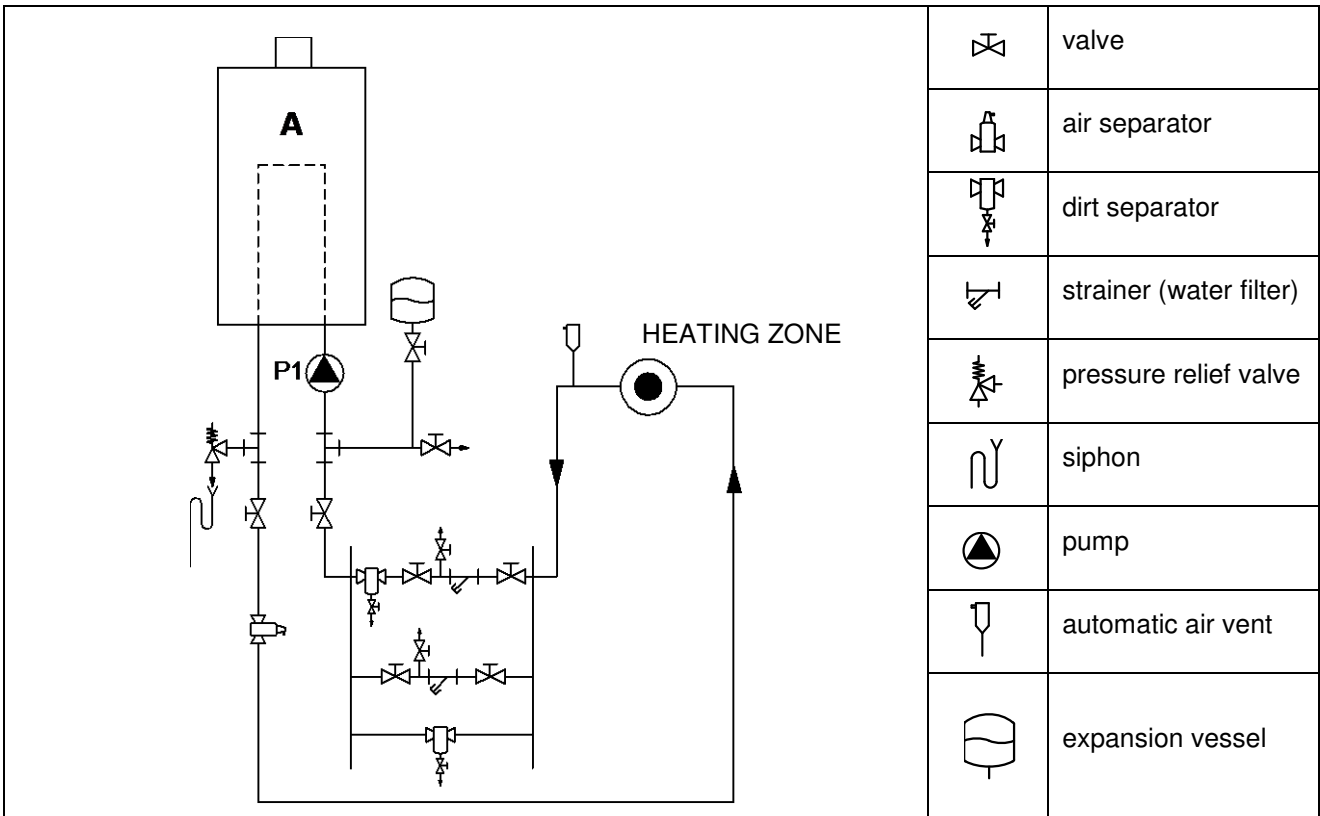
When using an under-floor heating system, the boiler circuit must be separated from the heating circuit with a plate heat exchanger, unless plastic pipe with a suitable air barrier preventing diffusion is used. See 6.11

6.17. Flush the system with fresh water

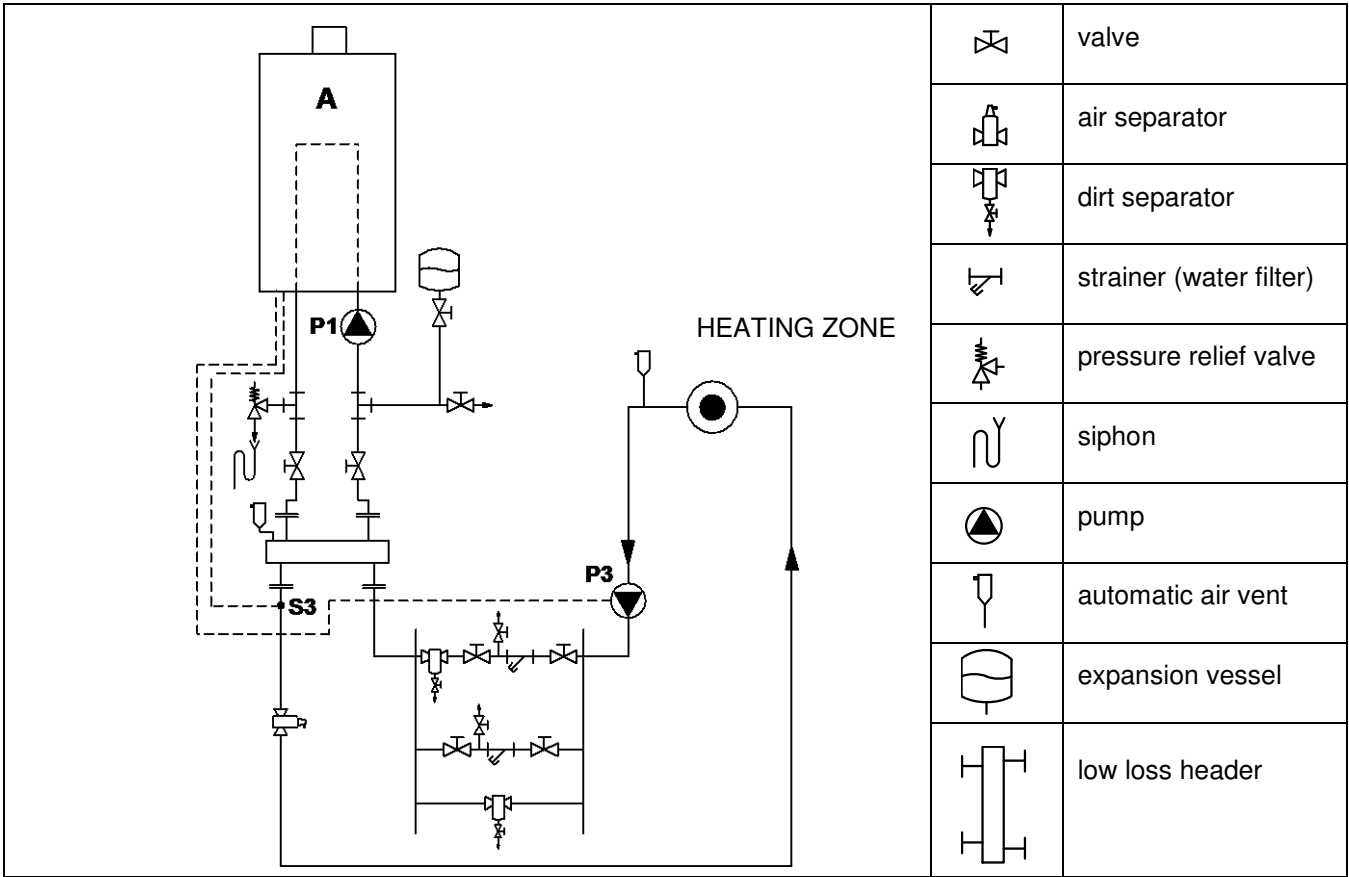
The water of the boiler and heating circuit should be free of any particles, debris and pollution. Therefore, the complete installation must always be thoroughly flushed with clean water before installing and using the boiler(s).

6.18. Installation examples

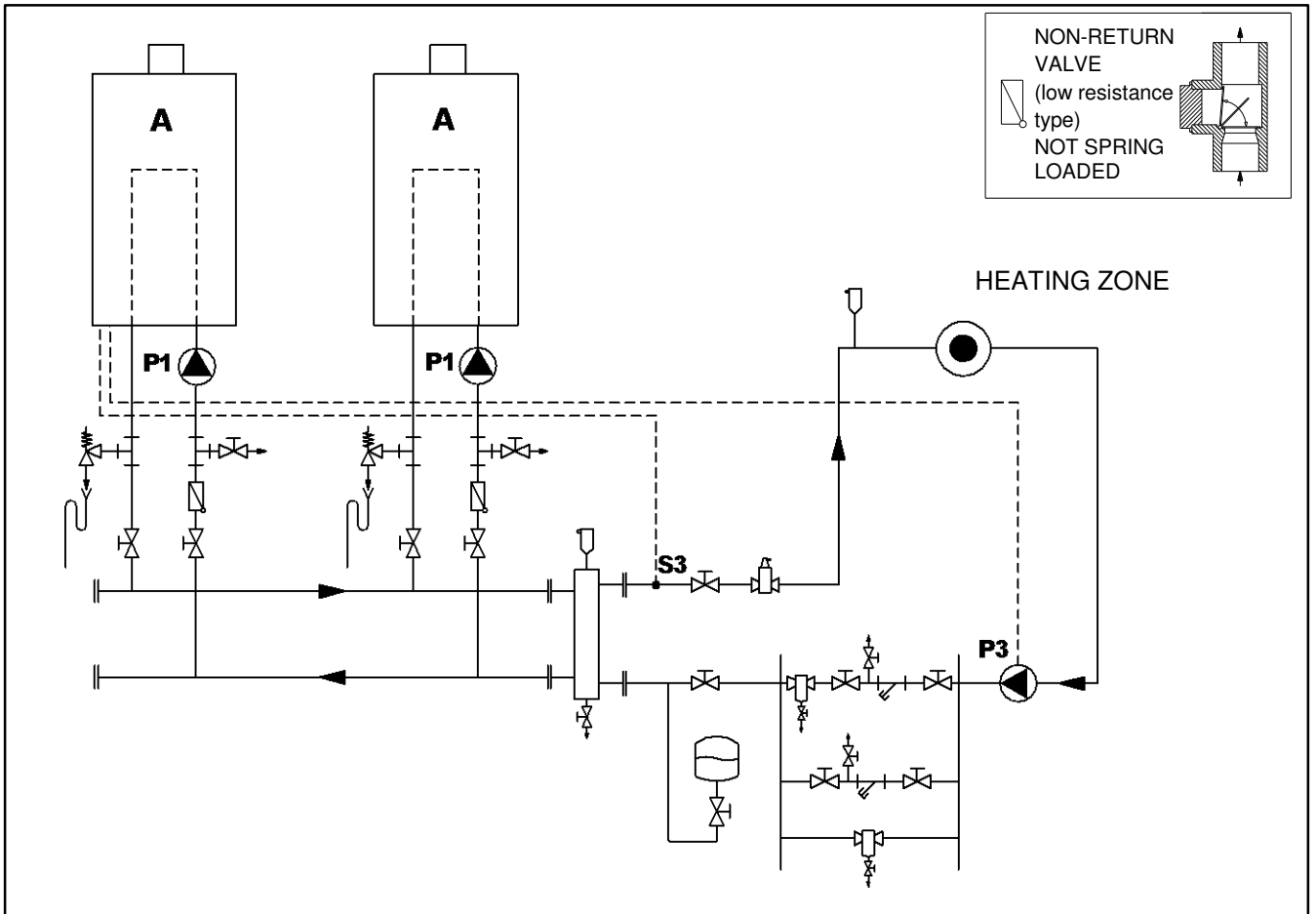
6.18.1. EXAMPLE OF A LOW-RESISTANCE HEATING CIRCUIT



6.18.2. EXAMPLE OF A NORMAL SINGLE BOILER HEATING CIRCUIT (PREFERABLE)



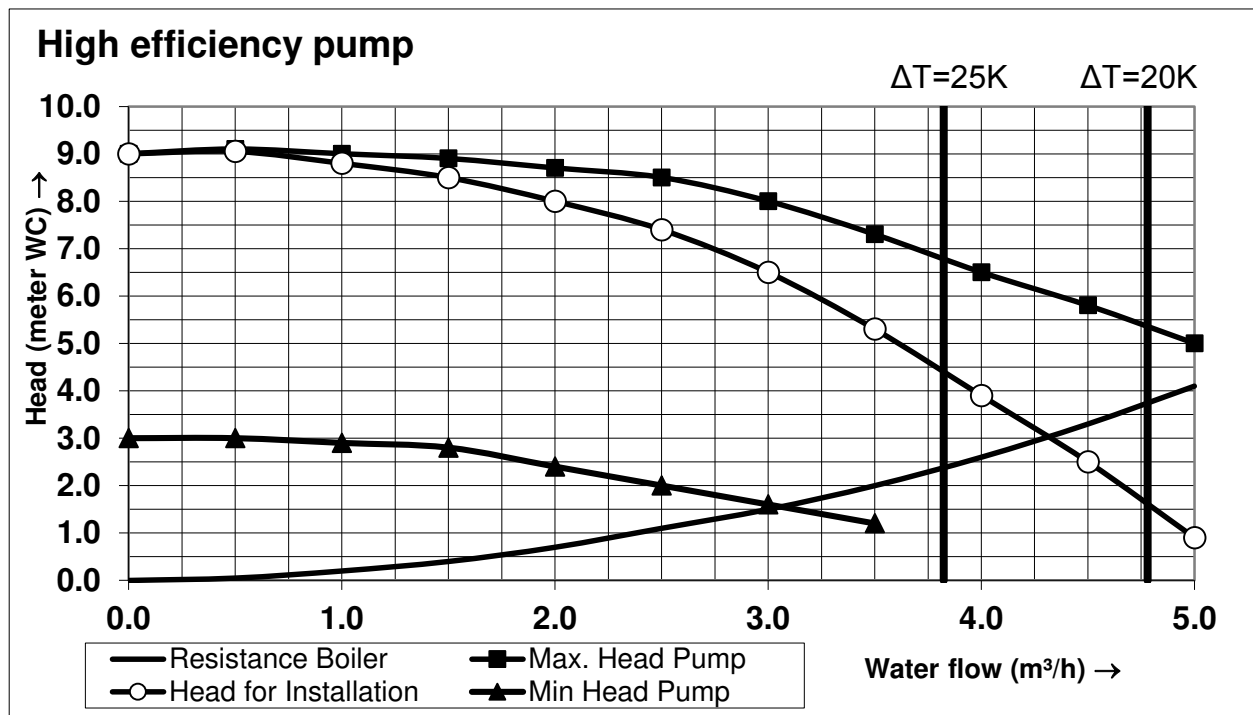
6.18.3. EXAMPLE OF A MULTIPLE BOILER HEATING CIRCUIT



7. HYDRAULIC GRAPH BOILER RESISTANCE (mWC)

7.1. High efficiency pump

The boiler software is set on a modulating pump.



“Head Pump” characteristic line based on the UPML 25-105PWM pump.

In this graph a minimum and a maximum head for the pump are depicted; the pump will modulate between these two levels.

7.2. Pumps: electrical power limits

General

- The inrush current of a conventional pump is approximately $2\frac{1}{2}$ x its nominal current.
- The maximum current, that the relay on the PCB can switch, is 5 A.

The conclusion from this is that nominal currents of pumps, which are controlled by the PCB, may not exceed 2 A.

Pump P1 - boiler pump.

Modulating boiler pump is connected to fixed power supply 30-31-32. Relay P1 is not used.

Pump P2 - calorifier pump.

Pump P2 is a DHWi pump and is used when P4AA = 1, meaning the appliance is an indirect calorifier.

Pump P2 is connected to one fuse of 5 A.

The maximum allowed nominal current of pump P2 is 2 A, again due to inrush current. $P_{\max} = 460$ W.

3 way valve.

The nominal current of the 3-way valve must be smaller than 5 A.

So, the inrush current of the 3-way valve must be lower than 3 A

Pump P3 - system pump.

The nominal current of pump P3 must be equal to or lower than 2 A, implying $P_{\max} = 460$ W.

Warning (EC pumps):

In case of using an electronic commutating pump, the relays 1, 2 or 3 may not be used for the power connection, because of the inrush current of the electronics of the pump.

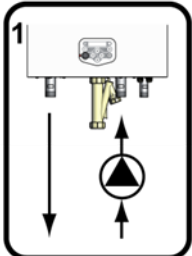
Directly connect the pump to an external power supply.

Control connections of an EC pump can be established in several ways, set by parameter P5BN.

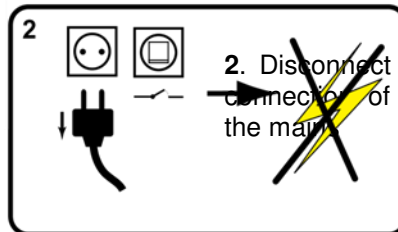
See § 11.1.7 on page 82.

7.3. Pump installation.

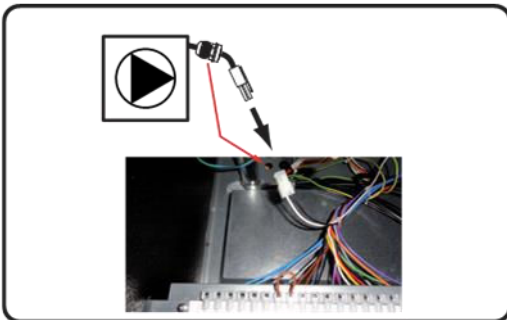
In case of applying the UPML 25-105 PWM pump use below given explanation to install this pump



1. Connect the pump hydraulically to the return connection of the boiler and the system

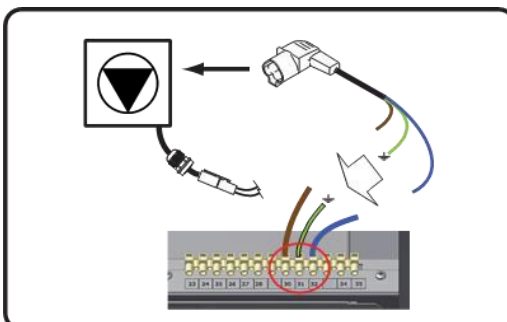


2. Disconnect the electrical connection of the boiler to the mains



3. Use one of the spare holes in the bottom plate of the boiler to assemble the cable gland and pump signal cable.

Connect the pump signal connector to the burner controller connector as shown in the picture.



4. Use one of the spare cable glands in the bottom plate to assemble the cable into the boiler.

Connect the pump mains wires to screw terminals 30, 31 and 32. The connections are placed on top of the display panel and can be accessed by removing the boiler front door and the connector protection cover

8. FLUE GAS DISCHARGE AND AIR SUPPLY SYSTEM

8.1. *General*

The boiler has a positive pressure flue system. The available combined pressure drop for the inlet and outlet system is **160 Pa**.

Notice:

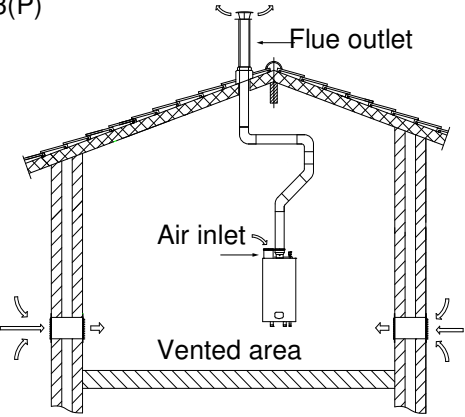
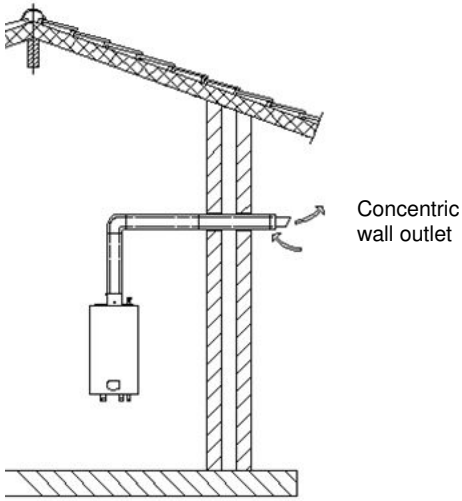
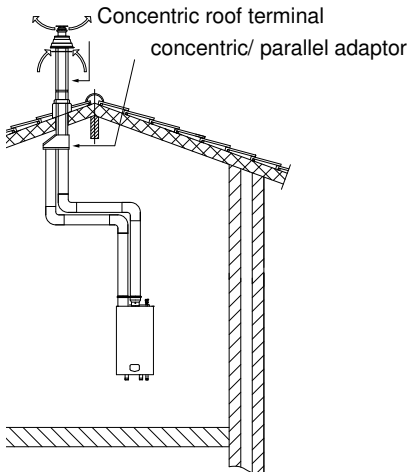
- Install the horizontal flue components with a 3% fall in the direction of the boiler (about five centimetres for every linear meter). When not installed accordingly it may result in condensation building up in the flue gas tube which may cause component failure.
- It is preferable to use roof terminals. Because of the high capacity, using wall terminals on the CPM SP116 can give large flue gas plumes. When installed correctly, roof terminals in general give a better flue gas dilution with the surrounding air, and a good transport away from the surroundings and the air inlet. This is valid for concentric roof terminals and for a separate air inlet nearby a separate flue gas outlet.
- When using a wall terminal, there is a risk of ice building-up on surrounding parts/structures, because the condensate may freeze. This risk should be taken into account during the design phase of the heating installation.

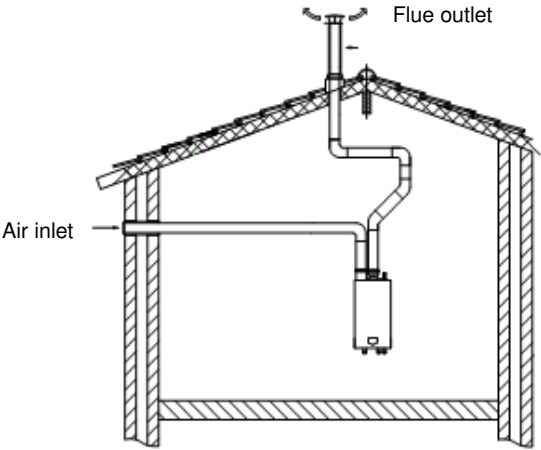
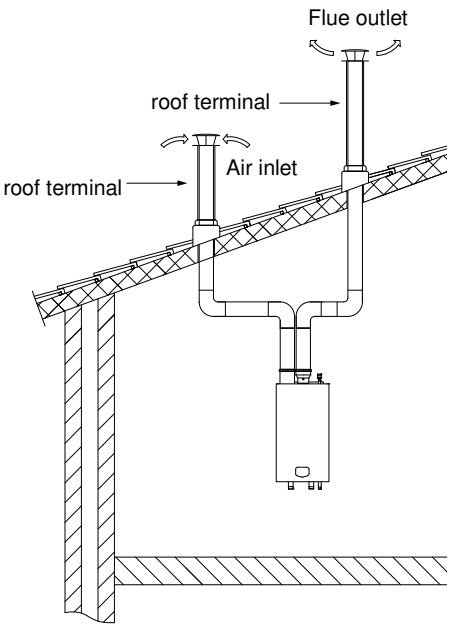
Note.

Because the flue gases can have a low temperature, the boiler needs to have a high efficiency approved stainless steel or plastic flue system. These materials, including the gaskets, should be usable for positive pressure flue gas systems and have a temperature class of **T120**.

8.2. Boiler categories - types of flue gas systems.

For C43 and C83 see cascade manual available from Lochinvar Limited

Type according EN 15502-2-1: 2012	Performance	Description
<p>B23(P)</p> 	<p>Open Air supply from room</p>	<ul style="list-style-type: none"> * Roof terminal * Without draught diverter * Boiler room air supply. * P = overpressure systems <p>See chapter: Accessories – Flue gas and air supply parts - TWIN PIPE</p> <p>See: Six typical examples - example C</p> <p>Be aware: The installation room has to have sufficient air supply vents. These vents must be open and may not be closed or blocked.</p> <p>Requirements at NEN 3028 paragraph 6.5</p>
<p>C13</p> 	<p>Closed Air supply from outside</p>	<ul style="list-style-type: none"> *Wall outlet. *Air supply inlet and flue gas outlet at the same air pressure zone. (a combined wall outlet e.g.). <p>When used with separated air supply inlet and flue gas outlet the outlets have to be within a square of 100 cm</p> <p>See chapter: Accessories – Flue gas and air supply parts - CONCENTRIC</p> <p>See: Six typical examples - example E</p>
<p>C33</p> 	<p>Closed Air supply from outside</p>	<ul style="list-style-type: none"> * Flue terminal at the roof. * Air supply inlet and flue gas outlet located at the same air pressure zone (a combined roof terminal e.g.). <p>When used with separated air supply and flue gas outlet the outlets have to be within a square of 100 cm And the distance between the planes of the two transits must be smaller as 100 cm</p> <p>See chapter: Accessories – Flue gas and air supply parts - TWIN PIPE</p> <p>See: Six typical examples - example B</p>

<p>C53</p> 	<p>Closed Air supply from outside</p>	<p>*Separate air supply duct *Separate flue gas discharge duct. * Air supply inlet and flue gas outlet at different air pressure zones. But not at opposite walls.</p> <p>See chapter: Accessories – Flue gas and air supply parts - TWIN PIPE</p> <p>See: Six typical examples - example F</p>																				
<p>C63 - example</p> 	<p>Closed Air supply from outside</p>	<p>* Appliance sold without flue/air-inlet ducts * The flue gas parts are not part of the boiler. The boiler is intended to be connected to a separately approved and marketed system for the supply of combustion air and discharge of combustion products. Condensate is allowed to go to the boiler. * Air supply inlet and flue gas outlet not at opposite walls * Technical data:</p> <table border="1" data-bbox="973 974 1396 1294"> <tr> <td>nominal $T_{\text{flue gas}}$</td> <td>85°C</td> </tr> <tr> <td>nominal $Q_{\text{flue gas}}$</td> <td>57,7 g/s</td> </tr> <tr> <td>maximum $T_{\text{flue gas}}$</td> <td>95°C</td> </tr> <tr> <td>min. load $T_{\text{flue gas}}$</td> <td>35°C</td> </tr> <tr> <td>min. load $Q_{\text{flue gas}}$</td> <td>11,6 g/s</td> </tr> <tr> <td>nominal % CO_2</td> <td>9,0 %</td> </tr> <tr> <td>max. allowed draft</td> <td>70Pa</td> </tr> <tr> <td>max. pressure drop in-let-outlet</td> <td>160Pa</td> </tr> <tr> <td>max $T_{\text{air supply}}$</td> <td>40°C</td> </tr> <tr> <td>max recirculation</td> <td>10%</td> </tr> </table> <p>1) tabel technical specifications</p> <p>See chapter: Accessories - Flue gas and air supply parts - TWIN PIPE See: Six typical examples - example A</p>	nominal $T_{\text{flue gas}}$	85°C	nominal $Q_{\text{flue gas}}$	57,7 g/s	maximum $T_{\text{flue gas}}$	95°C	min. load $T_{\text{flue gas}}$	35°C	min. load $Q_{\text{flue gas}}$	11,6 g/s	nominal % CO_2	9,0 %	max. allowed draft	70Pa	max. pressure drop in-let-outlet	160Pa	max $T_{\text{air supply}}$	40°C	max recirculation	10%
nominal $T_{\text{flue gas}}$	85°C																					
nominal $Q_{\text{flue gas}}$	57,7 g/s																					
maximum $T_{\text{flue gas}}$	95°C																					
min. load $T_{\text{flue gas}}$	35°C																					
min. load $Q_{\text{flue gas}}$	11,6 g/s																					
nominal % CO_2	9,0 %																					
max. allowed draft	70Pa																					
max. pressure drop in-let-outlet	160Pa																					
max $T_{\text{air supply}}$	40°C																					
max recirculation	10%																					

8.3. C63 certified

In general, boilers are certified with their own flue gas material. For type B23, C13, C33, C43, C53, C83 systems, only use flue gas and air supply parts approved according §4.2 and §4.3.

If a boiler is C63 certified, no specific type flue gas material has been certified in combination with the boiler. In this case the flue gas and air supply parts should comply with the applicable European standards (EN14989).

So, for type C63 systems flue gas and air supply parts from other suppliers can be used. It must be able to handle the condensate forming (W) and transport, overpressure (P1) and must have a minimum temperature class of **T120**. Also, it has to meet the requirements in the following chapters "air supply" and "flue terminal".

CE string flue gas material	European standard	Temperature class	Pressure class	Resistance to condensate	Corrosion resistance class	Metal: liner specifications	Soot fire resistance class	Distance to combustible material	Plastics: location	Plastics: fire behaviour	Plastics: enclosure
min. req. PP	EN 14471	T120	P1	W	1		O	30	I of E	C/E	L
min. req. SS	EN 1856-1	T120	P1	W	1	L20040	O	40			

A few examples of flue gas material suitable for CPM-SP boilers:

CE String for Plastic PPs: EN14471 T120 P1 W 2 O(30) I C/E L

CE String for Stainless Steel: EN1856-1 T250 P1 W V2-L50040 O (50)

When selecting flue gas systems, be aware that the minimum requirements are met. So only select flue gas materials having the same or better properties than this table.

All flue systems supplied by Lochinvar for the CPM-SP are PP.



Never use aluminium containing flue gas pipes in these boilers.

Connecting diameters and tolerances:

mat	boiler	d _{nom}	D _{outside}	d _{inside}	L _{insert}
SS	CPM SP116	100	100 +0,3/ -0,7	101 +0,3/ -0,3	50 +2/ -2
PP	CPM SP116	100	100 +0,6/ -0,6		50 +20/ -2

Multiple boilers can be connected to a common duct. These flue gas systems for multiple boiler installations must always be engineered as zero or negative pressure systems; this to prevent the risk of recirculation of the flue gases. Consult the flue gas supplier for detailed information and engineering. See also the cascade manual for these multiple boiler installations available from Lochinvar Limited.

8.4. Air supply

When an air supply duct is connected from the outside of the building to the boiler, the boiler will operate as a room-independent boiler (closed boiler). The air supply duct can be made of:

- PVC / PP
- Thin-walled aluminium
- Stainless steel

8.4.1. COMBUSTION AIR QUALITY

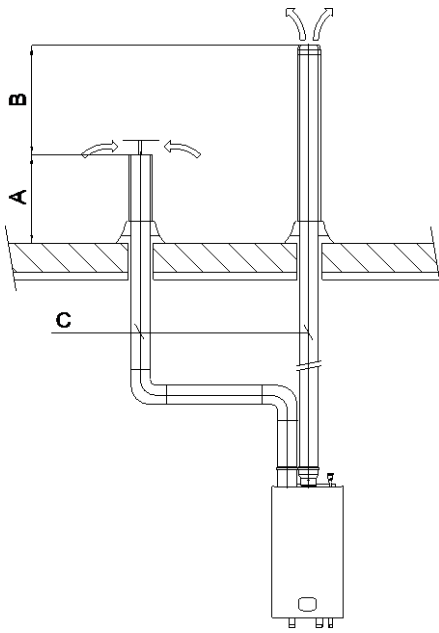
Combustion air must be free of contaminants. For example: chlorine, ammonia and/or alkali agents, dust, sand and pollen. Notice that installing a boiler near a swimming pool, a washing machine, laundry or chemical plants does expose combustion air to these contaminants.

8.4.2. AIR SUPPLY THROUGH HUMID AREAS

When the supply duct will be placed in a boiler room with moist air (for example: greenhouses), a double walled supply duct or an insulated duct must be used to prevent the possible condensation at the outside of the duct. It is not possible to insulate the internal air pipes of the boiler and therefore condensation at the internal air canals must be prevented.

When roof mounted, the air supply duct needs to be protected against rain, so no water will be entering the boiler. No water is allowed to enter the boiler through the air inlet canal at any time.

8.5. Pipe heights on a flat roof



Height A

This is the height of the air inlet. A rain hood should prevent rain-water entering the air supply system.

When the inlet and outlet are mounted on a flat roof, the inlet should be at least 60 cm above the roof surface and at least 30 cm above the maximum snow level.

Example 1:

When the maximum snow level on the roof surface is 45 cm then the air inlet should be at $45+30=75$ cm. 75 cm is more than the minimum 60 so the height will be 75 cm.

Example 2:

When the maximum snow level on the roof surface is 15 cm then the air inlet should be at $15+30=45$ cm. 45 cm is less than the minimum 60 cm so the height will be 60 cm.

Height difference B

This is the distance between the flue outlet and the air inlet.

The flue gas outlet should be at least 70 cm above the air inlet. It is advised to be equipped with a conical outlet.

When no air inlet connection is applied on the roof, the flue outlet should be situated at least 100 cm above the roof surface.

Distance C

The horizontal distance between the flue gas discharge pipe and air inlet pipe at roof level.

This distance should be at least 70 cm.

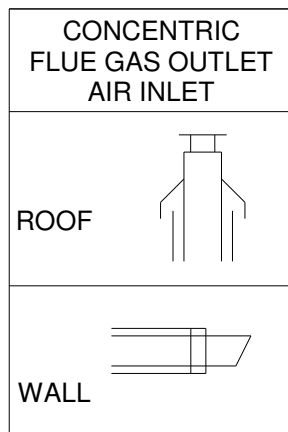
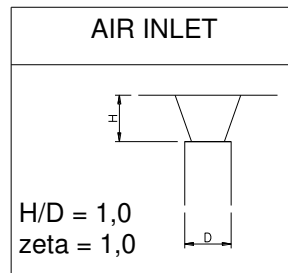
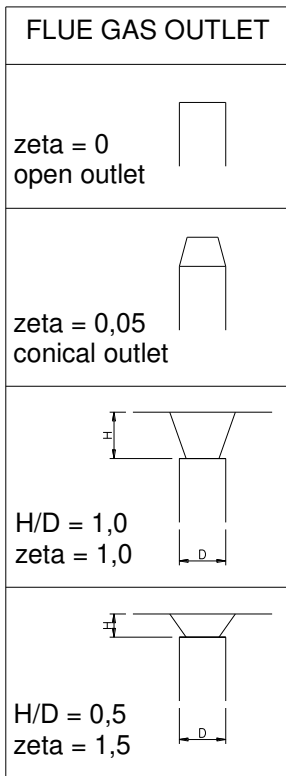
8.6. Flue gas outlet & combustion air inlet calculation examples

For six typical flue gas outlet & air inlet configurations the maximum lengths of the straight pipes will be calculated. First the general component values are given in the next table:

Component	Resistance R [Pa]		
	* twin pipe Ø 100		* conc. Ø 100/150
	flue	air	
straight tube/m	6,5	4,0	10
45° bend	3,2	2,0	9,0
90° bend	6,5	4,0	13
roof terminal zeta = 0,05	1,1		
roof terminal zeta = 1,0	22,1	16,7	
roof terminal zeta = 1,5	33,2		
roof terminal concentric			45
wall terminal			24
concentric/TP adaptor			22

*** Do NOT reduce pipe diameters relative to boiler connection diameter.**

Zeta values:



NOTICE: This table can only be used for a single flue/air system for one boiler. Do NOT use this table for common flue systems with cascaded boilers.

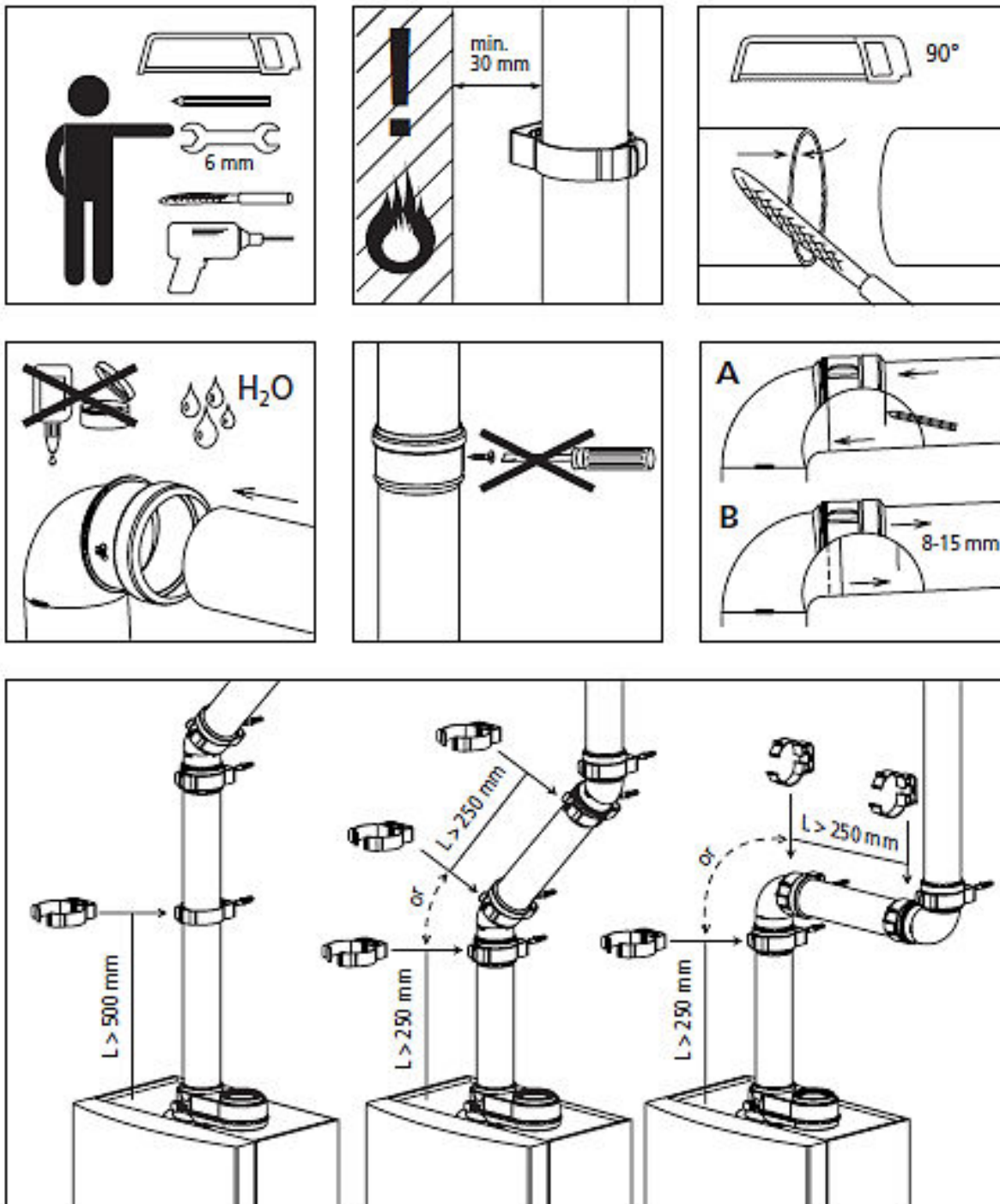
8.7. **Six typical examples**

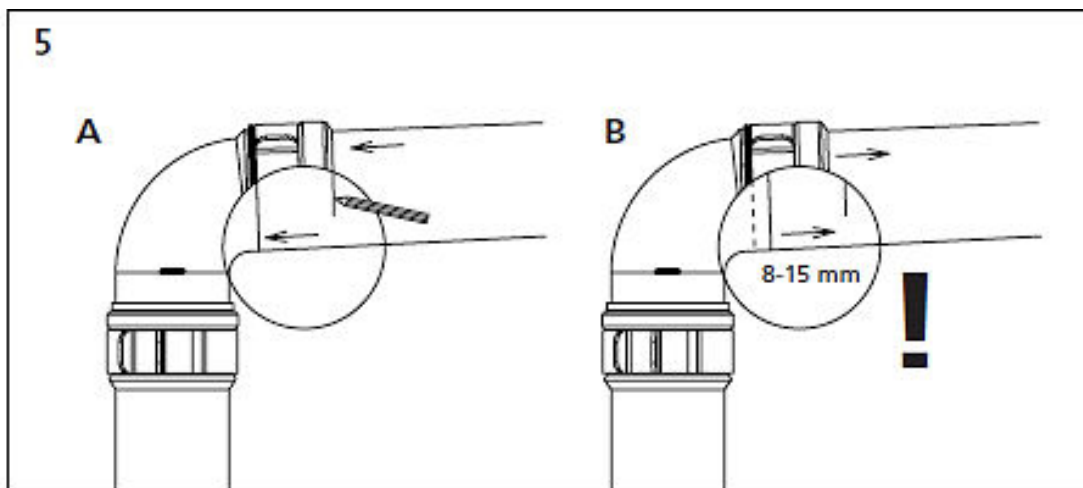
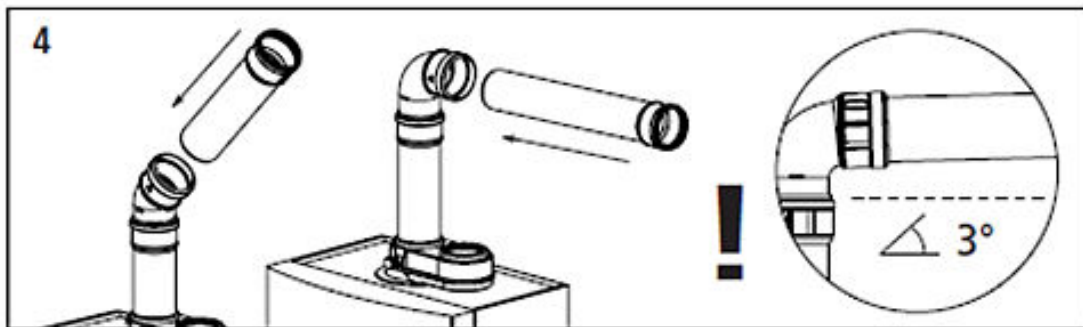
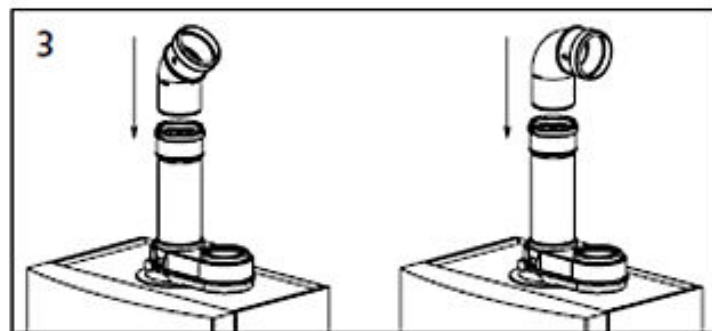
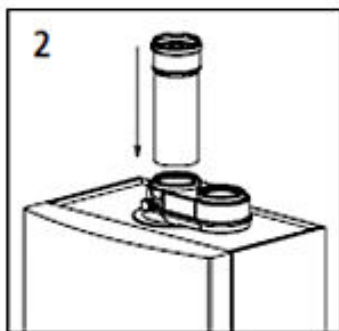
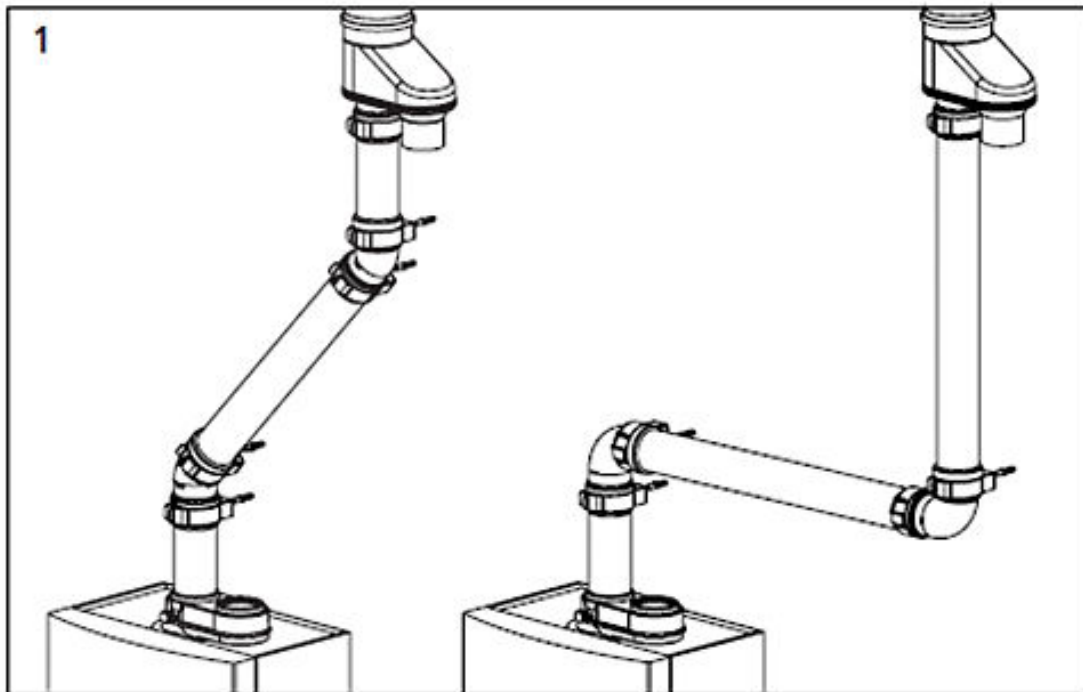
- | | | |
|-----------|--|------------|
| A: | Twin pipe system with separate pipes for flue gas and air supply | C63 |
| B: | Twin pipe system with separate pipes and concentric roof terminal | C33 |
| C: | Single pipe for flue gas outlet only (air supply from boiler room) | B23 |
| D: | Concentric pipe for flue gas/air supply (roof-mounted) | C33 |
| E: | Concentric pipe for flue gas/air supply (wall-mounted) | C13 |
| F: | Separate air supply duct & flue duct in different pressure zone | C53 |

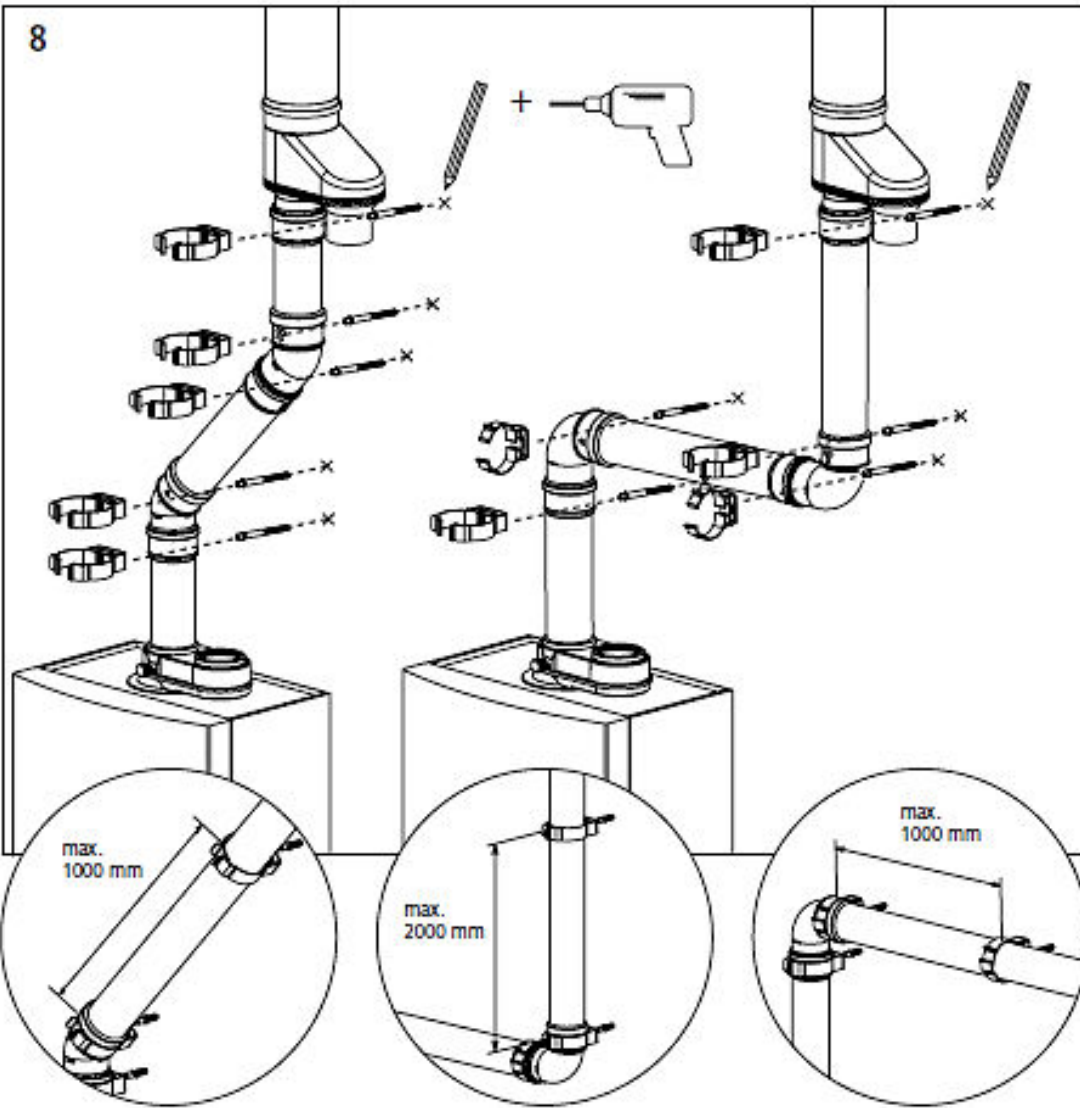
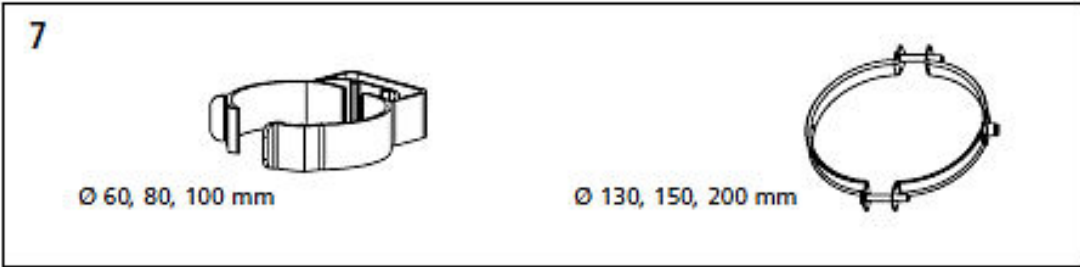
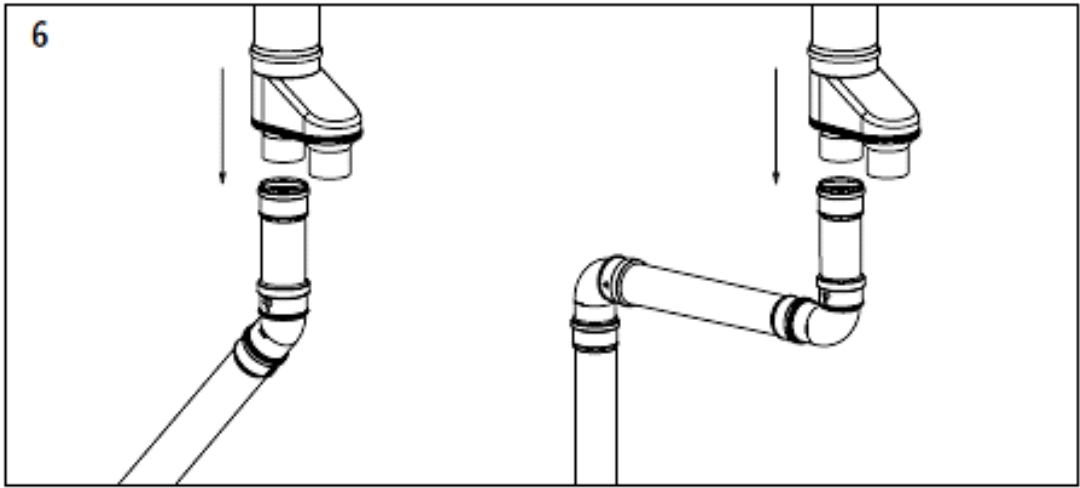
8.7.1. GENERAL TWIN-PIPE INSTALLATION GUIDELINES

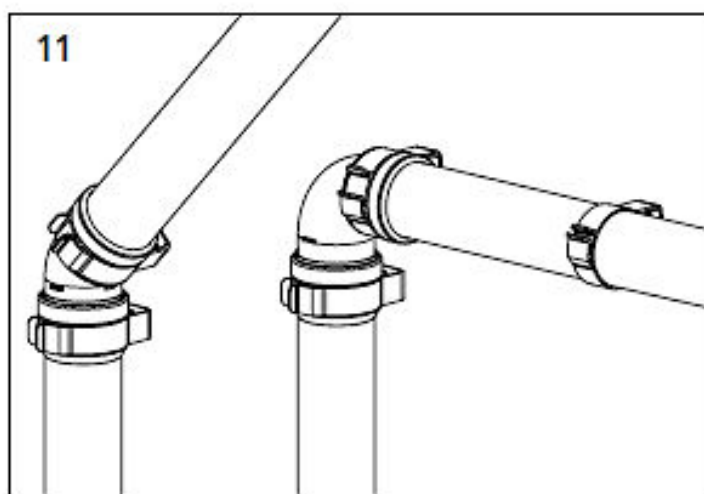
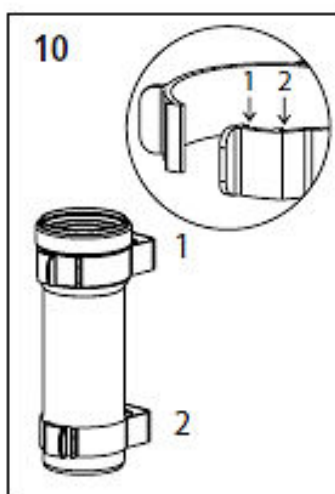
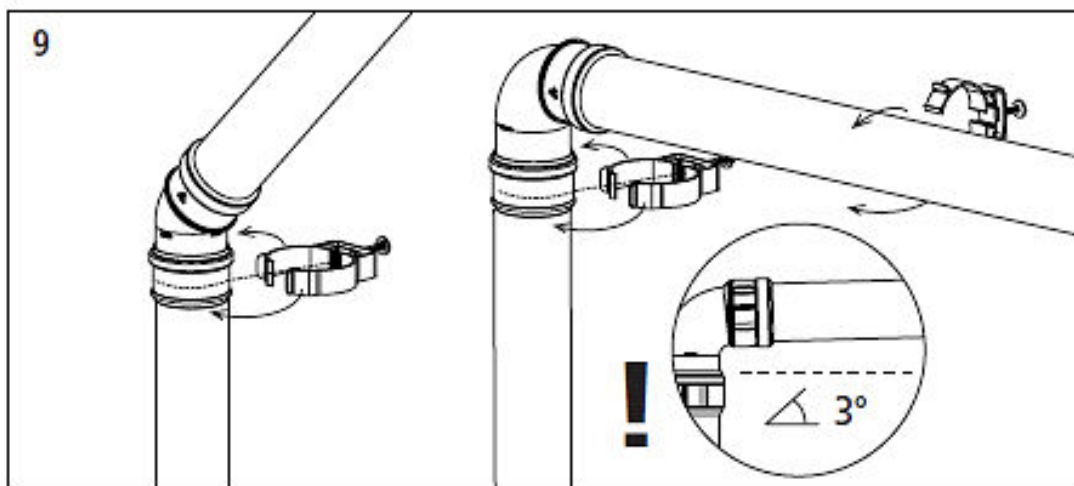


The images shown below may not represent the equipment supplied, images and instructions are for general guidance only

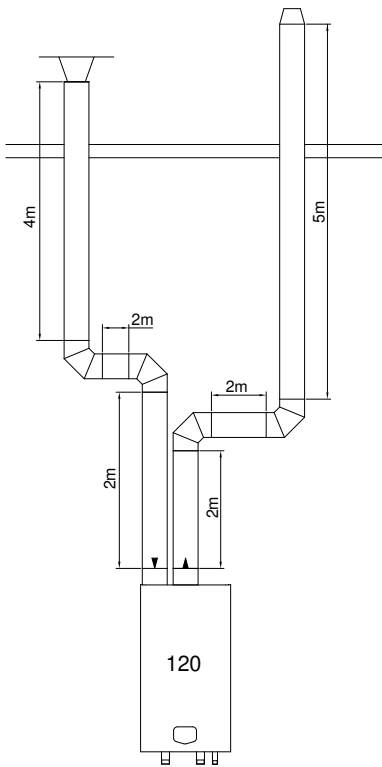








8.7.2. EXAMPLE A: TWIN PIPE SYSTEM (C63)



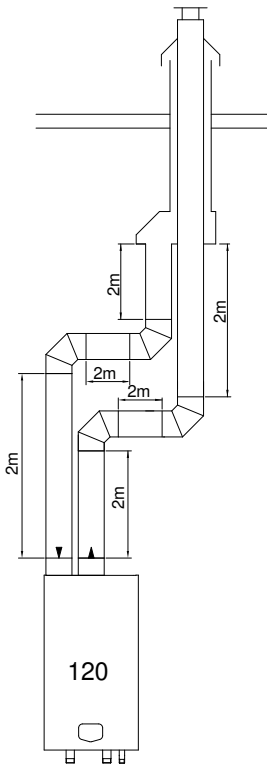
Calculation example with given lengths: checking resistance

Boiler type:		CPM SP116			
Flue gas	Diameter:	100 mm	Number	Pa	Pa total
	Straight tube m ¹	total	9	6,5	58,5
	Bend	90°	2	6,5	13,0
	Flue outlet	conical	1	22,1	22,1
	Total resistance flue gas outlet:				93,6
Air supply	Diameter:	130 mm	Number	Pa	Pa total
	Straight tube m ¹	total	8	4	32
	Bend	90°	2	4	8
	Air inlet	H/D = 1,0	1	16,7	16,7
	Total resistance air supply:				56,7
Total resistance flue gas outlet and air supply:					150,3 Pa

The total resistance is less than 160 Pa. This flue gas / air supply system is functional.

Be aware: Lochinvar Ltd specific resistance values are used in this example. Flue and air pipes of other supplier can have other values

8.7.3. EXAMPLE B: TWIN PIPE SYSTEM WITH CONCENTRIC ROOF TERMINAL (C33)



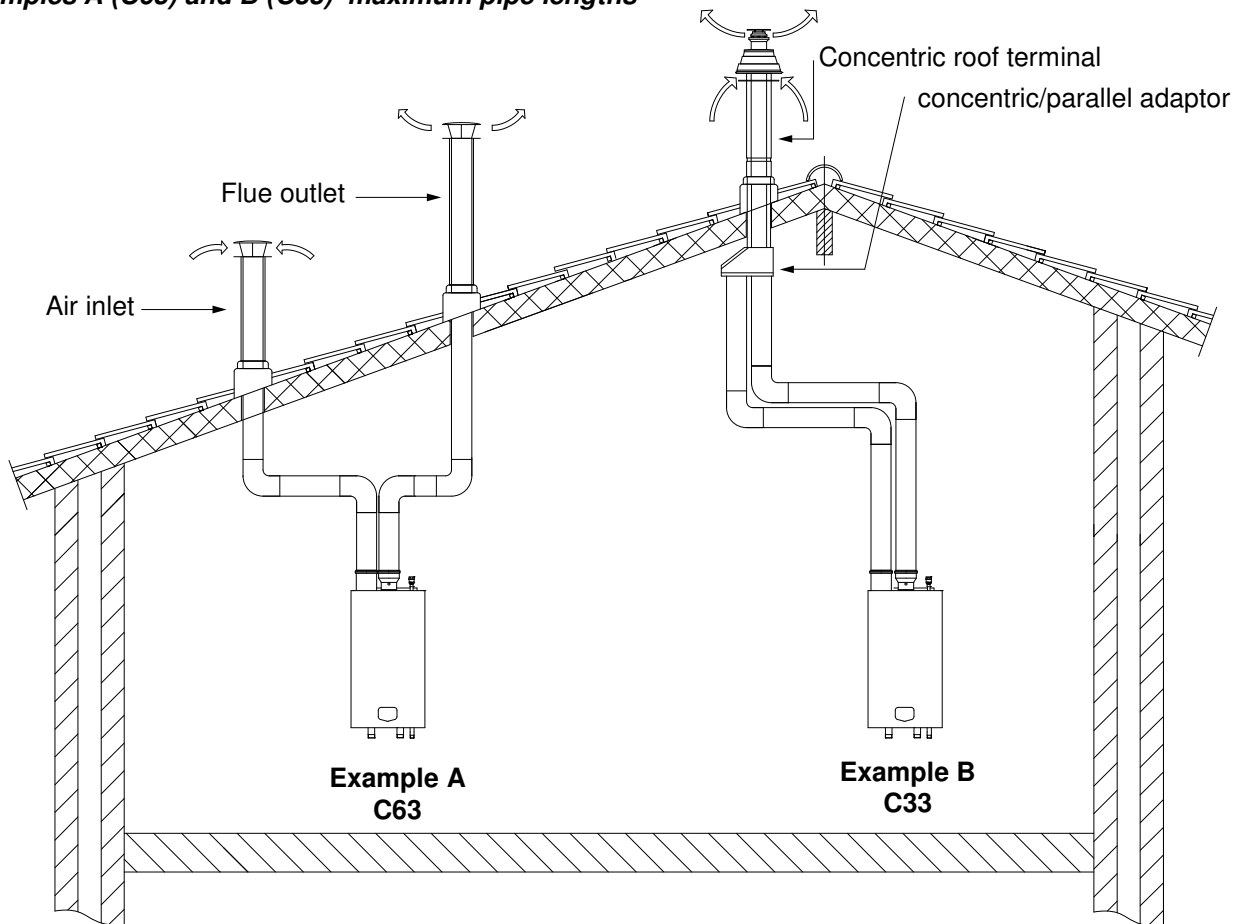
Calculation example with given lengths: checking resistance

Boiler type:		CPM SP116			
Flue gas	Diameter:	100 mm	Number	Pa	Pa total
	Straight tube m ¹	total	6	6,5	39
	Bend	90°	2	6,5	13
	Roof terminal	concentric 150/100	1	45	45
	Adaptor conc./par.	150/100	1	22	22
	Total resistance flue gas outlet:				119
Air supply	Diameter:	100 mm	Number	Pa	Pa total
	Straight tube m ¹	total	6	4	24
	Bend	90°	2	4	8
Total resistance air supply:				32	
Total resistance flue gas outlet and air supply:					151 Pa

The total resistance is less than 160 Pa. This flue gas / air supply system is functional.

Part number. roof terminal: LV310754B - PP

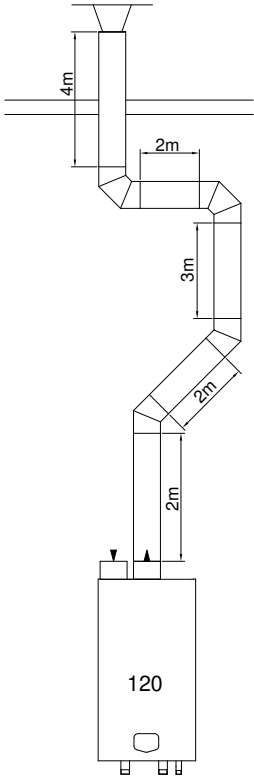
Examples A (C63) and B (C33) maximum pipe lengths



Example A (C63)		
	boiler type →	CPM SP116
Diameter air inlet	[mm]	100
Diameter flue outlet	[mm]	100
Diam. roof terminals	[mm]	100
Maximum pipe length (inlet + outlet together)	[m]	15,0

Example B (C33)		
	Boiler type →	CPM SP116
Diameter air inlet	[mm]	100
Diameter flue outlet	[mm]	100
Diam. roof terminals	[mm]	100/150
Maximum pipe length (inlet + outlet together)	[m]	11
Part no. concentric roof terminal PP.		LV310754B

8.7.4. EXAMPLE C: SINGLE FLUE GAS OUTLET. AIR SUPPLY FROM BOILER ROOM

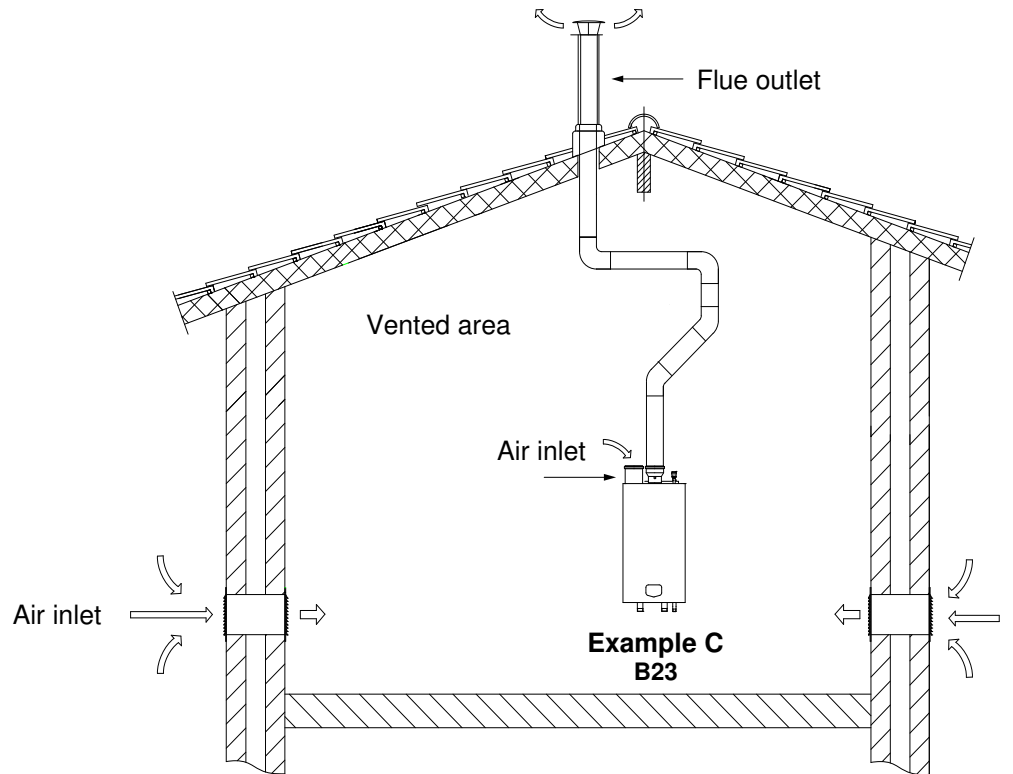


Calculation example with given lengths: checking resistance

Boiler type:		CPM SP116		
Flue gas	Diameter: 100 mm	Number	Pa	Pa total
	Straight tube m ¹	total	13	6,5
	Bend	45°	2	3,2
	Bend	90°	2	6,5
	Flue outlet	H/D = 1,0	1	22,1
Total resistance flue gas outlet:				126

The total resistance is less than 160 Pa. This flue gas / air supply system is functional.

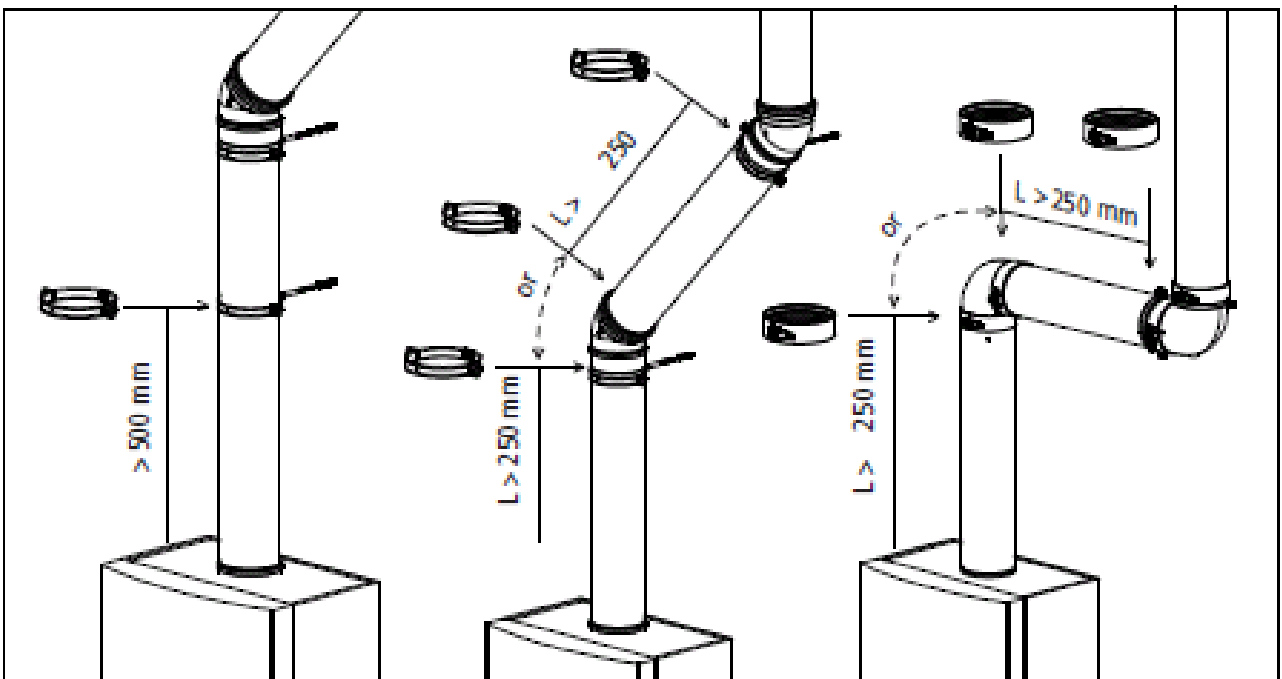
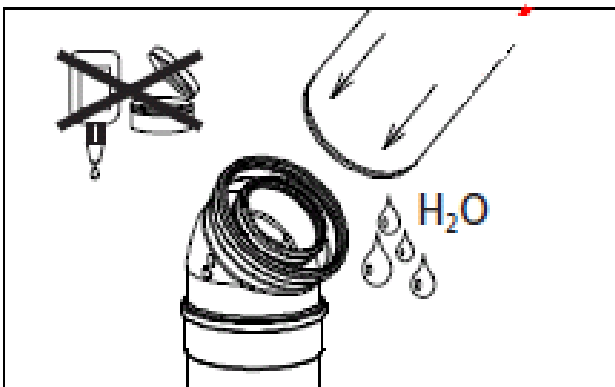
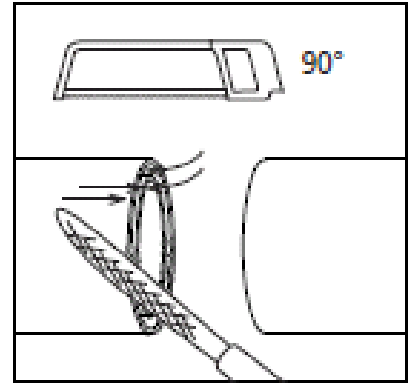
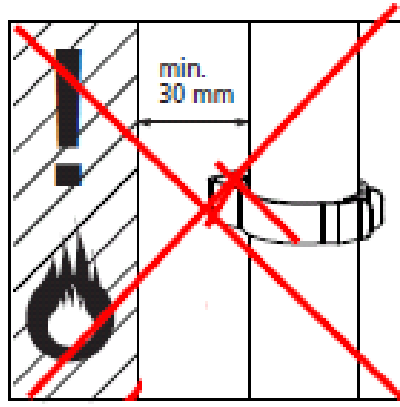
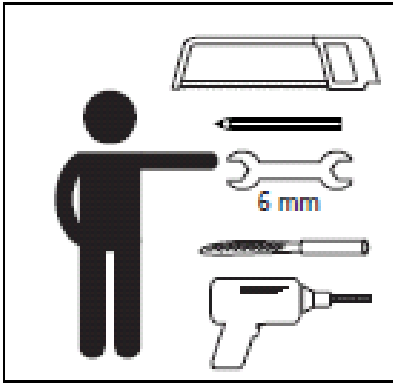
Part number. roof terminal: LV310754B - PP, concentric

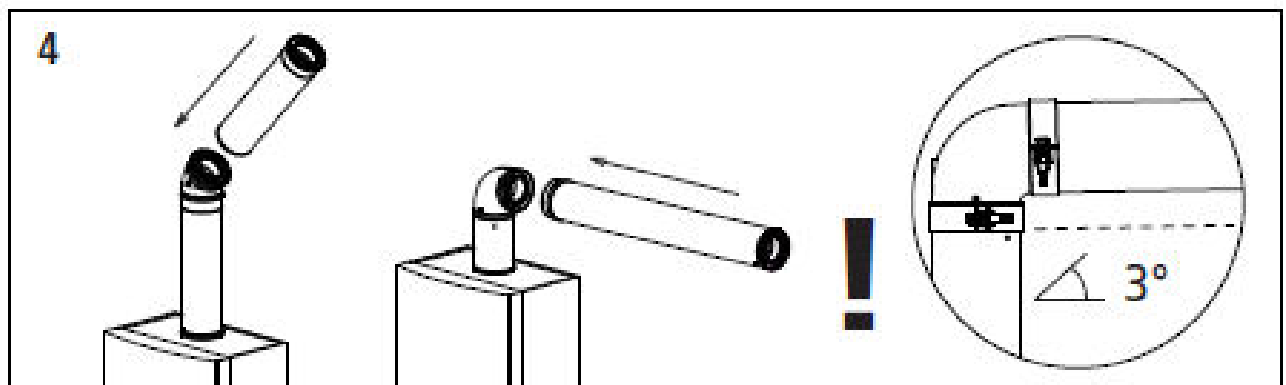
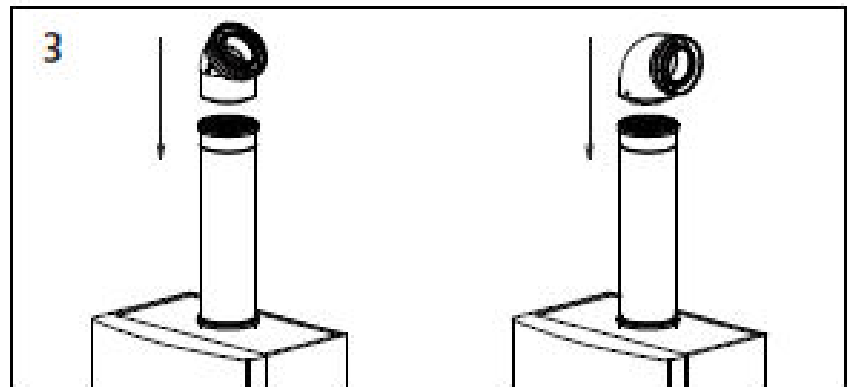
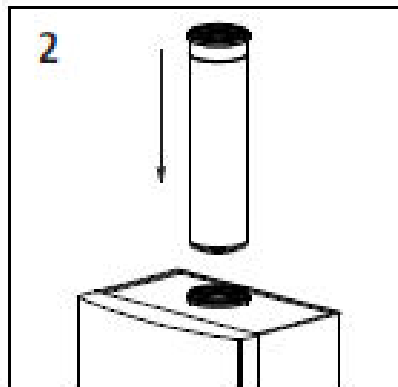
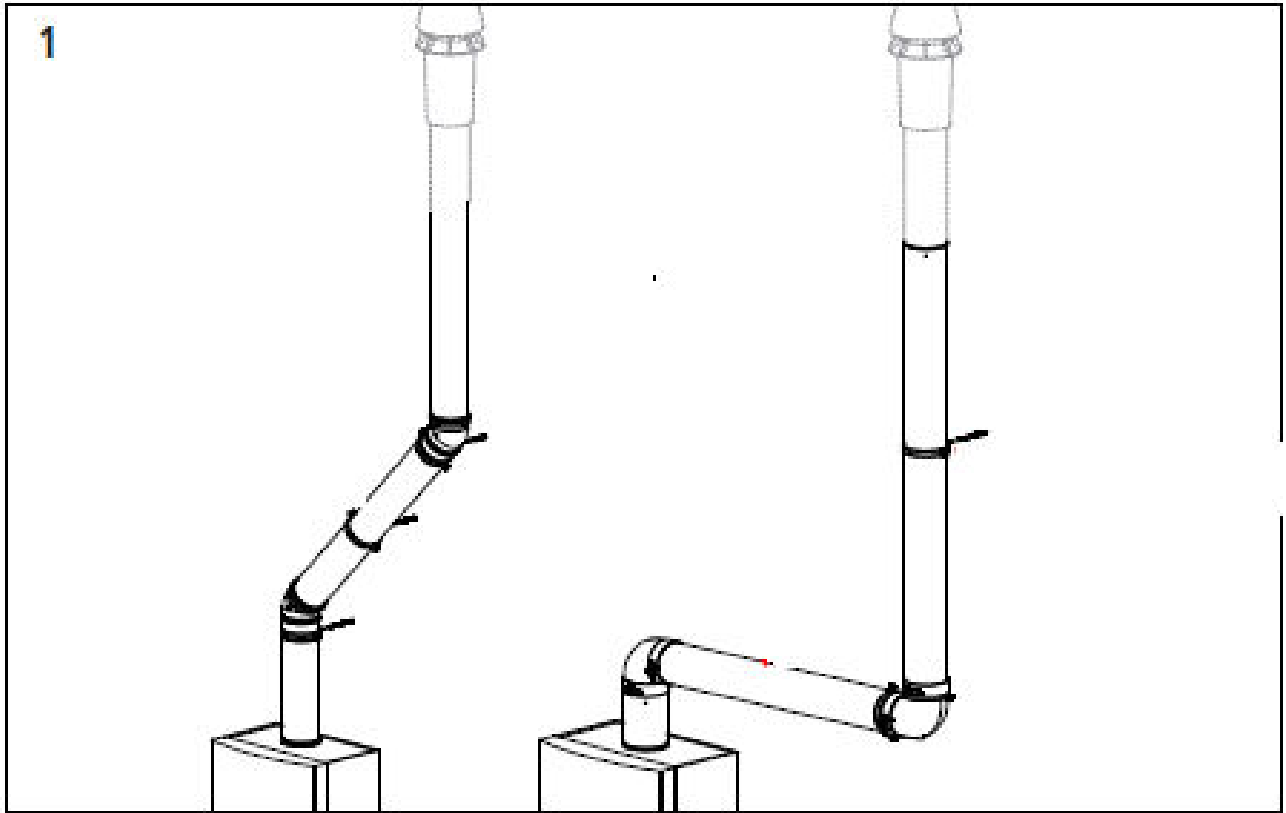


Example C (B23)		
boiler type →		CPM SP116
Diameter air inlet	[mm]	100
Diameter flue outlet	[mm]	100
Diam. roof terminal	[mm]	100
Maximum pipe length	[m]	18
(total outlet length)		
Part no. roof terminal: PP, conc:		LV310754B

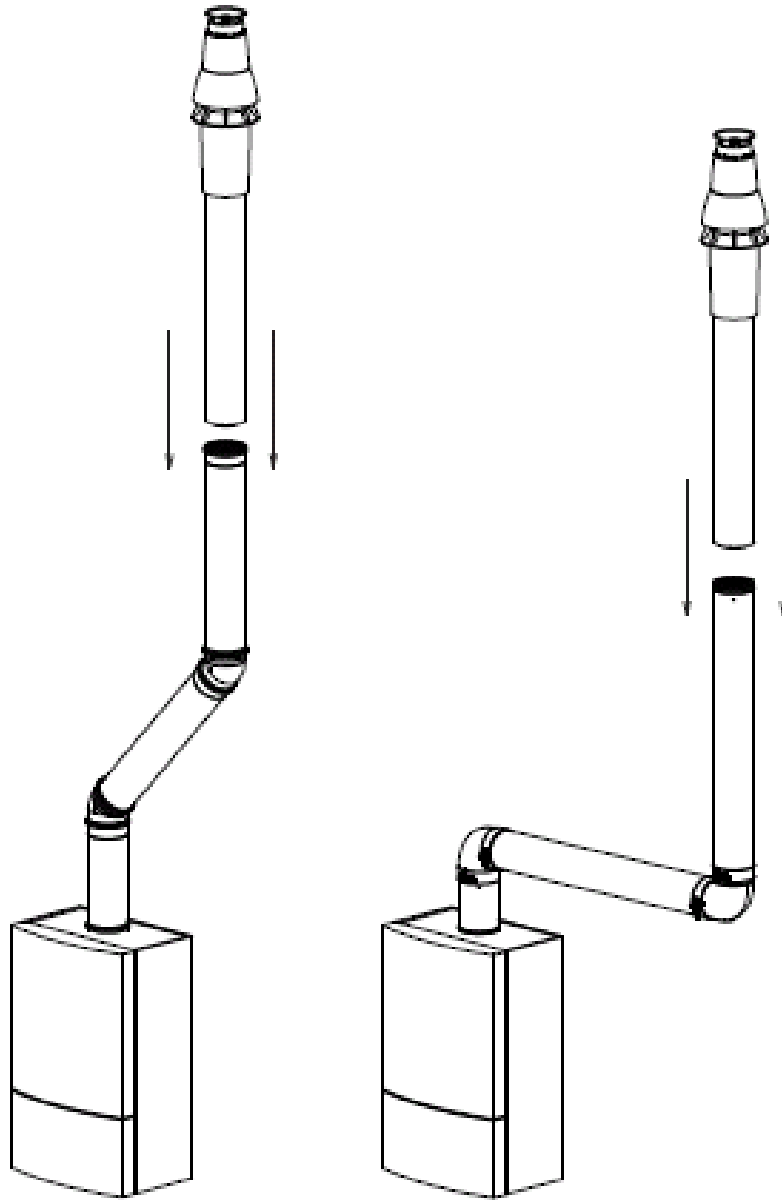


The images shown below may not represent the equipment supplied, images and instructions are for general guidance only

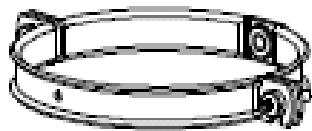


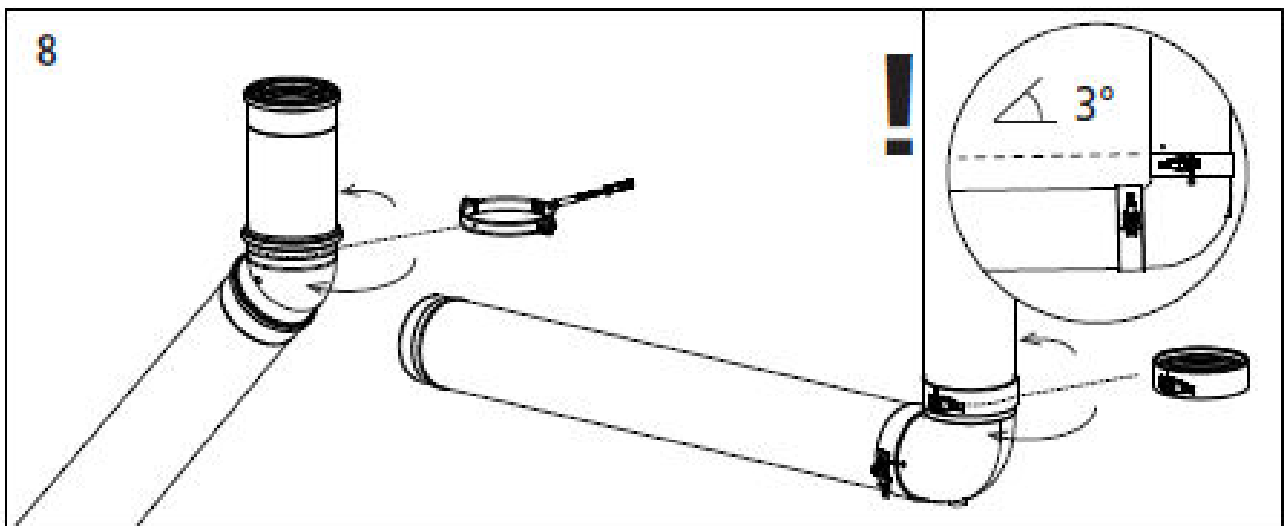
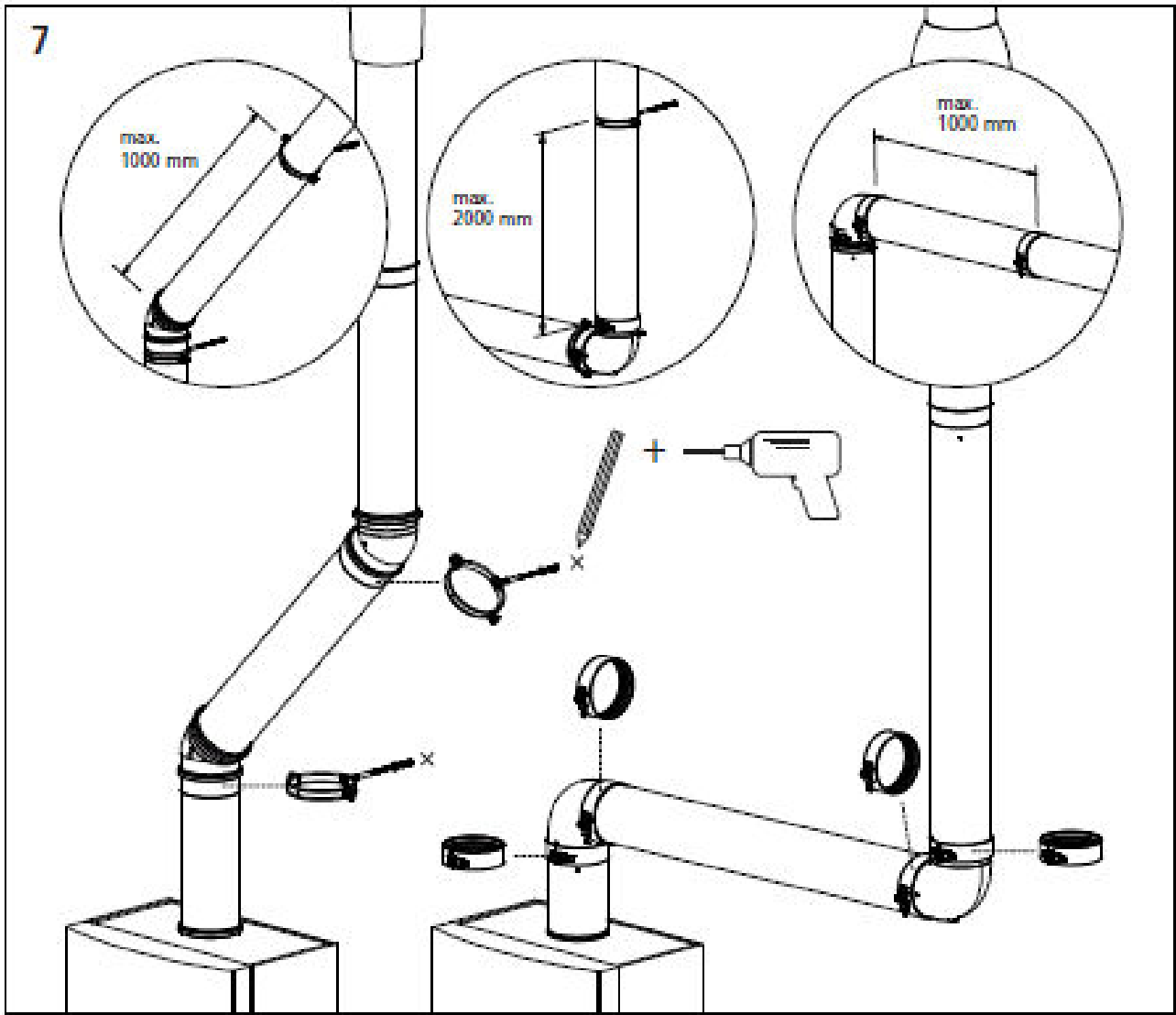


5

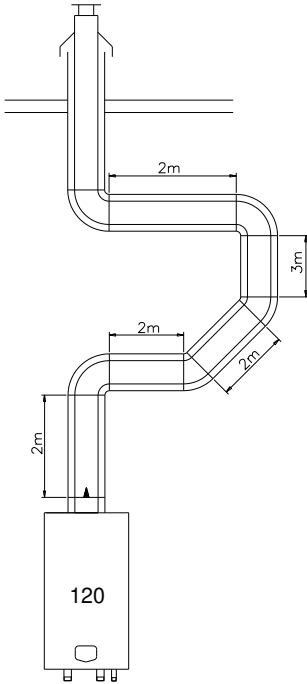


6





8.7.6. EXAMPLE D: CONCENTRIC FLUE GAS/AIR SUPPLY PIPE (ROOF-MOUNTED)



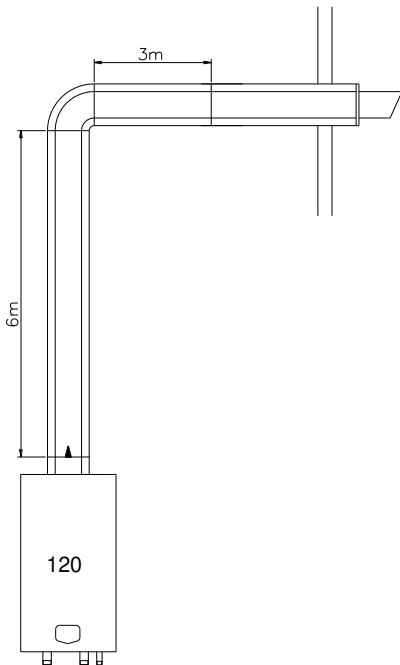
Calculation example with given lengths: checking resistance

Boiler type:		CPM SP116 (C33)			
Concentric	Diameter: 100/150 mm.	Number	Pa	Pa total	
	Straight tube m	total	11	10	110
	Bend	90°	3	13	39
	Bend	45°	2	9	18
	Concentric terminal	roof	1	45	45
	Total resistance flue gas outlet and air supply (concentric):				

The total resistance is more than 160 Pa. This flue gas / air supply system is NOT functional.

Part number concentric roof terminal: LV310754B – PP

8.7.7. EXAMPLE E: CONCENTRIC SYSTEM WALL OUTLET C13(WALL-MOUNTED)



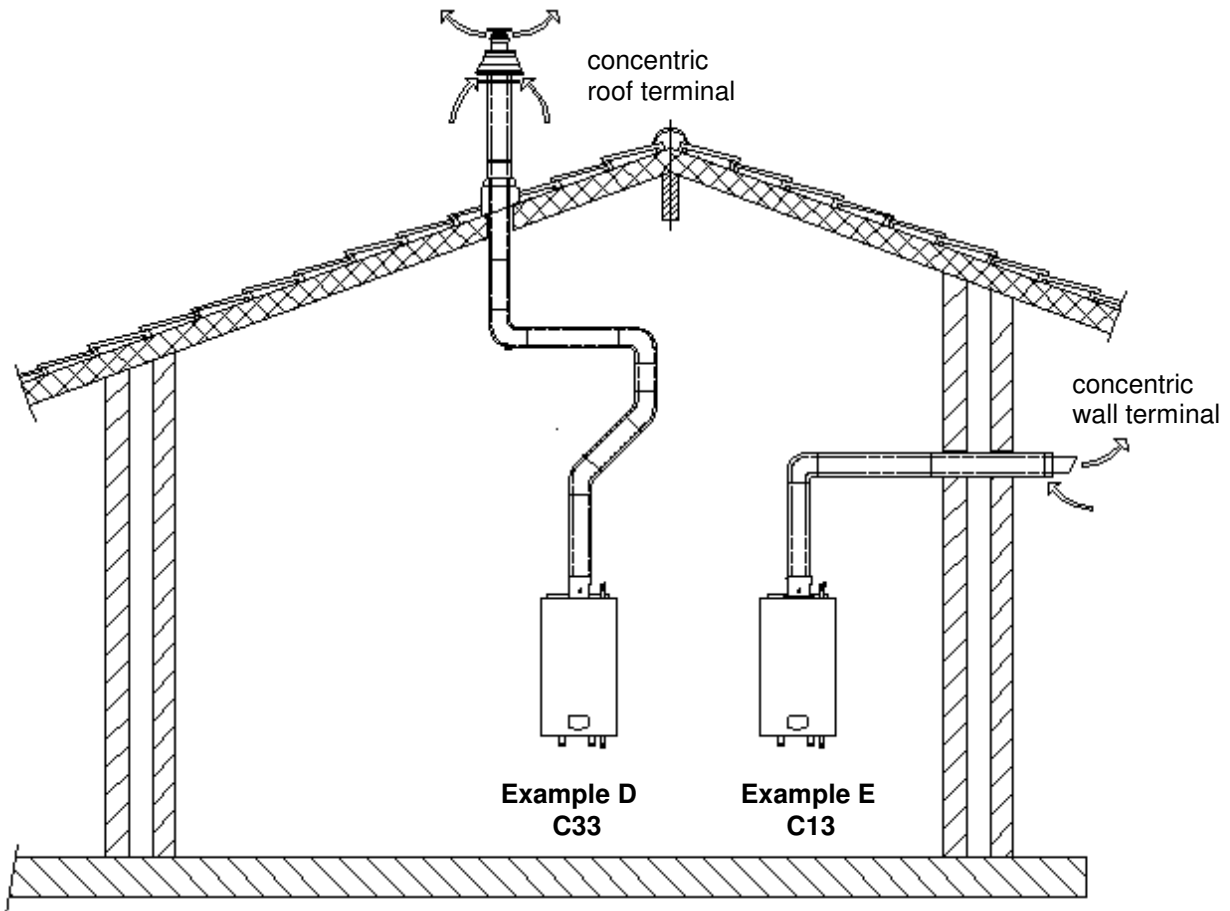
Calculation example with given lengths: checking resistance

Boiler type:		CPM SP116			
Concentric	Diameter: 100/150 mm	Number	Pa	Pa total	
	Straight tube m	total	9	10	90
	Bend	90°	1	13	13
	Concentric terminal	wall	1	24	24
	Total resistance flue gas outlet and air supply (concentric):				

The total resistance is less than 160 Pa. This flue gas / air supply system is functional.

Part number. concentric wall terminal: LV310758B- PP

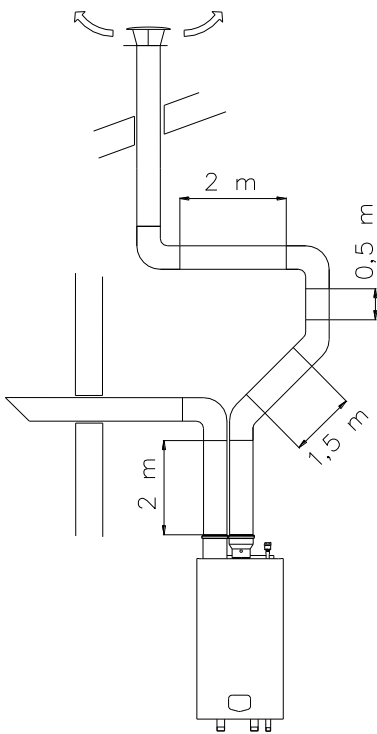
Examples D and E maximum pipe lengths



Example D (C33)	
boiler type →	CPM SP116
Diameter concentric pipe [mm]	100/150
Concentric roof terminal [mm]	100/150
Maximum pipe length [m]	5
Part no. conc. roof terminal PP	LV310754B

Example E (C13)	
boiler type →	CPM SP116
Diameter concentric pipe [mm]	100/150
Concentric wall terminal [mm]	100/150
Maximum pipe length [m]	12,0
Part no. conc. wall terminal PP	LV310758B

8.7.8. EXAMPLE F: SEPARATE AIR SUPPLY DUCT & FLUE DUCT IN DIFFERENT PRESSURE ZONE (C53)



Calculation example with given lengths: checking resistance

Boiler type:		CPM SP116			
Flue gas	Diameter: 100 mm	Number	Pa	Pa total	
	Straight tube m ¹	total	6	6,5	39
	Bend	45°	2	3,2	6,4
	Bend	90°	2	6,5	13
	Flue outlet	conical	1	22,1	22,1
Total resistance flue gas outlet:				80,5	
Air supply	Diameter: 100 mm	Number	Pa	Pa total	
	Straight tube m ¹	total	2	4,0	8,0
	Bend	90°	1	4,0	4,0
	Air inlet	H/D = 1,0	1	16,7	16,7
Total resistance air supply:				28,7	
Total resistance flue gas outlet and air supply:				109,2 Pa	

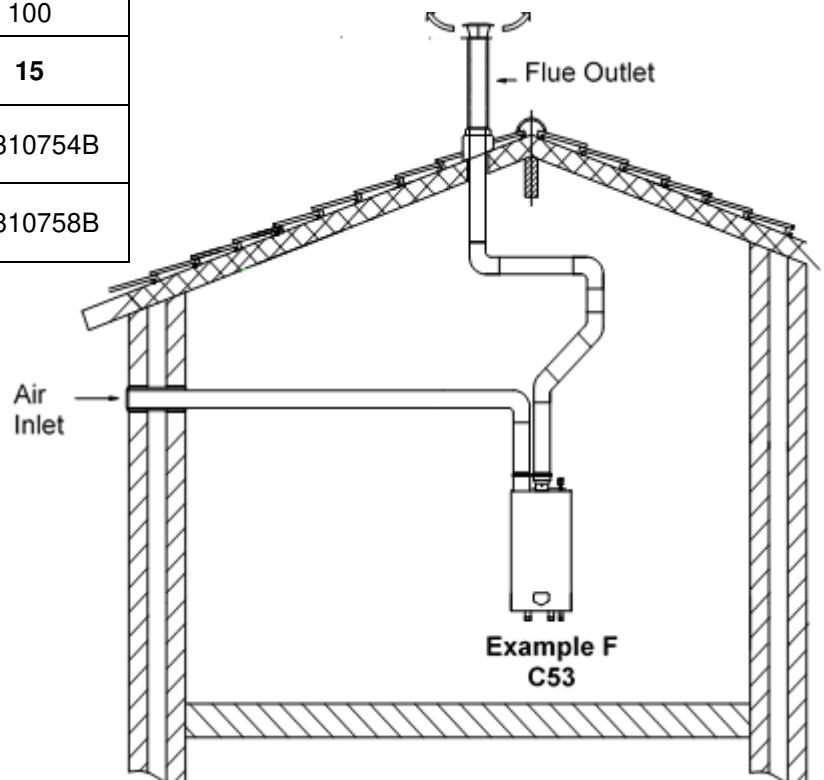
The total resistance is less than 160 Pa. This flue gas / air supply system is functional.

Be aware: Lochinvar Ltd specific resistance values are used in this example flue and air pipes of other supplier can have other values.

Part number. Flue gas roof terminal: LV310754B - PP

Part number. Air wall terminal: LV310758B- PP

Example F (C53)		
boiler type →		CPM SP116
Diameter wall terminal	[mm]	100
Diameter air inlet	[mm]	100
Diameter air inlet/ flue outlet	[mm]	100
Diameter roof terminal	[mm]	100
Maximum pipe length (inlet + outlet together)	[m]	15
Part no. roof terminal:	PP, conc:	LV310754B
Part no. wall terminal:	PP, conc:	LV310758B



9. ELECTRICAL INSTALLATION

9.1. General

All the wiring is connected by means of screw terminals. The connections are placed on top of the display panel and can be accessed by removing the boiler front door and the connector protection cover.



The boiler pump must be controlled by the CPM SP116 boiler control. If, for any reason, an external pump control is applied *without written approval of LOCHINVAR LTD*, the complete warranty on the CPM SP116 boiler and all supplied parts will become invalid.

- For operation the boiler needs a power supply of 230 Vac 50Hz.
- The boiler connections are not life/neutral sensitive (the boiler is not phase-sensitive).
- The wiring for the connections can be entered at the bottom of the boiler through the cable glands.
- NOTICE: Before starting to work on the boiler, it must be switched off and the power supply to the boiler must be disconnected.
- Electrical wiring should be installed according to all applicable standards and regulations.
- Working on the boiler should only be done by a qualified service engineer that is skilled in working on electrical installations and according to all applicable standards and regulations.

9.2. Electrical connections

1	2	3	4	5	6	7	8	9	10	11	12	13	14	15	16	17	18
OUTDOOR SENSOR		EXTERNAL FLOW SENSOR		CALORIFIER SENSOR OR THERMOSTAT		GENERAL BLOCKING		EXTERNAL WPS		ON/OFF STAT OR OPEN THERM HEATING CIRCUIT		+	-	A	B	LOCK-OUT	
												0 - 10 VDC		CASCADE CONNECTION		N.O.	
19	20	21	22	23	24	25	26	27	28	29	30	31	32	33	34	35	
BURNER BURNING		HEAT DEMAND		L N		L1 N L2		DIVERTOR VALVE CALORIFIER		L N		L N		L N			
N.O.		N.O.		CH SYSTEM PUMP P3				BY CALORIFIER PUMP P2		FIXED POWER SUPPLY FOR MODULATING BOILER PUMP 230V~50Hz				MAIN POWER SUPPLY TO BOILER 230V~50Hz			

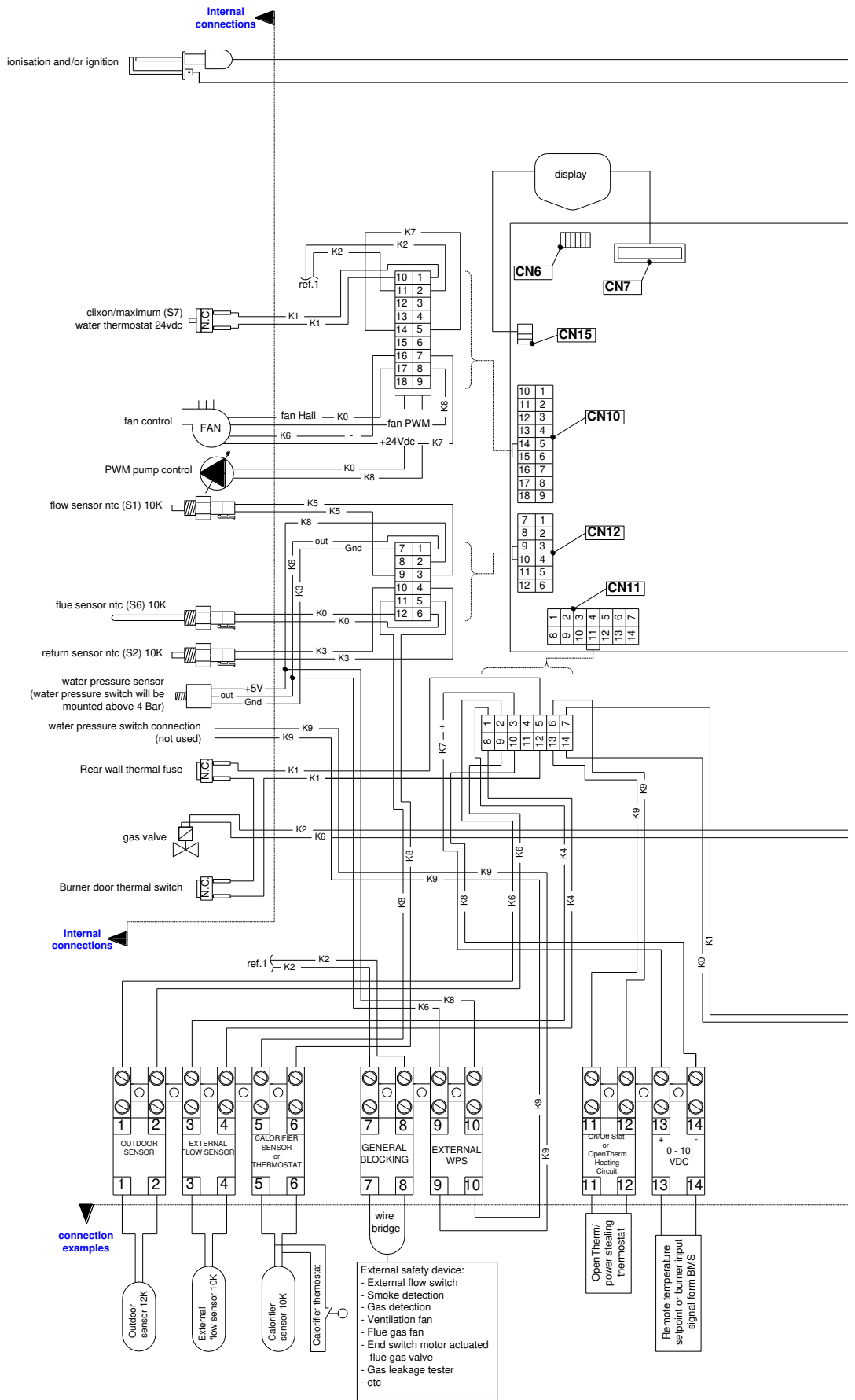
An extensive explanation of the connections and their functions is given in the table in the next section.

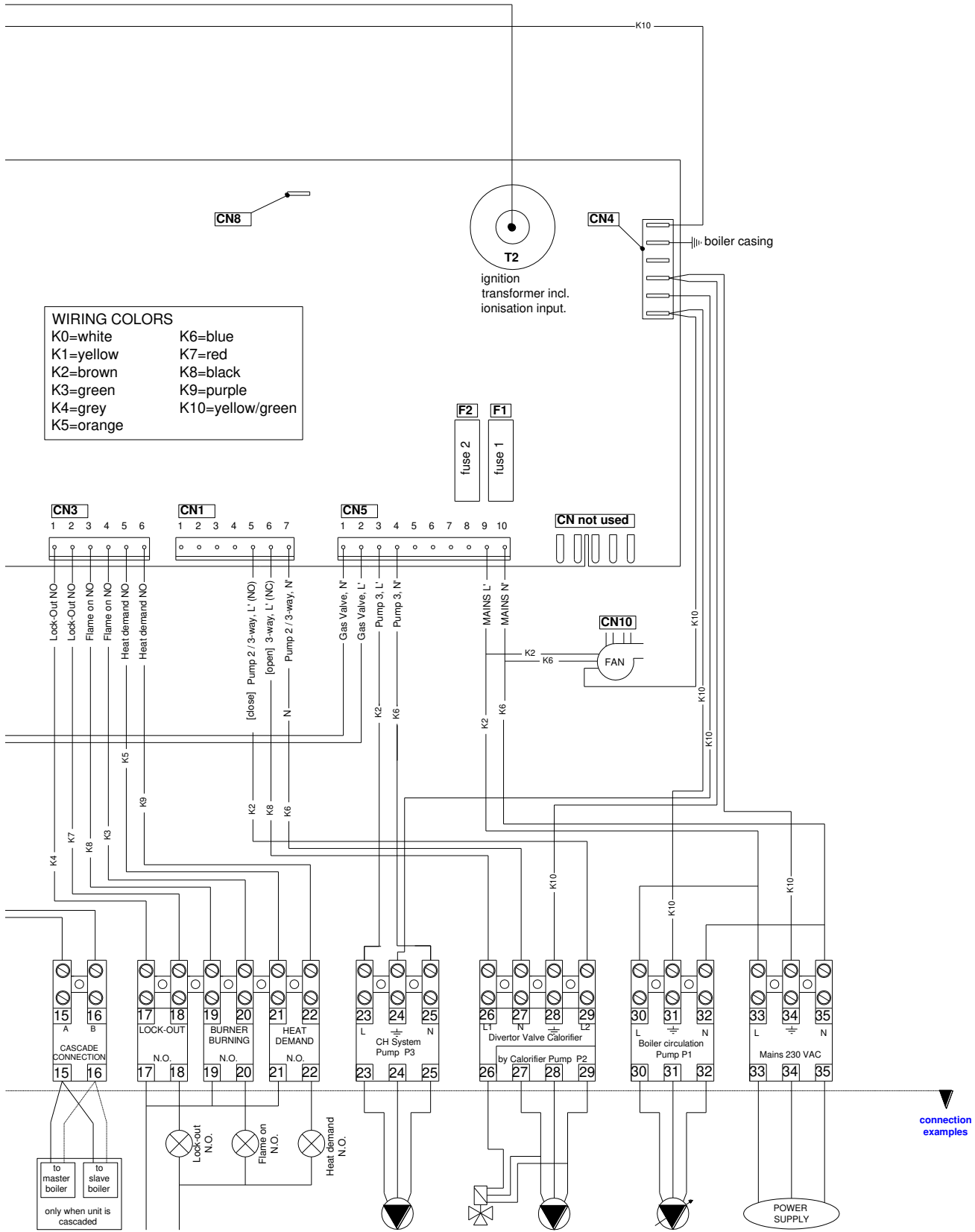
9.3. Functions of the connections

1-2	OUTDOOR SENSOR
When an outdoor temperature sensor is connected, the boiler will control the flow water temperature by using a calculated value, which is relative to the outdoor temperature. PARAMETER: No parameter settings needed.	
3-4	EXTERNAL FLOW SENSOR
When a low loss header is used, this external flow sensor measures the flow temperature at the system side. The sensor must be mounted on the supply pipe at the system side, just behind the low loss header. NOTICE: The sensor is required when several boilers are cascaded with the internal cascade manager. PARAMETER: No parameter settings needed.	
5-6	CALORIFIER SENSOR or THERMOSTAT
When an indirect hot water tank / calorifier is installed, a hot water sensor must be connected to these terminals. In case of a DHW heat demand, the set point will be shown in the display. An external on/off thermostat can also be connected to these terminals. When there is heat demand (terminal 5 and 6 are bridged) the flow temperature going to the heating coil(s) will be shown in the display.	

7-8	GENERAL BLOCKING
A heat demand that will start the burner will be blocked when terminals 7 and 8 are not bridged. This connection is for the use of external safety devices (terminals must be bridged for allowing burner to fire).	
9-10	EXTERNAL WATER PRESSURE SWITCH
A water pressure sensor is mounted in the boiler. As an option a water pressure switch can be installed. The sensor can be replaced by the water pressure switch, which can be wired to the terminals. When terminals 9/10 are not bridged, the boiler will lock-out. PARAMETER: A parameter change is needed.	
11-12	ON/OFF STAT OR OPEN THERM HEATING CIRCUIT
OPTION 1: An ON/OFF thermostat can be connected. The boiler will use the set/programmed flow temperature for the heating system when these terminals 11 and 12 are bridged. OPTION 2: An OpenTherm (OT) controller can be connected to the terminals 11 and 12. The boiler software will detect and use this OpenTherm signal automatically.	
13-14	0-10 VDC CONTROL SIGNAL
These terminals are used for an external 0-10 VDC control signal. PARAMETER: A parameter change is needed. NOTICE: Terminal 13 [+] (positive) and Terminal 14 [-] (negative).	
15-16	CASCADE CONNECTION
These connections are used when boilers are cascaded with the internal cascade manager for controlling the total cascade. NOTICE: Connect all terminals 15 and all terminals 16 together, do not switch between these terminals.	
17-18	LOCK-OUT OR PUMP ON/OFF
This contact is N.O. (normally open). When the unit is in lock-out this contact will close. This contact can also be used for the switching of a pump with a separate control connection, in which case a parameter change is needed.	
19-20	BURNER BURNING OR EXTRA BOILER OR PUMP ON/OFF
This contact is N.O. (normally open). When the unit starts the burner, and detects the flame, this contact will be closed. This contact can also be used to control an external (extra) boiler, or for the switching of a pump with a separate control connection. In the latter two cases a parameter change is needed.	
21-22	BURNER DEMAND OR PUMP ON/OFF
This contact is N.O. (normally open). When the unit receives any heat demand this contact will close. This contact can also be used for the switching of a pump with a separate control connection, in which case a parameter change is needed.	
23-24-25	CH SYSTEM PUMP P3
Connection for a central heating system pump (P3). NOTICE: Nominal pump current of P3 may not exceed 2 A, therefore its power may not exceed 460 W, cf. § 7.2.	
26-27-28-29	DIVERTOR VALVE CALORIFIER
When using a calorifier/hot water tank, a 3-way valve or a pump (P2) can be used to divert hot water to the heating coil of the calorifier/tank. This 3-way valve will open, when the hot water storage tank/calorifier has a heat demand. PARAMETER: A parameter change is needed. 26 = L1 wire (heating position); 27 = Neutral wire; 28 = Ground wire; 29 = L2 wire (hot water position). The inrush current of the 3-way valve may not exceed 3 A, see also § 7.2.	
27-28-29	CALORIFIER PUMP P2
When using a calorifier/hot water tank, a 3-way valve or a pump (P2) can be used to divert hot water to the heating coil of the calorifier/tank. This pump will start when the hot water storage tank/calorifier creates a hot water demand. PARAMETER: A parameter change is needed. Nominal pump current of P2 may not exceed 2 A, therefore its power may not exceed 460 W, see also § 7.2.	
30-31-32	FIXED POWER SUPPLY FOR MODULATING BOILER PUMP 230V~50Hz
Connection for modulating boiler circulation pump (P1). The pump is powered permanently and modulated by the PWM signal of the burner controller.	
33-34-35	MAIN POWER SUPPLY TO BOILER 230V~50Hz
The power supply connection of the unit. 33 = Phase wire; 34 = Ground wire; 35 = Neutral wire.	

9.4. Electrical schematics





connection examples

9.5. *Sensor values and conversion tables*

SENSOR	SENSOR TYPE	SENSOR VALUE
S1	Internal flow sensor	NTC-10K-B3977
S2	Internal return sensor	NTC-10K-B3977
S3	External flow sensor	NTC-10K-B3977
S4	Calorifier/tank sensor	NTC-10K-B3977
S5	Outdoor sensor	NTC-12K-B3740
S6	Flue gas sensor	NTC-10K-B3977

**Conversion table: temperature vs. resistance for all sensors with value NTC-10k B3977
(= all sensors except the outdoor sensor).**

Temperature (°C)	Resistance (Ω)	Temperature (°C)	Resistance (Ω)	Temperature (°C)	Resistance (Ω)	Temperature (°C)	Resistance (Ω)
-30	175203	20	12488	70	1753	120	387
-25	129289	25	10000	75	1481	125	339
-20	96360	30	8059	80	1256	130	298
-15	72502	35	6535	85	1070	135	262
-10	55047	40	5330	90	915	140	232
-5	42158	45	4372	95	786	145	206
0	32555	50	3605	100	677	150	183
5	25339	55	2989	105	586	155	163
10	19873	60	2490	110	508	160	145
15	15699	65	2084	115	443	165	130

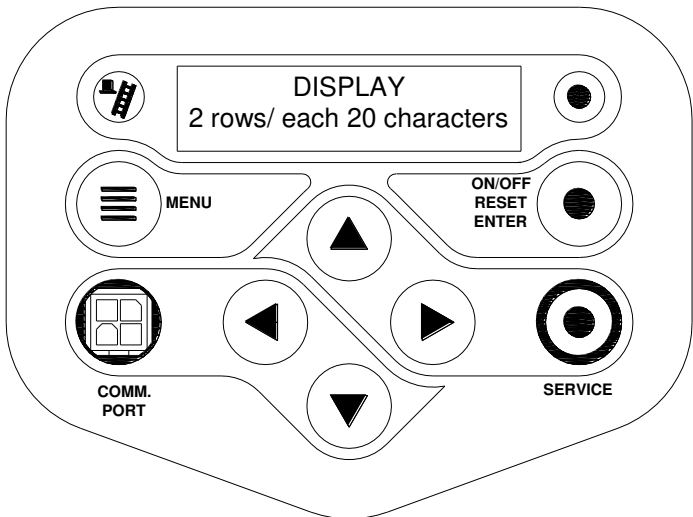
Conversion table: temperature vs. resistance, for the outdoor sensor with value NTC-12k B3740.

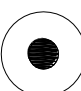









Temperature (°C)	Resistance (Ω)	Temperature (°C)	Resistance (Ω)
-50		0	36130
-45		5	28600
-40		10	22800
-35		15	18300
-30	171800	20	14770
-25	129800	25	12000
-20	98930	30	9804
-15	76020	35	8054
-10	58880	40	6652
-5	45950	45	5522

10. USER INTERFACE

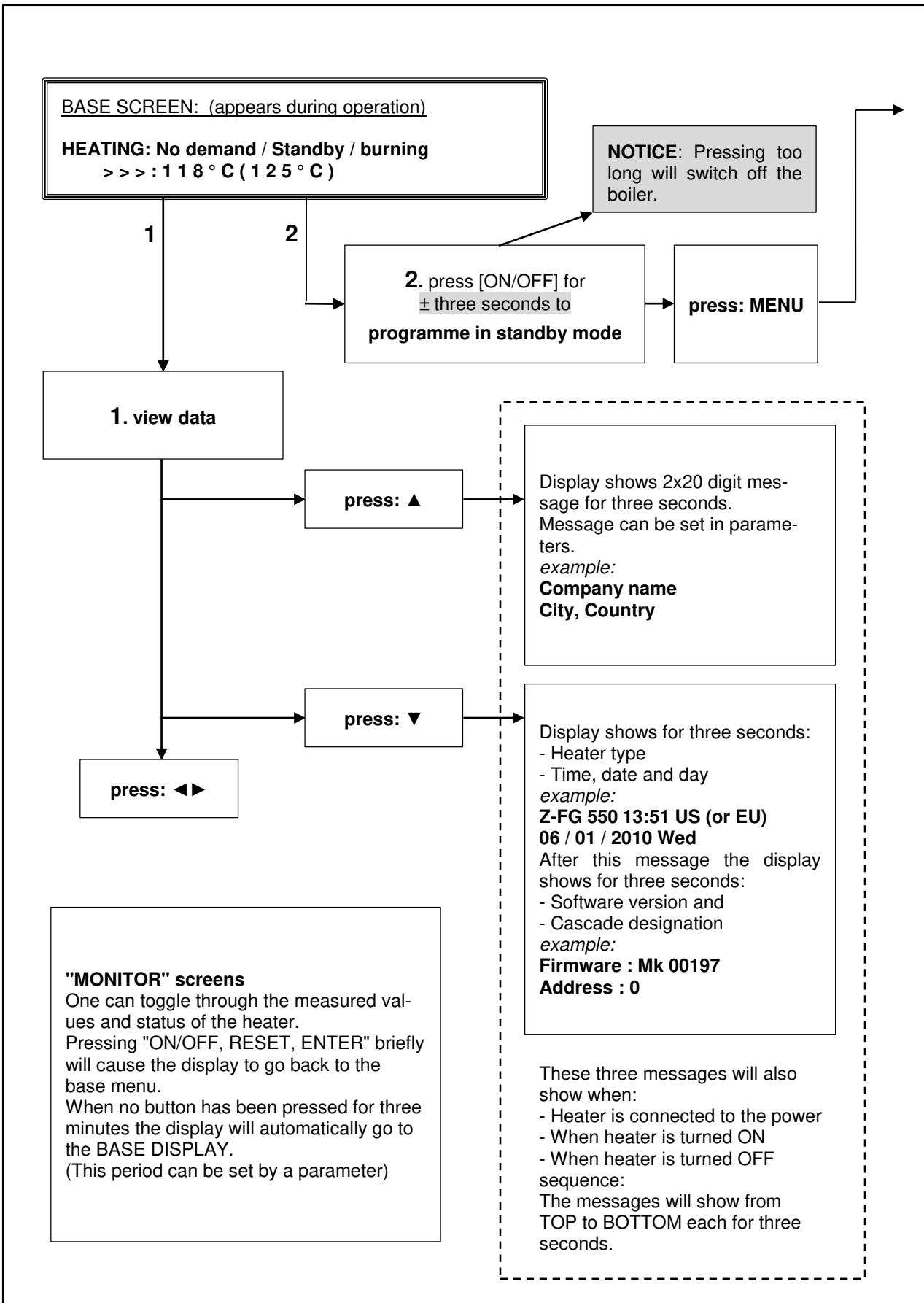
10.1. Control panel / display unit

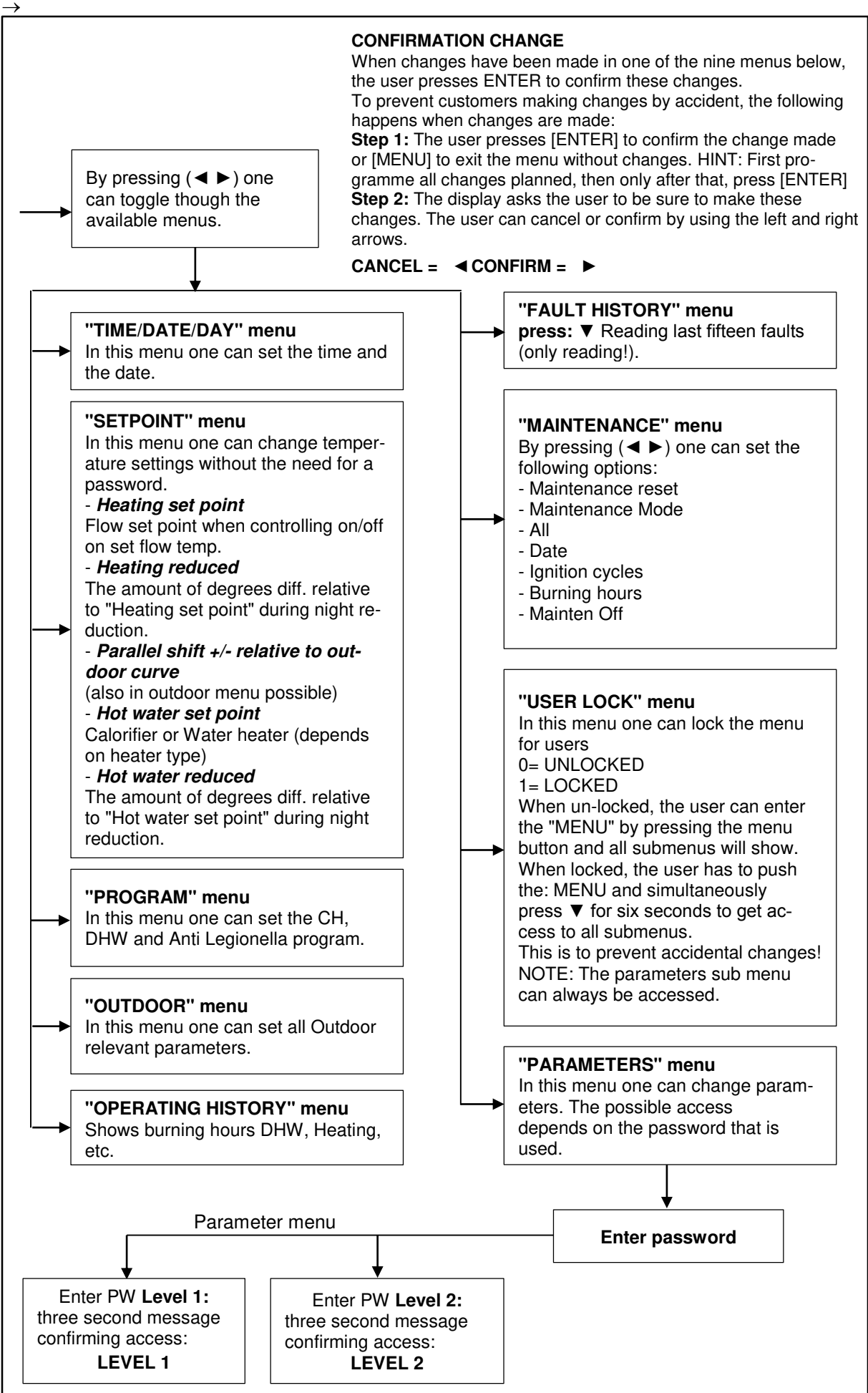
CONTROL PANEL



	Press and hold for three seconds for stand-by/progr. mode Press and hold for six seconds to switch boiler on/off. Used as RESET and ENTER button when programming.
	Connector for connecting computer cable.
MENU 	Buttons can be pushed to open menu.
 	Buttons to toggle through measured temperatures. Also used for navigating through the menus and for changing values.
 	
	Button to activate service function (hold for three seconds).
	Schornsteinfeger function (only for Germany).
	Light: lights when controller detects good flame signal. Lights when burner is burning.

10.2. Control panel menu structure





10.3. Display during operation

During normal operation the text in the display shows the status of the boiler. In the following graphs the several displays during normal operation are explained.

Display at HEATING DEMAND

Heat demand type:				Actual status:															
H	E	A	T	:	N	o	d	e	m	a	n	d							
>	>	>	:	1	2	3	.	4	°	C	(1	2	3	.	4	°	C)
cascade communication indicator				temp. set point				measured temp.control.sens. showing the measured temp. Can be turned off by P5 BJ											

When heat is needed for the calorifier the text "HEATING" changes into "HOTWATR".

When there is no heat demand it always shows heating.

Display at HOT WATER DEMAND

Heat demand type:				Actual status:															
H	O	T	W	:	N	o	d	e	m	a	n	d							
>	>	>	:	1	2	3	.	4	°	C	(1	2	3	.	4	°	C)
cascade communication indicator				temp. set point Thermostat > coil flow temp. Sensor > water temp.				measured temp.control.sens. showing the measured temp. Can be turned off by P5 BJ											

Explanation "Actual status" screen

Actual status:
B o i l e r o f f
When boiler is switched off (only text in the display during this status).
N o d e m a n d
No heat demand signal coming from the room thermostat and calorifier sensor (open).
S t a n d - b y
Room thermostat & calorifier sensor/thermostat detect heat demand but set point is reached.
P r e - p u r g e
The fan is purging before a burner start attempt.
P r e - i g n i t i o n
Ignition starts before opening of the gas valve.
I g n i t i o n
The ignitor is igniting.
P o s t - p u r g e
The fan is purging after burner is switched off.
B u r n i n g 1 0 0 %
When the burner is firing, also the actual rpm% is shown.

Explanation "Cascade communication indicator"

NO CASCADE COMMUNICATION

> > > no.1
Always showing the fixed ">>>"

CORRECT CASCADE COMMUNICATION

> > > no.1
> > no.2
Showing alternating no.1 & no.2 with 1 second interval.

10.4. Monitor screens

During normal operation and stand-by, the “◀” and “▶” buttons can be used to show some boiler information, including measured temperatures, settings and data. In the following graphs is explained which values can be shown in the display. When no button is activated for 2 minutes the display will return to its status display.

Pressing [◀] or [▶] while being at the "operating screen" toggles through the screens below. When pressing [ON/OFF, RESET, ENTER] or [MENU] at any time the display returns to the base menu.

SCREEN: 1																			
T 1		F	I	o	w					1 2 3 , 9 ° C	Measured value by the internal flow sensor.								
T 2		R	e	t	u	r	n			1 2 3 , 9 ° C	Measured value by the internal return sensor.								
										O p e n	Shown when the controller does not detect this sensor.								
										S h o r t e d	Shown when sensor wires or sensor itself is shorted.								
SCREEN: 2																			
T 3		E	x	t	e	r	n	a	l	1 2 3 , 9 ° C	Measured value by the external sensor.								
T 4		C	a	l	o	r	i	f	i	1 2 3 , 9 ° C	Measured value by the calorifier sensor.								
										O p e n	Shown when the controller does not detect this sensor.								
										S h o r t e d	Shown when sensor wires or sensor itself is shorted.								
SCREEN: 3																			
T 5		O	u	t	d	o	o	r		1 2 3 , 9 ° C	Measured value by the outdoor sensor.								
T 6		F	l	u	e					1 2 3 , 9 ° C	Measured value by the flue gas sensor.								
										O p e n	Shown when the controller does not detect this sensor.								
										S h o r t e d	Shown when sensor wires or sensor itself is shorted.								
SCREEN: 4																			
d T F	I	o	w	R	e	t	u	r	n	1 2 3 , 9 ° C	Temperature difference between internal flow & return.								
d T F	l	u	e	R	e	t	u	r	n	1 2 3 , 9 ° C	Temperature difference between flue gas & internal return.								
SCREEN: 5																			
d T E	x	t	R	e	t	u	r	n		1 2 3 , 9 ° C	Temperature difference between external & internal return (ΔT LLH).								
S	i	g	n	a	l					P o w e r	External supplied 0-10 Volt dc signal.								
										S e t p o i	"Power" = power input control or "Setpoi" = set point control.								
SCREEN: 6																			
F	a	n		s	p	e	e	d		9 9 9 9 r p m	Actual fan speed in rpm.								
F	a	n		s	p	e	e	d		1 0 0 %	Actual fan speed % of maximum allowable fan speed.								
The maximum actual rpm may be lower than the maximum rpm set point. The fan may not be able to reach the maximum rpm set point, because of the unit's resistance, which is still correct according to its design.																			
SCREEN: 7																			
F	l	a	m	e	s	i	g	n	a	l	1 0 0 μ A	Flame signal given in μA.							
W	a	t	e	r	P	r	e	s	s	u	r	1 , 0 b a r	Shows water pressure when sensor is connected.						
SCREEN: 8																			
P	u	m	p	1		H	e	a	t	e	r	O f f	Pump 1 (HEATER PUMP) on or off.						
P	u	m	p	1		S	i	g	n	a	l	1 0 0 %	Modulating signal Pump 1 in (%).						
SCREEN: 9																			
P	u	m	p	2		C	a	l	o	r	i	O f f	Shows when the calorifier pump is "ON" or "OFF".						
3	-	w	a	y		V	a	l	v	e		H e a t i n g	Signal to the 3-way valve: "HEATING" or "HOTWATER".						
SCREEN: 10																			
P	u	m	p	3		S	y	s	t	e	m	O f f	Shows when the system pump is "ON" or "OFF".						
h	h	:	m	m		D	D	/	M	M	/	Y	Y	Y	Y	D	a	y	hh=hour; mm=minutes; DD=day; MM=month; YYYY=yr; day of the week

SCREEN: 11

C	a	s	c		D	e	s	i	g	n				0						0 = MASTER, 1 11 = SLAVES
C	a	s	i	n	f			0	1	2	3	4	5	6	7	8	9	A	B	Displays number, priority and state of cascade boilers.

DESCRIPTION "CASCINFO" Screen 11

Shows the number of boilers connected with the Cascade. The Master/Lead boiler is designated as 0. Slave/Lag boilers will be designated 1, 2, 3, 4, 5, 6, 7, 8, 9, A, B. When a "-" is used instead of a number, then that boiler is either not connected, or in a lockout mode and not available for the Cascade. When an "x" is used instead of a number, then that boiler is connected, but in lockout mode. When a "d" is used instead of a number, then that boiler is handling a DHW demand. When the number is flashing, then that boiler is providing heat to the cascade. When the leading boiler is changed according to the set priority change time, then that boiler's address will be shown first in the row of numbers.

Example 1: "3 4 5 - - - - - 0 1 2"

There are six boilers present and nr. 3 has priority.

Example 2: "3 4 x - - - - - d 1 2"

There are six boilers present and nr. 3 has priority. Boiler 0 is heating up an indirect DHW tank. Boiler 5 is present, but in a lock-out.

SCREEN: 12

C	a	s	c		P	o	w	e	r		9	9	9	%		9	9	9	%	% heat demand of total (cascade) power available (%).
D	u	a	i		B	u	r	n	e	r	:				N	o				One heat exchanger equipped with two burners: "Yes" or "No".

SCREEN: 13

M	a	x		T	h	e	r	m						O	p	e	n			Status of the maximum thermostat: "Open" or "Closed".
G	e	n		B	l	o	c	k						C	l	o	s	e	d	Status of the general blocking contact: "Open" or "Closed".

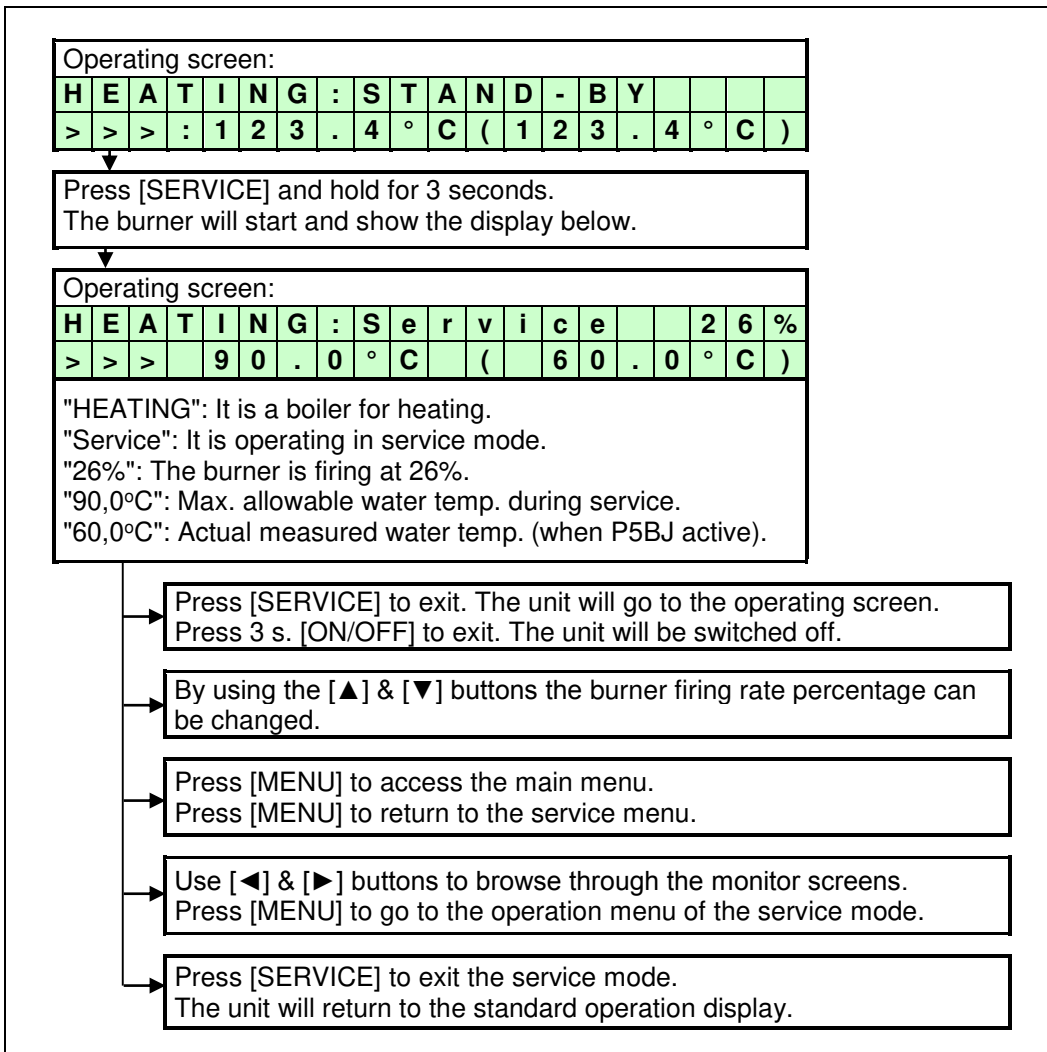
SCREEN: 14*

S	i	p	h	o	n			p	r	e	s	s			C	l	o	s	e	d	Status of the siphon pressure switch: "Open" or "Closed".
N	R	V		C	o	n	t	a	c	t					O	p	e	n			Status of the non-return valve contact: "Open" or "Closed".

* REMARK at screen 14: No Siphon pressure switch and NRV used in this type of boiler.

10.5. Service function

The following graphs describe how to use the service function.

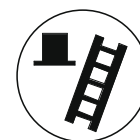


10.6. Schornsteinfeger function

The following graphs describe how to use the Schornsteinfeger function.

NOTICE: This function is required for Germany and can be activated by parameter (P5 BK). The standard factory setting for this function is "OFF".

FOR USE IN GERMANY ONLY NOT APPLICABLE FOR THE UK



10.7. Programming in standby mode

Standby

Use the standby mode for modifying boiler settings without interaction with the boiler control. Changes are effected by leaving standby mode.

Properties of standby mode:

- Keys are active and the menu is accessible.
- Burner does NOT respond to an external heat demand.
- All control functions are active: pumps, fans and cascade are operational; recirculation and frost protection are working.

How to programme the boiler:

- First disconnect or shut down the room thermostat and/or other external controllers from the boiler. The CH pump and fan will stop after a short delay time.
- Switch the boiler in standby mode by pressing [ON/OFF] for three seconds.
- The next display screen should appear:

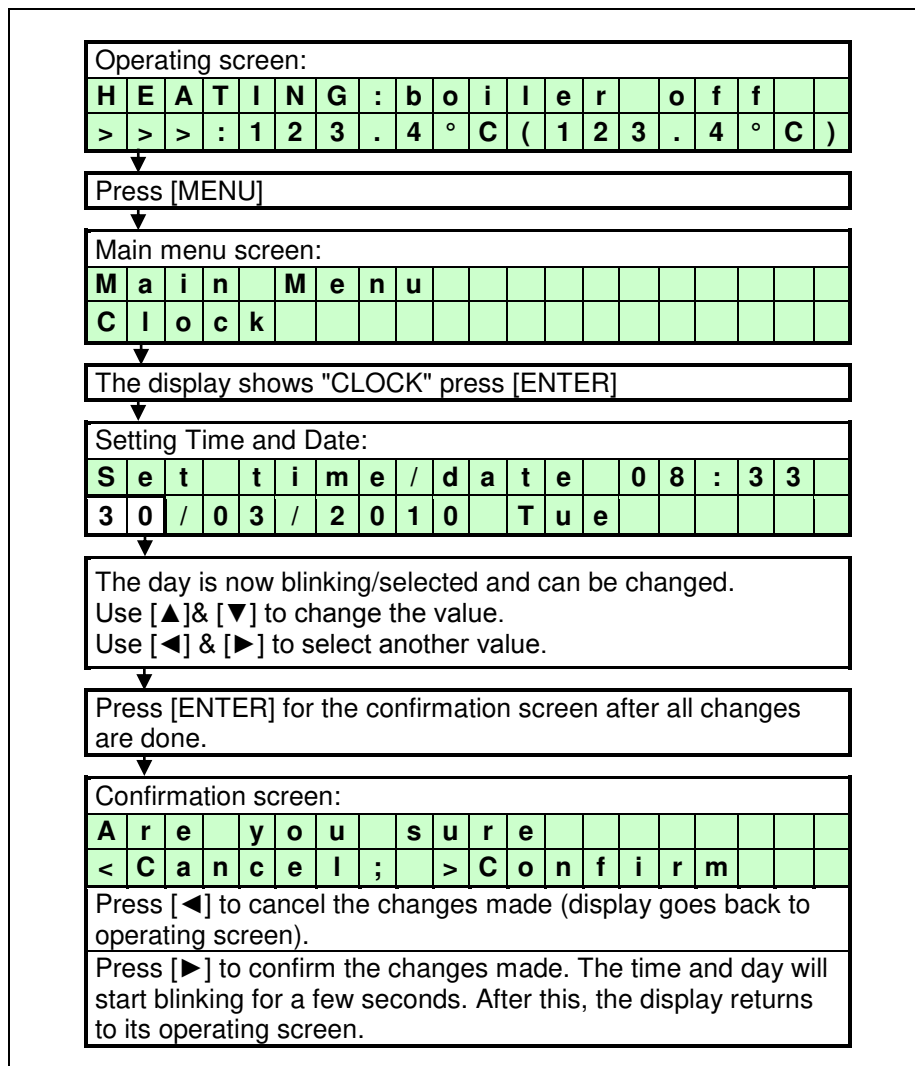
Display message	H	E	A	T	I	N	G	:	b	o	i	l	e	r	o	f	f		
	>	>	>	:	1	2	3	.	4	°	C	(1	2	3	.	4	°	C

- Program the boiler at the control panel (see the following sections).
- Terminate programming mode by pressing [MENU], or [ENTER] and NO ◀ or YES ▶.

Reactivate the boiler by pressing [ON/OFF] for three seconds again.

10.8. Setting the time & date

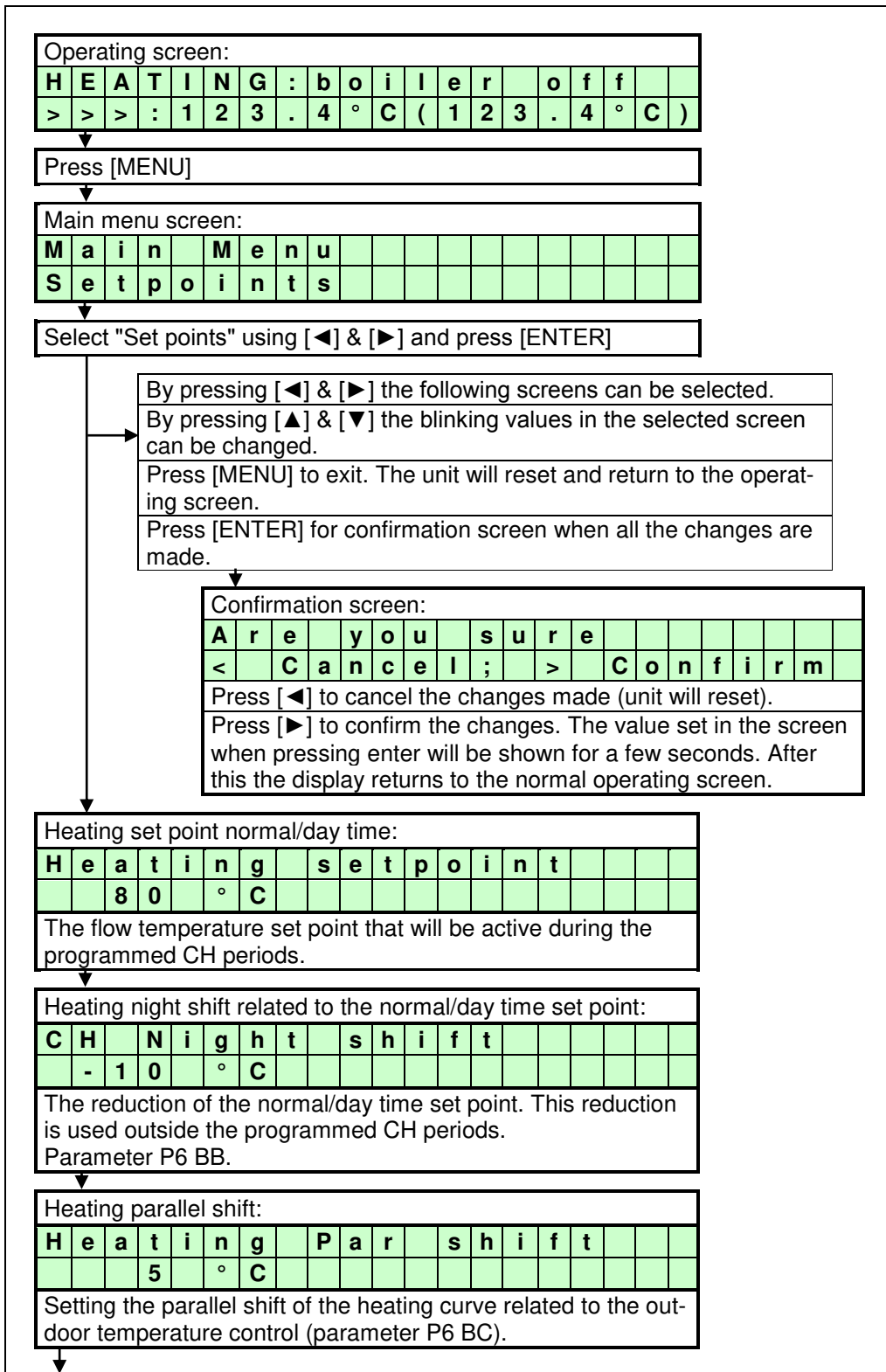
The following graphs describe how to program the time and date of the unit.



10.9.

Set points

The following graphs describe how to program the heating and hot water set points.
 NOTICE: The hot water set points are only displayed, when the boiler is programmed as an indirect hot water boiler or direct hot water boiler. See parameter P4 AA for the exact boiler configuration.



↓

DHW set point normal/day time: (parameter P4 AA = 1/2)												
D	H	W		s	e	t	p	o	i	n	t	
		6	0		°	C						
This is the water temperature set point that is active during the programmed DHW periods (parameter P4 AA = 1/2).												

↓

DHW set point reduction: (parameter P4 AA = 1/2)												
D	H	W		R	e	d	u	c	e			
		1	0		°	C						
The reduction of the DHW set point related to normal/day time set point. This reduction is used outside the programmed DHW periods (parameter P4 AA = 1/2).												

NOTICE:
 The maximum actual DHW temperature will never exceed the value set at "Heating Setpoint" regardless the set DHW setpoint. If higher DHW setpoints are needed the Heating Setpoint has to be set higher also.

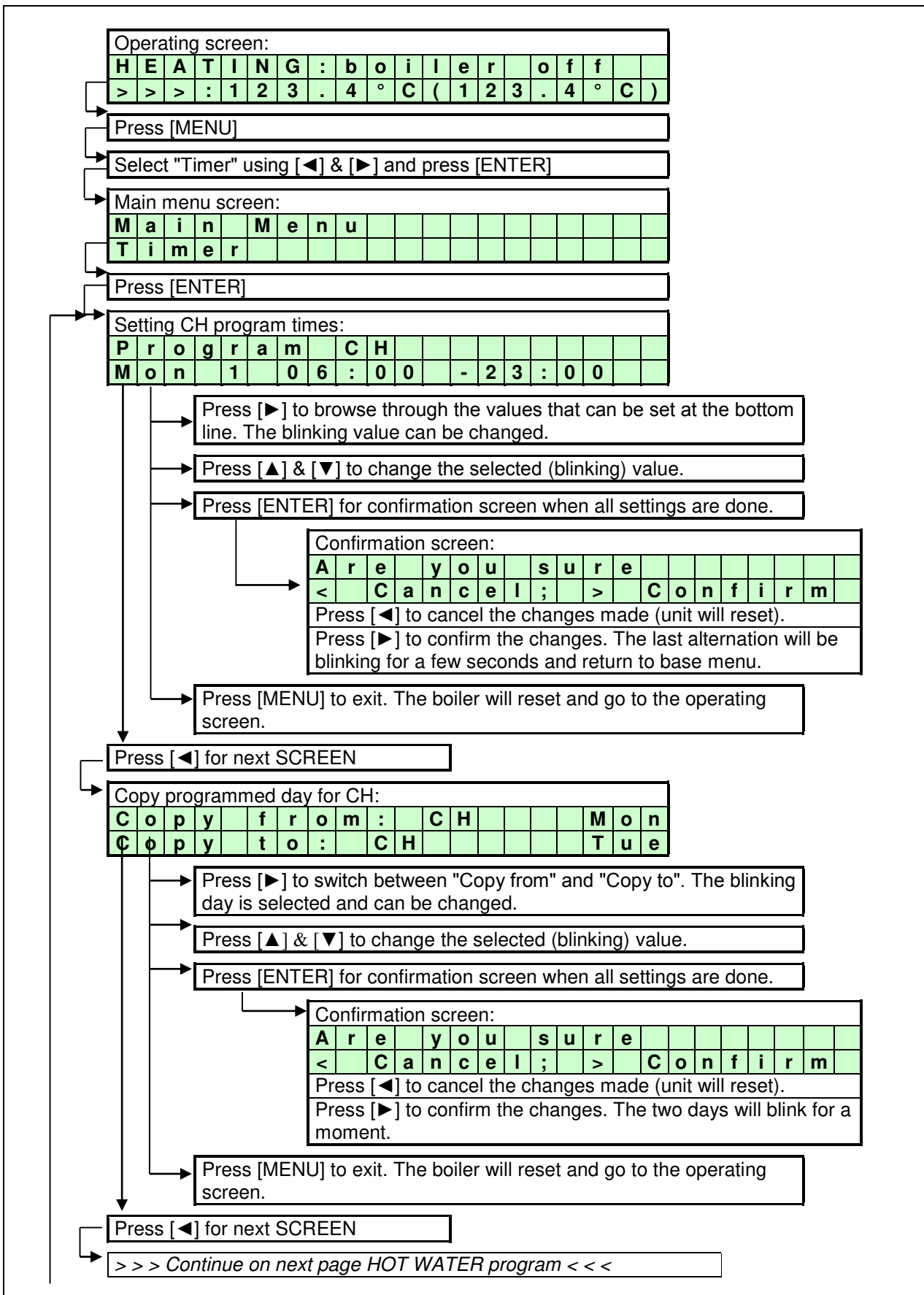
10.10. *Setting the timer programs*

Three different programs can be set with the boiler, these are:

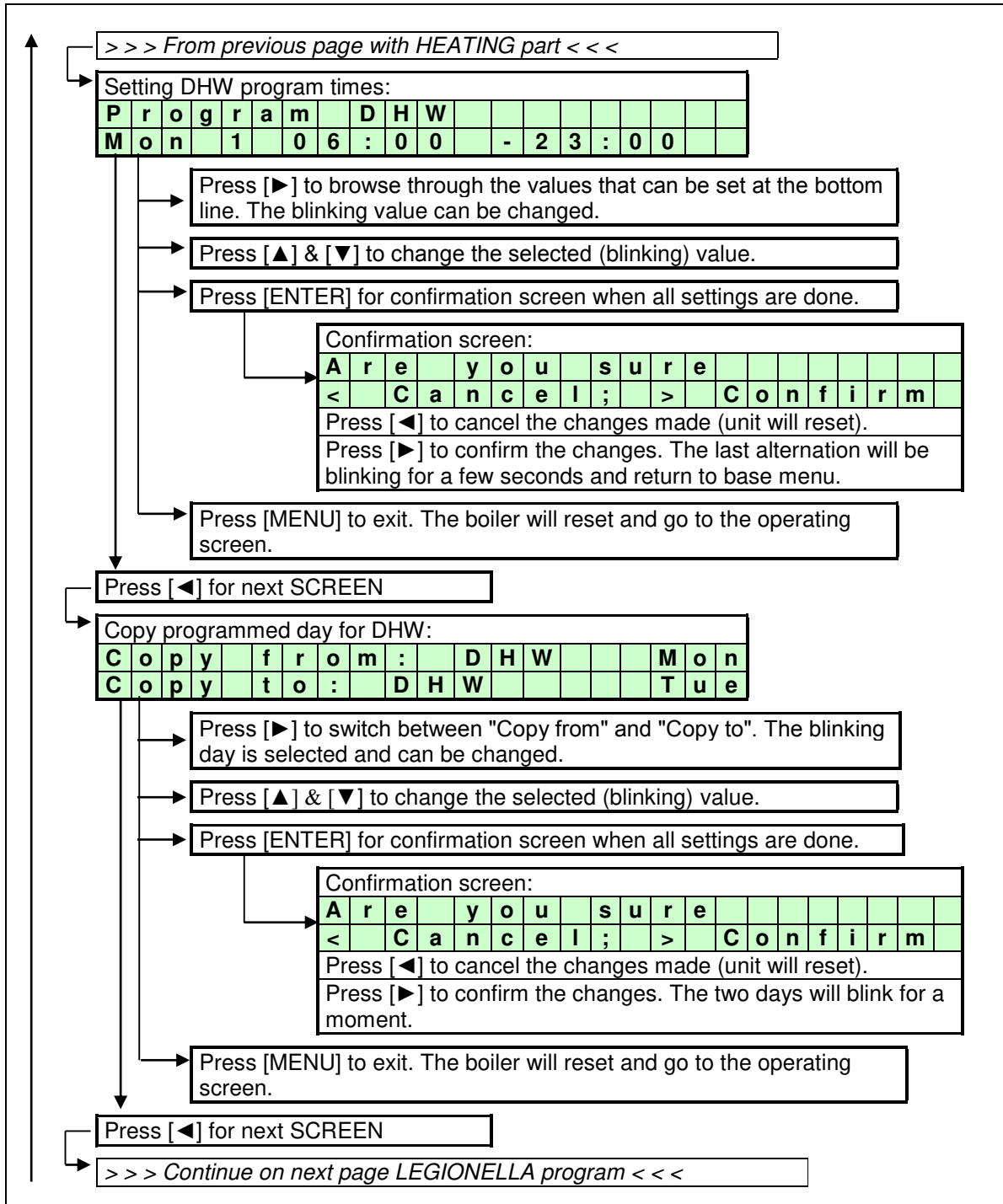
- CH program
- DHW program
- Anti-Legionnaires' disease (pasteurisation) program

HEATING PROGRAM

Three programmed periods each day can be set (period 1, period 2 and period 3). During these periods the unit will use the normal CH and DHW set point. Outside the programmed period(s) the unit will use the reduced temperature as set point. When there is no time programmed for a period, it will not be used. (Example: no time programmed in period 3 on Monday > "Mon 3 --:-- --:--").

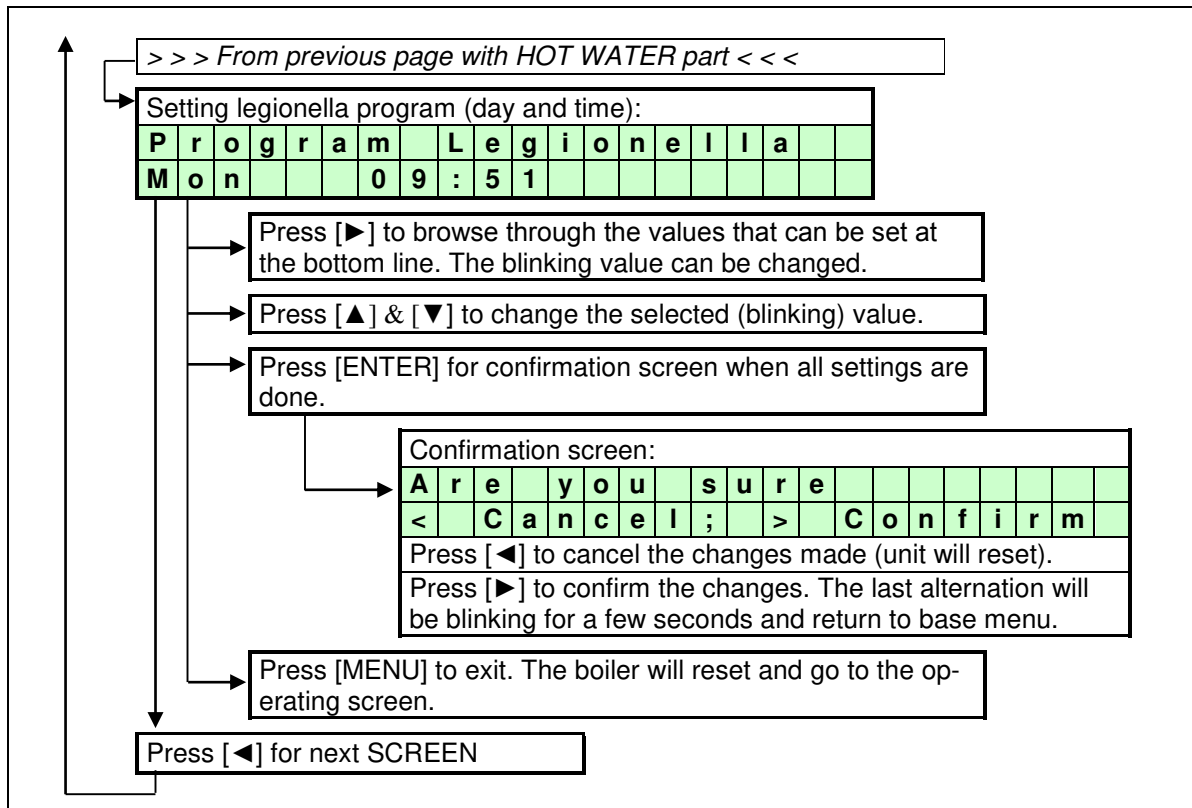


HOT WATER PROGRAM



ANTI LEGIONNAIRES' DISEASE PROGRAM

The anti-Legionnaires' disease (pasteurisation) program of the boiler can only be used when the boiler is set as an "indirect" boiler configuration or a "direct" hot water boiler configuration. Only these configurations can activate the day and time program of the anti-Legionnaires' disease function. See the following graphs. The standard factory setting for this function is "OFF".



10.11. Setting the outdoor specifications

PARAMETERS FOR SETTING THE OUTDOOR GRAPH

When using this function the flow temperature is calculated based on the measured outdoor temperature. The relation between the outdoor temperature and the flow temperature can be programmed with the following parameters. This setting creates the so called "heating curve".

The boiler will recognise an outdoor sensor when it is connected. When the sensor is detected the boiler controller will control the flow temperature based on the heating curve that is programmed.

P5 AA Outsidesens. (1=On 0=Off)

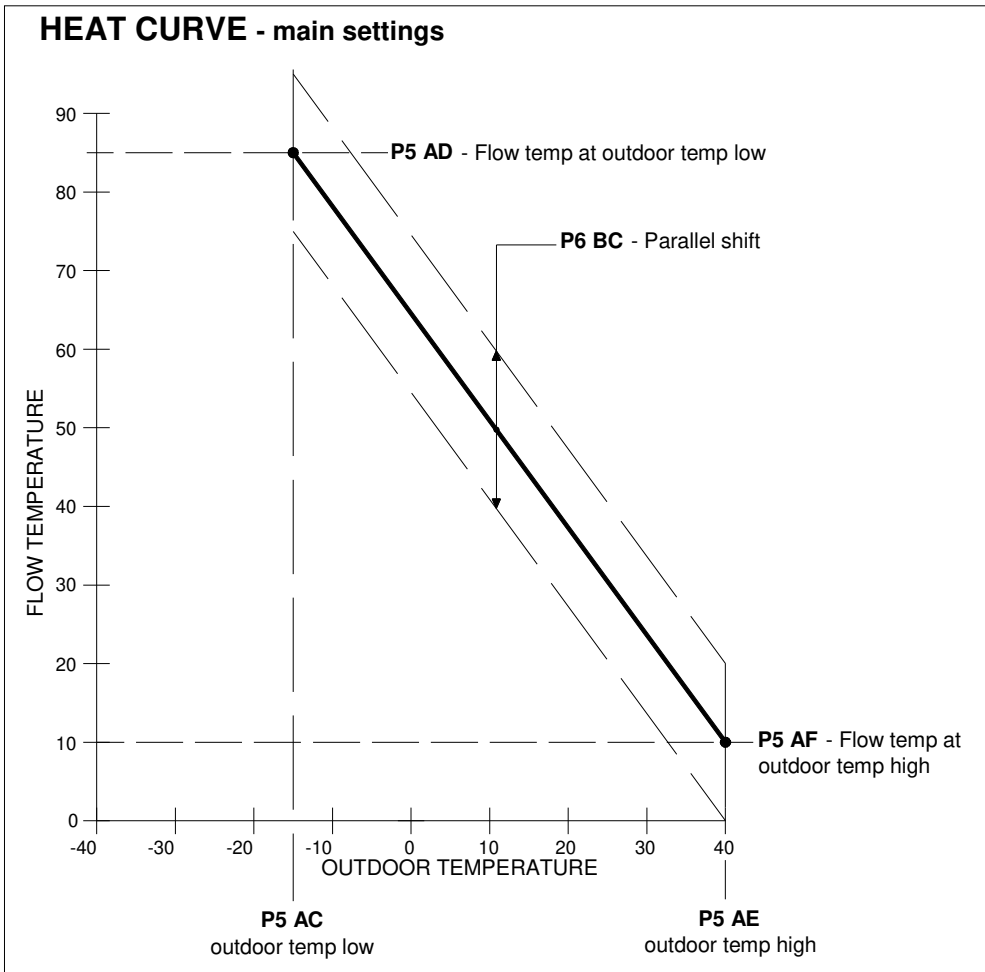
Outside sensor present.

Setting this parameter to "On" a fault message will be displayed in case of an interrupted connection to the outdoor sensor or if the measured outdoor temperature exceeds 60°C (defective sensor).

0 => No fault message at interrupted outdoor sensor connection. Boiler keeps burning using the value of the external or internal flow sensor instead of the outdoor sensor.

1 => Interrupted sensor wiring causes a fault message to occur at the display Boiler keeps burning using the value of the external or internal flow sensor instead of the outdoor sensor.

OUTDOOR GRAPH (see also next page)



Curve and values only for illustration purposes, programmed parameter values can deviate!

P5 AC Heat curve minimum outdoor temperature °C
 This sets the minimum outdoor temperature at which one wants the maximum flow temperature that is set.

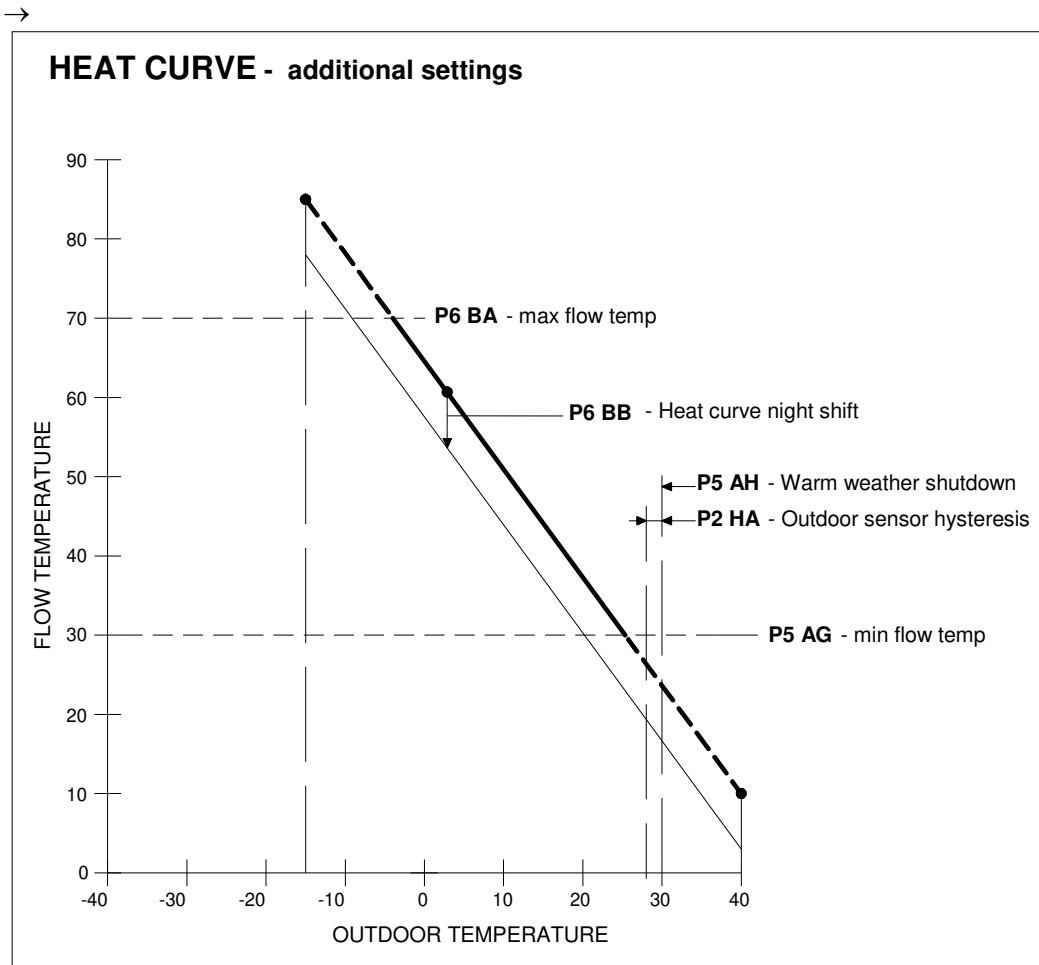
P5 AD Heat curve flow temperature at minimum °C
 This sets the desired maximum flow temperature at the set minimum outdoor temperature.

P5 AE Heat curve maximum outdoor temperature °C
 This sets the maximum outdoor temperature at which one wants the minimum flow temperature that is set.

P5 AF Heat curve flow temperature at maximum °C
 This sets the desired minimum flow temperature at the set maximum outdoor temperature.

P6 BC Heat curve Parallel Shift °C
 The heating curve is set by the parameters. Next to these setting done by the installer, the end user has the freedom to influence the flow temperature by doing a parallel shift setting. In this parameter the margins are set within which the user can increase and decrease the calculated flow temperature relative to the calculated flow temperature by the heating curve that is set.

is continued →



Curve and values only for illustration purposes, programmed parameter values can deviate!

P5 AG Heat curve minimum flow temperature °C

The set point will never be lower than the flow temperature set in parameter P5AG. The minimum temperature is limited, even if the calculated set temperature, according to the heating curve, would be lower.

P5 AH Summer Outdoor temperature Central heating °C

If the outdoor temperature is higher than set in P5AH the heat demand for heating will be blocked.

P5AR Outdoor sensor 10K or 12K resistance (1 or 0)

Depending to the used type of sensor this parameter can be set. Set to '0' when using a so called 12k NTC sensor (sensor resistance is 12 kohm at 25°C) Set to '1' when using a so called 10k NTC sensor (sensor resistance is 10 kohm at 25°C) Default the parameter = 0, so the used sensor is assumed to be 12 kΩ.

P2 HA Outdoor sensor hysteresis °C

If the outdoor temperature reaches the temperature set in P5 AH (warm weather shutdown) the unit won't start for heating. If the measured outdoor temperature drops P5 AH minus P2 HA the boiler can start up for heating again.

P6 BA CH User Setting °C

The set point will never be higher than the flow temperature set in parameter P6BA. The maximum temperature is limited, even if the calculated set temperature, according to the heating curve, would be higher.

P6 BB Heat curve night shift °C

The temperature reduction during the night, relative to the setting determined by the heat curve

DISPLAY

The following graphs describe how to program the outdoor graph settings.

Operating screen:																			
H	E	A	T	I	N	G	:	b	o	i	l	e	r	o	f	f			
>	>	>	:	1	2	3	.	4	°	C	(1	2	3	.	4	°	C)
Press [MENU]																			
Select "Outdoor" using [◀] & [▶] and press [ENTER]																			
Main menu screen:																			
M	a	i	n	M	e	n	u												
O	u	t	d	o	o	r													
Press [◀] & [▶] to browse through the screens that are shown below.																			
Press [▲] [▼] to change the blinking value in the selected screen.																			
Press [MENU] to exit. The unit will reset and go to the operating screen																			
Press [ENTER] for confirmation screen after all changes are made.																			
Confirmation screen:																			
A	r	e	y	o	u	s	u	r	e										
<	C	a	n	c	e	l	;		>	C	o	n	f	i	r	m			
Press [◀] to cancel the changes made (unit will reset).																			
Press [▶] to confirm the changes made. The time and day will start blinking for a few seconds. After this, the display returns to its operating screen.																			
0	1			O	u	t	s	i	d	P	r	e	s						
										0									
P5 AA																			
0	2			H	C	m	i	n	O	u	T	m	p						
								-	1	5	°	C							
P5 AC																			
0	3			H	C	m	i	n	F	I	T	m	p						
									8	5	°	C							
P5 AD																			
0	4			H	C	m	a	x	O	u	T	m	p						
									2	0	°	C							
P5 AE																			
0	5			H	C	m	a	x	F	I	T	m	p						
									2	0	°	C							
P5 AF																			
0	6			H	C	m	i	n	F	I	L	i	m						
									2	0	°	C							
P5 AG																			
0	7			S	u	m	S	h	D	w	n	O	u						
									3	0	°	C							
P5 AH																			
0	8			H	C	m	a	x	F	I	L	i	m						
									8	5	°	C							
P6 BA																			
0	9			H	C	n	g	h	t	s	h	f	t						
									-	1	0	°	C						
P6 BB																			
0	A			H	C	p	a	r	a	s	h	f	t						
									5	°	C								
P6 BC																			
0	B			O	u	T	S	1	2	k	1	0	k						
										0									
P5 AR																			

10.12. **Checking the operating history**

The following graphs describe how to check the operating history of the boiler.

Operating screen:

H	E	A	T	I	N	G	:	b	o	i	l	e	r	o	f	f		
>	>	>	:	1	2	3	.	4	°	C	(1	2	3	.	4	°	C)

Press [MENU]

Select "Operate" using [◀] & [▶] and press [ENTER]

Main menu screen:

M	a	i	n		M	e	n	u										
O	p	e	r	a	t	e												

Press [◀] & [▶] to browse through the 5 screens.
 Press [MENU] or [ENTER] to exit. The unit will return to the operating screen.

SCREEN: 1

O	p	e	r	a	t	i	n	g		h	i	s	t	o	r	y				
P	o	w	e	r	O	n				h	r	s			1	3	1	4	0	0

Top line: Shows the operating history menu is activated.
 Bottom line: Total hours the boiler is connected to power supply and switched on.

SCREEN: 2

h	r	s	C	h				T	o	t				1	0	0	0	0	0	0
h	r	s	D	h	w			T	o	t				1	0	0	0	0	0	0

Top line: Total burning hours for heating.
 Bottom line: Total burning hours for domestic hot water.

SCREEN: 3

h	r	s	C	h				<	5	0	%			1	0	0	0	0	0	0
h	r	s	C	h				=	>	5	0	%			1	0	0	0	0	0

Top line: Burning hours for heating while the burner was firing less than 50%.
 Bottom line: Burning hours for heating while the burner was firing equal or higher than 50%.

SCREEN: 4

h	r	s	D	h	w			<	5	0	%		:	1	0	0	0	0	0	0
h	r	s	D	h	w			=	>	5	0	%		:	1	0	0	0	0	0

Top line: Burning hours for hot water while the burner was firing less than 50%.
 Bottom line: Burning hours for hot water while the burner was firing equal or higher than 50%.

SCREEN: 5

T	i	a	1	0	0	0	0	F	i	a				1	0	0	0	0	0	0
S	s	l	1	0	0	0	0	S	s	t				1	0	0	0	0	0	6

Top line: Shows Total Ignition Attempts (Tia) & Failed Ignition Attempts (Fia)
 Bottom line: Shows Soft Starts last (Ssl) & Soft Starts Total (Sst)

10.13. Checking the fault history

The following graphs describe how to check the fault history of the boiler.

Operating screen:																			
H	E	A	T	I	N	G	:	b	o	i	l	e	r	o	f	f			
>	>	>	:	1	2	3	.	4	°	C	(1	2	3	.	4	°	C)
Press [MENU]																			
Select "Faultist" using [◀] & [▶] and press [ENTER]																			
F	a	u	l	t	h	i	s	t							N	o	.	0	1
2	1	/	0	4	/	2	0	1	0	W	e	d		2	2	:	2	3	A
▲ blinking in turn ▼																			
S	i	p	h	o	n		S	w	i	t	c	h							
S	v	9	9	9	/	C	U	M	9	9	9	/	R	9	9	9	9	,	5
Press [◀] & [▶] to browse through the last 10 faults.																			
Press [MENU] or [ENTER] to exit. The unit will return to the operating screen.																			
The fault menu shows the last 10 faults. For each fault the display blinks between the two screens shown above. The top line of the top screen shows the fault number and the bottom line of the top screen shows the date, day and time the fault occurred.																			
On the top line of the bottom screen the fault type is displayed. The bottom line shows the following:																			
SV: The total amount of this fault that has occurred after the last time that the service history was erased (after service was done).																			
CUM: The total amount of this fault. The total amount cannot be erased after service, this shows the fault history of the boiler (electronics) since the start of operation.																			
R: Shows the elapsed time in hrs between the moment the fault occurred and the moment it was reset.																			

10.14. Setting the maintenance specifications

The following graphs describe how to check and program the maintenance settings. The standard factory setting for this function is "OFF".

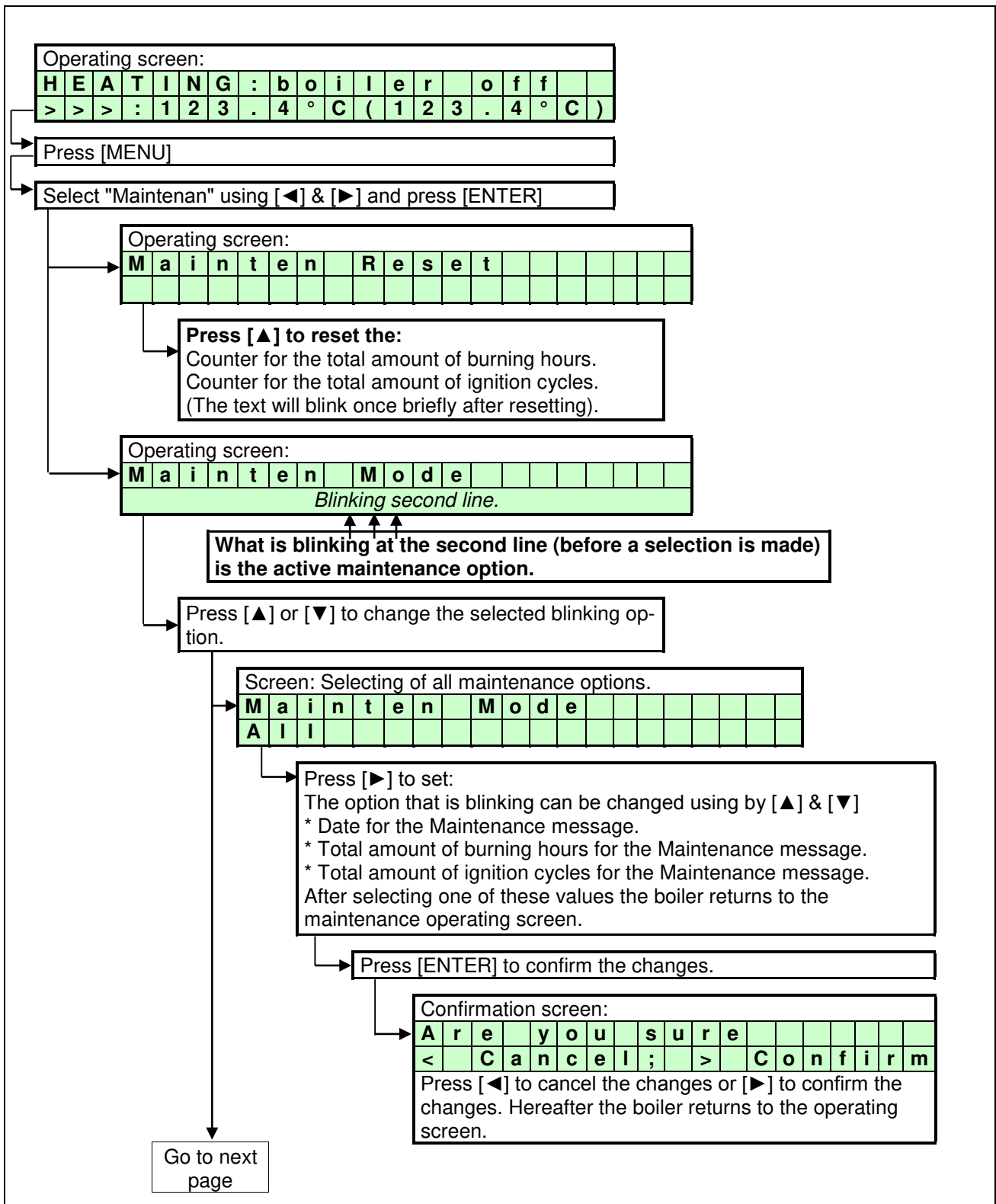
MAINTENANCE SETTINGS

The unit can be programmed in such a way that an automatic maintenance message is displayed.

There are three options that can be selected. A maintenance message appears after:

- * A programmed date is reached.
- * An amount of burning hours is reached.
- * An amount of ignition cycles is reached.

One single option can be activated or all three options.



From previous page

Screen: Selecting message at certain date.
M a i n t e n M o d e
D a t e

Press [▶] to set:
The date for the maintenance message.

Press [◀] to:
Return to maintenance mode selection.

Press [▶] to browse through the values that can be set
at the bottom line.
The blinking value can be changed with [▲] & [▼]

Press [ENTER] to confirm the changes.

Confirmation screen:
A r e y o u s u r e
< C a n c e l ; > C o n f i r m
Press [◀] to cancel the changes or [▶] to confirm the
changes. Hereafter the boiler returns to the operating
screen.

Screen: Message after total amount of ignition cycles.
M a i n t e n M o d e
I g n i t i o n c y c l e s

Press [▶] to set:
The total amount of ignition cycles for the Maintenance message.

Press [◀] to:
Return to maintenance mode selection.

The blinking value can be changed with [▲] & [▼]

Press [ENTER] to confirm the changes.

Confirmation screen:
A r e y o u s u r e
< C a n c e l ; > C o n f i r m
Press [◀] to cancel the changes or [▶] to confirm the
changes. Hereafter the boiler returns to the operating
screen.

Go to
next page

From previous page

Screen: Message after total amount of burning hours.
M a i n t e n M o d e
B u r n i n g h o u r s

Press [▶] to set:
The total amount of burning hours for the Maintenance message.

Press [◀] to:
Return to maintenance mode selection.

The blinking value can be changed with [▲] & [▼]

Press [ENTER] to confirm the changes.

Confirmation screen:
A r e y o u s u r e
< C a n c e l ; > C o n f i r m
Press [◀] to cancel the changes or [▶] to confirm the changes. Hereafter the boiler returns to the operating screen.

Screen: No maintenance message will be displayed.
M a i n t e n M o d e
M a i n t e n O f f

Press [ENTER] to confirm the changes.

Confirmation screen:
A r e y o u s u r e
< C a n c e l ; > C o n f i r m
Press [◀] to cancel the changes or [▶] to confirm the changes. Hereafter the boiler returns to the operating screen.

Note: The [MENU] button will return the display to the operating screen.

BE AWARE: This function is standard turned off. We offer this programmable function so the installer can use it as a reminder. Because it concerns a free programmable function the use of it cannot be used as an argument in warranty cases.

Our units must be maintained every twelve months whatever the settings/working of this function.

It is and remains the responsibly of the end user to have the unit maintained every twelve months.

10.15. Setting the user lock

The following graphs describe how to activate the user lock of the display. The standard factory setting for this function is "OFF".

<p>The "USER LOCK" menu. In this menu the boiler can be locked for (end-)users. 0 = UNLOCKED 1 = LOCKED</p>																																								
<p>When the boiler is unlocked, the user can enter the MENU by pressing the menu button and all screens will show up.</p>																																								
<p>When the boiler is locked, the user has to push the: [MENU] button together with the [▼] button for 5 s. to access all menu screens.</p>																																								
<p>This function is to prevent accidental changes. NOTICE: The PARAMETER screen is always accessible.</p>																																								
<p>Operating screen:</p> <table border="1" style="width: 100%; text-align: center; border-collapse: collapse;"> <tr> <td>H</td><td>E</td><td>A</td><td>T</td><td>I</td><td>N</td><td>G</td><td>:</td><td>b</td><td>o</td><td>i</td><td>l</td><td>e</td><td>r</td><td>o</td><td>f</td><td>f</td><td></td><td></td> </tr> <tr> <td>></td><td>></td><td>></td><td>:</td><td>1</td><td>2</td><td>3</td><td>.</td><td>4</td><td>°</td><td>C</td><td>(</td><td>1</td><td>2</td><td>3</td><td>.</td><td>4</td><td>°</td><td>C</td><td>)</td> </tr> </table>	H	E	A	T	I	N	G	:	b	o	i	l	e	r	o	f	f			>	>	>	:	1	2	3	.	4	°	C	(1	2	3	.	4	°	C)	
H	E	A	T	I	N	G	:	b	o	i	l	e	r	o	f	f																								
>	>	>	:	1	2	3	.	4	°	C	(1	2	3	.	4	°	C)																					
<p>Press [MENU]</p>																																								
<p>Select "User lock" using [◀] & [▶] and press [ENTER]</p>																																								
<p>User lock screen:</p> <table border="1" style="width: 100%; text-align: center; border-collapse: collapse;"> <tr> <td>S</td><td>e</td><td>t</td><td></td><td>U</td><td>s</td><td>e</td><td>r</td><td>l</td><td>o</td><td>c</td><td>k</td><td>=</td><td>0</td><td></td><td></td><td></td><td></td><td></td><td></td> </tr> <tr> <td></td><td></td><td></td><td></td><td>0</td><td></td><td></td><td></td><td></td><td></td><td></td><td></td><td></td><td></td><td></td><td></td><td></td><td></td><td></td><td></td> </tr> </table>	S	e	t		U	s	e	r	l	o	c	k	=	0											0															
S	e	t		U	s	e	r	l	o	c	k	=	0																											
				0																																				
<p>The "0" is now blinking/selected and can be changed. Use [▲] & [▼] to change the value. 0 = User lock function OFF 1 = User lock function ON</p>																																								
<p>Press [ENTER] for the confirmation screen after the selection has been made.</p>																																								
<p>Confirmation screen:</p> <table border="1" style="width: 100%; text-align: center; border-collapse: collapse;"> <tr> <td>A</td><td>r</td><td>e</td><td></td><td>y</td><td>o</td><td>u</td><td></td><td>s</td><td>u</td><td>r</td><td>e</td><td></td><td></td><td></td><td></td><td></td><td></td><td></td><td></td> </tr> <tr> <td><</td><td>C</td><td>a</td><td>n</td><td>c</td><td>e</td><td>l</td><td>;</td><td>></td><td></td><td>C</td><td>o</td><td>n</td><td>f</td><td>i</td><td>r</td><td>m</td><td></td><td></td><td></td> </tr> </table>	A	r	e		y	o	u		s	u	r	e									<	C	a	n	c	e	l	;	>		C	o	n	f	i	r	m			
A	r	e		y	o	u		s	u	r	e																													
<	C	a	n	c	e	l	;	>		C	o	n	f	i	r	m																								
<p>Press [◀] to cancel the changes (the unit will reset and the display returns to the operating screen).</p>																																								
<p>Press [▶] to confirm the changes. The changed value will be blinking for a few seconds. After this, the display returns to the operating screen.</p>																																								
<p>NOTICE:</p>																																								
<p>Using the [MENU] button during the User lock display will re-set the boiler and the boiler will return to the operating screen. Changes will be neglected in this case.</p>																																								

10.16. Setting the parameters with the display menu

The functions of the controller are embedded in the electronics by means of parameters. The values and settings hereof can be programmed by a skilled and trained service engineer with the help of a computer (laptop), the correct software and an interface cable. A selection of these parameters can be programmed at the control panel of the unit itself, without the use of a computer.

The following table gives a list of all parameters that can be programmed at the control panel without the use of a laptop/computer. NOTICE: Only the password for level 1 is issued in this manual. "More advanced" parameters need to be programmed by a skilled and trained service engineer with access to level 2.

When 'Modify = no', the parameter can only be programmed at level 2						PASSWORD: 1342	
MEN U		PARA- METER	DESCRIPTION	UNITS	TEXT DISPLAY	LEVEL 1 Modify	
HEATING	A	1	P5BE	Step modulation (1=on 0=off)	-	S t e p m o d u l	no
		2	P5AO	Blocking offset flow temperature control	°C	H E s O f f 1 3	yes
		3	P5AP	Proportional range temperature control	°C	H E s P r b 1 3	no
		4	P5AL	Hysteresis CH Flow temperature control	°C	H E s c D i f 1 3	yes
		5	P2IC	Integration time temperature control	s	H E s I n t 1 3	no
		6	P2MI	Blocking offset System CH temperature control	°C	H E c O f f 3	yes
		7	P2MJ	Proportional range System CH temperature control	°C	H E c P r b 3	no
		8	P2MK	Integration time CH temperature control	s	H E c I n t 3	no
		9	P5AB	Timer Contact (1=on)	-	T i m e r C o n t	yes
DHW	B	1	P4AB	DHW Pump Config 0=Pump 1=TWV	-	D H i p m p / t w v	yes
		2	P5CB	Flow temperature DHW tank low	°C	D H i f l o w L O	yes
		3	P5CK	Flow temperature DHW tank hi	°C	D H i f l o w H I	yes
		4	P5CL	Low Flow temperature time DHW	min	D H i L O t i m e	yes
		5	P5CD	Legionella temperature	°C	L e g i o t e m p	no
		6	P5CI	Legionella hyst DHW tank temperature	°C	L e g i o h y s t	no
		7	P5CJ	Legionella hold time (0=off)	min	L e g i o h o l d	no
		8	P2KI	CH interrupt by Legionella (0=yes)(1=no)	-	L e g i o i n t r	no
		9	P2LC	Regulation temperature offset DHWd	°C	D H d s c O f f 2	yes
		A	P2MN	Proportional range DHWd modulation	°C	D H d s c P r b 2 3	no
		B	P2LD	Regulation temperature hysteresis DHWd	°C	D H d s c D i f 2	yes
		C	P2MO	integration time DHWd modulation	s	D H d s c I n t 2 3	no
		D	P2ML	Sys temp blocking offset DHW tank	°C	D H d s c O f f 3	yes
		E	P2MM	Sys temp blocking hysteresis DHW tank	°C	D H d s c D i f 3	yes
F	P5CA	Hysteresis DHW tank temperature	°C	D H i s c D i f 4	yes		
G	P2KH	Gradient heat demand detect DHW tank temp.	°C	D H i d e t g r a d	yes		
CASCADE	C	1	P2MA	Max number extra boilers	-	M a x C a s c U n t	no
		2	P5DA	Bus address boiler	-	B u s a d r e s s	no
		3	P5DC	Dhw on entire cascade(0) only master(1)	-	D H i c a s / m a s	no
		4	P5DE	Extra Boiler output enable(1)	-	E x t r a u n i t	yes
		5	P5DF	Cascade detection (0=standalone 1=Leader)	-	C a s S i / M a	no
		6	P5BL	Power off total cascade (1)	-	P w r O f f T o C a	no
		7	P5DB	Number of boilers with common flue 0=None	-	C o m F l u N u m	no
GENERAL	D	1	P5BB	Analogue input Config (0=off 1=temp 2=power)	-	A n I n p C o n	yes
		2	P5AI	Minimum Temperature 0-10V input	°C	0 - 1 0 M i n T m p	yes
		3	P5BI	Altitude (in amounts of 100 ft.)	100 ft	A l t * 1 0 0 f t	yes
		4	P2LK	Max cooling time	min	M a x C o o l T i m	yes
		5	P5BJ	Temperature display 1=on	-	T e m p O n D i s p	yes
		6	P4AA	DHW 0=off 1=Indirect 2=Direct	-	D H W 1 = i 2 = d	no
		7	P4AD	pressure 0=off 1=sensor and 2=switch	-	c o n f i g	no
		8	P4BD	Gas type values 0-2	-	g a s t y p e	no
		9	P4BE	Soft start type values 0-2	-	c o n f i g	no
		A	P5BN	Pump modes 0-3	-	c o n f i g	no

For extensive explanation see Ch. 11: 'Controlling options and settings', page 81 ff.

IMPORTANT: Do not change the parameters P2LC, P2LD, P2ML, P2MM and P5BI; they are present in the controller for different purposes than CH control. Changing these parameters may affect boiler operation negatively.

Parameter screens + concise explanation see next pages →

Operating screen:

H	E	A	T	I	N	G	:	b	o	i	l	e	r	o	f	f			
>	>	>	:	1	2	3	.	4	°	C	(1	2	3	.	4	°	C)

Press [MENU]

Select "Parameter" using [◀] & [▶] and press [ENTER]

Parameter menu:

I	n	s	t	a	l	l	e	r	c	o	d	e							
									0	0	0	0							



Enter the 4-digit code with the [◀] & [▶] and the [▲] & [▼] buttons and select [ENTER]

The code will blink a few seconds and when entered correctly, the following parameters will be displayed.

NOTICE: These codes are user based and give access to a selected number of parameters, which can be changed (Installer level 1/2).

Menu A: Heating

A	1			S	t	e	p	m	o	d	u	l							
								1											

Function to activate the step modulation:

0 = Off

1 = On

Menu A: Heating

A	2			H	E	s	o	f	f	1	3								
							4	°	C										

CH supply temperature setting. This parameter is the offset of the programmed CH temperature.

Menu A: Heating

A	3			H	E	s	P	r	b	1	3								
							2	5	°	C									

Select the CH supply temperature control. This parameter is the proportional range of the selected CH supply temperature.

Menu A: Heating

A	4			H	E	s	c	D	i	f	1	3							
							1	0	°	C									

Select the CH supply temperature control. This parameter is the hysteresis of the selected CH supply temperature.

Menu A: Heating

A	5			H	E	s	I	n	t	1	3								
							6	0	S	e	c								

Select the CH supply temperature control. This parameter is the integration time of the selected CH supply temperature.

Menu A: Heating

A	6			H	E		c	O	f	f	3								
							4	°	C										

Select the cascaded boilers supply temperature control. This parameter is the offset of the selected CH supply temperature of EACH boiler of the total cascade.

The screen texts on these pages are standard part of the software and apply to CH systems (boilers) and/or DHW devices (water heaters).

Menu A: Heating

A	7					H	E					c	P	r	b		3						
												2	5			°	C						

Select the cascaded boilers supply temperature control.
This parameter is the proportional range of the selected CH supply temperature of EACH boiler of the total cascade and of the external (cascade) sensor.

Menu A: Heating

A	8					H	E					c	I	n	t		3						
												8	0			S	e	c					

Select the cascaded boilers supply temperature control.
This parameter is the integration time of the selected CH supply temperature of EACH boiler of the total cascade and of the external (cascade) sensor.

Menu A: Heating

A	9					T	i	m	e	r	C	o	n	t									
											0												

Function to activate "external time controller":
0 = Off
1 = On
Connect to 11-12. Contact closed = daytime setting,
Contact open = night-time setting.

Menu B: Hot water

B	1					D	H	i	p	m	p	/	t	w	v								
											1												

Hot water function of the boiler by:
0 = pump
1 = 3-way valve

Menu B: Hot water

B	2					D	H	i	f	l	o	w		L	O								
											2	5			°	C							

Hot water function of the boiler. This parameter is the CH supply temperature LOW level with an indirect hot water demand.

Menu B: Hot water

B	3					D	H	i	f	l	o	w		H	I								
											8	5			°	C							

Hot water function of the boiler. This parameter is the CH supply temperature HIGH level with an indirect hot water demand.

Menu B: Hot water

B	4					D	H	i		L	O	t	i	m	e								
											1			M	i	n							

Hot water function of the boiler. This parameter is the selectable time period after which the boiler switches from LOW to HIGH set point with an indirect hot water demand.

The screen texts on these pages are standard part of the software and apply to CH systems (boilers) and/or DHW devices (water heaters).

Menu B: Hot water

B	C					D	H	d	s	c	I	n	t	2	3				
									2	0	0		S	e	c				

Function for the direct hot water boiler.
This parameter is the integration time of the selected HW temperature of the boiler.

Menu B: Hot water

B	D					D	H	d	s	c	O	f	f	3					
											4		°	C					

Function for the cascaded direct hot water boilers.
This parameter is the offset of the selected HW temperature of the cascaded boilers.

Menu B: Hot water

B	E					D	H	d	s	c	D	i	f	3					
											8		°	C					

Function for the cascaded direct hot water boilers.
This parameter is the hysteresis of the selected HW temperature of the cascaded boilers.

Menu B: Hot water

B	F					D	H	i	s	c	D	i	f	4					
											5		°	C					

Function for the indirect hot water supply of the boiler (tank).
This parameter is the hysteresis of the selected HW temperature of the calorifier/tank.

Menu B: Hot water

B	G					D	H	i	d	e	t	g	r	a	d				
											3		°	C					

Function for the indirect hot water supply of the boiler (tank).
This parameter detects an (an accelerated) hot water demand, when a larger (water) amount is being used.

Menu C: Cascade

C	1					M	a	x	C	a	s	c	U	n	t				
											1	1							

Function for the cascading of the boiler(s).
This parameter sets the total number of cascaded boilers. (Max. 12 boilers).

Menu C: Cascade

C	2					B	u	s	a	d	d	r	e	s	s				
											0								

Function for the cascading of the boiler(s).
This parameter determines the address of the boiler for the total cascading control.
Master = 0, Slave 1 = 1 etc.

Menu C: Cascade

C	3					D	H	i	c	a	s	/	m	a	s				
											0								

Function for the cascading of the boiler(s).
This parameter determines if only the Master boiler or all boilers of the cascade are used for indirect hot water.
0 = All
1 = Master

The screen texts on these pages are standard part of the software and apply to CH systems (boilers) and/or DHW devices (water heaters).

Menu C: Cascade

C	4					E	x	t	r	a		u	n	i	t				
												0							

Function for the cascading of the boiler(s).
 This parameter is activated when an external (extra) boiler is connected to the Master boiler. Connect to the Master connections 19-20.

Menu C: Cascade

C	5					C	a	s		S	i	/	M	a					
												0							

Function for the cascading of the boiler(s).
 This parameter sets the function of the boiler at a cascade alignment
 0 = Single / Slave unit
 1 = Master unit

Menu C: Cascade

C	6					P	w	r	O	f	f	T	o	C	a				
												0							

Function for the cascading of the boiler(s).
 This parameter determines the function of the Slave boilers when the Master boiler is switched off.
 0 = Slave boiler(s) continue operation
 1 = Slave boiler(s) switch off

Menu C: Cascade

C	7					C	o	m	F	l	u	N	u	m					
												0							

Function for the cascading of the boiler(s).
 This parameter determines the number of cascaded boilers, that are implemented with a common flue system.

Menu D: General

D	1					0	-	1	0	V	c	o	n	t	r				
												0							

Function for the external control of the boiler by using a 0-10 Volt signal (Connections 13-14).
 0 = No external control
 1 = Control based on temperature setting
 2 = Control based on power setting

Menu D: General

D	2					0	-	1	0	M	i	n	T	m	p				
												2	0	°	C				

Function for the external control of the boiler by using a 0-10 Volt signal (Connections 13-14).
 Control based on temperature (setting 1).
 The minimum (desired) CH water temperature when supplying a 1.4 Volt signal.

Menu D: General

D	3					A	i	t		*		1	0	0	f				
												0							

Function for setting the location height (above sea level) of the boiler.
 NOTICE: dimensions in English feet. One unit = 100 ft.
 Use this function only in consultation with the supplier / Loch-invar.

The screen texts on these pages are standard part of the software and apply to CH systems (boilers) and/or DHW devices (water heaters).

10.17. Fault codes display

The following graphs describe the lock out codes of the boiler. A lock out code can only be removed by a manual resetting of the boiler. NOTICE: Before resetting the boiler always check the boiler, central heating system and all components corresponding to the related lock out description. Never just reset the boiler, before analysing the possible cause of failure.

10.17.1. LOCK-OUT CODES

Having a lockout means that the boiler needs a manual reset to start operating again. When the boiler is in lockout the backlight of the display is blinking on and off.

Explanation > **9 9 9 , 5 : h r s** = time elapsed after fault & message.

Explanation > **P u m p 1 o n** = status of the pump during fault.

Display message	C l i x o n F a u l t
F15	p u m p o n 9 9 9 , 5 h r s

Reason Heat exchanger fuse or burner door clixon exceeded maximum allowed value.

Display message	F a i l e d b u r n e r s t a r t
F8	p u m p o n 9 9 9 , 5 h r s

Reason Boiler is not starting after the programmed starting attempts.

Display message	F a l s e f l a m e s i g n a l
F10	p u m p o n 9 9 9 , 5 h r s

Reason Flame signal is detected while it cannot be expected.

Display message	F a n s p e e d i n c o r r e c t
F11	p u m p o n 9 9 9 , 5 h r s

Reason The controller does not detect a correct fan speed.

Display message	F l a m e l o s t
F9	p u m p o n 9 9 9 , 5 h r s

Reason Flame detected during normal operation, but was lost while running.

Display message	F l o w h i g h T e m p
F1	p u m p o n 9 9 9 , 5 h r s

Reason Flow temperature exceeds the limit which has been set in the parameters.

Display message	F l o w R e t u r n d t f a u l t
F16	p u m p o n 9 9 9 , 5 h r s

Reason Temperature difference between flow and return exceeds limitation value, or 'dT block or delta direct block' has occurred three times.

Display message	F l o w s e n s o r e r r o r
F0	p u m p o n 9 9 9 , 5 h r s

Reason Flow sensor not detected by the boiler caused by faulty connection/sensor.

Display message	F l u e s e n s o r e r r o r
F6	p u m p o n 9 9 9 , 5 h r s

Reason Flue gas sensor not detected by the boiler caused by faulty connection/sensor.

Display message	F l u e t e m p t o o h i g h
F7	p u m p o n 9 9 9 , 5 h r s

Reason Flue gas temperature exceeds the limit more than 3 times within a certain time frame.

Display message	P a r a m / H a r d w	f a u l t							
F13	p u m p o n				9 9 9 , 5			h r s	

Reason Fault during programming of the boiler software parameters.

Display message	p r o g r a m m i n g	e n d							
F12	p u m p o n				9 9 9 , 5			h r s	

Reason Software parameters have been programmed.

Display message	R e t u r n	h i g h	T e m p						
F1	p u m p o n				9 9 9 , 5			h r s	

Reason The maximum return temperature as set in the parameters is exceeded.

Display message	R e t u r n	s e n s o r	e r r o r						
F3	p u m p o n				9 9 9 , 5			h r s	

Reason Return sensor not detected by the boiler caused by faulty connection/sensor.

Display message	W a t e r	h i g h	l i m i t						
F17	p u m p o n				9 9 9 , 5			h r s	

Reason Maximum thermostat (clixon) measured a too high flow temperature.

10.17.2. BLOCKING CODES

The following graphs describe the blocking codes of the boiler. A blocking code is only a temporary blocking of the boiler, because of an extraordinary situation. The boiler will continue to operate after stabilisation of this situation.

The display is not blinking, but is lightened up during the blocking period.

The boiler is blocking an action because of an extraordinary situation. This action will be continued after stabilisation of this situation.

Display message	A n t i c y c l e	t i m e							
					9 9 9 , 5			h r s	

Reason The controller received a new heat demand too quick after the last ended demand.

Display message	C a s c a d e	B l o c k							
					9 9 9 , 5			h r s	

Reason One of the cascaded boilers causes an error, because of a lock out.

Display message	D e a i r a t i o n								
					9 9 9 , 5			h r s	

Reason The boiler starts its deairation function and after will return to normal operation. This function can be activated by parameter P4AJ.

Display message	d T	b l o c k							
					9 9 9 , 5			h r s	

Reason Temperature difference between flow and return exceeds the blocking value but not the lock out value.

Display message	F l o w	t e m p	h i g h						
					9 9 9 , 5			h r s	

Reason Flow temperature has exceeded the blocking temperature, but it has not exceeded the lock-out value

Display message	F	l	u	e	t	e	m	p	h	i	g	h				
										9	9	9	,	5	h	r

Reason Flue gas temperature has exceeded the limit.

Display message	G	e	n	B	l	o	c	k								
										9	9	9	,	5	h	r

Reason The general blocking circuit is activated during operation = contact 7-8

Display message	L	i	n	e	f	a	u	l	t							
										9	9	9	,	5	h	r

Reason Wrong electrical power supply is connected (not 50 or 60 Hz, 220-240 Volt).

Display message	O	u	t	d	o	o	r	s	e	n	s	o	r	f	a	i	l
										9	9	9	,	5	h	r	s

Reason Outdoor temperature has exceeded the blocking temperature.

Display message	R	e	t	u	r	n	t	e	m	p	h	i	g	h			
										9	9	9	,	5	h	r	s

Reason Return temperature has exceeded the blocking temperature, but the return temperature has not exceeded the lock-out value.

Display message	T	2	-	T	1	h	i	g	h							
										9	9	9	,	5	h	r

Reason Temperature difference T2-T1 has exceeded the blocking value.

Display message	W	a	t	e	r	p	r	e	s	s	u	r	e	f	a	u	l	t
										9	9	9	,	5	h	r	s	

Reason Water pressure is too low or too high.

10.17.3. MAINTENANCE ATTENTION MESSAGES

The following graphs describe the messages at the boiler display. Depending on the selected and activated options for the boiler, it is possible that some messages will show up at the display of the boiler. For example, a maintenance message after a certain programmed date has been reached. The boiler will operate independently of these messages.

The display shows alternating the base screen and this message, while the backlight is blinking.

The boiler is operating, but will count the exceeding hours.

A parameter must be changed, after service, to remove this message.

Display message	N	e	e	d	s	M	a	i	n	t	e	n	a	n		0	.	0
	I	g	n	i	t	i	o	n	c	y	c	l	e	s		h	r	s

Reason: Maintenance option of total number of ignition cycles has been reached.

Display message	N	e	e	d	s	M	a	i	n	t	e	n	a	n		0	.	0
	D	a	t	e											h	r	s	

Reason: Maintenance option of the date has been reached.

Display message	N	e	e	d	s	M	a	i	n	t	e	n	a	n		0	.	0
	B	u	r	n	i	n	g	h	o	u	r	s			h	r	s	

Reason: Maintenance option of total number of burning hours has been reached.

Display message	N	e	e	d	s	M	a	i	n	t	e	n	a	n		0	.	0
	A	l	l												h	r	s	

Reason: One of the abovementioned maintenance options has been reached.

11. CONTROLLING OPTIONS AND SETTINGS

11.1. General

The following chapters describe some general functions of the boiler and their possible use.

11.1.1. EXTRA BOILER CONTROL

When all units (cascaded) are firing at their maximum it is possible to start an extra “external” heating source. This unit can be connected to the “Burner Burning” contacts (connection 19-20).

P5DE Extra boiler output enable (1) (display C4)

When this parameter is set at 1 the contact “Burner Burning” will close, but only when all units are firing at a certain (programmable) input percentage. The standard factory setting for this function is “OFF”.

11.1.2. MAX COOLING TIME

The fan will cool down the heat exchanger according to the temperature settings (parameters) of the software. With this cooling parameter the maximum run time of the fan can be programmed.

P2LK Max cooling time (display D4)

This function is not used for central heating boilers.

11.1.3. TEMPERATURE DISPLAY ON/OFF

Selection for showing the measured temperatures in the operation display of the boiler.

P5BJ Temperature display 1=on (display D5)

The measured temperature in the operation display.

0 = not visible

1 = visible

11.1.4. WATER PRESSURE

P4 AD pressure 0=off, 1=sensor, 2=switch (display D7).

When the water pressure exceeds 4 bar a pressure switch must be used instead of the sensor (suitable till 4 bar). With the switch, pressure can go up to 6 bar. In this case, remove the pressure sensor and replace it by the pressure switch.

Now set the parameter at the control panel by changing “D7 config” from 1 into 2.

11.1.5. GAS TYPE SELECTION

Settings for gas types: natural gas, propane or butane-propane mixture (B/P).

P4 BD Gas type (0=standard, 1=propane , 2=B/P) (display D8).

This parameter is set 0 for the common used gas types such as natural gas G20 or G25.

By setting this parameter 1 for propane, fan speed is reduced.

Set this parameter 2 for B/P.

0 = standard gas (e.g.: natural gas)

1 = propane

2 = B/P

By each setting, the relevant Soft start settings are automatically adjusted, depending on its main setting **P4BE**, see next section § 11.1.6.



Remark: For the CPM SP116 it is not necessary to use P4BD because the air restrictor kit for propane/butane must be used.

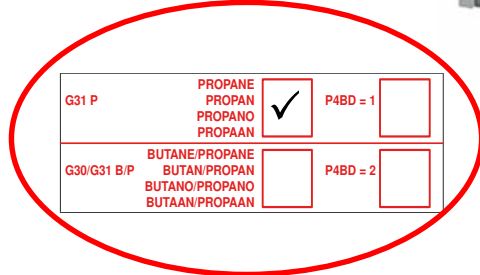


In case of gas conversion, paste the corresponding sticker at the appropriate position in the boiler and mark the square for the used gas type.

Because it is not necessary to set parameter P4BD leave the square for parameter B4BD blank.

G31 P	PROPANE PROPAN PROPANO PROPAAN	<input type="checkbox"/>	P4BD = 1	<input type="checkbox"/>
G30/G31 B/P	BUTANE/PROPANE BUTAN/PROPAN BUTANO/PROPANO BUTAAN/PROPAAN	<input type="checkbox"/>	P4BD = 2	<input type="checkbox"/>

(In the example on the right, 'propane is marked' and P4BD = blank).



11.1.6. SOFT START OPTION

Start parameters can be modified to achieve better start behaviour, in case of noise or other difficulties. This is done by reducing the fan ramp-up speed. Two reduced settings are available (I and II).

P4 BE Soft start (0=normal, 1=reduced fan ramp-up speed (I), 2= reduced fan speed ramp-up (II) (display D9).

- 0 = normal start-up
- 1 = reduced fan ramp-up speed (I)
- 2 = reduced fan ramp-up speed (II)

11.1.7. PUMP MODE (EC TECHNOLOGY)

When using a pump with Electronic Commutation technology and start-stop function, this parameter determines the relay for switching the pump on and off.

P5 BN Pump mode (0=normal, 1=relay1, 2= relay2, 3= relay3 (display DA).



Do not use the 230 Vac relay for the main power supply of the pump, but directly connect the pump to an external power supply.

A modulating pump with PWM control: the power supply is directly connected to the mains, the PWM connection is connected to CN10, contacts 9 and 18.

Pumps with an on/off control can be switched by one of the relay connections "lock-out", "burner burning" or "heat demand". Choose a connection which is not yet used.

- 0 = PWM 0-100% modulating pump, connection **CN10**, connectors 9 and 18
- 1 = Start-stop through relay **1**, connectors 17 and 18 (lock-out)
- 2 = Start-stop through relay **2**, connectors 19 and 20 (burner burning)
- 3 = Start-stop through relay **3**, connectors 21 and 22 (heat demand)
- 4 = Do not use (reserved for future applications).



The boiler pump must be controlled by the CPM SP116 boiler control. If, for any reason, an external pump control is applied *without written approval of LOCHINVAR LTD*, the complete warranty on the CPM SP116 boiler and all supplied parts will become invalid.

11.2. Heating

The following chapters describe the different functions of the boiler and their related “controlling behaviour settings” as a central heating boiler.

11.2.1. CONTROLLING BEHAVIOUR SETTINGS

The factory settings for all heating applications are working fine and it is therefore advised not to change these settings. If changes are needed always consult the Lochinvar for advice.

P5 AO Blocking offset flow temperature control (display A2).

The amount of degrees the measured temperature exceeds the active flow temperature set point before the heat demand stops. Only active when the unit is controlled by the internal flow sensor (S1) and used for single unit control.

P5 AL Hysteresis CH Flow temperature control (display A4).

The amount of degrees that the measured temperature must drop, relative to the active flow temperature set point + Offset (Parameter **P5 AO**), before the heat demand starts. This function is active when the unit is controlled by the internal flow sensor (S1) and used for single units. When controlling cascaded units with an external system sensor (S3), this sensor will be used.

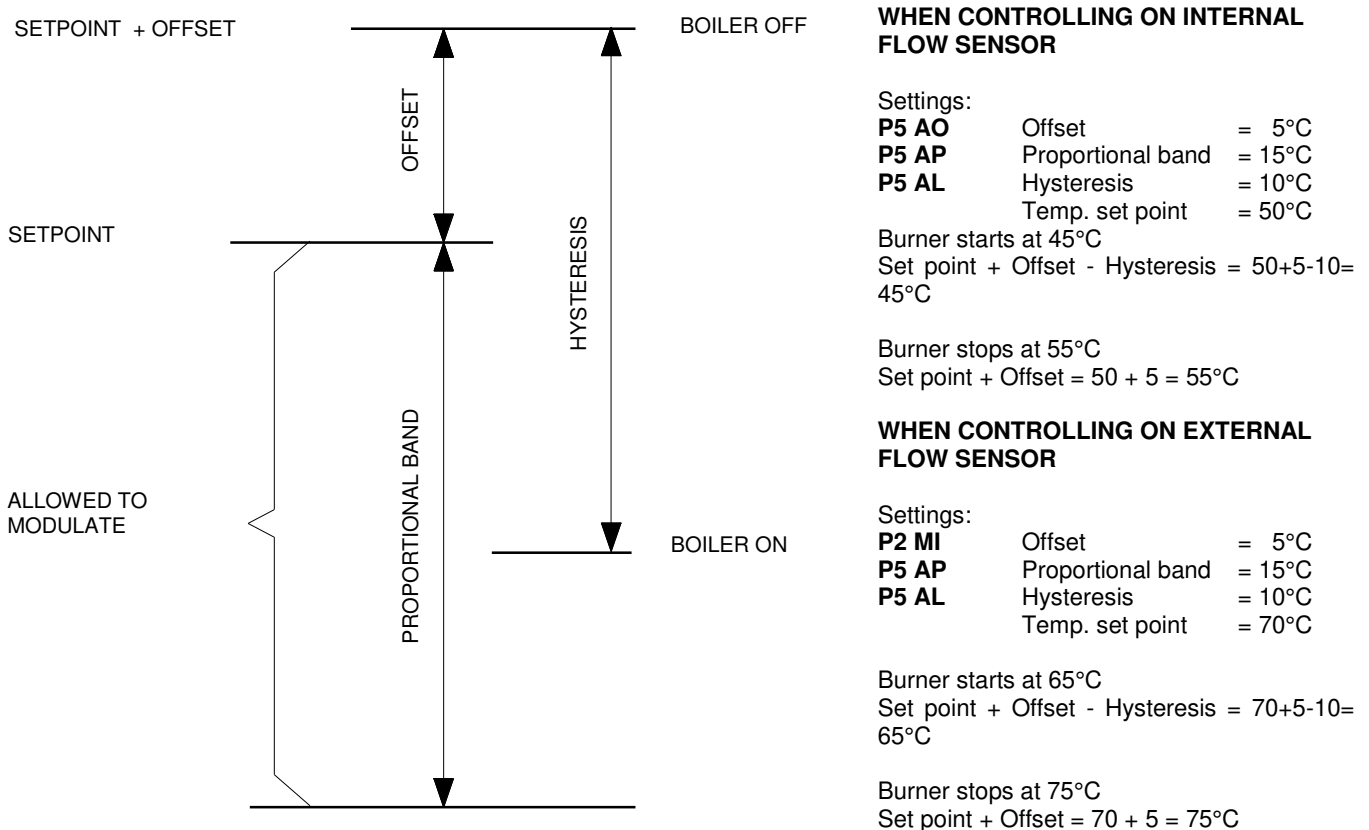
P5 AP Proportional range single heating boiler (display A3).

The proportional range for controlling the flow temperature of the boiler. This function is active when the unit is controlled by the internal flow sensor (S1) and used for single units. When controlling cascaded units with an external system sensor (S3), this sensor will be used.

P2 MI Blocking offset System CH temperature control (display A6).

The amount of degrees the measured temperature exceeds the active flow temperature set point before heat demand stops. Only active when the unit is controlled by an external system sensor (S3).

The following graph shows the relation between the several parameters.



Graph and values only for illustration purposes, programmed parameter values can deviate.

11.2.2. ROOM THERMOSTAT ON/OFF

A room thermostat with a fixed set point and using an ON/OFF control can be connected to the boiler (connections 11-12). Changing the flow temperature set point and activation of a timer program can be done by this room thermostat or by programming the boiler settings. See chapter 10.10.

11.2.3. ROOM THERMOSTAT OPEN THERM

An RC OpenTherm controller can be connected to the boiler for temperature reading(s) and remote programming (connections 11-12).

11.2.4. OUTDOOR TEMPERATURE RELATED FLOW CONTROL

The flow temperature can be calculated by using the measured outdoor temperature for controlling the boiler. See for detailed information § 10.11.

11.2.5. 0-10 VDC REMOTE FLOW TEMPERATURE SET POINT

The flow temperature is controlled by connecting an external 0-10 Vdc signal to the boiler (connections 13-14).

P5 BB Analogue input Config (0=off 1=temp 2=power) (display D1).

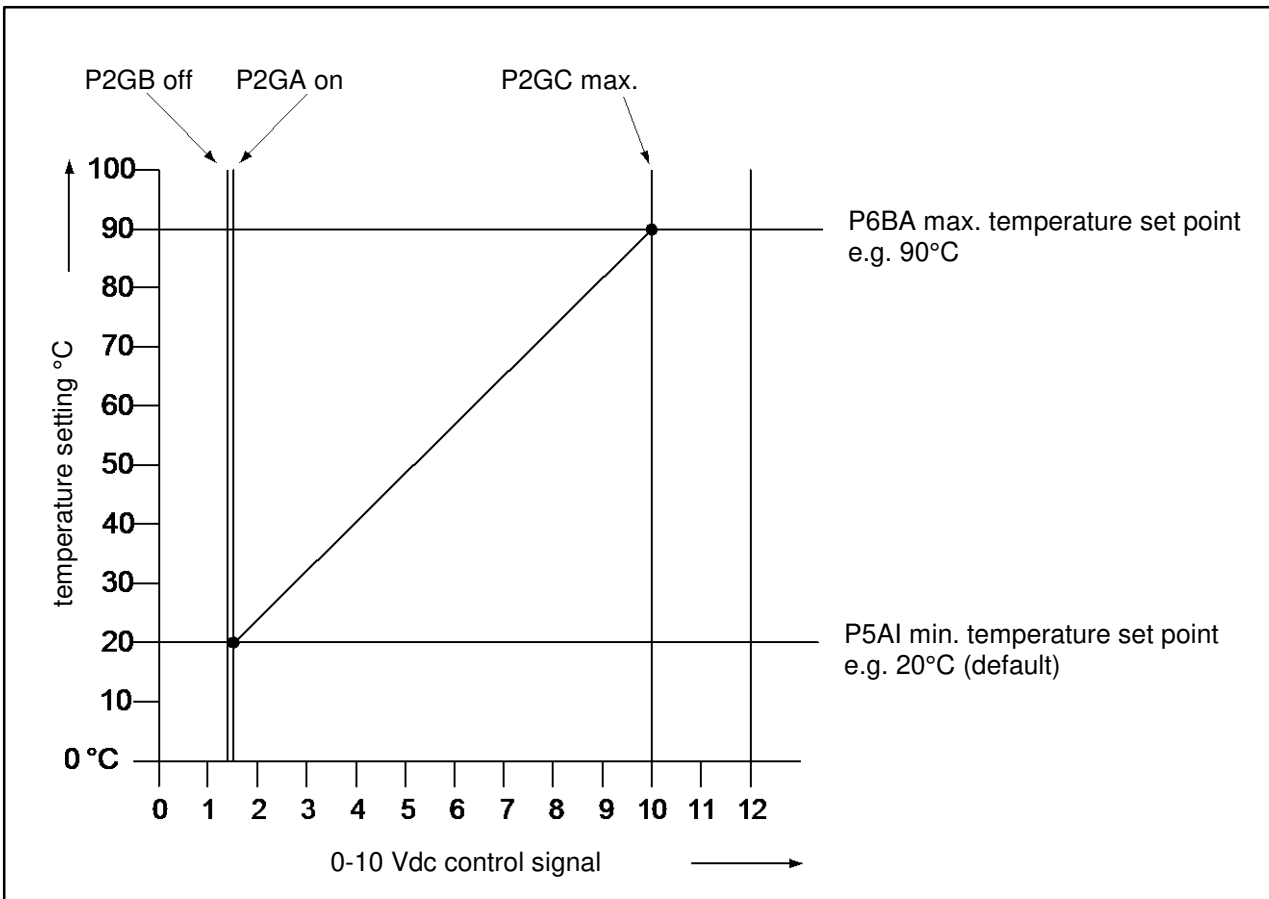
This parameter must be set at "1" so the supplied 0-10V dc signal will control the temperature set point. Possible settings are:

- 0 = 0-10V control off
- 1 = 0-10V temperature set point control active
- 2 = 0-10V burner input control active

P5 AI Minimum Temperature 0-10V input (display D2).

The standard starting temperature of the heat demand, when the minimum voltage signal is sent to the boiler. The factory settings for all heating applications are working fine and it is therefore advised not to change these settings. If changes are needed always consult the Lochinvar for advice.

See also the following graph for the relation between the temperature and the control signal.



Graph and values only for illustration purposes, programmed parameter values can deviate!

11.2.6. 0-10 Vdc REMOTE BURNER INPUT CONTROL

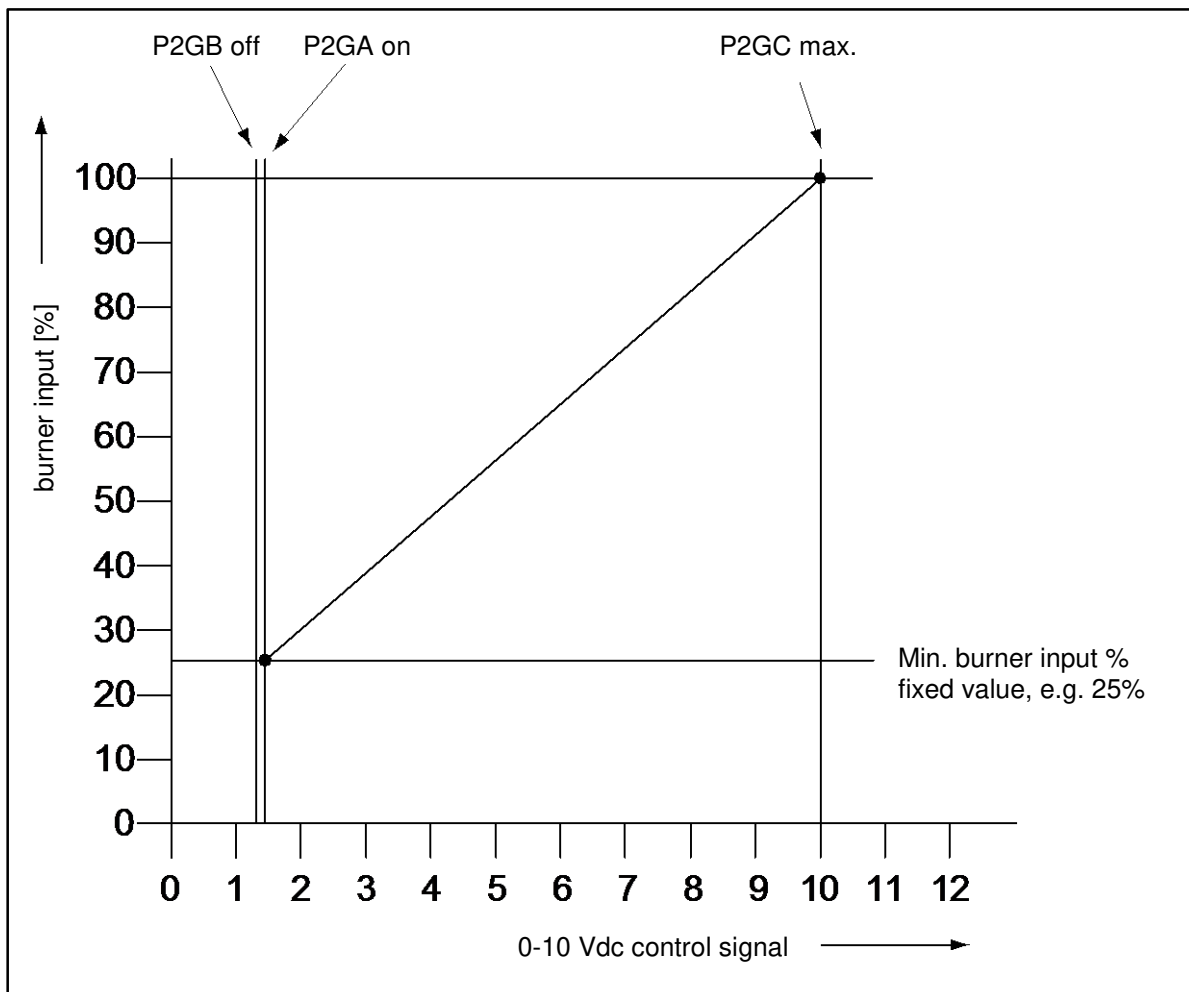
The burner input is controlled by connecting an external 0-10 Vdc signal to the boiler (connections 13-14).

P5 BB Analogue input Config (0=off 1=temp 2=power) (display D1).

This parameter must be set at "2" so the supplied 0-10V dc signal will control the burner input. The standard factory setting is "1", temperature set point control. Possible settings are:

- 0 = 0-10 V control off
- 1 = 0-10 V temperature set point control active
- 2 = 0-10 V burner input control active

See also the following graph for the relation between the burner input and the control signal.



Graph and values only for illustration purposes, programmed parameter values can deviate!

11.2.7. TIMER CONTACT FUNCTION

This function can be activated when using an external night reduction timer for heating. This timer contact can be connected to the thermostat terminals (connections 11-12).

P5 AB Timer Contact (1=on) (display A9).

When this parameter is activated and:

- The thermostat terminals are bridged (timer contact closed), the normal day-time temperature is used as set point.
- The thermostat terminals are not bridged (timer contact open), the night reduced temperature is used as set point.

11.3. Indirect hot water / calorifier

The following chapters describe the different functions of the boiler and their related “controlling behaviour settings” as a central heating boiler with an indirect hot water function.

11.3.1. PUMP AND 3-WAY VALVE CONTROL

See chapter 19 for several installation examples of the boiler and the preferred functions. When the boiler is used as an indirect boiler for both central heating and hot water function, this hot water function can be activated by using a DHW pump or a 3-way valve.

P4 AB DHW Pump Config 0=Pump 1=TWV (display B1)

Use this parameter to program whether the flow to the indirect water tank (calorifier) is controlled by a pump (0 = Pump) or a 3-way valve (1 = TWV).

11.3.2. TANK THERMOSTAT

An external thermostat can be connected to the boiler (connections 5-6). When there is a hot water demand and the tank thermostat closes, the boiler will start for the hot water demand. The calorifier/tank pump will be activated or in case of a 3-way valve, this valve will turn to the position to supply heat to the tank coil(s). In case of a heat demand and hot water demand, the CH pump will switch off until the hot water demand ends.

P4 AB DHW Pump Config 0=Pump 1=TWV (display B1)

Use this parameter to program whether the flow to the indirect water tank (calorifier) is controlled by a pump (0 = Pump) or a 3-way valve (1 = TWV).

11.3.3. TANK SENSOR

A tank sensor can be connected to the boiler. The tank (hot water) set point and related controlling parameters are set in the boiler controller. A hot water demand is detected by the boiler, when the sensor (water) temperature drops below the set point. The calorifier/tank pump will be activated or in case of a 3-way valve, this valve will turn to the position to supply heat to the tank coil(s). In case of a heat and hot water demand at the same time, the heating pump will switch off until the hot water demand is stopped (water temperature is reached).

P5 CA Hysteresis DHW tank temperature (display BF)

The amount of degrees that the hot water temperature in the indirect water tank/calorifier needs to drop relative to the hot water set point, before the heat demand is transported to the boiler.

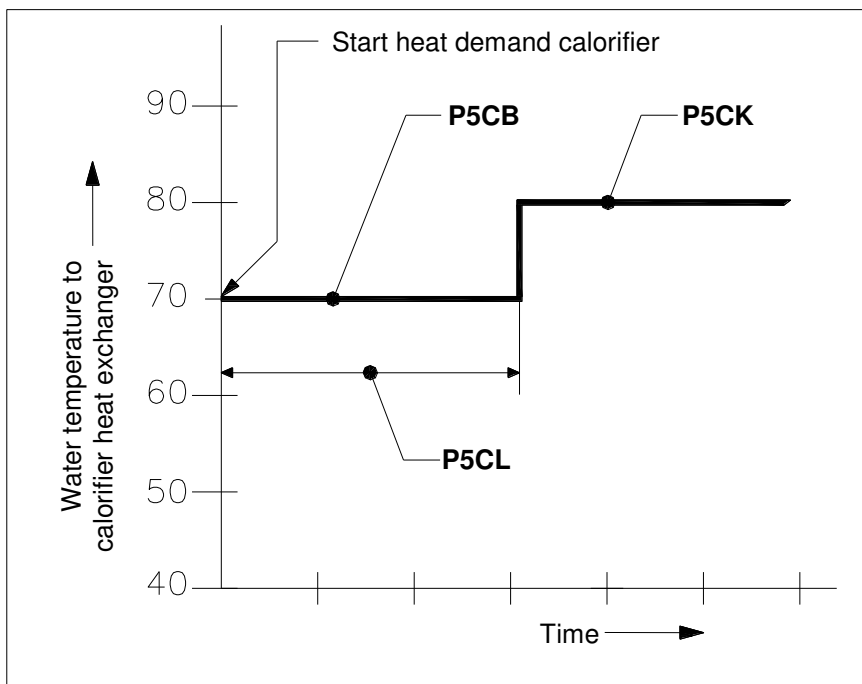
11.3.4. LOW/HIGH FLOW TEMPERATURE TO TANK COIL

This function can only be used for an “indirect” programmed boiler (parameter P4 AA = 1). Normally for a regular calorifier a fixed flow temperature of 85°C is supplied to the calorifier heat exchanger in case of a heat demand. This hot water flow will indirectly heat up the water in the calorifier tank.

The parameters for this function can be configured for both low and high calorifier operation.

This function operates as follows:

In case of a heat demand, the boiler supplies water to the heat exchanger of the calorifier, according to the flow temperature set in parameter **P5 CB**. When the heat demand remains for the period set in parameter **P5 CL**, the flow temperature set point will change to a higher temperature, which is set in parameter **P5 CK**. This situation continues until the heat demand ends.



The reason for this function is that the boiler by supplying a lower flow temperature to the heat exchanger of the calorifier, can stay in its condensing mode (if the temperature is low enough) and thus operate at a higher efficiency level. When it takes too long ($> P5 CL$) to heat up the tank with this low temperature mode, the flow temperature set point will change to a higher setting to make sure that the hot water set point is reached.

P5 CB Flow temperature DHW tank low (display B2)

The low-level flow temperature to the tank coil(s) in case of a calorifier/indirect hot water demand. This “two staged” function is added to keep the boiler in the condensing mode as long as possible.

P5 CK Flow temperature DHW tank high (display B3)

The high-level flow temperature to the tank coil(s) in case of a calorifier/indirect hot water demand.

P5 CL Low flow temperature time DHW (display B4)

The programmed period for changing the set point of the water flow temperature from low to high. The standard factory setting for this function is “OFF”.

11.3.5. HEATING AND HOT WATER SWITCHING TIME

This function can only be used for an “indirect” programmed boiler (parameter **P4 AA = 1**). In case there is a heating demand and the unit is operating for this heating demand, also a hot water demand can be activated. A hot water demand always has priority, this means that the unit will switch to hot water operation. When the hot water demand remains for a longer period, there will be no heat supply for/to the central heating system during this period. Not supplying any heat for/to the central heating system might cause undesirable temperature fluctuations. The following parameters can be used to program the preferred settings.

P5 CL Low flow temperature time DHW (display B4)

The period during which the set point of the water flow temperature (to the heating coil(s) of the calorifier) will switch from “low” to “high”.

P5 CF Max runtime DHW during CH demand

The programmed period for the boiler to operate for DHW demand in case of a CH demand. After this period the boiler will switch to operate for CH demand, even when there is still a DHW demand.

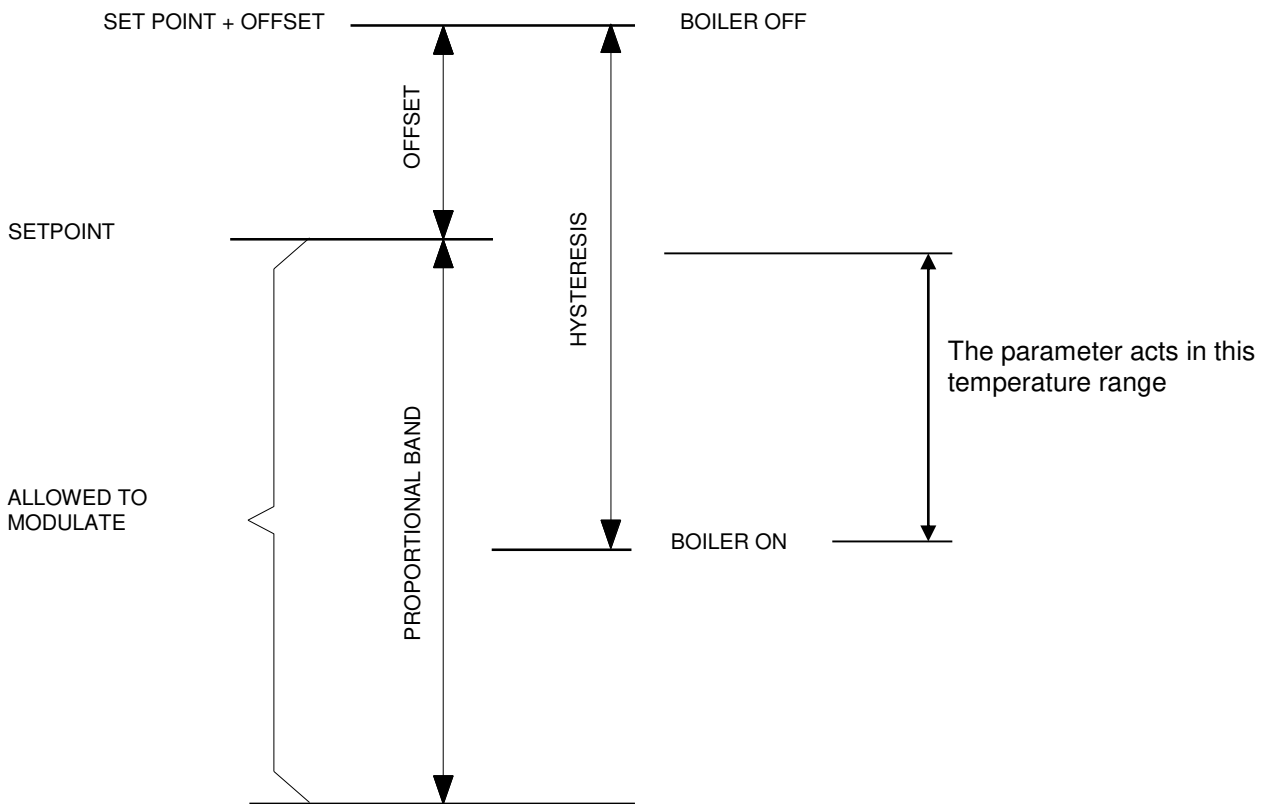
P5 CM Max runtime CH during DHW demand

The programmed period for the boiler to operate for CH demand in case of a DHW demand. After this period the boiler will switch to operate for DHW demand, even when there is still a CH demand.

The standard factory setting for this function is that the hot water demand always has priority and that no switching between the heat and hot water demand happens, when both are active.

11.3.6. HEATING AND HOT WATER SWITCHING AT SUDDEN TEMPERATURE DROP

This function can be used to detect indirect water tank/calorifier heat demand in case of a sudden temperature drop within the range between the set point and the (minimum) value at which the boiler is normally switched on. For this parameter is chosen the value of the temperature drop detected within one second, at which an immediate indirect hot water demand is activated.



P2KH Gradient heat demand detect DHW tank temperature (display BG)

See the given explanation. The standard factory setting for this function is “OFF”.

11.3.7. ANTI-LEGIONNAIRES' DISEASE FUNCTION (PASTEURISATION)

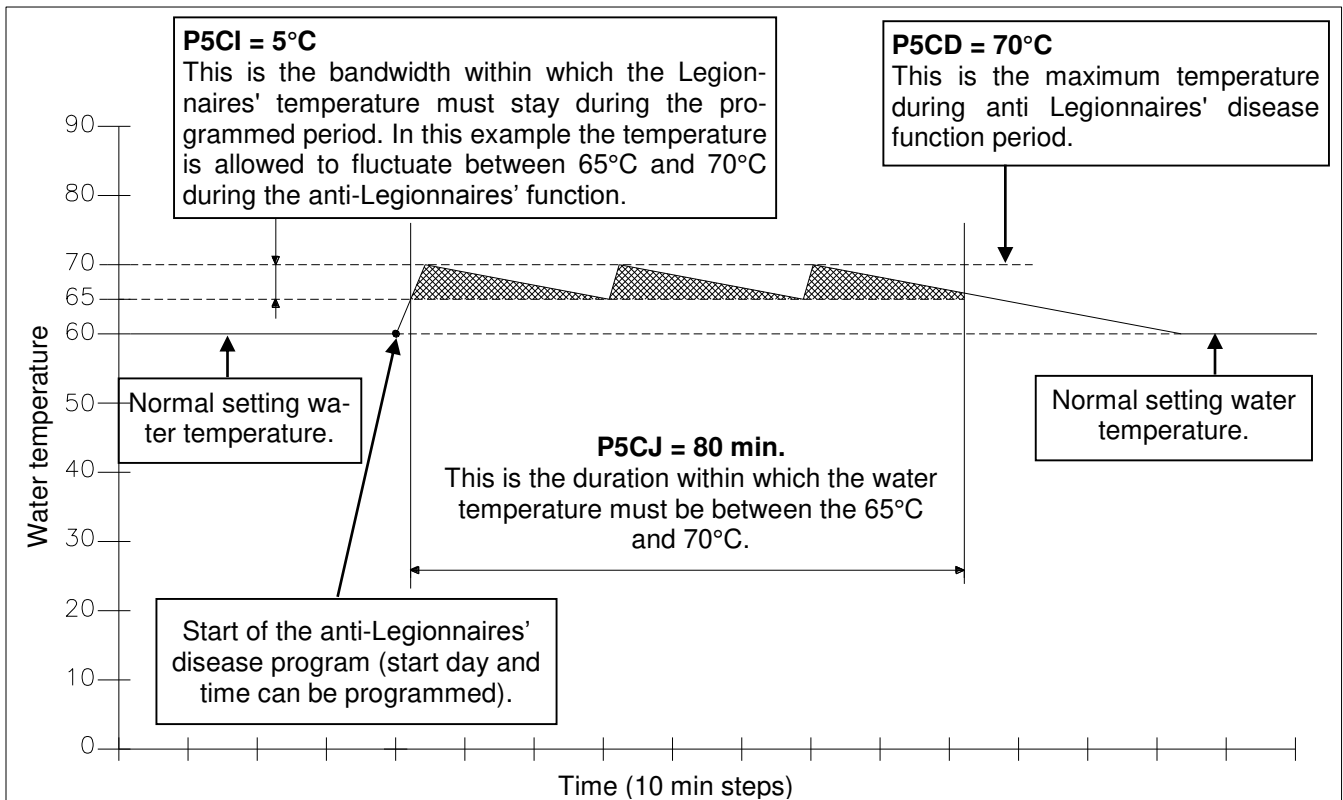
This function can only be used for an "indirect" programmed boiler (parameter **P4 AA** = 1), on which a DHW program is active.

To prevent Legionnaires' disease the boiler (software) provides a function for heating up the hot water storage tank (once a week) to a higher water temperature than the normal active hot water set point. Also the period, that this "higher" water temperature function must be active, can be programmed.

NOTICE: The standard factory setting for this Legionnaires' disease (pasteurisation) function is "OFF". To activate this Legionnaires' disease function, some parameters must be programmed by the Lochinvar/supplier. The starting day and starting time of this Legionnaires' disease function can be programmed at the control panel of the boiler.

There are several parameters being used for this function. Three of these parameters are shown in the following graph.

With parameter **P2 KI** the heating (CH) demand can be interrupted to provide heat for the anti-Legionnaires' disease demand. When no interruption is activated the boiler will wait for the end of the heat demand before the anti-Legionnaires' disease function starts. The standard factory setting for this function is "OFF".



Graph and values only for illustration purposes, programmed parameter values can deviate!

The settings of these parameters **P5 CI**, **P5 CJ** and **P5 CD** must be programmed according to all applicable anti Legionnaires' disease preventing regulations.

The setting of these parameters can only be done by the Lochinvar/supplier of the water heater or by a technician with access to programming level 2, at the control panel of the unit without the use of a computer.



NOTICE: The use and activation of this function won't guarantee a Legionnaires' disease free installation. The responsibility for a Legionnaires' disease free installation remains at the end-user/owner.

11.4. Cascade control

→ The following information is also found in the specific cascade manual, supplied standardly with LOCHINVAR LTD cascade accessories or on request.

Before commissioning a cascade installation, a number of parameters has to be changed. These parameters can be programmed on the unit itself, without the use of a computer.



Changes in parameter may only be carried out by a skilled commissioning/service engineer, who has had specific training for setting up the CPM SP116 range boilers. He will be able to check whether the installation functions correctly after the parameter change has been done.

For programming **all parameters** of the boilers one needs to have a laptop with the appropriate LOCHINVAR LTD software and an interface cable for connecting the laptop to the boiler control. This software is used for programming but also shows all measured temperatures and cascade behaviour during operation and service/fault history.

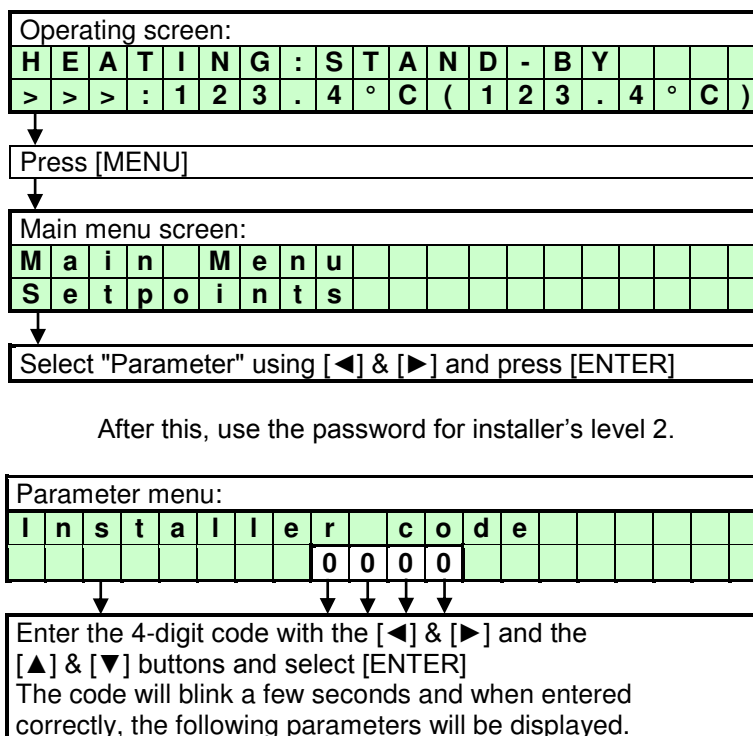
Service personnel must attend a training course at Lochinvar Ltd prior to having access to the software.

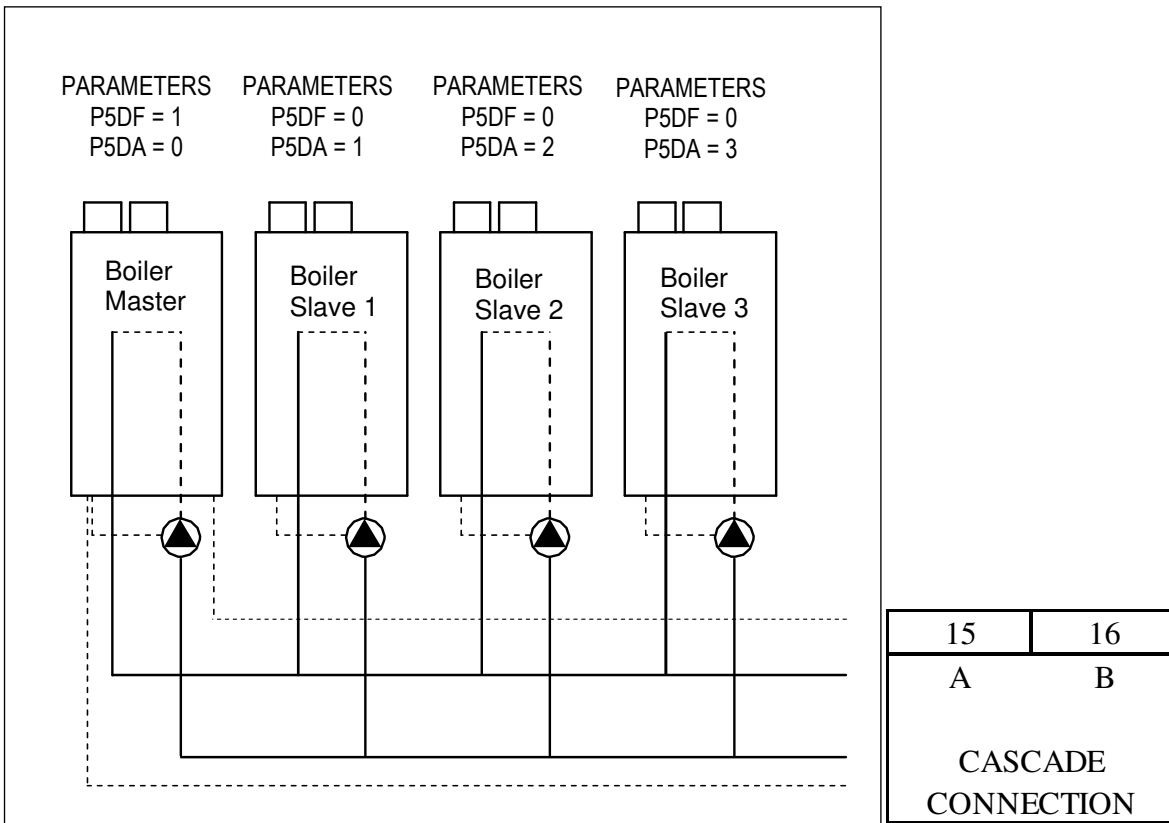
11.4.1. PARAMETER SETTINGS FOR CASCADED BOILERS

Before programming the cascaded boilers, make sure that all boilers are connected (wire) with each other. Use connection 15 and 16 of each boiler.

Remind: do not alternate these connections, so always connect 15 to 15 and 16 to 16.

After connection every boiler must be programmed. This can be done at the control panel. Press the [MENU] button and select the [PARAMETER] menu. See graphics below.





Now for every single boiler of the cascade the following two parameters must be selected and programmed according to the above drawing.

Master:

C5 P5 DF1
C2 P5 DA 0

Slave 1:

C5 P5 DF0
C2 P5 DA 1

Slave 2:

C5 P5 DF0
C2 P5 DA 2
And so on.

Menu C: Cascade															
C	5					C	a	s	S	i	/	M	a		
									0						
Function for the cascading of the boiler(s). This parameter sets the function of the boiler at a cascade alignment 0 = Single / Slave unit 1 = Master unit															

Menu C: Cascade															
C	2					B	u	s	a	d	d	r	e	s	s
									0						
Function for the cascading of the boiler(s). This parameter determines the address of the boiler for the total cascading control. Master = 0, Slave1 = 1, etc.															

When the correct parameter is set, this must be confirmed at the confirmation screen. After activation, the value will blink for a few seconds while the parameter is programmed into the boiler.

When cascade connection is programmed correctly the boiler display will show the following.

Explanation "Cascade communication indicator"

NO CASCADE COMMUNICATION

> > > no.1

Always showing the fixed ">>>"

CORRECT CASCADE COMMUNICATION

> > > no.1

> > > no.2

Showing alternating no.1 & no.2 with 1 second interval.

11.4.2. MONITOR SCREENS

To obtain cascade information, see § 10.4. on page 53.

11.4.3. OUTPUT CONTROL AND BOILER SEQUENCE

The total cascade set-up will act as one single big boiler, switching on- and off boilers, depending on the total load necessary to adjust and keep the flow temperature at the calculated value.

When the heat demand rises, more boilers are switched on, and when heat demand falls, one or more boilers will be switched off. The boiler that was switched on last, will be switched off first, see table below.

To distribute operating hours equally over all boilers, the working sequence of the boilers will change every two hours.

Hour	Switching ON sequence	Switching OFF sequence
X	Master – Slave 1 – Slave 2 – Slave 3 – Slave 4 – Slave 5 – Slave 6 – Slave 7	Slave 7 – Slave 6 – Slave 5 – Slave 4 – Slave 3 – Slave 2 – Slave 1 – Master
X+2	Slave 7 – Master – Slave 1 – Slave 2 – Slave 3 – Slave 4 – Slave 5 – Slave 6	Slave 6 – Slave 5 – Slave 4 – Slave 3 – Slave 2 – Slave 1 – Master – Slave 7
X+4	Slave 6 – Slave 7 – Master – Slave 1 – Slave 2 – Slave 3 – Slave 4 – Slave 5	Slave 5 – Slave 4 – Slave 3 – Slave 2 – Slave 1 – Master – Slave 7 – Slave 6
X+6	Slave 5 – Slave 6 – Slave 7 – Master – Slave 1 – Slave 2 – Slave 3 – Slave 4	Slave 4 – Slave 3 – Slave 2 – Slave 1 – Master – Slave 7 – Slave 6 – Slave 5
.....

Table: boiler sequence example of an eight-boiler cascade.

In this table a total of eight boilers (one master, seven slaves) is mentioned as an example, in practice the maximum number in a cascade, without extra (external) control, is twelve boilers.

cause the so called “boiling noises”. Check during this “service function” operation also the flow and return temperatures of the boiler by pressing the [◀] button once. The temperature difference of the flow and return must be at least 13°C and maximum 25°C. This temperature difference indicates that there is a sufficient water flow over the boiler; this water flow protects the heat exchanger against possible damage caused by a thermal overload.

Another safety feature of the boiler, to make sure that there is enough water flow over the boiler, is the monitoring of the flow and return temperatures (T2 and T1). When the temperature difference (delta T) between the flow and return exceeds a certain (set) value, the following warning messages will be shown in the display.

Display message	T	2	-	T	1	h	i	g	h									
											9	9	9	,	5	h	r	s

Reason: Temperature difference T2-T1 has exceeded the blocking value, as set in the parameters.

Display message	d	T	B	l	o	c	k											
											9	9	9	,	5	h	r	s

Reason: Temperature difference between flow and return has exceeded the blocking value, but not the lock out value.

When the Delta T value exceeds the lock-out setting, the boiler will switch off and the following lock out code will be shown at the display.

Display message	F	l	o	w	R	e	t	u	r	n	d	t	f	a	u	l	t	
F16	p	u	m	p	o	n					9	9	9	,	5	h	r	s

Reason: Temperature difference between flow and return exceeds limitation value, or 'dT Block' has occurred 3 times.

When these messages appear and/or the boiler will lock out, it means that there is not enough flow over the boiler. In this case check the functioning of the pump.

The boiler has no built-in water flow switch. If there is the possible risk of a water flow blockage of the (external) heating system, the following pre-cautions can be taken to ensure a water flow over the boiler:

- Separate the boiler circuit from the (external) heating circuit by using a low loss header or plate heat exchanger.
- When the boiler is not equipped with an internal (built in) water pressure switch, install a water pressure switch externally, in series with the room thermostat.

During and after the commissioning of the boiler, the operation of the boiler pump must be checked, before leaving the installation room.

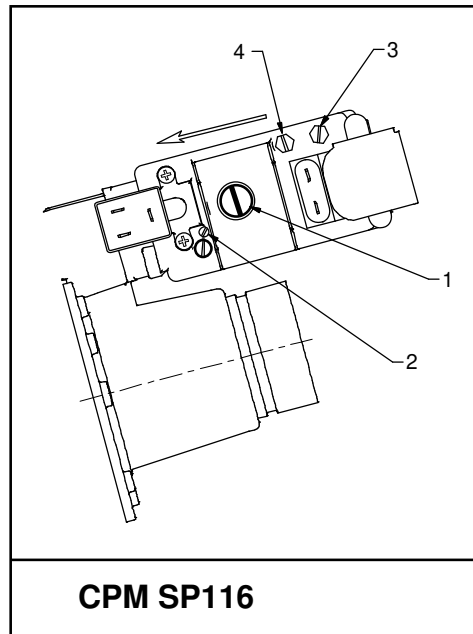
NOTICE: Always check the running of the pump before firing the boiler.

13. STARTING THE BOILER

13.1. General

The gas input pressure for the boiler to operate properly under the correct load, must be at high fire more or equal to the minimum gas inlet pressure for the supplied gas type, as stated in the technical specification data table on page 8&9.

The graph shows the position of the pressure nipple (3) for the boiler:



13.2. Firing for the first time

After the commissioning of the boiler and the described previous actions, the boiler display will show the following graph.

Display message	H	E	A	T	I	N	G	:	N	o	d	e	m	a	n	d				
	>	>	>	:	1	2	3	.	4	°	C	(1	2	3	.	4	°	C)

Reason: Boiler is active, but there is no heat demand.

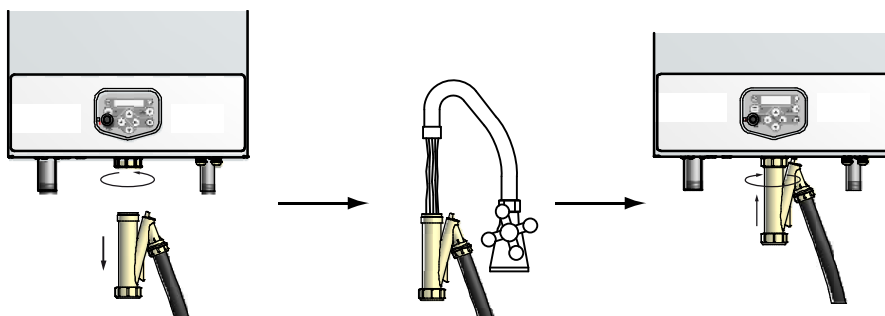
The display describes:

- The actual operation for heating or hot water
- If a heat demand is activated
- The temperature setting
- The temperature measured

When mounting the bottom part of the siphon, before commissioning the boiler and/or after maintenance, the siphon must **ALWAYS** be completely filled with water.



This is a safety measure: the water in the siphon keeps the flue gases from leaking into the plant room via the condensate drain.



14. ADJUSTING AND SETTING THE BURNER



Before carrying out any adjusting of the burner, carefully read this complete chapter.

14.1. Introduction

The burner must always be adjusted in the next situations:

- A.** - A new boiler is installed
- As part of a service/maintenance check, in case the CO₂ values turn out to be incorrect.
- B.** - The gas control safety valve has been (re)placed
- Another type of gas is applied: gas conversion

Adjustment procedures for situation A are described in § 14.2 And for situation B § 14.3

In either of the four cases described in **A** and **B**, always check the gas/air ratio of the combustion figure (CO₂) at maximum and minimum input. First set the boiler at max. load and subsequently at min. load, and repeat if necessary.

14.1.1. ADJUSTMENT TABLES

Table 1: CO₂ values for maximum and minimum load. ²⁾

Gas type ¹⁾	CO ₂ [%]		O ₂ [%]	
	max load	min load	max load	min load
G20	9,0 - 9,2	8,3 - 8,5	4,5 - 4,8	5,7 - 6,0
Propane³⁾ G31	10,3 - 10,5	9,4 - 9,6	4,9 - 5,2	6,2 - 6,5
B/P ^{3,4)} G30/ G31	10,4 - 10,6	9,4 - 9,6	5,0 - 5,3	6,5 - 6,8

¹ Cf. EN437.
² All values measured without front door. The CO₂ / O₂ values should always be between the values set in this table. Nominal values can be found in Technical specifications datasheet page.
³ Butane, propane or B/P mixtures only with air restrictor and venturi directly mounted on the fan, see also instruction for butane/propane kit. **A butane/propane (B/P) kit is needed**, see accessories list.
⁴ B/P: Propane/butane mixture.



To use another type of gas with the boiler, a conversion kit for butane/propane is needed, which consists of an air restrictor and an O-ring to air tighten the gap between the fan and the venturi. Changing of gas type involves a different calorific value and composition of the gas. Adjust the gas valve.

14.1.2. ADJUSTMENT VALUES

To make adjustments easier, values of table 1 are presented in the following figures.

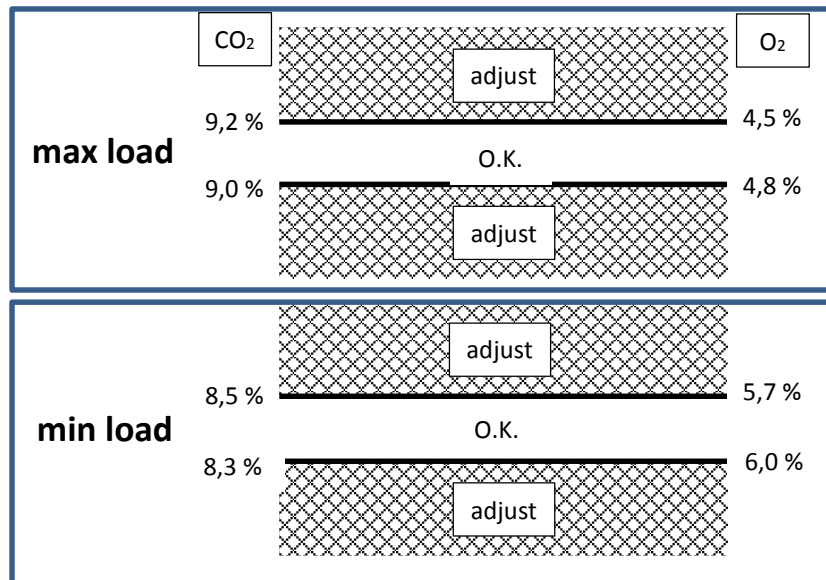
The CO₂ / O₂ values should always be between the values set in this figure.

Nominal values can be found in the Technical specifications table at the beginning of this manual.

All values are measured without front door.

Gas type G20

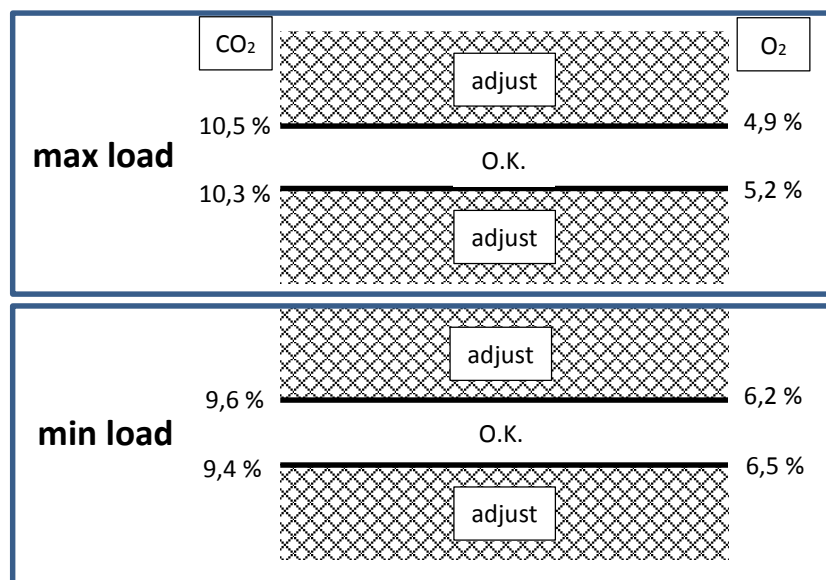
The CO₂ level may never be in the hatched area.



Propane G31:

Boiler has to be adapted by using a gas conversion kit. (only by a skilled mechanic).

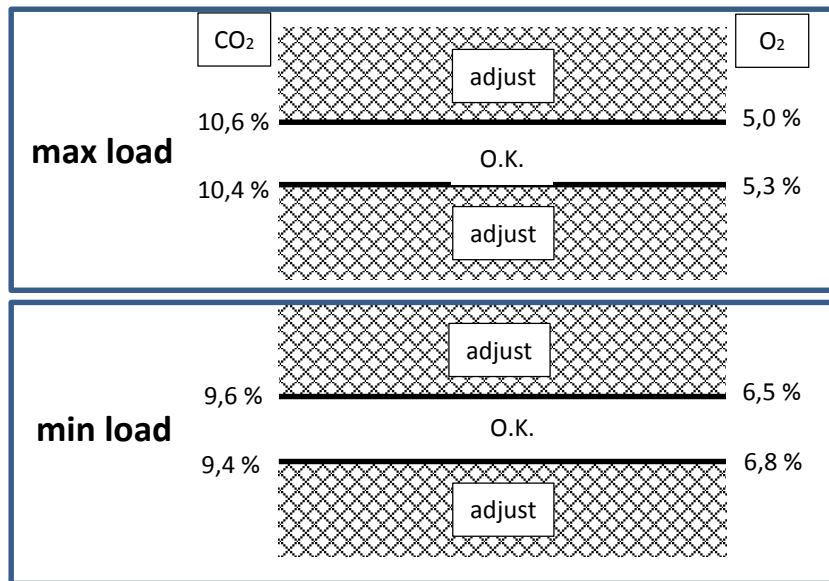
The CO₂ level may never be in the hatched area.



B/P: propane/ butane mixture G30/ G31:

Boiler has to be adapted by using a gas conversion kit. (only by a skilled mechanic).

The CO₂ level may never be in the hatched area.

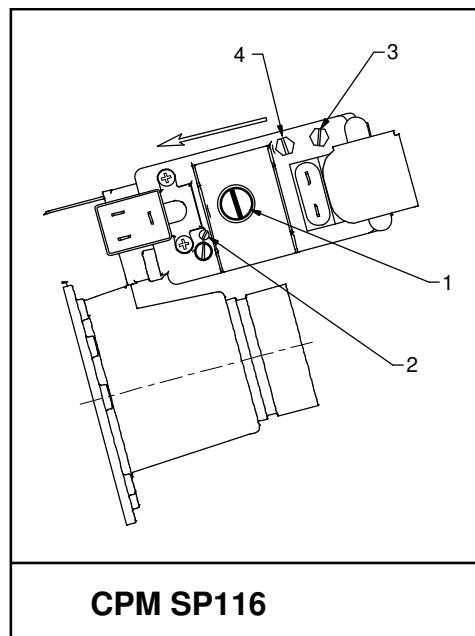


14.1.3. SETTING SCREWS GAS VALVE: DRAWING



NOTICE: Do NOT mistake the screw marked 'PILOT' for screw 2.
→ Screw 2 is the SMALL screw immediately next to the pilot screw.

Number 3 is the gas pressure input measuring nipple.



14.1.4. ADJUSTMENT ACTIONS: GENERAL SCHEME

General scheme for adjustment of the gas valve(s). Check this scheme for an overview.
 To complete all necessary adjustments in right order, follow case **A** or **B** top-down through the scheme (**B** involves a few extra steps (grey text blocks)):

GENERAL SCHEME SETTING STEPS					
	<table border="1"> <tr> <td style="text-align: center;">case A new boiler or service check</td> <td style="text-align: center;">case B valve replacement or gas conversion</td> </tr> <tr> <td style="text-align: center;">continue ↓</td> <td style="text-align: center;">first close screw [2], then set it according table 2</td> </tr> </table>	case A new boiler or service check	case B valve replacement or gas conversion	continue ↓	first close screw [2], then set it according table 2
case A new boiler or service check	case B valve replacement or gas conversion				
continue ↓	first close screw [2], then set it according table 2				
SWITCH TO SERVICE MODE					
	<table border="1"> <tr> <td style="text-align: center;">continue ↓</td> <td style="text-align: center;">If burner doesn't start, open screw[2] ¼ turn extra</td> </tr> </table>	continue ↓	If burner doesn't start, open screw[2] ¼ turn extra		
continue ↓	If burner doesn't start, open screw[2] ¼ turn extra				
setting at maximum load					
[▲] set burner at maximum load					
procedure 1	measure CO ₂ at flue gas outlet; use screw [2] to adjust according table 1 or figures.				
	<table border="1"> <tr> <td style="text-align: center;">CO₂ ↓</td> <td style="text-align: center;">[2]</td> </tr> <tr> <td style="text-align: center;">CO₂ ↑</td> <td style="text-align: center;">[2]</td> </tr> </table>	CO ₂ ↓	[2]	CO ₂ ↑	[2]
CO ₂ ↓	[2]				
CO ₂ ↑	[2]				
setting at minimum load					
[▼] set burner at minimum load					
procedure 2	measure CO ₂ at flue gas outlet; use screw [1] to adjust according table 1 or figures.				
	<table border="1"> <tr> <td style="text-align: center;">CO₂ ↓</td> <td style="text-align: center;">[1]</td> </tr> <tr> <td style="text-align: center;">CO₂ ↑</td> <td style="text-align: center;">[1]</td> </tr> </table>	CO ₂ ↓	[1]	CO ₂ ↑	[1]
CO ₂ ↓	[1]				
CO ₂ ↑	[1]				
repeat procedure 1					
repeat procedure 2					
keep repeating until values match table values best					
Boiler returns to NORMAL MODE after 40 min. OR by pressing [SERVICE] button					

14.2. Adjusting in case of a new boiler, or after maintenance (case A)

14.2.1. GENERAL REMARK

For all adjusting steps under **A** the measured CO₂ values shall be according table 1 or figures

14.2.2. CHECKING AND ADJUSTING AT MAXIMUM LOAD

Adjust at maximum load by carrying out procedure 1 on p.100.

14.2.3. CHECKING AND ADJUSTING AT MINIMUM LOAD

Adjust at minimum load by carrying out procedure 2 on p.101.

14.3. Adjusting in case of valve replacement or gas conversion (case B)



To use another type of gas with the boiler, a conversion kit for butane/propane is needed, which consists of an air restrictor and an O-ring to air tighten the gap between the fan and the venturi. Changing of gas type involves a different calorific value and composition of the gas. Adjust the gas valve.

14.3.1. GENERAL REMARKS

All adjustments must result in CO₂ according table 1 or figures.

14.3.2. CHECKING AND ADJUSTING AT MAXIMUM LOAD

The CPM SP116 has a single gas valve, see the drawings on page

- First, turn setting screws [2] clockwise until you feel resistance. This means that the valve is closed, do not try to tighten the screw any further in the closed position.
- After this, turn screw [2] counter clockwise (open), according to the number of turns in table 2 for the used boiler and gas type.

Adjust the valve at maximum load by carrying out procedure 1 on page 100.

If the burner doesn't start up in service mode, turn screw [2] a quarter turn counter clockwise (open), and try again.

14.3.3. CHECKING AND ADJUSTING AT MINIMUM LOAD

Adjust at minimum load by carrying out procedure 2 on page 101.

IMPORTANT: Toggle between high fire and low fire to make fine-tuning adjustments (adjusting the minimum setting affects the maximum setting and contrariwise).

14.4. Adjusting procedures

Procedures 1 and 2, referred to in the previous sections 14.2 and 14.3, are described below:

Procedure 1: adjust at maximum load

In case **B** (replacement of gas valve or gas conversion): consult § 14.3. before starting procedure 1 below.

Carry out the next 4 steps:

1. Press [SERVICE] button for about 3 seconds.

Display message	H	E	A	T	I	N	G	:	S	e	r	v	i	c	e		2	6	%
	>	>	>		1	2	3	.	4	°	C	(1	2	3	.	4	°	C

Boiler is activated and operates at service mode at 26% (minimum). (example)

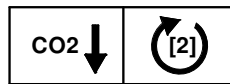
2. Press [▲] button until maximum load is reached:

Display message	H	E	A	T	I	N	G	:	S	e	r	v	i	c	e		1	0	0	%
	>	>	>		1	2	3	.	4	°	C	(1	2	3	.	4	°	C)

Boiler is activated and operates at service mode at 100% (maximum). (example)

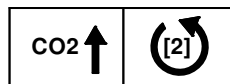
3. Measure the CO₂ percentage at the flue gas outlet.
4. By setting screw [2], adjust the gas valve to obtain the CO₂ value of table 1 or the figures.

Decrease CO₂ percentage



Turn screw [2] right (clockwise)

Increase CO₂ percentage



Turn screw [2] left (counter clockwise)

The service operation of the boiler will be active for 40 minutes. After this period the boiler will return to normal operation.

Procedure 2: adjust at minimum load

In case **B** (gas conversion or replacement of gas valve): consult § 14.3. before starting procedure 2 below.

Carry out the next three steps:

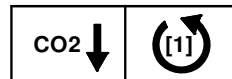
1. Press [▼] button until minimum load is reached.

Display message	H	E	A	T	I	N	G	:	S	e	r	v	i	c	e		2	6	%
	>	>	>		1	2	3	.	4	°	C	(1	2	3	.	4	°	C

Boiler is activated and operates at service mode at 26% (minimum).

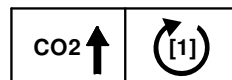
2. Measure the CO₂ percentage at the flue gas outlet.
3. By setting screw [1], adjust the gas valve to obtain the CO₂ value of table 1.

Decrease CO₂ percentage



Turn screw [1] left (counter clockwise)

Increase CO₂ percentage



Turn screw [1] right (clockwise)

Additional measurement at minimum load.

In the table, a CO₂ percentage is specified at which the gas valve must be set, with the boiler operating at minimum load.

This setting of the gas valve is in general a good procedure to get a good gas/air ratio.

But to ensure a good setting at minimum load we also advice to check the pressure at measuring point 4 on the gas valve, while the unit is firing at minimum load at the specified CO₂ setting, so after setting screw [1].

To do this, remove the screw on measuring point 4 from the gas valve and connect a pressure measuring device (manometer) to it.

When the CO₂ has been set to the specified value at minimum load, one must measure a negative pressure: **-10 ± 3 Pa**. This measured pressure is valid for natural gas, propane and propane/butane mixtures.

If the measured pressure is not within this range, check the complete gas/air unit, consisting of the gas valve, venturi, fan and burner plate, for defects and/or mounting errors. Also make sure that the measuring devices, both CO₂ meter and manometer, are functioning well.

NOTICE: After the setting has been done at minimum load, go back to maximum load and check if it still gives the right CO₂ level as specified for maximum load in the table; adjust the gas valve if necessary.

After readjustment go back to minimum load and check again the CO₂ level and gas valve pressure; adjust if necessary.

Keep toggling between maximum load and minimum load up to the point that no adjustments are needed anymore and the CO₂ levels and gas valve pressure are within the specified ranges.

After these adjustments, return to normal operation by pressing the [SERVICE] button.

IMPORTANT: Make sure that the screw(s) on the measuring points are mounted again, after the work on the gas valve has been finished.

14.5. Gas conversion propane or B/P

To use another type of gas with the boiler, only a conversion kit for butane/propane is needed, which consists of an air restrictor and an O-ring to air tighten the gap between the fan and the venturi. This changing of gas type involves a different calorific value and composition of the gas. Change the settings of the gas valve.

For example propane.

Take the following actions:

1. Mount the air restrictor kit as described below on this page and Set the gas valve:
2. Turn the adjusting screw [2] three full strokes around (clockwise).
3. Press the [SERVICE] button for about 3 seconds to start up the boiler in service mode.
4. When, after several starting attempts, the burner does not ignite and start to burn, turn the adjusting screw [2] one quarter stroke back (counter clockwise) and start service mode again.
5. When the burner ignites, and starts to burn, continue the setting of the gas valve at maximum and minimum load, as described in the previous chapters and use the values for Gas G31.

See 14.1.1: Adjustment tables Table 1: CO₂ and O₂ values for maximum and minimum load ²⁾.

Gas type ¹⁾	CO ₂ [%]		O ₂ [%]	
	max. load	min. load	max. load	min. load
Propane³⁾ G31	10,3 - 10,5	9,4 – 9,6	4,9 - 5,2	6,2 – 6,5

¹⁾ According EN437.
²⁾ All values measured without front door. The CO₂ / O₂ values should always be between the values set in this table. Nominal values can be found at the Technical specifications datasheet page.
³⁾ Propane or B/P mixtures only with air restrictor and venturi directly mounted on the fan, see also instruction for butane/propane kit. **A butane/propane (B/P) kit is needed contact Lochinvar Ltd.**



To use another type of gas with the boiler, a conversion kit for butane/propane is needed, which consists of an air restrictor and an O-ring to air tighten the gap between the fan and the venturi. Changing of gas type involves a different calorific value and composition of the gas. Adjust the gas valve.

Instructions for butane/propane kit application

The air restrictor is a plastic cap with a slit in it. To apply it, follow the next steps (see picture below):

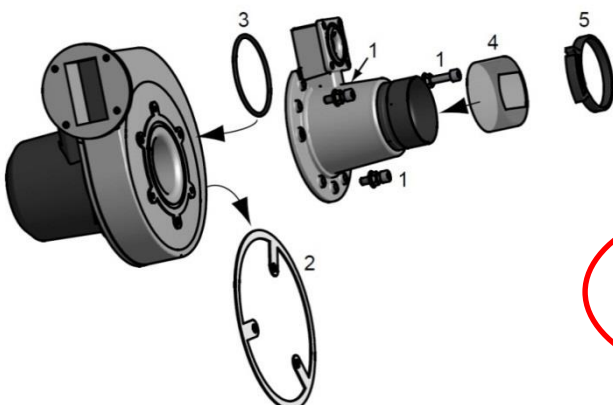
- Disassemble the complete burner door unit, as described in section 17.2. on page 113.
- Loosen the three screws (1) that connect the venturi to the fan.
- Remove the plastic 'ring' (2) from the fan, and replace it by the O-ring (3), supplied with the butane/propane air restrictor kit.

NOTICE: It is important to discard the plastic ring (2), to ensure that the venturi is mounted air-tight onto the fan.

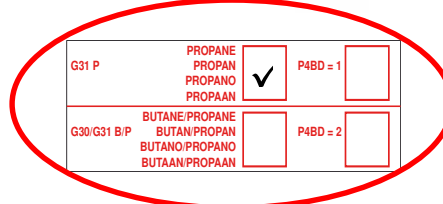
- Put the air restrictor itself (4) completely over the venturi inlet opening and secure it with the supplied clamp(5).

NOTICE: Make sure that the air restrictor is placed correctly: it should have the slit horizontal when the other components have the orientation as in the picture.

- Reassemble both the burner door unit on the heat exchanger and the venturi with air restrictor on the fan.



1. Venturi screws
2. Plastic ring.
3. O-ring
4. Air restrictor
5. Clamp



In case of gas conversion, paste the corresponding sticker at the appropriate position in the boiler and mark the square for the used gas type. Because it is not necessary to set parameter P4BD leave the square for parameter B4BD blank.

15. PUTTING THE BOILER OUT OF OPERATION

It is recommended to have the boiler operational all year around to prevent any frost damage during the winter and/or rotating parts getting jammed during other times of the year (built in boiler safety features).

15.1. Out of operation: on/off function

To be used when the appliance must be put out of operation for a long period because of a defect or another safety risk.

Act as follows:

- Disconnect or switch off the room thermostat and/or other external controllers from the boiler. The CH pump and fan will stop after a short time.
- Switch off the boiler by pressing the [ON/OFF] button for six seconds.
- Make sure that the following display screen is visible.

Display message	B	o	i	l	e	r	o	f	f											

Properties of the 'off' function:

- The keys do NOT respond and the menu is NOT accessible.
- The burner does NOT respond to an external heat demand.
- The boiler CAN, however, be switched on again by pressing the [ON/OFF] button.
- Pumps, fans and cascade (if applicable) are operational, and so are both recirculation protection (if applicable) and frost protection.
- NOTICE: Pump 3 (CH pump) is switched OFF, but this is NOT the case when the boiler is in a cascade.
- To reactivate the boiler, switch on the burner by pressing [ON/OFF] for six seconds again.



The frost protection module can still activate the burner. To prevent this, switch off this protection or put the boiler in 'power off' mode.

15.2. Out of operation: power off

To assure that the boiler cannot become active at all anymore, power should be cut off completely.

Act as follows:

- Disconnect or switch off the room thermostat and/or other external controllers from the boiler. The CH pump and fan will stop after a short time.
- Switch off the boiler by pressing the [ON/OFF] button for six seconds.
- Make sure that the following display screen is visible.

Display message	B	o	i	l	e	r	o	f	f											

- Switch off the electrical power supply of the boiler (remove connection from the wall socket, or switch off the main power).
- Close the gas valve / gas supply.
- In case of possible frost damage: drain both the boiler and the heating system.

NOTICE: Before starting to drain the boiler, first start draining the heating system and subsequently open also the two drains of the boiler.

16. FAULT CODES AND BLOCKING CODES

16.1. Fault codes

IMPORTANT:

To avoid electric shocks, disconnect electrical supply before performing troubleshooting. To avoid burns, allow the unit to cool before performing troubleshooting. Be aware that a fault code is an indication that the unit or the system needs attention. When repeatedly having faults these should not be neglected. The first step is to check if the unit is installed according to the instructions. If not, first make sure the installation complies with the installation manual. Always check the fuses on the control board before replacing any major components. A blown fuse can prevent the controller or other components from operating. Most faults can also be caused by a bad wiring and/or connections, even if it is not specifically mentioned. With every fault it is wise to check wiring and connections (at both ends) that connect to the safety device/component that generates the fault.

LOCK-OUT CODES:

Having a lockout means that the boiler needs a manual reset to start operating again. When the boiler is in lockout the backlight of the display is blinking on and off.

Explanation > **9 9 9 , 5 : h r s** = time elapsed after fault/message.

Explanation > **P u m p 1 o n** = status of the pump during fault.

Display message	C l i x o n F a u l t
F15	p u m p o n 9 9 9 , 5 h r s
Reason	Heat exchanger fuse or burner door clixon exceeded maximum allowed value.
Cause:	The thermal fuse of the heat exchanger has opened permanently.
Corrective action:	Switch off the electrical power and gas supply and contact supplier.
Cause:	The burner door clixon has opened.
Corrective action:	Remove the burner door of the heat exchanger and check the burner door gasket for leakage. Check the burner door for deformation; when it deforms it must be replaced. Check the heat exchanger for dirt and check that the flue is not blocked. If heat exchanger is clean, reset manually the clixon itself and reset the boiler.

Display message	F a i l e d b u r n e r s t a r t
F8	p u m p o n 9 9 9 , 5 h r s
Reason	Boiler not operational after 4 starting attempts.
Cause:	No spark.
Corrective action:	Check the ignitor/ignition electrode and replace/clean it if necessary. Check the state of the ceramic insulator. A small crack can prevent the spark to form at the end of the electrode. Check the distance between the electrode pin, earth pin and burner. Check the state of the ignition cable and replace it if necessary. Check the state of the earth wire/connection of the ignitor and replace it if necessary. Check the state of the sparkplug cap and replace it if necessary. Check power supply. Voltage must be 230 Vac nom. Check for proper electrical grounding of unit. Bad ignition transformer. Replace the burner control of the unit.

F8 →

Cause:
Ignition spark, but no flame.
Corrective action:
<p>Check if all gas valves in the supply line are completely open.</p> <p>Check if there is no air in the gas supply (start-up new systems).</p> <p>Check if the gas valve opens. When there is power supply to the gas valve, but the valve does not open, the gas valve must be replaced.</p> <p>Check if the gas valve opens. When there is no power supply to the gas valve check the gas valve wiring/connections.</p> <p>Check if the gas valve settings are correct and adjust if necessary.</p> <p>Check if the gas pressure is correct and sufficient.</p> <p>Check if the air supply is open/not blocked.</p>
Cause:
Flame, but not enough ionisation to establish the flame.
Corrective action:
<p>Check the ignitor/ignition electrode and replace/clean it if necessary.</p> <p>Check the state of the ceramic insulator.</p> <p>Check the distance between the electrode pin, earth pin and burner.</p> <p>Check the state of the ignition wire (also the ionisation wire) and replace it if necessary.</p> <p>Check the state of the earth wire/connection of the ignitor and replace it if necessary.</p> <p>Check for proper electrical grounding of unit.</p> <p>Check power supply. Voltage must be 230 Vac nom.</p> <p>Check the state of the sparkplug cap and replace it if necessary.</p>

Display message	F a l s e f l a m e s i g n a l
F10	p u m p o n 9 9 9 , 5 h r s
Reason	Flame signal detected, while boiler should not fire for operation.
Cause:	
	The flame detection circuit detects a flame which is not supposed to be present.
Corrective action:	
	<p>Check the ignition/ionisation electrode and make sure it is clean (or replace it).</p> <p>Check the power supply voltage for a correct polarity.</p> <p>Check the power supply for bad frequency or voltage peaks.</p> <p>Check external wiring for voltage feedback.</p> <p>Check the internal wiring for bad connections.</p> <p>Check if the gas valve is closing correctly.</p> <p>Replace the burner control.</p>

Display message	F a n s p e e d i n c o r r e c t
F11	p u m p o n 9 9 9 , 5 h r s
Reason	Actual fan speed differs from the unit rpm set point.
Cause:	
	An incorrect fan speed is detected.
Corrective action:	
	<p>Check the 4-wired wiring and connections at the fan and at the main control board.</p> <p>Check the 3-wired power supply wiring and connections at both ends.</p> <p>Replace the fan.</p> <p>Replace the main control board.</p>

Display message F0	F l o w s e n s o r e r r o r p u m p o n 9 9 9 , 5 h r s
Reason	Flow sensor is not detected.
Cause:	
	Bad wiring/connection in the flow sensor circuit.
Corrective action:	
	Check for loose wiring/connections in the flow sensor circuit.
Cause:	
	Bad temperature sensor causing a fault signal.
Corrective action:	
	Replace flow sensor.

Display message F6	F l u e s e n s o r e r r o r p u m p o n 9 9 9 , 5 h r s
Reason	Flue sensor is not detected by the boiler PCB.
Cause:	
	Bad wiring/connection in the flue gas sensor circuit.
Corrective action:	
	Check for loose wiring/connections in the flue gas sensor circuit.
Cause:	
	Bad temperature sensor causing a fault signal.
Corrective action:	
	Replace flue gas sensor.

Display message F7	F l u e t e m p t o o h i g h p u m p o n 9 9 9 , 5 h r s
Reason	Flue gas temp. exceeded 3 times limitation value within a certain period.
Cause:	
	Heat exchanger polluted and not able to transfer enough heat to system water.
Corrective action:	
	Check and clean heat exchanger.
Cause:	
	Bad flue gas sensor or sensor connection (partly shorted).
Corrective action:	
	The sensor is of the type NTC. This means if the temperature rises the resistance lowers. A partly shorted sensor will drop its resistance and therefore 'measure' a raise in temperature when actually there is none. Check for moist in the sensor connections or replace sensor.
Cause:	
	There is no water in the unit while firing.
Corrective action:	
	This is an unlikely situation while all the safeties for checking the water presence didn't detect anything. Only a lot of air in the system/unit (under pressure) can cause the water pressure switch to switch while no water is present. Also the water leak detection did not react. Bleed all air from the unit so the heat from combustion can be transferred to the water and won't leave through the flue system.
Cause:	
	Heat exchanger failure.
Corrective action:	
	This is an unlikely situation but when there is severe damage to the heat exchanger, the combustion product will not be able to transfer all heat to the system water. The heat that is not transferred will convert to an increased flue gas temperature.

Display message F13	P a r a m / H a r d w	f a u l t							
	p u m p o n				9 9 9 , 5	h r s			
Reason	Failure during programming of the parameters.								
Cause:	Programming of the parameters NOT successfully completed.								
Corrective action:	Unit is not in stand-by mode (fan must not run during programming). Check programming wire and connections and try again. Check if the software complies with the PCB. Replace the programming wire. Replace the display PCB.								
Display message F12	p r o g r a m m i n g	e n d							
	p u m p o n				9 9 9 , 5	h r s			
Reason	Programming of the parameters completed successfully.								
Cause:	Programming of the parameters completed successfully.								
Corrective action:	This message occurs to confirm the end of programming. Pressing RESET will return the unit in normal operating status.								
Display message F1	R e t u r n	h i g h	T e m p						
	p u m p o n			9 9 9 , 5	h r s				
Reason	Maximum return temperature exceeds limit value.								
Cause:	Systems that pre-heats the boiler return temperature too much/high.								
Corrective action:	Reduce pre-heat temperature of external heat source.								
Cause:	The need for heat in the system suddenly drops causing hot return water to the boiler.								
Corrective action:	Dampen external heating system control to prevent sudden boiler temperature rise.								
Display message F3	R e t u r n	s e n s o r	e r r o r						
	p u m p o n			9 9 9 , 5	h r s				
Reason	Return sensor is not detected by the boiler PCB.								
Cause:	Bad wiring/connection in the return sensor circuit.								
Corrective action:	Check for loose wiring/connections in the return sensor circuit.								
Cause:	Bad temperature sensor causing a fault signal.								
Corrective action:	Replace return sensor.								
Display message F17	W a t e r	h i g h	l i m i t						
	p u m p o n			9 9 9 , 5	h r s				
Reason	Maximum thermostat exceeds limitation value.								
Cause:	The water flow is restricted.								
Corrective action:	Check functioning of the pump. Check/open all valves that might restrict the water flow through the unit. Check for an external system pump that influences the flow through the unit. Check if the system resistance exceeds the spare capacity of the unit pump.								

16.2. Blocking codes

The display is not blinking, but is lightened up during the blocking period.
The boiler is blocking an action, because of an extraordinary situation. This action will be continued after stabilisation of this situation.

Display message	A n t i c y c l e t i m e 9 9 9 , 5 h r s
Reason	The controller received a new heat demand too fast after the last ended demand.
Cause:	Immediately opening and closing of the external thermostat
Corrective action:	Controlled water flow cools down too quickly after loss of heat demand. Controlled water flow heats up too quickly after start of heat demand. Immediately opening and closing of the external thermostat. Check switching differential of the ON/OFF thermostat. Controller settings need to be changed. Be aware that the standard settings work fine for all common systems. When anti-cycling is active, because of immediate heating or cooling of the controlled water flow/temperature, it concerns an unconventional system.
Display message	C a s c a d e B l o c k 9 9 9 , 5 h r s
Reason	Connection failure with one of the boilers of the cascade.
Cause:	The unit is programmed in such a way that none of the boilers in a cascade will fire, if one has a lock-out. One unit has a lock-out and therefore the whole cascade is blocked.
Corrective action:	Troubleshoot the fault of the unit in lock-out.
Display message	D e a i r a t i o n 9 9 9 , 5 h r s
Reason	The boiler starts its deairation function.
Cause:	Automatic function starts after boiler is powered or/and parameter P4AJ is set.
Corrective action:	No corrective action needed, boiler will return to normal operation after deairation cycles.
Display message	d T B l o c k 9 9 9 , 5 h r s
Reason	Temperature difference between flow and return has exceeded the blocking value, but not the lock out value.
Cause:	The water flow through the unit is too low.
Corrective action:	Check functioning of the pump. Check/open all valves that might restrict the water flow through the unit. Check for an external system pump that influences the flow through the unit. Check if the system resistance exceeds the spare capacity of the unit pump. Make sure the heat exchanger is clean. Heat exchanger fouling (partly blockage) will increase the resistance causing the water flow to drop.
Display message	F l o w t e m p h i g h 9 9 9 , 5 h r s
Reason	Flow temperature has exceeded the blocking temperature, but it has not exceeded the lock-out value.
Cause:	The water flow is restricted.
Corrective action:	Check functioning of the pump. Check/open all valves that might restrict the water flow through the unit. Check for an external system pump that influences the flow through the unit. Check if the system resistance exceeds the spare capacity of the unit pump.

Display message	F l u e t e m p h i g h 9 9 9 , 5 h r s
Reason	Flue gas temperature has exceeded the limit.
Cause:	Heat exchanger polluted and not able to transfer enough heat to the system water.
Corrective action:	Check and clean heat exchanger.
Cause:	Bad flue gas sensor or sensor connection (partly shorted.)
Corrective action:	The sensor is of the type NTC. This means when the temperature rises, its resistance decreases. A partly shorted sensor will drop its resistance and therefore 'measure' a raise in temperature when actually there is none. Check for moist in the sensor connections or replace the sensor.
Cause:	There is no water in the unit while firing.
Corrective action:	This is an unlikely situation while all the safeties for checking the water presence didn't detect anything. Only a lot of air in the system/unit (under pressure) can cause the water pressure switch to switch while no water is present. Also the water leak detection did not react. Bleed all air from the unit so the heat from combustion can be transferred to the water and won't leave through the flue system.
Cause:	Heat exchanger failure.
Corrective action:	This is an unlikely situation but when there is severe damage to the heat exchanger, the combustion product will not be able to transfer all heat to the system water. The heat that is not transferred will convert to an increased flue gas temperature.

Display message	G e n B l o c k 9 9 9 , 5 h r s
Reason	General blocking circuit is activated during operation (general blocking contacts 7-8).
Cause:	The circuit connected to the general blocking terminals is not closed.
Corrective action:	Check all external components that are connected to the general blocking terminals and check why the contact is not closing during heat demand.
Cause: If used in combination with flow switch:	The water flow through the unit is too low.
Corrective action:	Check functioning of the pump and the flow switch. Check/open all valves that might restrict the water flow through the unit. Check for an external system pump that influences flow through the unit. Check if the system resistance exceeds the spare capacity of the unit pump. Make sure the heat exchanger is clean. Heat exchanger fouling (partly blockage) will increase the resistance causing the water flow to drop.

Display message	L i n e f a u l t p u m p o n 9 9 9 , 5 h r s
Reason	Bad power supply
Cause:	The supplied power does not comply with the specifications.
Corrective action:	Check if the power supply is connected correctly to the unit. Check the voltage and frequency. (Should be Life Neutral, Gnd > 230Vac/50Hz). Make sure there is no signal fail or voltage peaks in the power supply.

Display message	O u t d o o r s e n s o r f a i l s
	9 9 9 , 5 h r s
Reason	No outdoor sensor detected.
Cause:	
	The unit is programmed to check if an outdoor sensor is present and does not detect an outdoor sensor.
Corrective action:	
	Check for loose wiring/connections in the outdoor sensor circuit. Check the state of the outdoor sensor and replace it if necessary.

Display message	R e t u r n t e m p h i g h
	9 9 9 , 5 h r s
Reason	Return temperature has exceeded the blocking temperature, but it has not exceeded the lock-out value.
Cause:	Systems that pre-heats the boiler return temperature too much/high.
Corrective action:	
	Reduce pre-heat temperature of external heat source.
Cause:	
	The need for heat in the system suddenly drops causing hot return water to the boiler.
Corrective action:	
	Dampen external heating system control to prevent sudden boiler temperature rise.

Display message	T 2 - T 1 h i g h
	9 9 9 , 5 h r s
Reason	Difference between T2 and T1 has exceeded the blocking value which has been set in the parameters. (return temp higher than flow)
Cause:	The water flow through the unit is too low.
Corrective action:	
	Check functioning of the pump. Check/open all valves that might restrict the water flow through the unit Check for an external system pump that influences flow through the unit Check if the system resistance exceeds the spare capacity of the unit pump. Make sure that the heat exchanger is clean. Heat exchanger fouling (partly blockage) will increase the resistance causing the water flow to drop.

Display message	W a t e r p r e s s u r e f a u l t
	9 9 9 , 5 h r s
Reason	Water pressure is too low or high.
Cause:	
	The water pressure in the system is too high.
Corrective action:	
	Check if the system pressure is too high after (re)filling. Make sure that there is a pressure relief valve and expansion vessel installed in the system, according to the applicable standards. Check if there is an open connection between the unit and the relief valve plus expansion vessel. Be aware that if the unit is installed in the basement of a tall building, only the static pressure of the water column above the units can raise above the maximum allowable limits. Make sure that this is not the case.
Cause:	
	The water pressure in the system is too low.
Corrective action:	
	Check if there is no leakage in the system that causes the pressure to drop. Fix any leakage and fill the system. Check if there is an external system pump that sucks water through the boiler, causing an under pressure. (bad installation design).

16.3. Maintenance reminder function

The display shows alternating the base screen and this message, while backlight is blinking.

The boiler is operating, but will count the exceeding hours.

A parameter must be changed, after service, to remove this message.

Display message	N e e d s M a i n t e n a n	0 . 0
	l g n i t i o n c y c l e s	h r s
Reason	Maintenance option of total number of ignition cycles has been reached.	

Display message	N e e d s M a i n t e n a n	0 . 0
	D a t e	h r s
Reason	Maintenance option of the date has been reached.	

Display message	N e e d s M a i n t e n a n	0 . 0
	B u r n i n g h o u r s	h r s
Reason	Maintenance option of total amount of burning hours has been reached.	

Display message	N e e d s M a i n t e n a n	0 . 0
	A l l	h r s
Reason	One of all selected maintenance options has been reached.	



This message function is standard not activated, but can be activated/set by a trained engineer. This function does not overrule the need for annual maintenance. The end user is always responsible for arranging annual maintenance.

17. MAINTENANCE

17.1. General

For a good, safe and long-time operation of the boiler it is advised to carry out maintenance and service on the boiler.

Maintenance and inspection of the boiler should be carried out at the following occasions:

- **When a number of similar error codes and/or lock-outs occur.**
- **At least every twelve months, maintenance must be done to ensure safe and efficient operation.**

Damage caused by lack of maintenance will not be covered under warranty.

MAINTENANCE REMINDER FUNCTION.

← See previous page.

BE AWARE: This function is standard turned off. We offer this programmable function to the installer to use as a reminder. Because it concerns a free programmable function the use of it cannot be used as an argument in warranty cases. Our units must be maintained every twelve months whatever the settings/working of this function. **It is and remains the responsibly of the end user to have the unit maintained every twelve months.**

For more information about the maintenance mode see §10.14. : 'Setting the maintenance specifications', page 67.

Service intervals

The normal service frequency for the boiler is once a year. Every year the boiler should be cleaned and checked, according to the maintenance procedures. If there is doubt whether the boiler is operating with the correct water and/or combustion air quality, it is advised that a first check is already executed after six months. This check serves to determine the frequency of the future services. The maximum interval between two services is a year.



INSPECTION AND MAINTENANCE MUST BE EXECUTED FOR A SAFE AND EFFICIENT OPERATION OF THE BOILER.

17.2. Annual inspection & maintenance

Inspection, maintenance and the replacement of boiler parts should only be done by a skilled service engineer. Apart from the maintenance proceedings it is advised to have a log chart for every boiler that describes the following aspects:

- Serial number
- Date and time of maintenance
- Name of maintenance engineer
- Which parts were exchanged during maintenance
- Which settings (software) were changed during maintenance
- Special remarks / findings
- Future aspects that need extra attention
- Additional aspects: measurement reports, complaints by the (end)-user, lock-out codes, etc.

During maintenance the following parts and aspects of the boiler should be checked and inspected.

NOTICE: Before starting to work on the boiler:

- Switch off the electrical power to the boiler (service switch and/or unplug boiler)
- Close the gas valve to block gas supply to the boiler

Customer comments

Comments and remarks from the customer should be analysed and used to find possible causes for any occurring problems and complaints.

Service history

The operational and fault history (total amount and since the last service) of the boiler can be retrieved with the help of a computer, correct software and an interface cable. This information can be used to specify the maintenance and service proceedings in relation to the boiler (parts).

Water leakage

The water pressure of the heating installation should be more than 1.0 bar and at a maximum of 4.0 bar. When the water pressure drops below the minimum occasionally, there might be a water leak. Check the boiler and the complete heating installation for any water leakages and have these repaired.

Flue gas & air supply

The flue gas and air supply pipes must be checked for gas tightness. Also check if the mounting of these pipes is correct, safe and not damaged. Check the top panel of the boiler housing for signs of water leakage and traces of water coming from the air supply pipe, the air vent or any condensate coming from the flue gas pipes.



The flue gas outlet has been provided with a flexible adaptive restriction, which should be checked annually. If necessary, remove contamination or other possible failure causes. If there is any doubt of the good state or correct functioning of the adaptive restriction, it must be replaced.

Gas supply & safeties

The gas pipes must be checked for gas tightness. Also check if the mounting of these pipes is correct, safe and not damaged. Any built-in safeties should be checked for a correct functioning.

Remove complete burner unit

The complete burner unit consists of the fan, the burner plate and the internal burner.

To remove this part, loosen and remove the six nuts on the burner door and disconnect the ignition cable and ground wire connector. When the inlet venturi and the cables connected to the fan are disconnected, one can pull the burner door assembly outwards about 5-6 cm.

While keeping the burner in the heat exchanger one can turn the whole unit clockwise until the black fan motor cover touches the foam on the inside of the left side panel.

Gently press the black fan cover in the foam, creating just enough clearance for the bottom of the fan housing to slide just over the connection terminals.

If this clearance is ensured, one can pull the whole burner door assembly outwards and thereby remove it from the boiler.

NOTICE: To make removal more easy, one can loosen and remove the three mounting screws in the bottom half of the left panel. Two screws are situated on the bottom of the boiler, on the ridge of the left side panel, and one is situated in the display console in front, at the front ridge of the left side panel. After this one can bend the bottom of the left side panel outwards while the panel is still fixed with the two-side panel mounting screws on top. This will create more clearance for the removal of the burner door assembly.

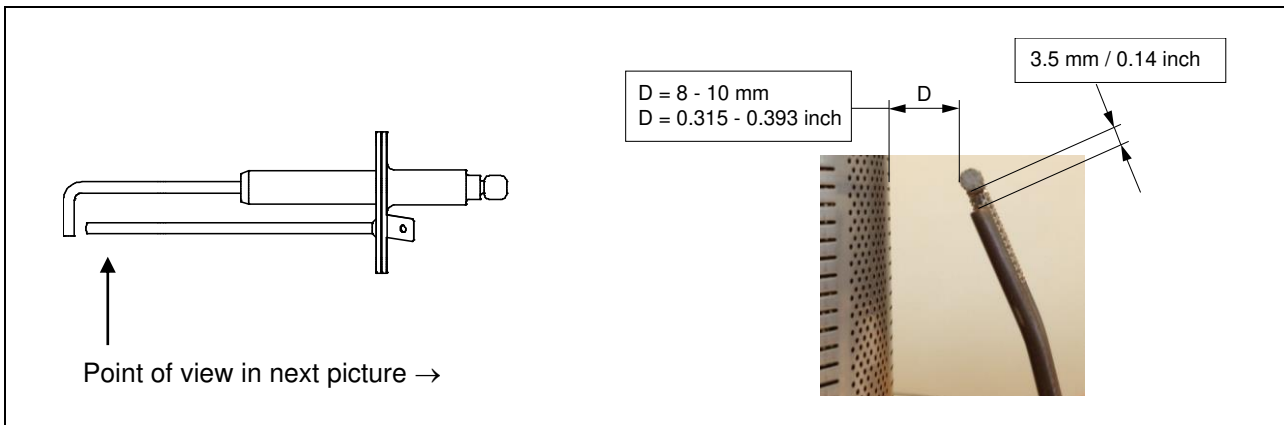
NOTICE: When handling the burner door assembly during removal, mounting and maintenance, be sure that the insulation of the burner door is not damaged.

Burner

Check the burner surface to see if it has damages, signs of rust and/or is cracked. When the burner surface is damaged, the burner must be replaced. The burner can be cleaned by using a soft (non-metallic) brush. The dust can be removed with a vacuum cleaner or pressurized air.

Ignition / ionisation electrode

When the complete burner is removed, it is very easy to check the ignition electrode. First check if the distances between the electrodes and between the electrode and the burner are according to the graph below. When these are not correct, try to bend the electrodes in the right position. Notice: the electrodes undergo high temperatures; therefore the electrodes become hard and are difficult to bend. While bending used electrodes, they might break or burst. Check the electrode, after bending, for any tear/crack and signs of rust. When they are burst/cracked or rusty, replace the electrode. Also replace the electrode when there is a crack in the ceramic insulation of the electrode. When the electrode is going to be replaced also the gasket should be renewed.



Burner door gaskets

When these gaskets have changed colours at some parts, the rubber has cured and/or has damages, these gaskets must be replaced. Notice: only use the gaskets that are supplied by the boiler Lochinvar.

Fan

When the fan blades are polluted and dirty, carefully clean the blades with a soft brush. Notice: do not use too much force on the blades or else the fan might be out of balance and run irregularly, causing noises and fan failures. Check the fan also for any water damages. In doubt always replace the fan of the boiler.

Insulation

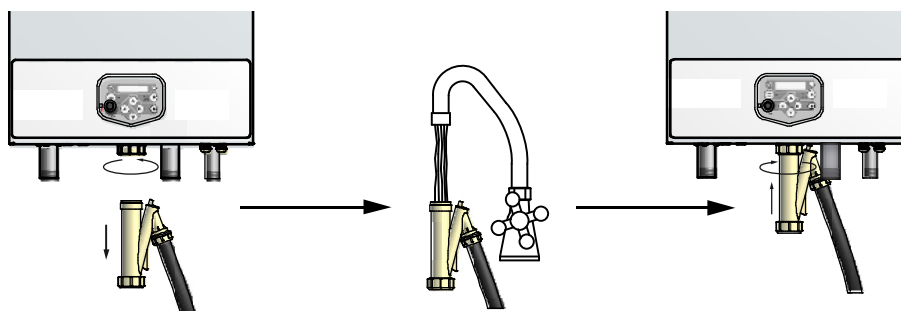
The insulation of the heat exchanger (located on the rear wall inside the heat exchanger and burner door) must be inspected. If this insulation disk shows any signs of (water) damage or degradation it should be exchanged. Also check if there are any indications in the burner room of a high condensate level (caused by a blocked siphon) that might have wetted the rear wall insulation. When this has happened the rear wall insulation should also be replaced.

Only use the insulation disk that is supplied by the boiler Lochinvar.

The same procedure must be applied on the insulation and gaskets fitted on the burner door.

Siphon

The siphon must be checked at least once a year. Disassemble the siphon and clean every part of it. Check the functioning of the siphon by filling it with water. Then blow into the top condensate inlet and gently increase the pressure. At some point water starts coming out of the siphon outlet. During this the float/ball should gradually drop into its seat. By doing this, the ball then should close the outlet (almost) completely.



Heat exchanger and burner room

After the removal of the complete burner unit check if there is any debris and dirt in the heat exchanger. The coils of the heat exchanger can be cleaned by using a non-metallic brush. After this the dirt and dust can be removed with a vacuum cleaner and by flushing the burner room with water. Don't forget afterwards to clean the siphon once again.



Cleaning the burner room with acid or alkali products is prohibited.

Gas/air ratio

With every service check and/or maintenance of the boiler always check the gas/air ratio by measuring the CO₂ percentage (flue gas) at the maximum and minimum load of the boiler. If necessary, adjust these values. See for information chapter 15 "Adjusting and setting the burner".

Pump

Check the electrical parts and the motor of the pump for a correct functioning. The pump must generate a sufficient water flow over the (heat exchanger of) the boiler. When the pump produces noise, is operational for more than five years or has signs of water leakage it is recommended to replace the pump as a precaution.



When defects and abnormalities are found by the service engineer during service and maintenance and these are not repairable, this information should be reported to the owner/end-user of the installation. Also the owner/end-user should be advised how to fix these defects and these defects should be reported in the service report / log file of the boiler.



During service and maintenance the gas, supply air, flue gas and condensate connection are disconnected, checked and replaced. Make sure that all these components are mounted correctly before commissioning the boiler again.

Reassembling the burner door correctly onto the heat exchanger:

IMPORTANT:

Before mounting the burner door, make sure that its gaskets and insulation are in excellent shape.

If any signs of damage or ageing are present, these parts must be replaced.

The burner door unit must be reassembled to the heat exchanger just in the reverse way of its disassembling, as described earlier in this section, on page 113.

Carry out the final mounting of the burner door by following the next steps:

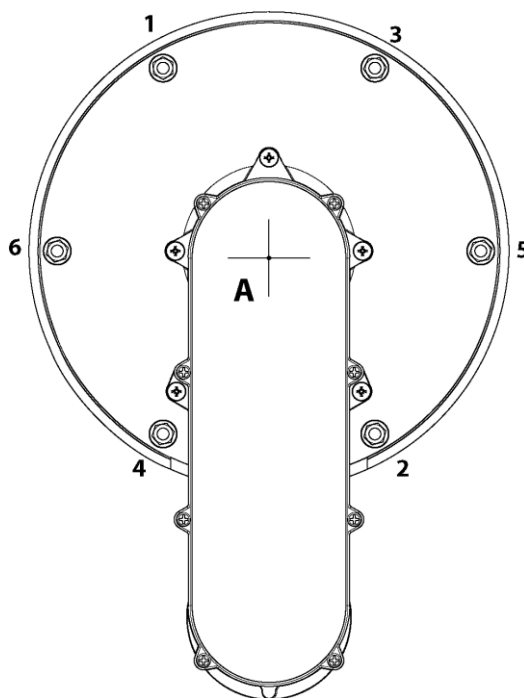
- Place the burner door with its holes over the six threaded studs.
Careful! When handling too rough or misplacing the holes over the threaded studs, the burner door insulation and/or gaskets can be damaged.
Assure yourself that the door is well positioned with respect to the threaded studs, before pushing it onto the exchanger.
- Now keep the burner door firmly in place by pushing the gas/air nose with one hand at the middle at point **A**.
- Then turn-tighten the flange nuts with the other hand as far as possible onto the threaded studs.

Now the burner door is in place and the nuts can be tightened with a torque key.

- Tighten the nuts in the order given in the picture below
- The specified torque value for tightening the burner door flange nuts is **8 Nm**

- tighten in given order

- torque value = 8 Nm



18. USER INSTRUCTIONS

After installing and commissioning the boiler, demonstrate the operation of the entire central heating system to the end-user. The user should be made familiar with all safety precautions of the boiler and the installation. The user should be instructed that service and maintenance of the boiler is required every 12 months. Regular service and maintenance is essential for a safe and proper operation of the boiler. Hand over the documents that are supplied with the boiler.

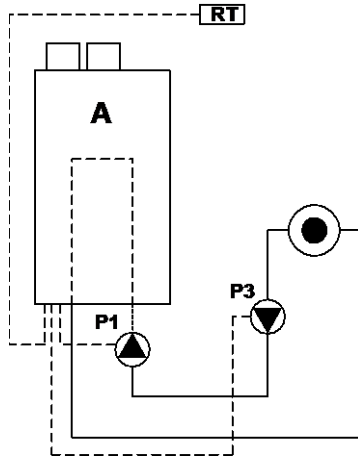
19. INSTALLATION EXAMPLES

The following schematics present several ways of mounting the heating installation.



All schematics are purely functional. Safety components must be added conform all applicable standards and regulations.

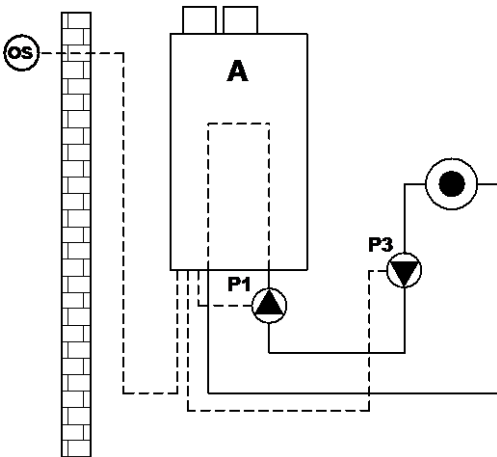
System type 1



System 1	Name	Wire terminal
P1	Boiler pump	30-31-32
P3	Optional heating pump	23-24-25
RT	Modulating room unit with timer	11-12
No parameter change needed		

A	= boiler
	= heating zone

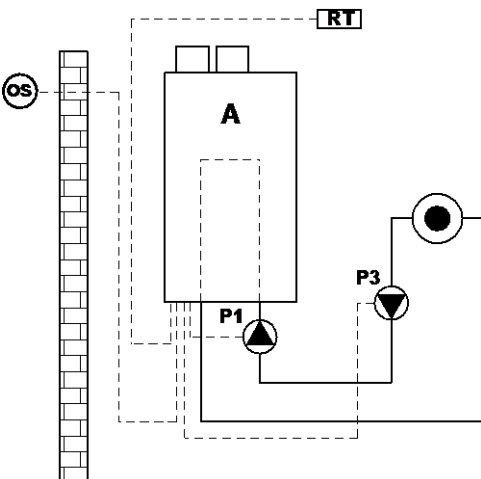
System type 2



System 2	Name	Wire terminal
P1	Boiler pump	30-31-32
P3	Optional heating pump	23-24-25
	Place bridge	11-12
OS	Outdoor temperature sensor	1-2
No parameter change required		

A	= boiler
	= heating zone

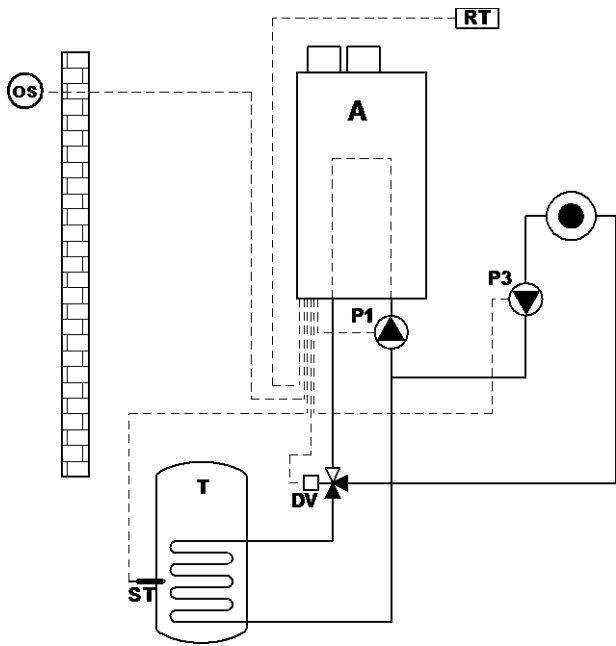
System type 3



System 3	Name	Wire terminal
P1	Boiler pump	30-31-32
P3	Optional heating pump	23-24-25
RT	Modulating room unit with timer	11-12
OS	Outdoor temperature sensor	1-2
No parameter change required		

A	= boiler
	= heating zone

System type 4

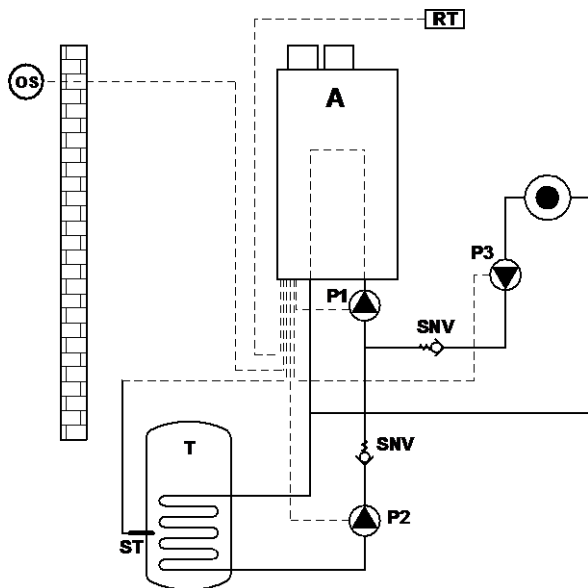


System 4	Name	Wire terminal
P1	Boiler pump	30-31-32
P3	Optional heating pump	23-24-25
RT	Modulating room unit with timer	11-12
T	Calorifier	
ST	Calorifier thermostat or tank sensor	5-6
OS	Outdoor temperature Sensor	1-2
DV	Diverter valve (3-way-valve)	26-27-28-29

Parameter change required

A	= boiler
	= heating zone

System type 5

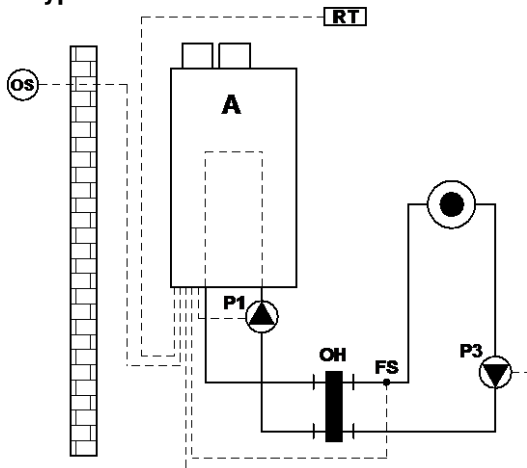


System 5	Name	Wire terminal
P1	Boiler pump	30-31-32
P3	Optional heating pump	23-24-25
RT	Modulating room unit with timer	11-12
T	Calorifier tank	
ST	Calorifier thermostat or tank sensor	5-6
P2	DHW primary pump	27-28-29
OS	Outdoor temperature sensor	1-2
SNV	Non-return valve	

Parameter change required

A	= boiler
	= heating zone

System type 6

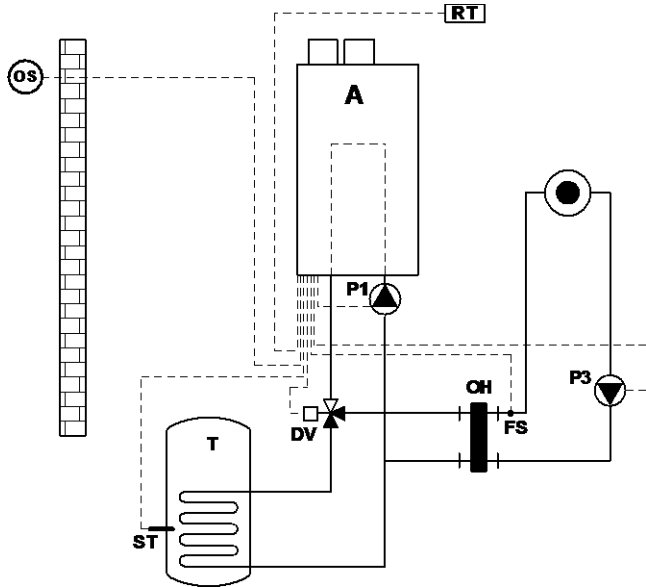


System 6	Name	Wire terminal
P1	Boiler pump	30-31-32
P3	Optional heating pump	23-24-25
RT	Modulating room unit with timer	11-12
FS	Flow temperature sensor	3-4
OH	Low loss header	
OS	Outdoor temperature sensor	1-2

No parameter change required

A	= boiler
	= heating zone

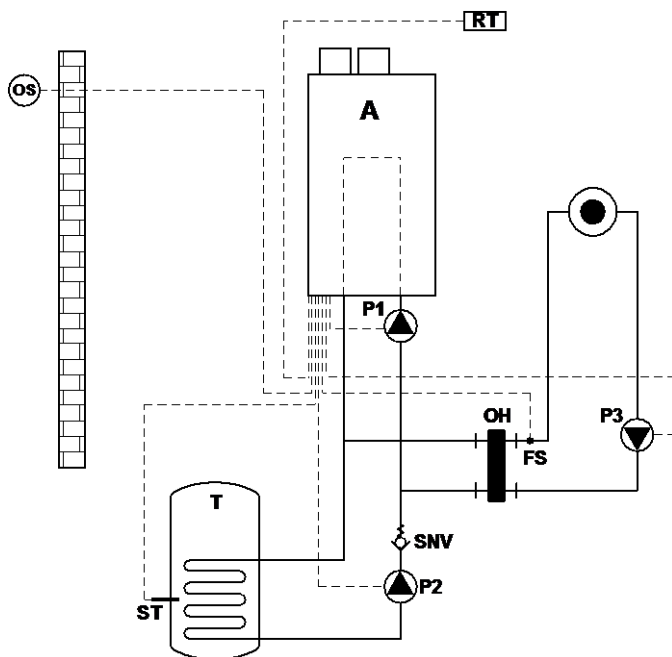
System type 7



System 7	Name	Wire terminal
P1	Boiler pump	30-31-32
P3	Optional heating pump	23-24-25
RT	Modulating room unit with timer	11-12
T	Calorifier tank	
ST	Calorifier thermostat or tank sensor	5-6
OH	Low Loss Header	
FS	Flow temperature sensor	3-4
DV	Diverter valve (3-way-valve)	26-27-28-29
OS	Outdoor temperature sensor	1-2
Parameter change required		

A	= boiler
	= heating zone

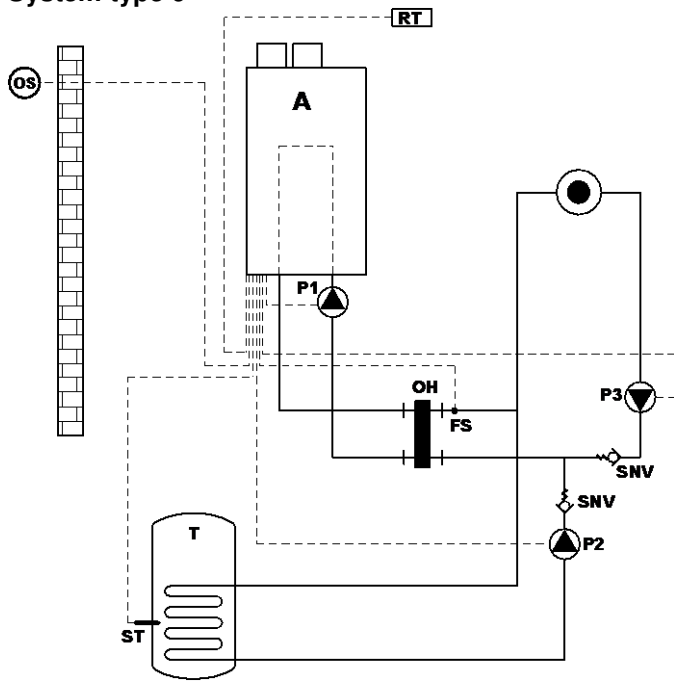
System type 8



System 8	Name	Wire terminal
P1	Boiler pump	30-31-32
P3	Optional heating pump	23-24-25
RT	Modulating room unit with timer	11-12
T	Calorifier	
P2	DHW primary pump	27-28-29
ST	Calorifier thermostat or tank sensor	5-6
OH	Low loss header	
FS	Flow temperature sensor	3-4
SNV	Non-return valve (low resistance type)	
OS	Outdoor temperature sensor	1-2
Parameter change required		

A	= boiler
	= heating zone

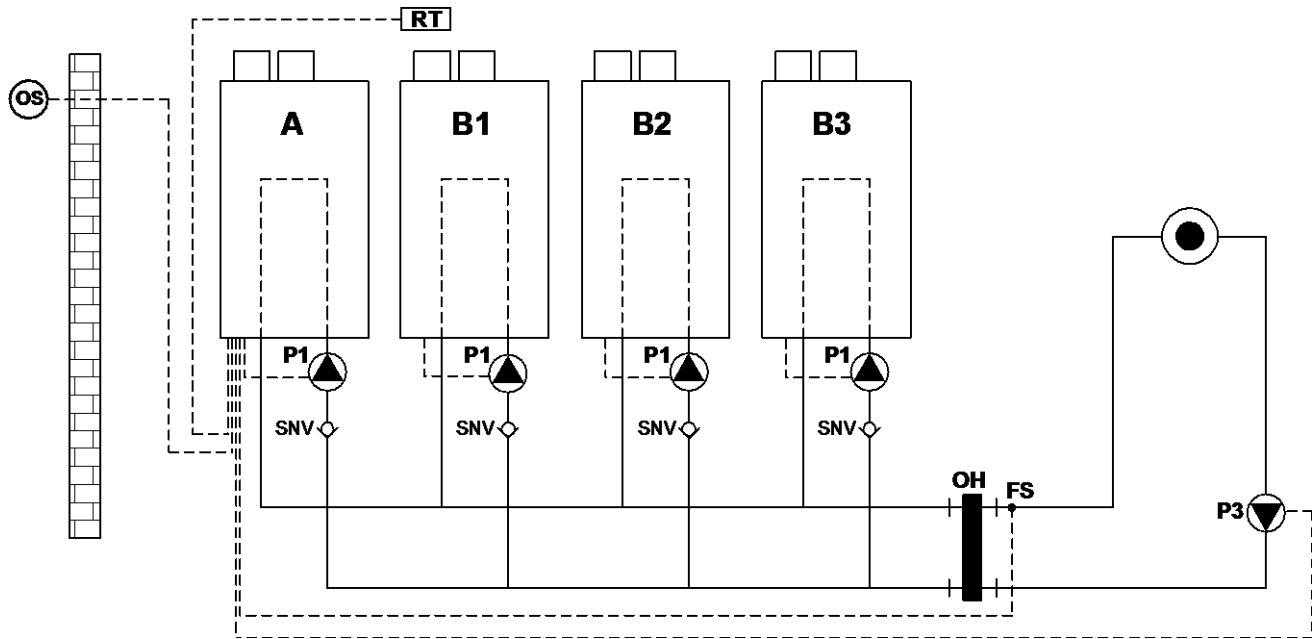
System type 9



System 9	Name	Wire terminal
P1	Boiler pump	30-31-32
P3	Optional heating pump	23-24-25
RT	Modulating room unit with timer	11-12
P2	DHW primary pump	27-28-29
T	Calorifier tank	
ST	Calorifier thermostat or tank sensor	5-6
OH	Low loss header	
FS	Flow temperature sensor	3-4
SNV	Non-return valve (low resistance type)	
OS	Outdoor temperature sensor	1-2
Parameter change required.		

A	= boiler
	= heating zone

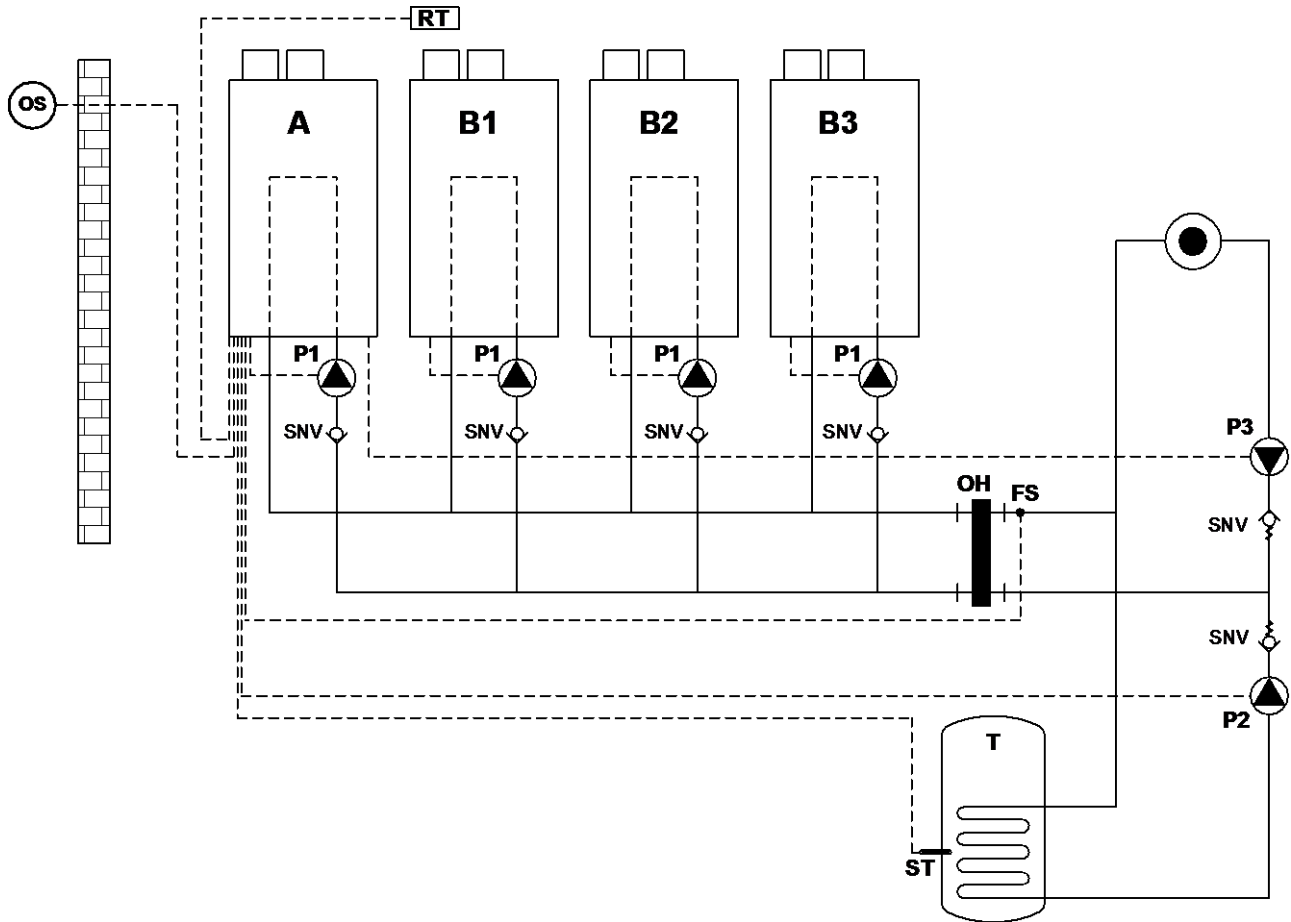
System type 10



System 10	Name	Wire terminal
P1	Boiler pump	30-31-32
P3	Optional heating pump	23-24-25
RT	Modulating room unit with timer	11-12
SNV	Non-return valve (low resistance type)	
OH	Low loss header	
FS	Flow temperature sensor	3-4
OS	Outdoor temperature sensor	1-2
Parameter change required		

A	= boiler master
B1	= boiler slave1
B2	= boiler slave2
B3	= boiler slave3
	= heating zone

System type 11

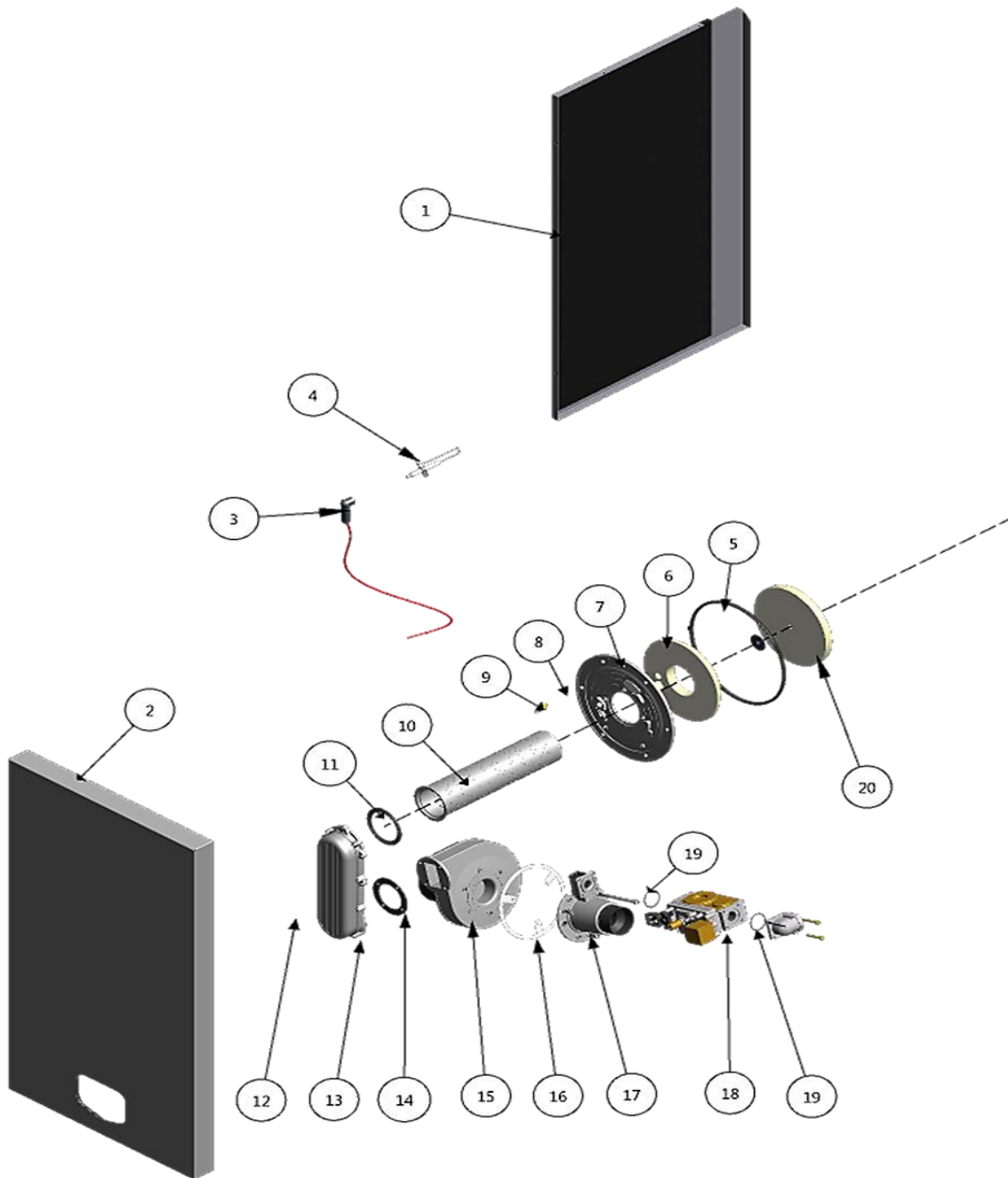


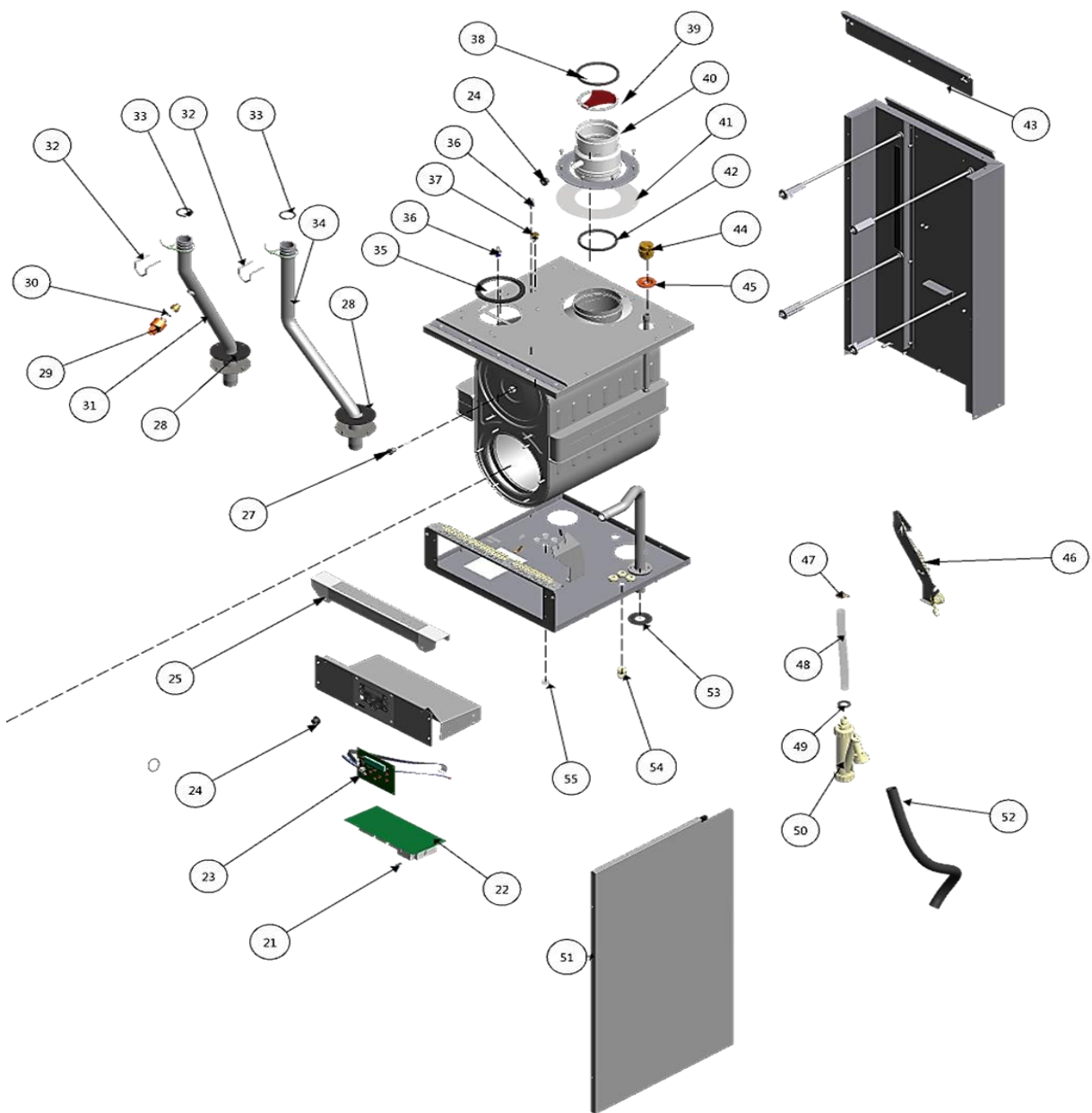
System 11	Name	Wire terminal
P1	Boiler pump	30-31-32
P3	Optional heating pump	23-24-25
RT	Modulating room unit with timer	11-12
SNV	Non-return valve (low resistance type)	
P2	DHW primary pump	27-28-29
T	Calorifier tank	
ST	Calorifier thermostat or sensor	5-6
OH	Low loss header	
FS	Flow temperature sensor	3-4
OS	Outdoor temperature sensor	1-2
Parameter change required.		

A	= boiler master
B1	= boiler slave1
B2	= boiler slave2
B3	= boiler slave3
	= heating zone

20. CPM SP116 SPARE PARTS

20.1. Spare parts exploded view





Item No.	Part Number.	Description
1	S01.000.393	SIDE PANEL LEFT CP-M-SP116
2	Contact Lochinvar	FRONT PANEL WITH INSULATION.
3	E04.016.583	IGNITION CABLE 60-180 KW BIC
4	S04.000.372	ELECTRODE SET
5	S07.004.035	GASKET BURNER DOOR - HEAT EXCHANGER
6	E07.010.093	INSULATION BURNER DOOR
7	S04.000.395	REPLACEMENT KIT BURNER DOOR (INCLUDING THERMOSTAT OF POS.9)
8	E06.010.012	NUT WITH FLANGE M6
9	Contact Lochinvar	HIGH LIMIT THERMOSTAT 260°C
10	E04.012.027	BURNER 10+6
11	E07.001.029	GASKET BURNER & GAS/AIR INLET PIPE
12	E06.021.001	SCREW M5X14
13	S03.000.164	GAS-AIR MIXING PIPE CP-M-SP116
14	E07.001.049	GASKET GAS/AIR INLET PIPE & FAN 58MM
15	E04.016.132	FAN RG 148
16	E05.001.234	DISTANCE RING VENTURI
17	S04.000.392	VENTURI ASSY CP-M-SP116
18	S04.000.393	GAS VALVE ASSY B+J COILS
19	S07.002.018	O-RING 33X2 NBR
20	S04.000.213	INSULATION BURNER ROOM 16 MM
21	S04.016.582	FUSE 5 AT (10 PCS)
22	Contact Lochinvar	BOILER CONTROL CPM SP116.
23	S04.000.224	DISPLAY BIC INCL. CABLE
24	E05.001.062	RUBBER PLUG Ø15
25	S1711EN	PROTECTIVE COVER CPM SP116 ENG
26	S04.000.280	HEAT EXCHANGER A120 (10+6)
27	E04.016.621	NTC FLUE GAS SENSOR ¼"
28	E07.003.108	GASKET BOTTOM PLATE FLOW/RETURN CPM SP116
29	S04.000.253	PRESSURE TRANSMITTER 4 BAR
30	E07.001.107	GASKET Ø16 X Ø9 X 2MM EPDM, 65° SHORE A
31	S1720	FLOW PIPE ASSY CPM SP116
32	E09.002.022	SPRING COUPLING
33	E07.002.033	O-RING Ø33,50 X 4,00
34	S1721	RETURN PIPE ASSY CPM SP116
35	E04.018.110	LIP SEAL Ø 100 MM. AIR INLET
36	E04.016.656	NTC FLUE GAS SENSOR 1/8"
37	E04.016.274	HIGH LIMIT THERMOSTAT 100°C
38	S07.004.024	SEAL RING 100 MM.
39	S05.000.148	FLUE GAS CHECK VALVE ASSY Ø100MM
40	S01.000.397	ADAPTOR Ø100 MM WITH CHECK VALVE
41	E07.001.081	SILICON GASKET 100-120/EVO399
42	S07.004.030	SEAL RING 3"
43	E01.004.157	WALL BRACKET
44	E04.015.008	AUTOMATIC AIR VENT
45	E04.010.033	TUBE GLAND Ø38 MM
46	Contact Lochinvar	REAR WALL HIGH TEMP. LIMIT SWITCH.
47	E04.010.143	HOSE CLAMP DW-13
48	E04.007.131	PVC HOSE Ø 21 X 15 L=340 MM.
49	E07.003.102	GASKET SIPHON / BOTTOM PLATE
50	E05.000.146	CONDENSATE DRAIN ASSEMBLY
51	S01.000.394	SIDE PANEL RIGHT CP-M-SP116
52	E04.007.038	CONDENSATE DRAIN HOSE 750 MM
53	E07.003.101	GASKET BOTTOM PLATE GAS PIPE
54	E05.000.064	PG-9 SWIVEL + CABLE GLAND 8MM
55	E05.001.227	PLUG Ø 16,5 MM. TRANSPARENT

21. INDEX

- 0-10 Vdc remote burner input control, 85
- 0-10 Vdc remote flow temperature set point, 84
- 3-way valve (diverter valve), 7, 44, 86

- accessories, 12
- accessories and unpacking, 12
- adjusting and setting the burner, 96
- air separator, 20 ff.
- air supply, 13, 24
- air venting, 18, 19
- anti-Legionnaires' disease (pasteurisation) function, 89
- article numbers, 12
- automatic air vent, 19
- automatic water filling systems, 19

- blocking, 17, 44, 78, 83, 93, 104, 113
- boiler connections, 15
- boiler room, 13
- bypass, 17

- C63 boilers, 26
- checking the fault history, 66
- checking the operating history, 65
- cleaning of the burner, 113
- closed boiler, 13, 24
- combustion air quality, 27
- commissioning the boiler, 90
- connections electric, 44 ff.
- connections gases miscellaneous, 24 ff.
- connections water miscellaneous, 14 ff.
- control panel / display unit, 49
- control panel menu structure, 50
- controlling behaviour settings, 83
- controlling options and settings, 81

- dimensions, 11
- dirt filter, 20 ff.
- dirt separator, 20 ff.
- display during operation, 52
- diverter valve (3-way valve), 7, 44, 86

- e-bus interface, 12
- efficiency, 7
- electrical connections, 44
- electrical installation, 44
- electrical schematics, 46
- expansion vessel, 17
- extra boiler control, 81

- fan, 13, 55, 81, 102, 113
- fault checking, 66, 78
- fault codes display, 78

- fault codes. blocking codes, 104
- firing for the first time, 95
- flue gas and air supply examples, 29
- flue gas and air supply systems, 24
- flushing with clean water, 20
- frame, 14
- frost protection, 17

- gas conversion, 102
- gas valve, 12, 91, ff, 102, 113

- hanging level, 14
- heat exchanger, 7, 87 ff, 113
- heating, 81 ff.
- heating and hot water switching at sudden temperature drop, 88
- heating and hot water switching time, 88
- hydraulic graphs, 22
- hysteresis, 83

- ignition, 113
- indirect hot water / calorifier, 86
- inspection & maintenance, 113
- installation examples, 20, 117 ff.
- installation of the CPM SP116, 13
- installing a strainer and/or dirt separator, 18
- introduction, 7

- legionnaires' disease, 58, 89
- low loss header, 17, 20, 93
- low/high flow temperature to tank coil, 87
- low-water level protection, 13

- maintenance, 113
- master, 7, 61
- max cooling time, 81
- modulation, 12, 117 ff.
- monitor screens, 52

- night shift, 61, 85
- non-return valve, 117 ff.

- offset, 83
- outdoor graph, 61
- outdoor sensor (outdoor temperature), 12, 44, 44, 61
- outdoor temperature control, 61
- oxygen, 18 ff.
- oxygen diffusion proof, 93
- oxygen tight, 93

- password, 71
- plastic piping in the heating system, 19
- positioning the boiler, 14
- power (supply), 7, 17, 44, 93
- pressure relief valve, 17

- printed circuit board, 46
- pump, 17
- pump and 3-way valve control, 86
- putting the boiler out of operation, 102

- quality of combustion air, 27
- quality of used water, 18

- reset, 78
- roof mounted duct, 27
- room thermostat on/off, 84
- room thermostat open therm, 84

- safety guidelines, 6
- pressure safety valve, 93
- schornsteinfeger function, 48
- sensor, 12, 17, 19, 44, 61, 83, 86, 117 ff.
- sensor values, 44
- service function, 55
- set points, 57
- setting at the maximum load, 92
- setting at the minimum load, 92
- setting the maintenance specifications, 67
- setting the outdoor specifications, 61
- setting the parameters with the display menu, 71
- setting the time & date, 56
- setting the timer programs, 58
- setting the user lock, 70
- siphon, 15, 95, 113
- starting the boiler, 95
- stationing the boiler, 14
- status, 52

- tank sensor, 86
- tank thermostat, 86
- technical data SB boilers, 7
- temperature display on/off, 81
- timer contact function, 85

- under floor heating, 20
- unpacking, 13
- user instructions, 116
- user manual, 7, 13

- ventilate, 6, 13
- venting, 6, 13, 18, 19, 113

- wall mounted duct, 14, 20
- water pressure, 19
- water pressure switch, 44, 93
- water quality, 18
- water side connections, 14
- water treatment, 19
- weather dependent control, 61, 84



IMPORTANT INFORMATION

These instructions must be read and understood before installing, commissioning, operating or maintaining the equipment.

