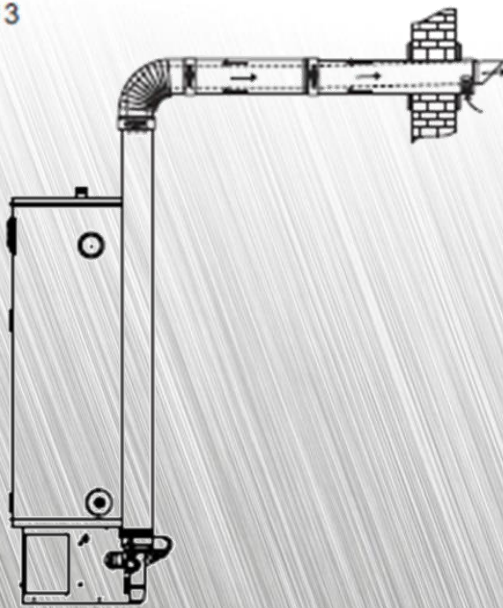


# EcoSable Flue Assemblies and Ancillaries

C13



C53



For use with Models:  
LGSS200-600  
LGSS200-720



**Lochinvar**<sup>®</sup>  
HIGH EFFICIENCY BOILERS & WATER HEATERS



# Contents

	<b>Page No.</b>
<b>CONCENTRIC HORIZONTAL FLUE ASSEMBLY</b>	<b><u>4</u></b>
<b>CONCENTRIC VERTICAL FLUE ASSEMBLY</b>	<b><u>5</u></b>
<b>TWIN-PIPE HORIZONTAL FLUE ASSEMBLY</b>	<b><u>6</u></b>
<b>TWIN-PIPE VERTICAL FLUE ASSEMBLY</b>	<b><u>7</u></b>
<b>TWIN PIPE HORIZONTAL FLUE ASSEMBLY UTILISING SEPARATE AIR INLET AND FLUE OUTLET</b>	<b><u>8</u></b>
<b>CONVENTIONAL VERTICAL FLUE ASSEMBLY</b>	<b><u>9</u></b>

# LV310759

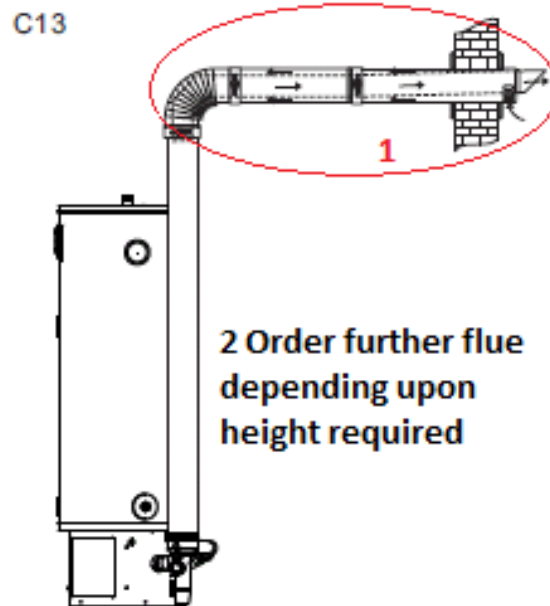
## CONCENTRIC HORIZONTAL FLUE ASSEMBLY-ALL MODELS

### COMPONENTS INCLUDED

Item No.	Description	Number	Included
LV310759	CONCENTRIC HORIZONTAL FLUE ASSEMBLY 80/125mm PP Includes: Horizontal Concentric terminal, wall plates, 90 bend and 500mm concentric extension	1	1

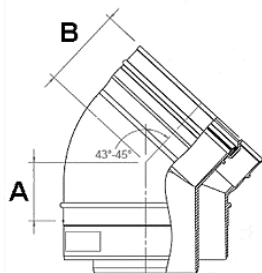
Maximum equivalent flue length =20 Metres

Maximum number of bends allowed =5

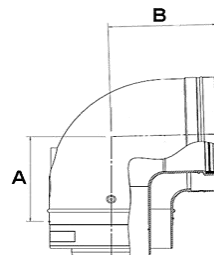


### Additional Flue Ancillary Items

Item No.	Description	Dimensions
LV310740	CONCENTRIC EXTENSION Ø80/125mm PP FIXED	250mm
LV310741	CONCENTRIC EXTENSION Ø80/125mm PP FIXED	500mm
M84452	CONCENTRIC EXTENSION Ø80/125mm PP FIXED	1000mm
LV310743	CONCENTRIC EXTENSION Ø80/125mm PP FIXED	2000mm
LV310744	CONCENTRIC EXTENSION Ø80/125mm PP TELESCOPIC	280 to395mm
M84455	CONCENTRIC EXTENSION Ø80/125mm PP CUT TO LENGTH	100 to450mm
M84461	CONCENTRIC BEND 45° Ø80/125mm PP	See drawing below
M84460	CONCENTRIC BEND 90° Ø80/125mm PP	See drawing below
M87195	WALL CLAMP Ø130	n/a



A=45mm  
B=62.5mm



A=95mm  
B=110mm

For further information, see Installation manual available at [www.lochinvar.ltd.uk](http://www.lochinvar.ltd.uk)

# LV310755

## CONCENTRIC VERTICAL FLUE ASSEMBLY-ALL MODELS

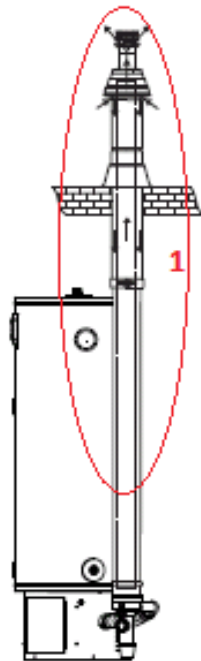
### COMPONENTS INCLUDED

Item No.	Description	Number	Included
LV310755	CONCENTRIC VERTICAL FLUE ASSEMBLY 80/125mm PP Includes: Vertical Concentric terminal, flat roof flashing and 1000mm concentric extension	1	1

Maximum equivalent flue length =20 Metres

Maximum number of bends allowed =5

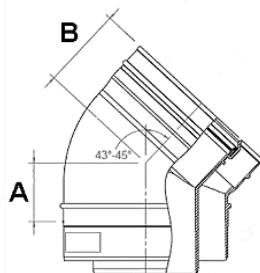
C33



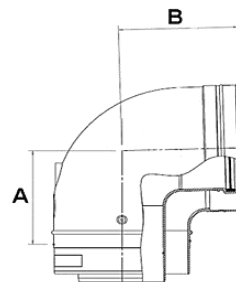
Order further flue pipe as required to suit the installation

### Additional Flue Ancillary Items

Item No.	Description	Dimensions
LV310740	CONCENTRIC EXTENSION Ø80/125mm PP FIXED	250mm
LV310741	CONCENTRIC EXTENSION Ø80/125mm PP FIXED	500mm
M84452	CONCENTRIC EXTENSION Ø80/125mm PP FIXED	1000mm
LV310743	CONCENTRIC EXTENSION Ø80/125mm PP FIXED	2000mm
LV310744	CONCENTRIC EXTENSION Ø80/125mm PP TELESCOPIC	280 to 395mm
M84455	CONCENTRIC EXTENSION Ø80/125mm PP CUT TO LENGTH	100 to 450mm
M84461	CONCENTRIC BEND 45° Ø80/125mm PP	See drawing below
M84460	CONCENTRIC BEND 90° Ø80/125mm PP	See drawing below
M87195	WALL CLAMP Ø130	n/a



A=45mm  
B=62.5mm



A=95mm  
B=110mm

For further information, see Installation manual available at [www.lochinvar.ltd.uk](http://www.lochinvar.ltd.uk)

# ELGPH001

## TWIN PIPE HORIZONTAL FLUE ASSEMBLY USING A CONCENTRIC TERMINAL-ALL MODELS

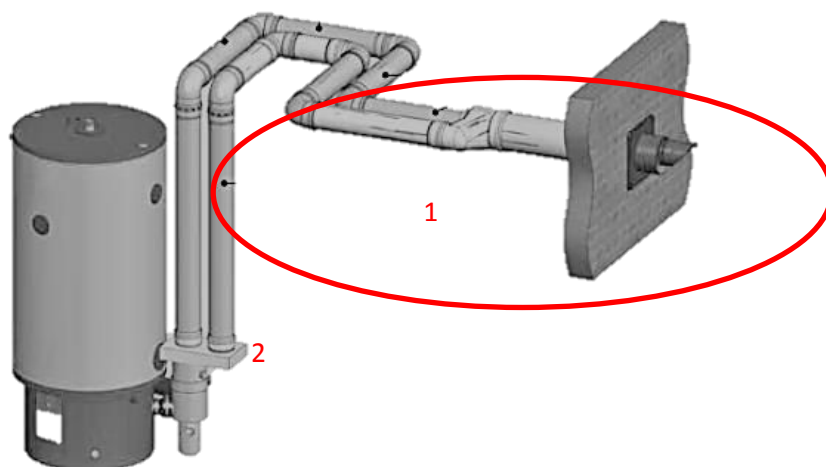
### COMPONENTS INCLUDED

Item No.	Description	Number	Included
LV310730	TWIN PIPE HORIZONTAL FLUE ASSEMBLY Ø80/125mm-2X80mm Includes: Concentric terminal with twin pipe adapter, wall plates, 2x 80mm 90 bends, and 2x 500mm 80mm extensions	1	1
LV312209	CONCENTRIC TO TWIN PIPE ADAPTOR Ø80/125mm - 2X80mm	2	1

Maximum equivalent flue length =50 Metres

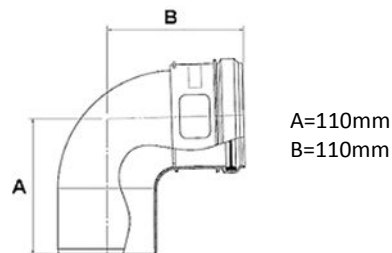
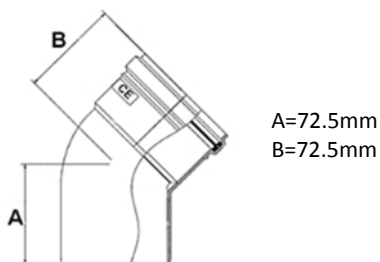
Reduction for each 90 bend=3.9metre

Reduction for each 45 bend=1.1metre



### Additional Flue Ancillary Items

Item No.	Description	Dimensions
LV310718	EXTENSION 80mm PP	250mm
M85271	EXTENSION 80mm PP	500mm
M85272	EXTENSION 80mm PP	1000mm
LV310721	EXTENSION 80mm PP	2000mm
LV310722	EXTENSION Ø80mmPP TELESCOPIC	(280-395mm)
M85292	BEND 45° Ø80mm PP	See drawing below
M85291	BEND 90° Ø80mm PP	See drawing below
LV310703	BEND WITH SUPPORT 90° Ø80mm PP	n/a
LV310690	SUPPORT BRACKET FOR BEND WITH SUPPORT	n/a
M87191	WALL CLAMP - 80mm	n/a



For further information, see Installation manual available at [www.lochinvar.ltd.uk](http://www.lochinvar.ltd.uk)

# ELGPV001

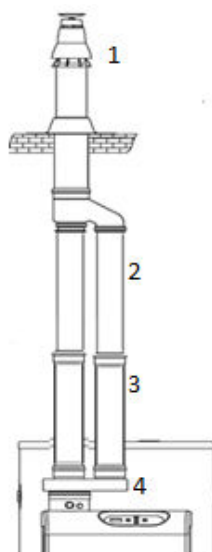
## TWIN PIPE VERTICAL FLUE ASSEMBLY-ALL MODELS

COMPONENTS INCLUDED			
Item No.	Description	Number	Included
LV310712	TWIN PIPE VERTICAL FLUE ASSEMBLY Ø80/125mm-2X80mm Includes: Concentric terminal with twin pipe adapter, flat roof flashing and 2x 1000mm 80mm extensions	1	1
LV312209	CONCENTRIC TO TWIN PIPE ADAPTOR Ø80/125mm - 2X80mm	2	1

**Maximum equivalent flue length =50 Metres**

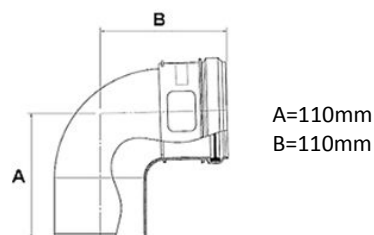
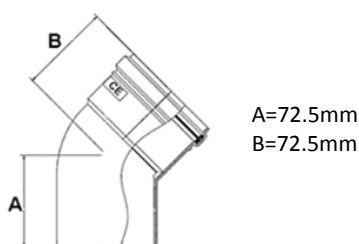
**Reduction for each 90 bend=3.9metre**

**Reduction for each 45 bend=1.1metre**



For further information, see Installation manual available at [www.lochinvar.ltd.uk](http://www.lochinvar.ltd.uk)

Item No.	Description	Dimensions
LV310718	EXTENSION 80mm PP	250mm
M85271	EXTENSION 80mm PP	500mm
M85272	EXTENSION 80mm PP	1000mm
LV310721	EXTENSION 80mm PP	2000mm
LV310722	EXTENSION Ø80mmPP TELESCOPIC	(280-395mm)
M85292	BEND 45° Ø80mm PP	See drawing below
M85291	BEND 90° Ø80mm PP	See drawing below
LV310703	BEND WITH SUPPORT 90° Ø80mm PP	n/a
LV310690	SUPPORT BRACKET FOR BEND WITH SUPPORT	n/a
M87191	WALL CLAMP - 80mm	n/a



For further information, see Installation manual available at [www.lochinvar.ltd.uk](http://www.lochinvar.ltd.uk)

## TWIN PIPE HORIZONTAL FLUE ASSEMBLY UTILISING SEPARATE AIR INLET AND FLUE OUTLET-ALL MODELS

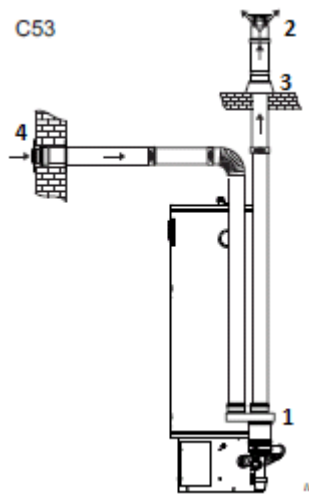
### COMPONENTS REQUIRED TO START INSTALLATION

Item No.	Description	Number
LV312209	CONCENTRIC TO TWIN PIPE ADAPTOR $\varnothing 80/125\text{mm}$ - 2X80mm	1
LV310753	CONCENTRIC VERTICAL TERMINAL - $\varnothing 80/125\text{mm}$ PP	2
LV302520	FLAT ROOF FLASHING $\varnothing 140\text{mm}$ ALU	3
LV305016	HORIZONTAL AIR INLET $\varnothing 80\text{mm}$	4

**Maximum equivalent flue length =50 Metres**

**90 bend= 3.9mtr equivalent length**

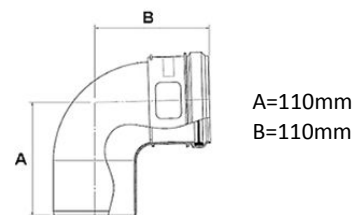
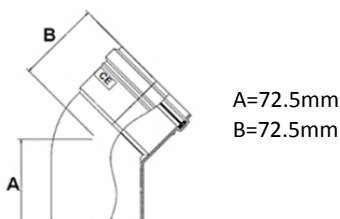
**45 bend= 1.1mtr equivalent length**



Additional flue items should be chosen from the table below to complete the installation.

### Additional Flue Ancillary Items

Item No.	Description	Dimensions
LV310718	EXTENSION 80mm PP	250mm
M85271	EXTENSION 80mm PP	500mm
M85272	EXTENSION 80mm PP	1000mm
LV310721	EXTENSION 80mm PP	2000mm
LV310722	EXTENSION $\varnothing 80\text{mm}$ PP TELESCOPIC	(280-395mm)
M85292	BEND 45° $\varnothing 80\text{mm}$ PP	See drawing below
M85291	BEND 90° $\varnothing 80\text{mm}$ PP	See drawing below
LV310703	BEND WITH SUPPORT 90° $\varnothing 80\text{mm}$ PP	n/a
LV310690	SUPPORT BRACKET FOR BEND WITH SUPPORT	n/a
M87191	WALL CLAMP - 80mm	n/a



For further information, see Installation manual available at [www.lochinvar.ltd.uk](http://www.lochinvar.ltd.uk)



# B23

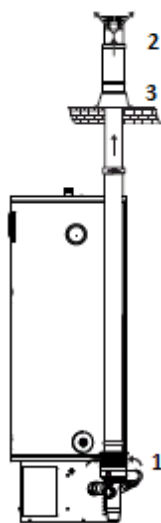
## FAN ASSISTED CONVENTIONAL FLUE TRANSITION-ALL MODELS

### COMPONENTS INCLUDED

Item No.	Description	Number	
LV305030	APPLIANCE AIR INTAKE GUARD Ø80/125mm	1	
LV310753	CONCENTRIC VERTICAL TERMINAL - Ø80/125mm PP	2	
LV302520	FLAT ROOF FLASHING Ø140mm ALU	3	

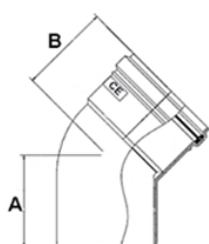
**Maximum equivalent flue length =50 Metres**

**Reduction for each 90 bend=3.9metre**

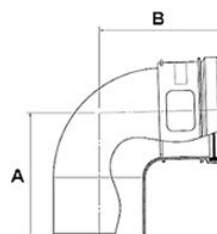


### Additional Flue Ancillary Items

Item No.	Description	Dimensions
LV310718	EXTENSION 80mm PP	250mm
M85271	EXTENSION 80mm PP	500mm
M85272	EXTENSION 80mm PP	1000mm
LV310721	EXTENSION 80mm PP	2000mm
LV310722	EXTENSION Ø80mmPP TELESCOPIC	(280-395mm)
M85292	BEND 45° Ø80mm PP	See drawing below
M85291	BEND 90° Ø80mm PP	See drawing below
LV310703	BEND WITH SUPPORT 90° Ø80mm PP	n/a
LV310690	SUPPORT BRACKET FOR BEND WITH SUPPORT	n/a
M87191	WALL CLAMP - 80mm	n/a



A=72.5mm  
B=72.5mm



A=110mm  
B=110mm

For further information, see Installation manual available at [www.lochinvar.ltd.uk](http://www.lochinvar.ltd.uk)







## IMPORTANT INFORMATION

These instructions must be read and understood before installing, commissioning, operating or maintaining the equipment.

