

EcoSword range Flue Guide



Models covered:

LGC160-210
LGC160-350
LGC200-210
LGC200-350
LGC245-420
LGC245-560
LGC285-420
LGC285-560
LGC380-560

DOCUMENT CONTROL

Article	Language	Version	Modified by
EcoSword flue guide	English	V1.0 October 2021	S Hunt

Contents

GENERAL.....	3
Drawing 1 Water Heater terminal locations.....	4
Table 1 Water Heater terminal locations.....	4
CONCENTRIC FLUE SYSTEMS	5
Standard concentric horizontal and vertical flue.....	5
Twin-pipe flue.....	7
CONVENTIONAL (EXHAUST ONLY) FLUE SYSTEMS	8
Common flue systems.....	9
ORDER FORM AND NOTES	10

GENERAL

Lochinvar Water Heaters are certified for use on the following flue categories:

Installation type	Category	Description
B23	Open flue	An appliance intended to be connected to a flue that evacuates the products of combustion to the outside of the room containing the appliance. The combustion air is drawn directly from the room.
C13	Closed Flue	An appliance connected to either a concentric or twin-pipe flue system with a Horizontal flue terminal. Both the air inlet and flue exhaust must be in the same pressure zone.
C33	Closed Flue	An appliance connected to either a concentric or twin-pipe flue system with a Vertical flue terminal. Both the air inlet and flue exhaust must be in the same pressure zone.
C43	Closed Flue	An appliance connected to a common air inlet and flue exhaust system, which is designed for more than one appliance. This common system has a single air inlet and flue exhaust and is part of the building not the appliance.
C53	Closed Flue	An appliance connected to a twin-pipe flue system with a Horizontal or Vertical flue terminal. Both air inlet and flue exhaust may be in different pressure zones.
C63	Closed Flue	An appliance intended to be connected to a separately approved and marketed system for the supply of combustion air and discharge of combustion products (i.e. other than that supplied by the water heater manufacturer).

All installations should comply with the requirements of:

1. For appliances up to 70kW net input- BS5440-1:2008- Flueing and ventilation for gas appliances of rated input not exceeding 70 kW net (1st, 2nd and 3rd family gases). Specification for installation of gas appliances to chimneys and for maintenance of chimneys.
 - a. Refer to drawing 1 and table 1 for details of terminal locations.
2. For appliances over 70kW net input- IGEM/UP/10 Edition 4 +A: 2016 - Installation of flued gas appliances in industrial and commercial premises, specific attention should be paid to the following sections.
 - a. Refer to drawing 1 and table 1 for details of terminal locations.
 - b. Horizontal terminations shall be located according to the minimum distances given in table 1, and subject to the risk assessment criteria shown in table 2.
 - c. Horizontal flue terminations (other than for fan dilution systems) must not be installed for any single appliance or group of appliances with a total nett input exceeding 333kW net heat input.
 - d. For any single appliance or group of appliances with a total net heat input exceeding 333 kW, the general requirements of IGEM/UP/10 Edition 4 +A: 2016 shall apply and approval must be sought from the Local Authority prior to commencement of the installation.
3. The Clean Air Act for installations exceeding 333kW nett input.

DRAWING 1 WATER HEATER TERMINAL LOCATIONS

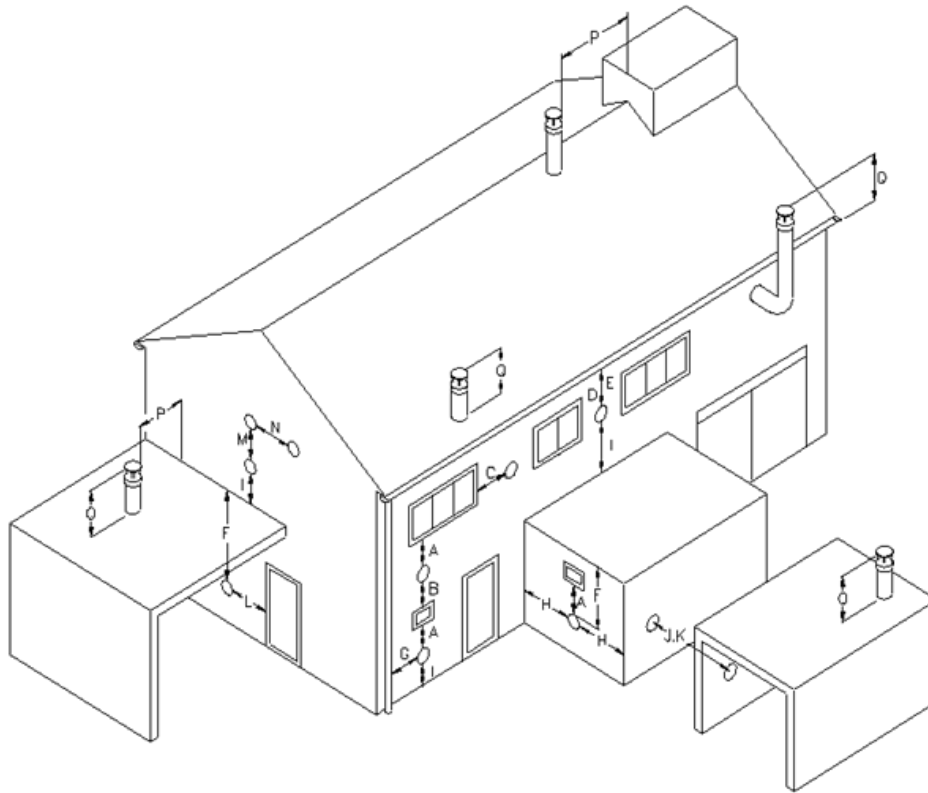


TABLE 1 WATER HEATER TERMINAL LOCATIONS

Location	Description		LGC160-210 GPCE	LGC160-350 GPCE	LGC200-210 GPCE	LGC200-350 GPCE	LGC245-420 GPCE	LGC245-560 GPCE	LGC285-420 GPCE	LGC285-560 GPCE	LGC380-560 GPCE
	Water heater nett input	kW	11.0	18.2	11.0	18.2	22.2	29.3	22.2	29.3	29.3
A	Directly below an opening, air brick, opening windows etc.#	mm	300	300	300	300	300	300	300	300	300
B	Above an opening, air brick, opening windows etc.	mm	300	300	300	300	300	300	300	300	300
C	Horizontally to an opening, air brick, opening windows etc.#	mm	300	300	300	300	300	300	300	300	300
D	Below a gutter or sanitary pipework	mm	75	75	75	75	75	75	75	75	75
E	Below the eaves	mm	200	200	200	200	200	200	200	200	200
F	Below a balcony or car port roof	mm	200	200	200	200	200	200	200	200	200
G	From a vertical drain or soil pipe	mm	150	150	150	150	150	150	150	150	150
H	From an internal or external corner	mm	300	300	300	300	300	300	300	300	300
I	Above ground, roof or balcony level	mm	300	300	300	300	300	300	300	300	300
J	From a surface facing the terminal	mm	600	600	600	600	600	600	600	600	600
K	From a terminal facing the terminal	mm	1200	1200	1200	1200	1200	1200	1200	1200	1200
L	From an opening in the car port (e.g. door, window) into the dwelling	mm	1200	1200	1200	1200	1200	1200	1200	1200	1200
M	Vertically from a terminal on the same wall	mm	1500	1500	1500	1500	1500	1500	1500	1500	1500
N	Horizontally from a terminal on the same wall	mm	300	300	300	300	300	300	300	300	300
P	From a vertical structure on the roof	mm	N/A								
Q	Above intersection with the roof	mm	300	300	300	300	300	300	300	300	300

*distances shown ensure the Water Heaters will operate without problems under most conditions, these distances can be reduced in certain circumstances contact Lochinvar Technical support for assistance if required.

CONCENTRIC FLUE SYSTEMS

STANDARD CONCENTRIC HORIZONTAL AND VERTICAL FLUE

ELGH001 CONCENTRIC HORIZONTAL FLUE ASSEMBLY ALL MODELS

COMPONENTS INCLUDED

tem No.	Description	Included
LV310759	CONCENTRIC HORIZONTAL FLUE ASSEMBLY 80/125mm PP	1
LV310744	CONCENTRIC EXTENSION - Ø80/125mm PP TELESCOPIC	1

INCLUDES 90 BEND, 500mm LENGTH AND WALL PLATES

Centre Line Measurement

A DIMENSION FOR MODELS LGC160-210 / LGC200-350	1800mm
A DIMENSION FOR MODELS LGC245-420 / LGC380-560	1840mm

ELGV001 CONCENTRIC VERTICAL FLUE ASSEMBLY ALL MODELS

COMPONENTS INCLUDED

Item No.	Description	Included
LV310744	CONCENTRIC EXTENSION - Ø80/125mm PP TELESCOPIC	1
LV310755	CONCENTRIC VERTICAL FLUE ASSEMBLY 80/125mm PP	1

INCLUDES 1000MM EXTENSION AND FLAT ROOF FLASHING AND TERMINAL

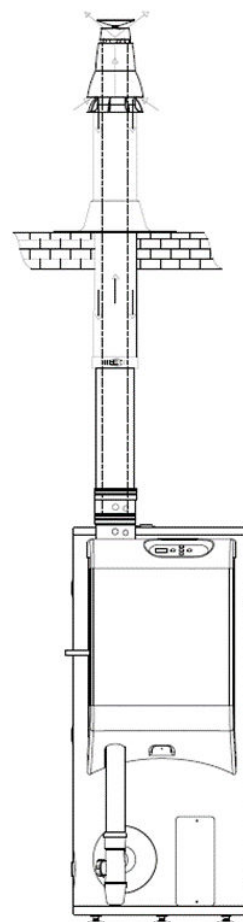
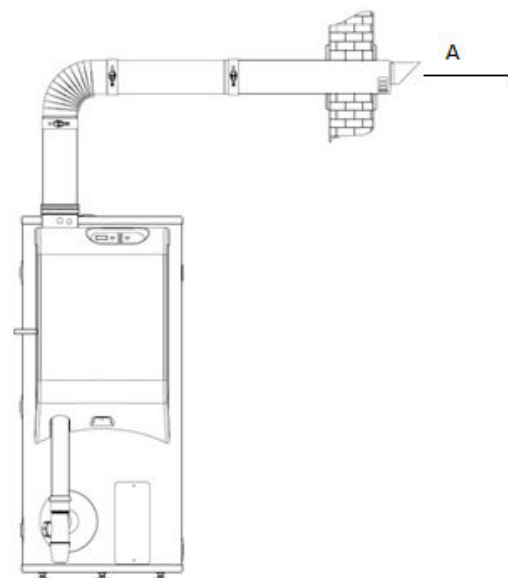
Maximum Flue Lengths

Maximum equivalent flue length = 40 Metres

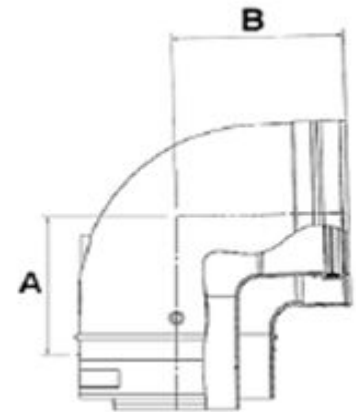
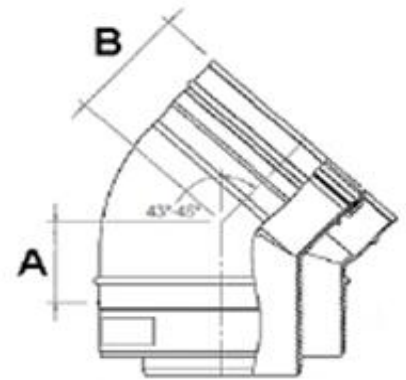
Maximum number of bends allowed = 8



Even if using less than the maximum number of bends, the maximum pipe length may not be exceeded. Even if using less than the maximum pipe length, the maximum number of bends may not be exceeded.



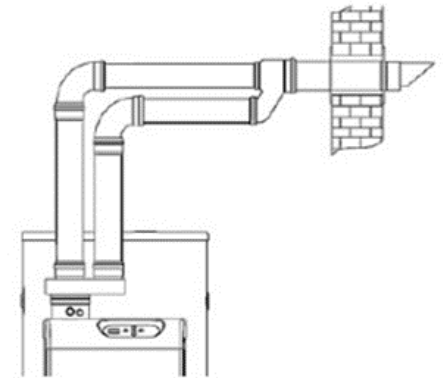
Additional Flue Ancillary Items	
Item No.	Description
LV310740	CONCENTRIC EXTENSION - \varnothing 80/125mm PP FIXED (250mm)
LV310745	CONCENTRIC EXTENSION - \varnothing 80/125mm PP (500mm) Cut to length
LV310742	CONCENTRIC EXTENSION - \varnothing 80/125mm PP FIXED (1000mm)
LV310743	CONCENTRIC EXTENSION - \varnothing 80/125mm PP FIXED (2000mm)
LV310744	CONCENTRIC EXTENSION - \varnothing 80/125mm PP TELESCOPIC
LV310745	CONCENTRIC EXTENSION - \varnothing 80/125mm PP (500mm) Cut to length
LV310734	CONCENTRIC BEND 45° \varnothing 80/125mm PP (A = 45mm, B=62.5mm)
LV310735	CONCENTRIC BEND 90° \varnothing 80/125mm PP (A=95mm, B=110mm)
M84481	WALL CLAMP \varnothing 125mm



**ELGPH001 TWIN PIPE HORIZONTAL FLUE ASSEMBLY
ALL MODELS**

COMPONENTS INCLUDED

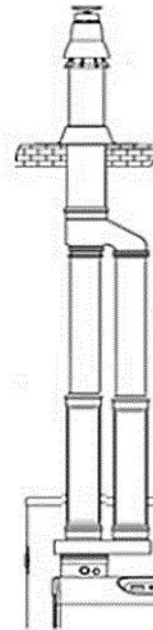
Item No.	Description	Included
LV310728	CONC HORZ TERMINAL - Ø80/80mm TO Ø80/125mm PP	1
M85291	BEND 90° Ø80mm PP	2
LV310718	EXTENSION - Ø80mm (250mm) PP	2
LV310722	EXTENSION - Ø80mm PP TELESCOPIC	2
LV312209	CONC TO TWIN PIPE ADAPTOR - Ø80/125 - 80/80 PP/ALU	1



**ELGPV001 TWIN PIPE VERTICAL FLUE ASSEMBLY
ALL MODELS**

COMPONENTS INCLUDED

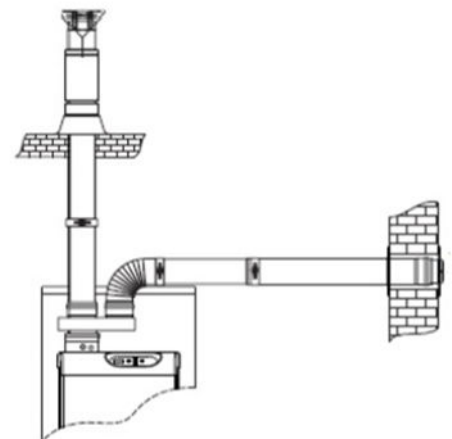
Item No.	Description	Included
LV310708	VERTICAL CONC TERMINAL - Ø80/80mm TO Ø80/125mm PP	1
M85272	EXTENSION Ø80mm (1000mm) PP	2
LV310722	EXTENSION - Ø80mm PP TELESCOPIC	2
LV312209	CONC TO TWIN PIPE ADAPTOR - Ø80/125 - 80/80 PP/ALU	1



**TWIN PIPE HORIZONTAL FLUE ASSEMBLY UTILISING SEPARATE AIR INLET AND FLUE
OUTLET-ALL MODELS**

COMPONENTS INCLUDED

Item No.	Description	Included
LV312209	CONC TO TWIN PIPE ADAPTOR - Ø80/125 - 80/80 PP/ALU	1
LV305016	HORIZONTAL AIR INLET Ø80mm	1
LV310753	CONCENTRIC VERTICAL TERMINAL - Ø80/125mm PP	1
LV310757	CONCENTRIC HORIZONTAL TERMINAL - Ø80/125mm PP	1
M28925	TERMINAL WALL PLATES	1

**Maximum Flue Lengths**

Maximum equivalent flue length = 50 Metres

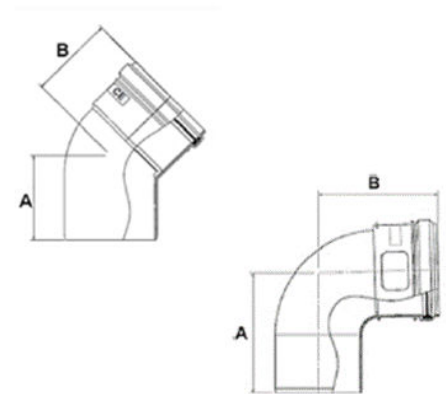
90 Bend = 3.9 equivalent length

45 Bend = 1.1m equivalent length



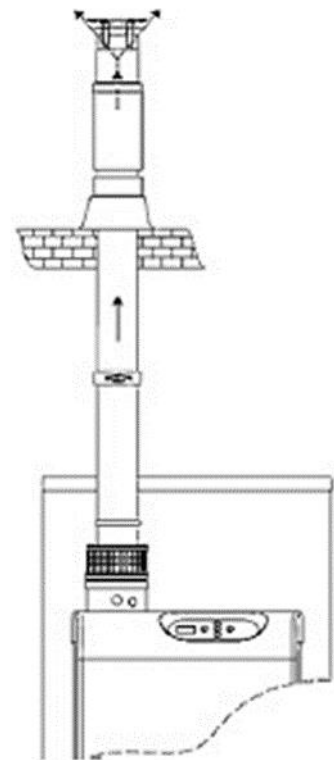
Even if using less than the maximum number of bends, the maximum pipe length may not be exceeded. Even if using less than the maximum pipe length, the maximum number of bends may not be exceeded.


Additional Flue Ancillary Items Twin-pipe flue	
Item No.	Description
LV310718	EXTENSION - Ø80mm (250mm) PP Cut to length
M85271	EXTENSION Ø80mm (500mm) PP Cut to length
M85272	EXTENSION Ø80mm (1000mm) PP Cut to length
LV310721	EXTENSION - Ø80mm (2000mm) PP Cut to length
LV310722	EXTENSION - Ø80mm PP TELESCOPIC
M85292	BEND 45° Ø80mm PP (A=72.5mm, B=72.5mm)
M85291	BEND 90° Ø80mm PP (A=110mm, B=110mm)
LV310703	BEND WITH SUPPORT 90° Ø80mm PP
LV310690	SUPPORT BRACKET
M87191	WALL CLAMP Ø80mm



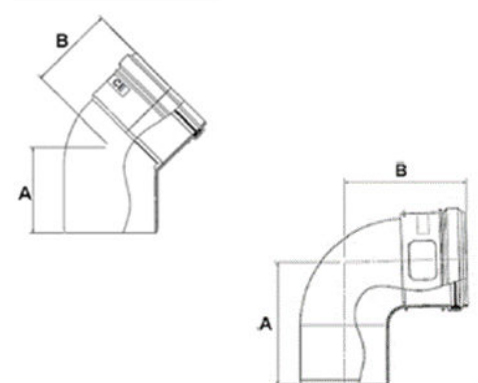
CONVENTIONAL (EXHAUST ONLY) FLUE SYSTEMS

ELGCF001 CONVENTIONAL VERTICAL FLUE ASSEMBLY ALL MODELS		
COMPONENTS INCLUDED		
Item No.	Description	Included
LV310753	CONCENTRIC VERTICAL TERMINAL - Ø80/125mm PP	1
M85272	EXTENSION Ø80mm (1000mm) PP	1
LV310722	EXTENSION - Ø80mm PP TELESCOPIC	1
LV305030	APPLIANCE AIR INTAKE GUARD Ø80/125mm	1



Maximum Flue Lengths	
Maximum equivalent flue length = 50 Metres	
90 Bend = 3.9 equivalent length	
45 Bend = 1.1m equivalent length	
	Even if using less than the maximum number of bends, the maximum pipe length may not be exceeded. Even if using less than the maximum pipe length, the maximum number of bends may not be exceeded.

Additional Flue Ancillary Items Conventional flue	
Item No.	Description
LV310718	EXTENSION - Ø80mm (250mm) PP Cut to length
M85271	EXTENSION Ø80mm (500mm) PP Cut to length
M85272	EXTENSION Ø80mm (1000mm) PP Cut to length
LV310721	EXTENSION - Ø80mm (2000mm) PP Cut to length
LV310722	EXTENSION - Ø80mm PP TELESCOPIC
M85292	BEND 45° Ø80mm PP (A=72.5mm, B=72.5mm)
M85291	BEND 90° Ø80mm PP (A=110mm, B=110mm)
LV310703	BEND WITH SUPPORT 90° Ø80mm PP
LV310690	SUPPORT BRACKET
M87191	WALL CLAMP Ø80mm



COMMON FLUE SYSTEMS

Any installations using flue type C63 must be designed and installed in compliance with any local Building or planning regulations, but as these systems use a flue system not supplied by Lochinvar, Lochinvar cannot comment / advise or provide support on the design of this type of flue system. To design such a flue system, the installer/contractor must consult a specialist flue supplier who will be responsible for the design and installation of the separate flue system. When designing the type C63 flue system, the instructions in the Installation Manual, provided with the water heater, must be considered. Lochinvar will provide pressure loss figures for the specific units, but other than that, Lochinvar cannot provide support on Common Flue requests because flue certification is limited to the certified categories in the table on page 2. Lochinvar cannot accept any responsibility for Flue system design.

Maximum pressure						
	Inlet only		Outlet only		Inlet + outlet	
	Pinlet	Poutlet	Pinlet	Poutlet	Pinlet	Poutlet
	[Pa]	[Pa]	[Pa]	[Pa]	[Pa]	[Pa]
LGC-...-210	-41	0	0	33	-25	23
LGC-...-350	-74	0	0	59	-44	41
LGC-...-420	-108	0	0	108	-56	56
LGC-...-560	-192	0	0	192	-100	100

Notes-Items to order		
Item No.	No required	Notes

Contact Lochinvar customer service to order additional flue items on 01295 269981



Lochinvar Limited
7 Lombard way,
The MXL centre,
Banbury
OX16 4TJ
01296 269981
www.lochinvar.ltd.uk