

EcoCharger Hybrid Flue Assemblies and Ancillaries

For use with Models:

HWHC44-370GCE

HWHC63-370GCE

HWH32-220GCE

HWH33-370GCE

HWH52-370GCE

HWH63-370GCE

HWH87-480GCE

HWH106-480GCE

HWH129-480GCE



Lochinvar[®]
HIGH EFFICIENCY BOILERS & WATER HEATERS

Contents

	Page No.
Horizontal Concentric flue assembly	<u>3-4</u>
Vertical Concentric flue assembly	<u>5-6</u>
Horizontal Twin-pipe flue assembly-Using combined concentric terminal	<u>7-8</u>
Horizontal Twin-pipe flue assembly- Using separate air inlet and exhaust outlet terminals	<u>9-10</u>
Vertical Twin-pipe flue assembly- Using combined concentric terminal	<u>11-12</u>
Vertical Twin-pipe flue assembly- Using separate air inlet and exhaust outlet terminals	<u>13-14</u>
Conventional Flue assembly	<u>15-16</u>

LV302504

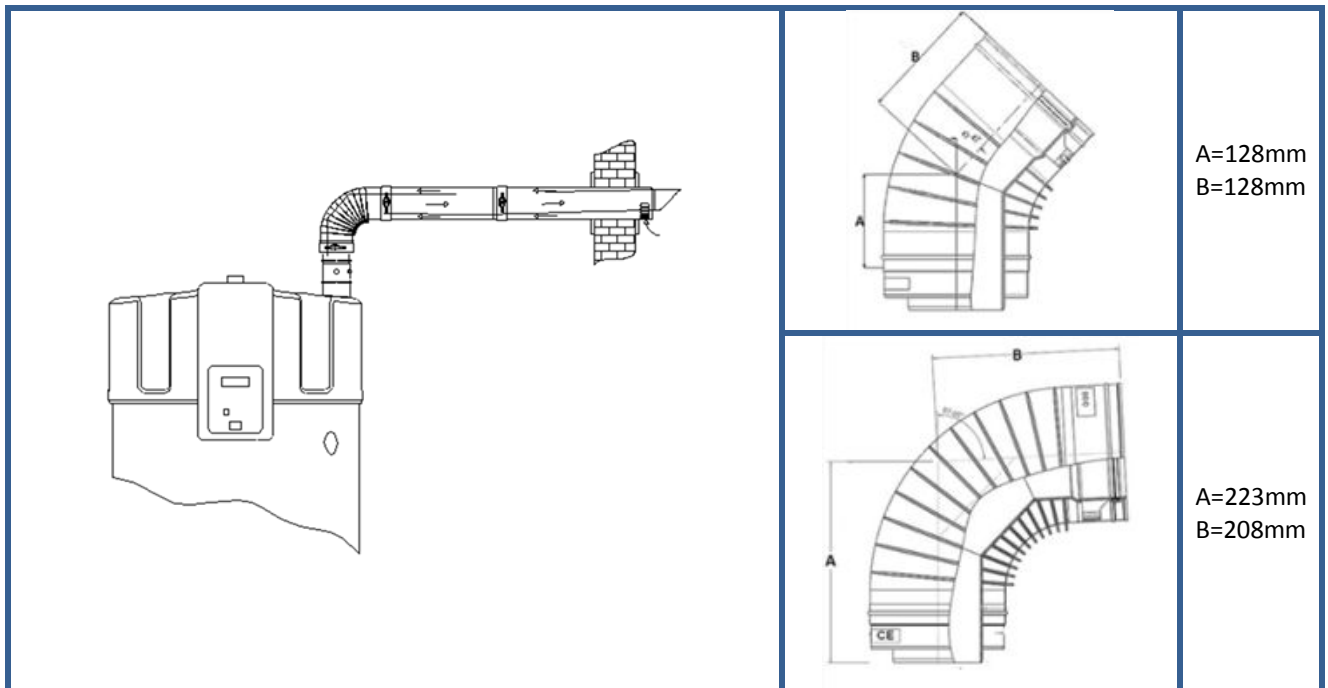
CONCENTRIC HORIZONTAL FLUE ASSEMBLY-MODELS

HWH32-220,HWH33-370,HWHC44-370,HWH52-370,
HWH63-370,HWHC63-370

COMPONENTS INCLUDED		
Item No.	Description	Included
LV302505	CONCENTRIC HORIZONTAL TERMINAL \varnothing 100/150 ALU	1
LV302499	CONCENTRIC EXTENSION \varnothing 100/150 (500mm) ALU CUT TO LENGTH	1
LV302502	CONCENTRIC BEND 90° \varnothing 100/150 ALU	1

Maximum equivalent flue length =40 Metres

Maximum number of bends allowed =7



ADDITIONAL FLUE ANCILLARY ITEMS

Item No.	Description
LV303854	CONCENTRIC TEST POINT \varnothing 100/150 ALU
LV302499	CONCENTRIC EXTENSION \varnothing 100/150 (500mm) ALU CUT TO LENGTH
LV311450	CONCENTRIC EXTENSION \varnothing 100/150mm (1000mm) ALU CUT TO LENGTH
LV311451	CONCENTRIC EXTENSION \varnothing 100/150mm (1500mm) ALU CUT TO LENGTH
LV302502	CONCENTRIC BEND 90° \varnothing 100/150 ALU
LV311454	CONCENTRIC BEND 45° \varnothing 100/150mm ALU
M87196	WALL CLAMP \varnothing 150

LV311465

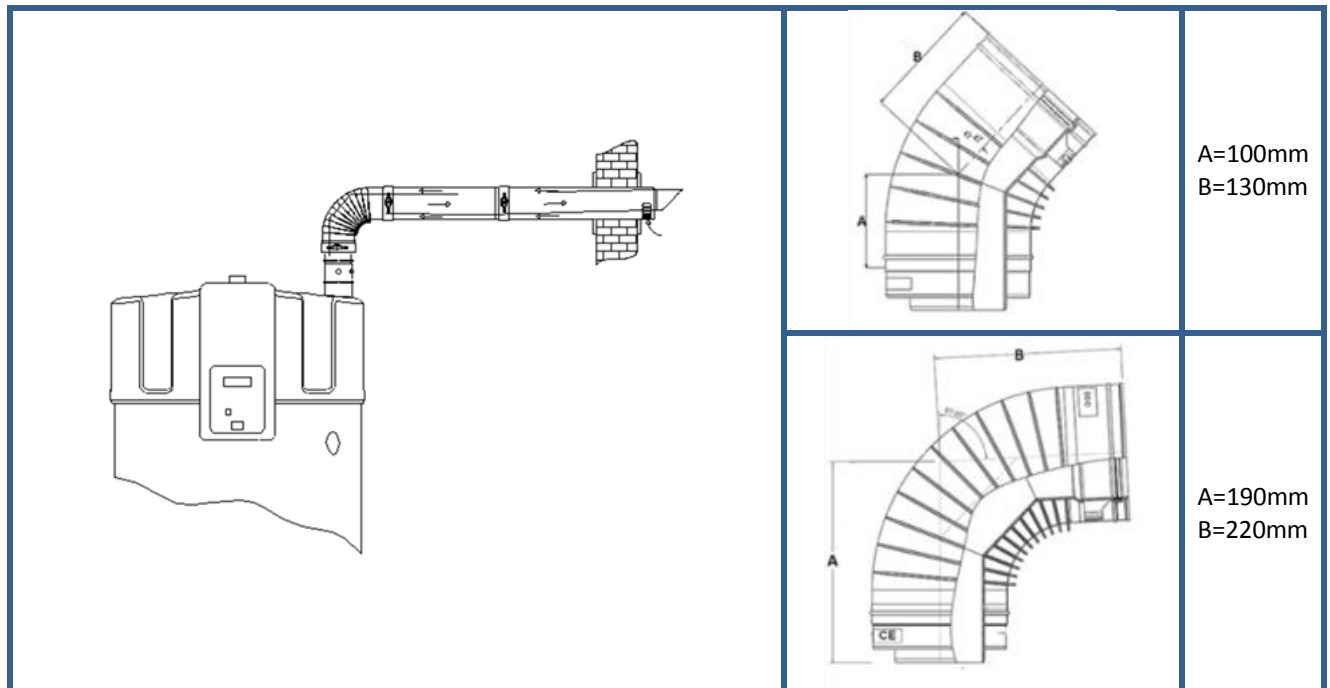
CONCENTRIC HORIZONTAL FLUE ASSEMBLY-MODELS

HWH87-480,HWH106-480,HWH129-480

COMPONENTS INCLUDED		
Item No.	Description	Included
LV302313	CONCENTRIC HORIZONTAL TERMINAL Ø130/200 ALU	1
LV302301	CONCENTRIC EXTENSION Ø130/200 (500mm) ALU CUT TO LENGTH	1
LV311456	CONCENTRIC BEND 90° Ø130/200 ALU	1

Maximum equivalent flue length =15 Metres

Maximum number of bends allowed =4



ADDITIONAL FLUE ANCILLARY ITEMS

Item No.	Description
LV303855	CONCENTRIC TEST POINT Ø130/200 ALU
LV302301	CONCENTRIC EXTENSION Ø130/200 (500mm) ALU CUT TO LENGTH
LV311452	CONCENTRIC EXTENSION Ø130/200mm (1000mm) ALU CUT TO LENGTH
LV302303	CONCENTRIC EXTENSION Ø130/200 (1500mm) ALU FIXED
LV311456	CONCENTRIC BEND 90° Ø130/200 ALU
LV311455	CONCENTRIC BEND 45° Ø130/200mm ALU
M87198	WALL CLAMP Ø200

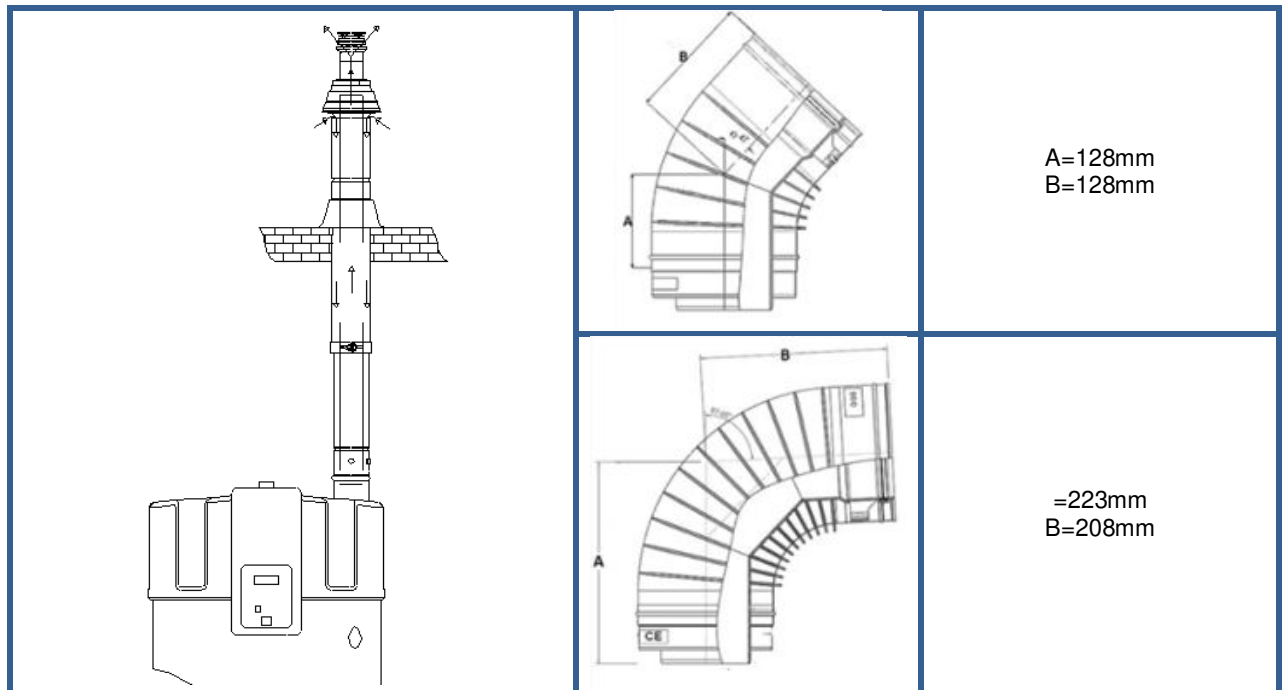
LV311463

CONCENTRIC VERTICAL FLUE ASSEMBLY-MODELS

HWH32-220,HWH33-370,HWHC44-370,HWH52-370,
HWH63-370,HWHC63-370

COMPONENTS INCLUDED		
Item No.	Description	Included
LV311458	CONCENTRIC VERTICAL TERMINAL Ø100/150 ALU	1
LV311450	CONCENTRIC EXTENSION Ø100/150mm (1000mm) ALU CUT TO LENGTH	1
LV302509	ROOF FLASHING (170mm) ALU	1

Maximum equivalent flue length =40 Metres
Maximum number of bends allowed =7



ADDITIONAL FLUE ANCILLARY ITEMS

Item No.	Description
LV303854	CONCENTRIC TEST POINT Ø100/150 ALU
LV302499	CONCENTRIC EXTENSION Ø100/150 (500mm) ALU CUT TO LENGTH
LV311450	CONCENTRIC EXTENSION Ø100/150mm (1000mm) ALU CUT TO LENGTH
LV311451	CONCENTRIC EXTENSION Ø100/150mm (1500mm) ALU CUT TO LENGTH
LV302502	CONCENTRIC BEND 90° Ø100/150 ALU
LV311454	CONCENTRIC BEND 45° Ø100/150mm ALU
M87196	WALL CLAMP Ø150
LV302509	ROOF FLASHING (170mm) ALU
LV306017	SLOPING ROOF FLASHING Ø100/150mm (25°-45°) LEAD

LV311464

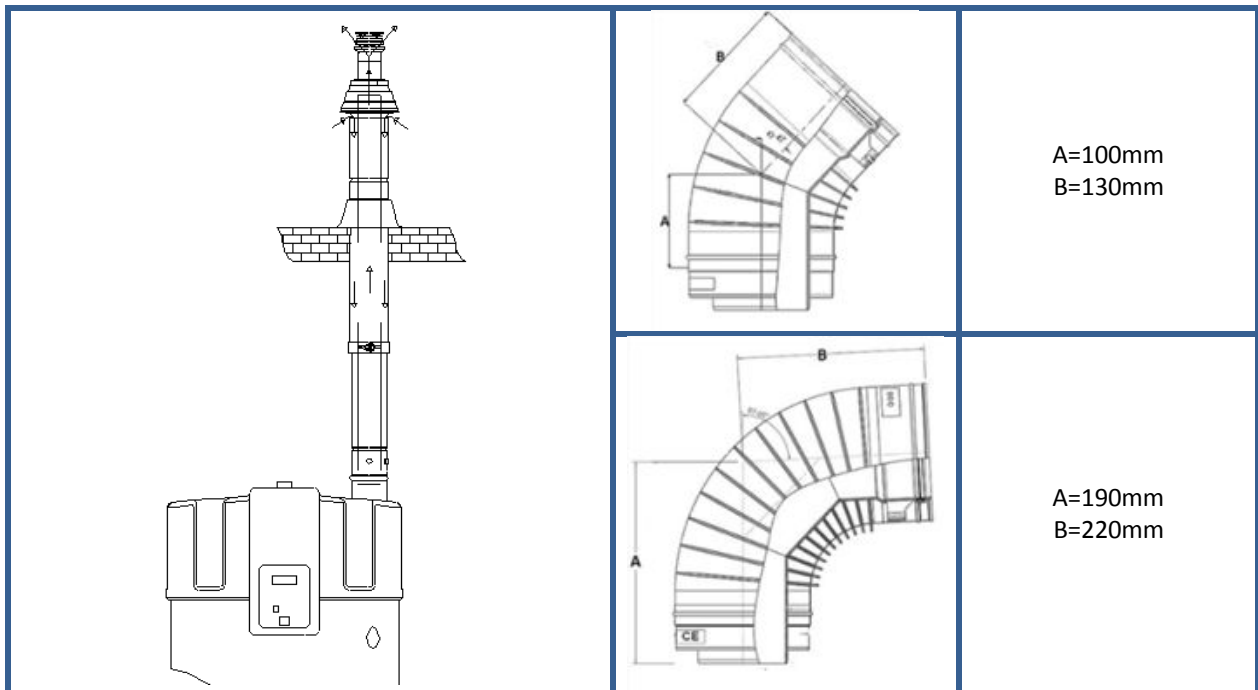
CONCENTRIC VERTICAL FLUE ASSEMBLY-MODELS

HWH87-480,HWH106-480,HWH129-480

COMPONENTS INCLUDED		
Item No.	Description	Included
LV306390	CONCENTRIC VERTICAL TERMINAL \varnothing 130/200 ALU	1
LV302301	CONCENTRIC EXTENSION \varnothing 130/200 (500mm) ALU CUT TO LENGTH	1
LV302328	FLAT ROOF FLASHING (210mm) ALU	1

Maximum equivalent flue length =15 Metres

Maximum number of bends allowed =4



ADDITIONAL FLUE ANCILLARY ITEMS

Item No.	Description
LV303855	CONCENTRIC TEST POINT \varnothing 130/200 ALU
LV302301	CONCENTRIC EXTENSION \varnothing 130/200 (500mm) ALU CUT TO LENGTH
LV311452	CONCENTRIC EXTENSION \varnothing 130/200mm (1000mm) ALU CUT TO LENGTH
LV302303	CONCENTRIC EXTENSION \varnothing 130/200 (1500mm) ALU FIXED
LV311456	CONCENTRIC BEND 90° \varnothing 130/200 ALU
LV311455	CONCENTRIC BEND 45° \varnothing 130/200mm ALU
M87198	WALL CLAMP \varnothing 200
LV302328	ROOF FLASHING (210mm) ALU

ECPH001

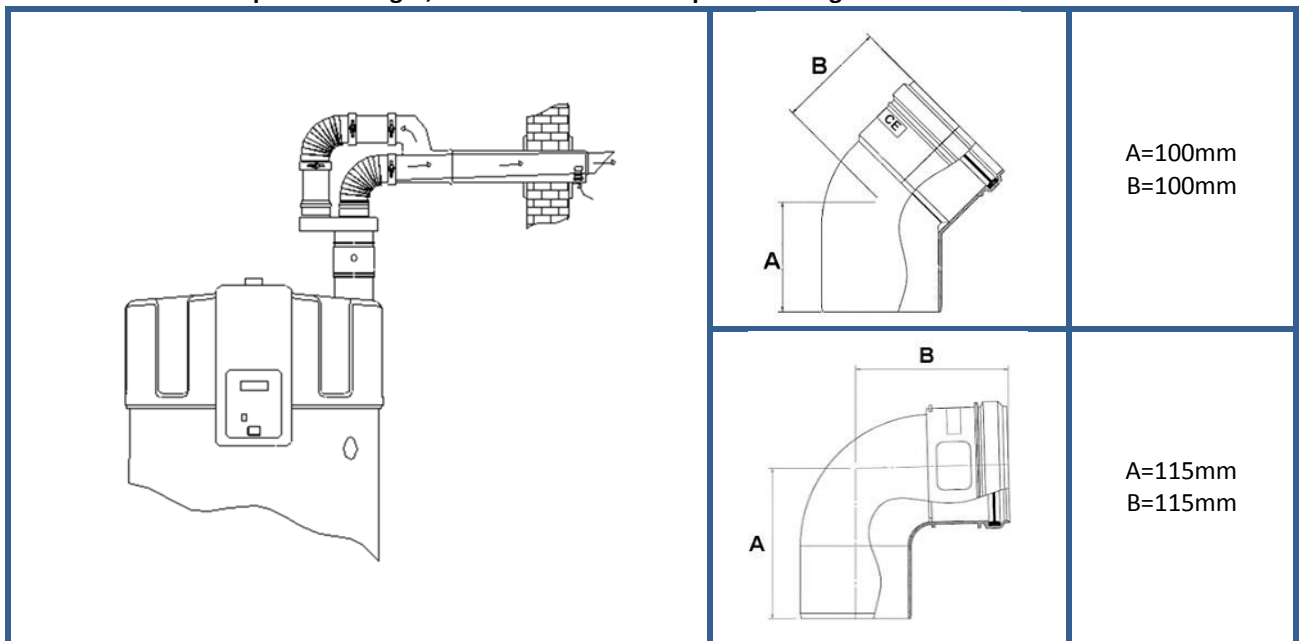
TWIN-PIPE HORIZONTAL FLUE ASSEMBLY WITH CONCENTRIC TERMINAL

MODELS HWH32-220,HWH33-370,HWHC44-370,HWH52-370,
HWH63-370,HWHC63-370

COMPONENTS INCLUDED		
Item No.	Description	Included
LV302505	CONCENTRIC HORIZONTAL TERMINAL \varnothing 100/150 ALU	1
LV307142	TWIN PIPE TO CONCENTRIC ADAPTOR \varnothing 100/100mm TO \varnothing 100/150mm ALU	1
LV307161	EXTENSION \varnothing 100mm(1000mm) ALU CUT TO LENGTH	2
LV307164	BEND 90° \varnothing 100mm ALU	2
LV304204	CONCENTRIC TO TWIN PIPE ADAPTOR \varnothing 100/150mm TO \varnothing 100/100mm ALU	1

Maximum equivalent flue length =55 Metres

Bend 90° =4.6metre equivalent length, Bend 45° = 1.2metre equivalent length



ADDITIONAL FLUE ANCILLARY ITEMS

Item No.	Description
LV307160	EXTENSION \varnothing 100mm(500mm) ALU CUT TO LENGTH
LV307161	EXTENSION \varnothing 100mm(1000mm) ALU CUT TO LENGTH
LV307164	BEND 90° \varnothing 100mm ALU
LV310197	BEND 45° \varnothing 100mm ALU
M87193	WALL CLAMP \varnothing 100mm

ECPH002

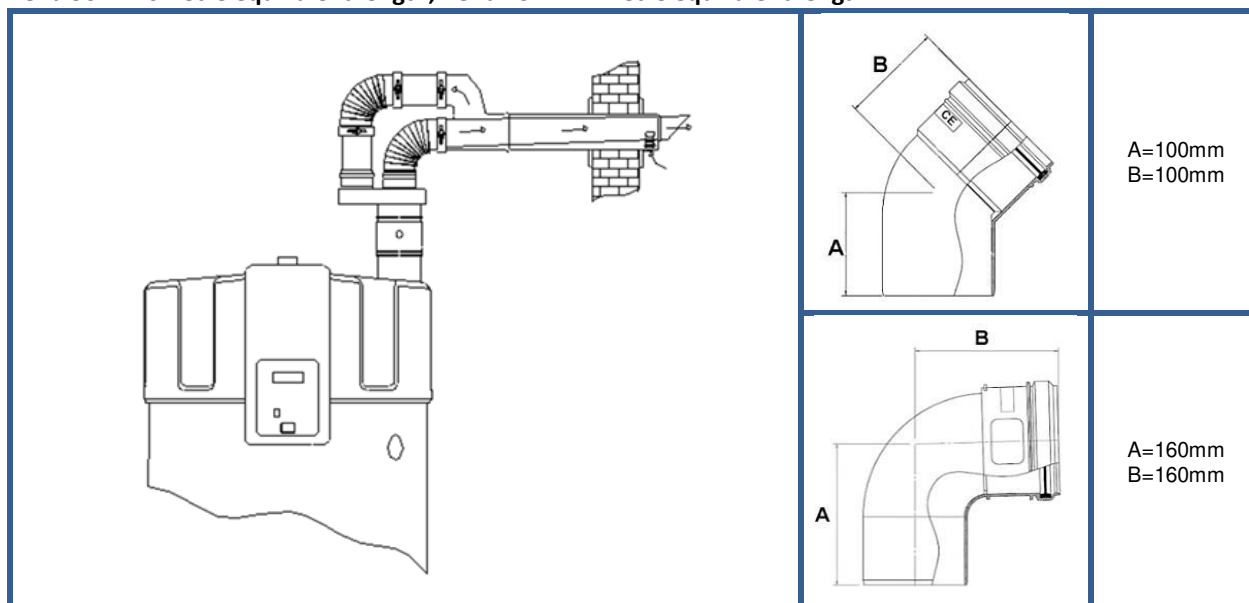
TWIN-PIPE HORIZONTAL FLUE ASSEMBLY WITH CONCENTRIC TERMINAL

MODELS HWH87-480,HWH106-480,HWH129-480

COMPONENTS INCLUDED		
Item No.	Description	Included
LV306803	CONCENTRIC HORIZONTAL TERMINAL \varnothing 130/200mm ALU	1
LV306801	TWIN PIPE TO CONCENTRIC ADAPTOR \varnothing 130/130mm TO \varnothing 130/200mm ALU	1
LV306804	EXTENSION \varnothing 130mm(500mm) ALU CUT TO LENGTH	2
LV306805	BEND 90° \varnothing 130mm ALU	2
LV309605	CONCENTRIC TO TWIN PIPE ADAPTOR \varnothing 130/200mm TO \varnothing 130/130mm ALU	1

Maximum equivalent flue length =65 Metres

Bend 90° =4.6metre equivalent length, Bend 45° = 1.2metre equivalent length



ADDITIONAL FLUE ANCILLARY ITEMS

Item No.	Description
LV306804	EXTENSION \varnothing 130mm(500mm) ALU CUT TO LENGTH
LV306802	EXTENSION \varnothing 130mm(1000mm) ALU CUT TO LENGTH
LV306805	BEND 90° \varnothing 130mm ALU
LV308026	BEND 45° \varnothing 130mm ALU
M87196	WALL CLAMP \varnothing 150

ECPH003

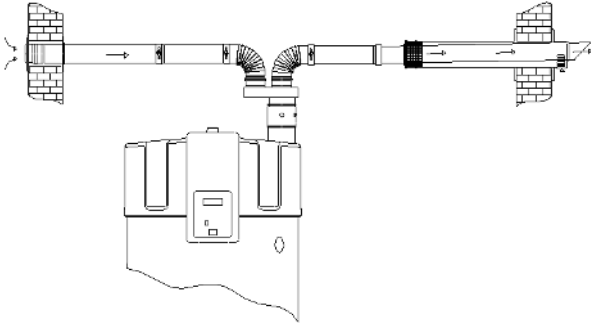
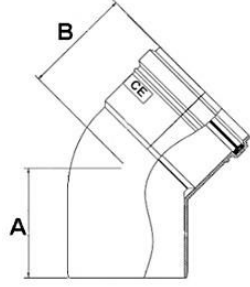
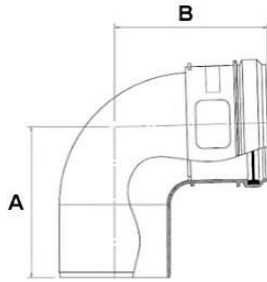
TWIN-PIPE HORIZONTAL FLUE ASSEMBLY-MODELS

HWH32-220,HWH33-370,HWHC44-370,HWH52-370,
HWH63-370,HWHC63-370

COMPONENTS INCLUDED		
Item No.	Description	Included
LV302505	CONCENTRIC HORIZONTAL TERMINAL Ø100/150 ALU	1
LV307161	EXTENSION Ø100mm(1000mm) ALU CUT TO LENGTH	2
LV305039	HORIZONTAL TERMINAL Ø100mm ALU	1
LV307164	BEND 90° Ø100mm ALU	2
LV304204	CONCENTRIC TO TWIN PIPE ADAPTOR Ø100/150mm TO Ø100/100mm ALU	1

Maximum equivalent flue length =55 Metres

Bend 90° =4.6metre equivalent length, Bend 45° = 1.2metre equivalent length

		<p>A=100mm B=100mm</p>
		<p>A=115mm B=115mm</p>

ADDITIONAL FLUE ANCILLARY ITEMS

Item No.	Description
LV307160	EXTENSION Ø100mm(500mm) ALU CUT TO LENGTH
LV307161	EXTENSION Ø100mm(1000mm) ALU CUT TO LENGTH
LV307164	BEND 90° Ø100mm ALU
LV310197	BEND 45° Ø100mm ALU
M87193	WALL CLAMP Ø100mm

ECPH004

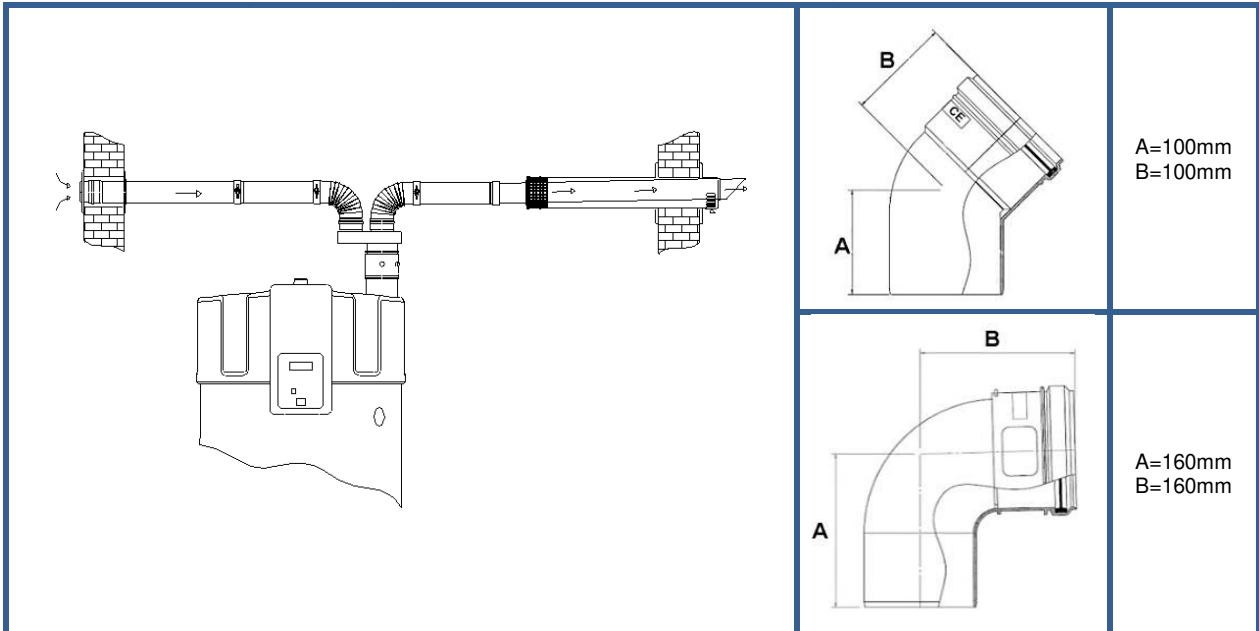
TWIN-PIPE HORIZONTAL FLUE ASSEMBLY-MODELS

HWH87-480,HWH106-480,HWH129-480

COMPONENTS INCLUDED		
Item No.	Description	Included
LV302313	CONCENTRIC HORIZONTAL TERMINAL Ø130/200 ALU	1
LV306804	EXTENSION Ø130mm(500mm) ALU CUT TO LENGTH	2
LV307178	HORIZONTAL TERMINAL Ø130mm ALU	1
LV306805	BEND 90° Ø130mm ALU	2
LV309605	CONCENTRIC TO TWIN PIPE ADAPTOR Ø130/200mm TO Ø130/130mm ALU	1

Maximum equivalent flue length =65 Metres

Bend 90° =2.4metre equivalent length, Bend 45° = 1.4metre equivalent length



ADDITIONAL FLUE ANCILLARY ITEMS

Item No.	Description
LV306804	EXTENSION Ø130mm(500mm) ALU CUT TO LENGTH
LV306802	EXTENSION Ø130mm(1000mm) ALU CUT TO LENGTH
LV306805	BEND 90° Ø130mm ALU
LV308026	BEND 45° Ø130mm ALU

ECPV001

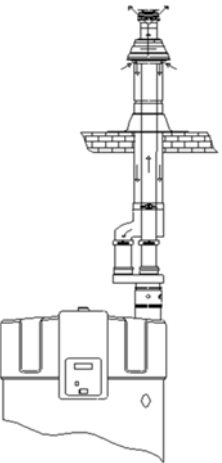
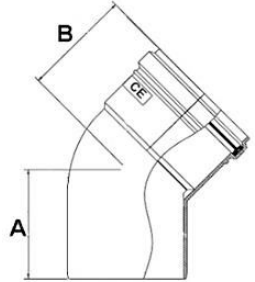
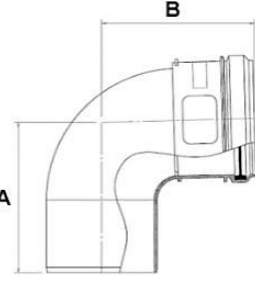
TWIN-PIPE VERTICAL FLUE ASSEMBLY WITH CONCENTRIC TERMINAL

MODELS HWH32-220,HWH33-370,HWHC44-370,HWH52-370,
HWH63-370,HWHC63-370

COMPONENTS INCLUDED		
Item No.	Description	Included
LV311458	CONCENTRIC VERTICAL TERMINAL Ø100/150 ALU	1
LV307142	TWIN PIPE TO CONCENTRIC ADAPTOR Ø100/100mm TO Ø100/150mm ALU	1
LV307160	EXTENSION Ø100mm(500mm) ALU CUT TO LENGTH	2
LV304204	CONCENTRIC TO TWIN PIPE ADAPTOR Ø100/150mm TO Ø100/100mm ALU	1

Maximum equivalent flue length =55 Metres

Bend 90° =4.6metre equivalent length, Bend 45° = 1.2metre equivalent length

		<p>A=100mm B=100mm</p>
		<p>A=115mm B=115mm</p>

ADDITIONAL FLUE ANCILLARY ITEMS

Item No.	Description
LV307160	EXTENSION Ø100mm(500mm) ALU CUT TO LENGTH
LV307161	EXTENSION Ø100mm(1000mm) ALU CUT TO LENGTH
LV307164	BEND 90° Ø100mm ALU
LV310197	BEND 45° Ø100mm ALU
LV302520	ROOF FLASHING (140mm) ALU
M87193	WALL CLAMP Ø100mm

ECPV002

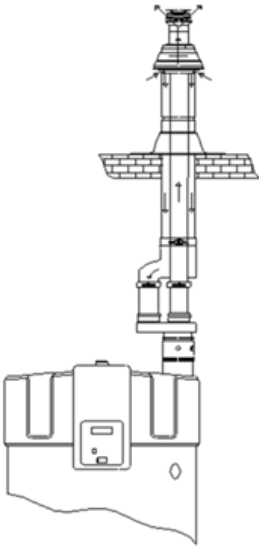
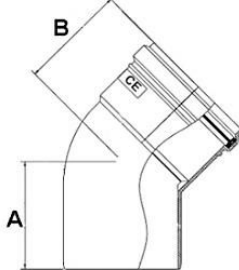
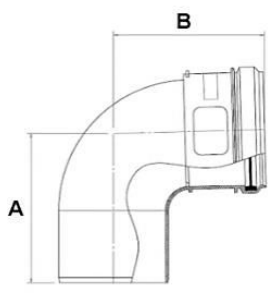
TWIN-PIPE VERTICAL FLUE ASSEMBLY WITH CONCENTRIC TERMINAL

MODELS HWH87-480,HWH106-480,HWH129-480

COMPONENTS INCLUDED		
Item No.	Description	Included
LV306800	CONCENTRIC VERTICAL TERMINAL \varnothing 130/200 ALU	1
LV306801	TWIN PIPE TO CONCENTRIC ADAPTOR \varnothing 130/130mm TO \varnothing 130/200mm ALU	1
LV306804	EXTENSION \varnothing 130mm(500mm) ALU CUT TO LENGTH	2
LV309605	CONCENTRIC TO TWIN PIPE ADAPTOR \varnothing 130/200mm TO \varnothing 130/130mm ALU	1

Maximum equivalent flue length =65 Metres

Bend 90° =2.4metre equivalent length, Bend 45° = 1.4metre equivalent length

		<p>A=100mm B=100mm</p>
		<p>A=160mm B=160mm</p>

ADDITIONAL FLUE ANCILLARY ITEMS

Item No.	Description
LV306804	EXTENSION \varnothing 130mm(500mm) ALU CUT TO LENGTH
LV306802	EXTENSION \varnothing 130mm(1000mm) ALU CUT TO LENGTH
LV306805	BEND 90° \varnothing 130mm ALU
LV308026	BEND 45° \varnothing 130mm ALU
LV302520	ROOF FLASHING (140mm) ALU
M87193	WALL CLAMP \varnothing 100mm

ECPV003

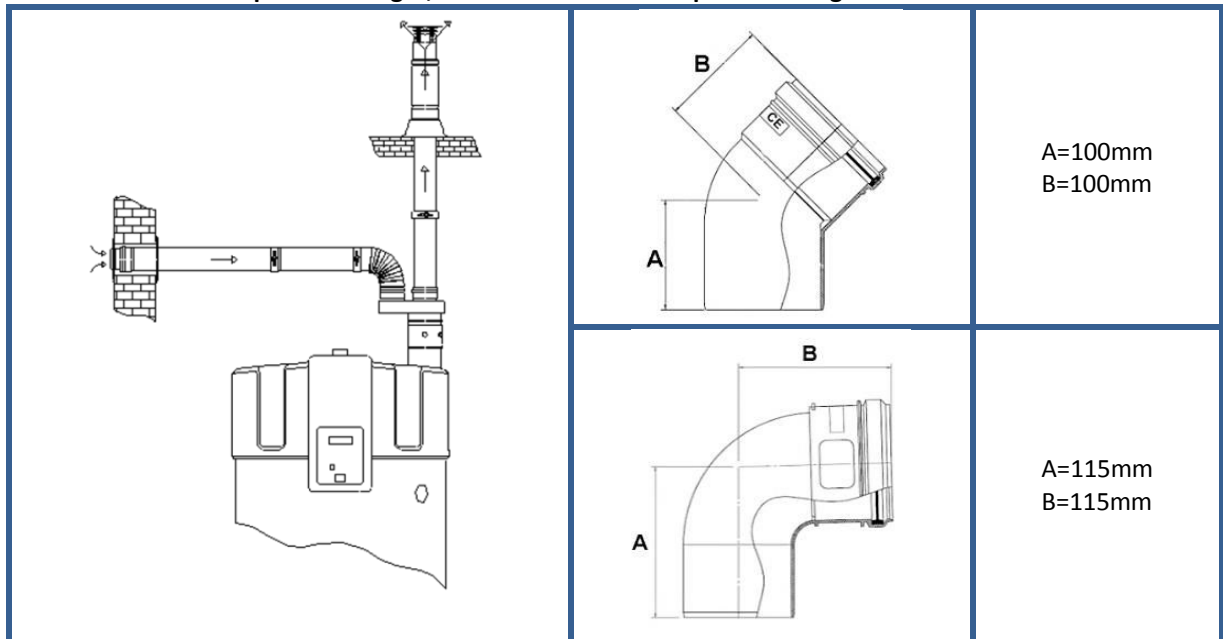
TWIN-PIPE VERTICAL FLUE ASSEMBLY-MODELS

**HWH32-220,HWH33-370,HWHC44-370,HWH52-370,
HWH63-370,HWHC63-370**

COMPONENTS INCLUDED		
Item No.	Description	Included
LV305040	VERTICAL TERMINAL Ø100mm ALU	1
LV305039	HORIZONTAL TERMINAL Ø100mm ALU	1
LV307160	EXTENSION Ø100mm(500mm) ALU CUT TO LENGTH	2
LV307164	BEND 90° Ø100mm ALU A=115mm,B=115mm	1
LV310197	BEND 45° Ø100mm ALU A=100mm,B=100mm	1
LV304204	CONCENTRIC TO TWIN PIPE ADAPTOR Ø100/150mm TO Ø100/100mm ALU	1

Maximum equivalent flue length =55 Metres

Bend 90° =4.6metre equivalent length, Bend 45° = 1.2metre equivalent length



ADDITIONAL FLUE ANCILLARY ITEMS

Item No.	Description
LV307160	EXTENSION Ø100mm(500mm) ALU CUT TO LENGTH
LV307161	EXTENSION Ø100mm(1000mm) ALU CUT TO LENGTH
LV307164	BEND 90° Ø100mm ALU
LV310197	BEND 45° Ø100mm ALU
LV302520	ROOF FLASHING (140mm) ALU
M87193	WALL CLAMP Ø100mm

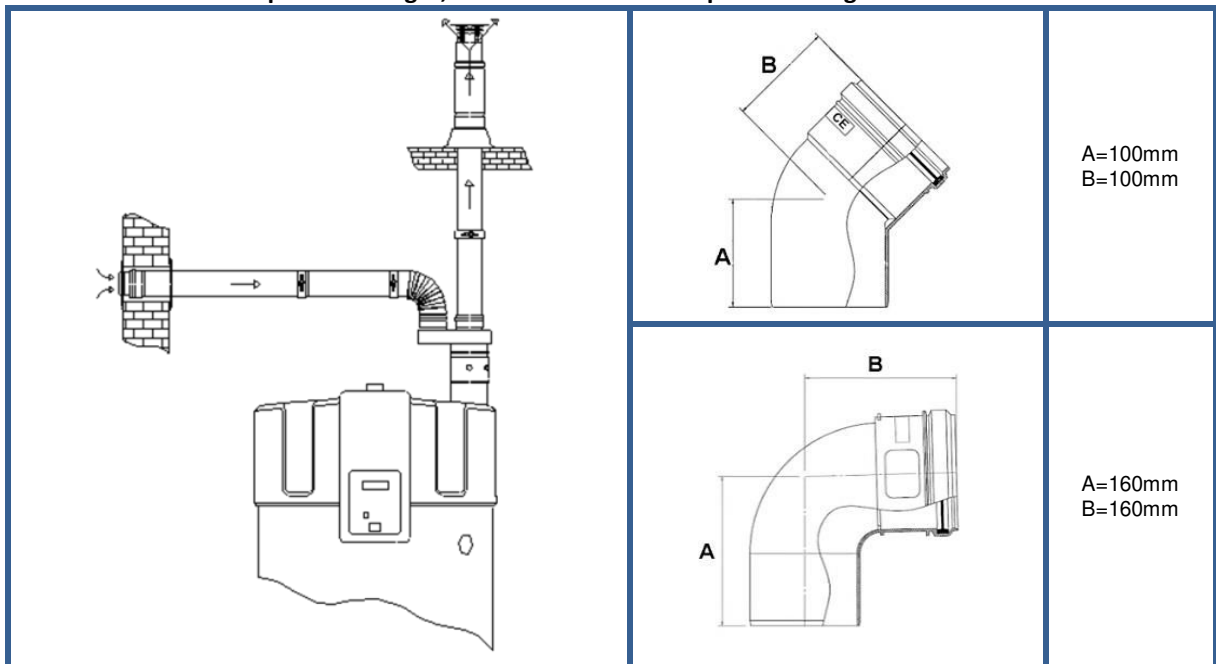
ECPV004

TWIN-PIPE VERTICAL FLUE ASSEMBLY-MODELS HWH87-480, HWH106-480, HWH129-480

COMPONENTS INCLUDED		
Item No.	Description	Included
LV307175	VERTICAL TERMINAL Ø130mm ALU	1
LV306804	EXTENSION Ø130mm(500mm) ALU CUT TO LENGTH	2
LV307178	HORIZONTAL TERMINAL Ø130mm ALU	1
LV306805	BEND 90° Ø130mm ALU	1
LV309605	CONCENTRIC TO TWIN PIPE ADAPTOR Ø130/200mm TO Ø130/130mm ALU	1

Maximum equivalent flue length =65 Metres

Bend 90° =2.4metre equivalent length, Bend 45° = 1.4metre equivalent length



ADDITIONAL FLUE ANCILLARY ITEMS

Item No.	Description
LV306804	EXTENSION Ø130mm(500mm) ALU CUT TO LENGTH
LV306802	EXTENSION Ø130mm(1000mm) ALU CUT TO LENGTH
LV306805	BEND 90° Ø130mm ALU
LV308026	BEND 45° Ø130mm ALU
LV302520	ROOF FLASHING (140mm) ALU
M87195	WALL CLAMP Ø130mm

ECCV001

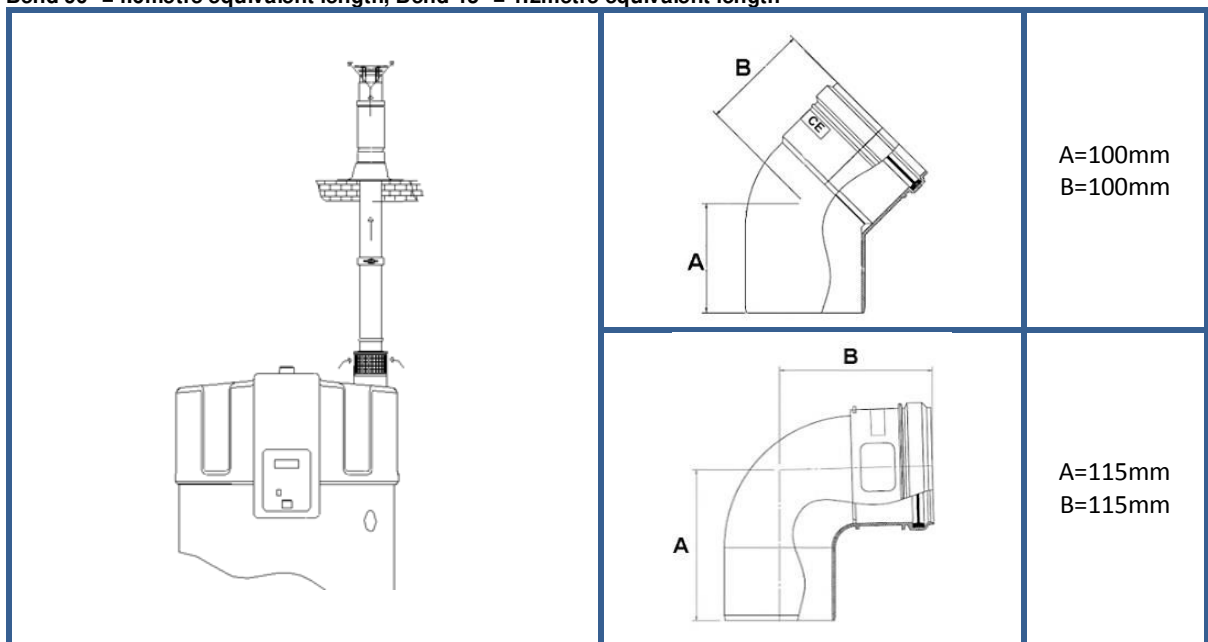
CONVENTIONAL VERTICAL FLUE ASSEMBLY-MODELS

HWH32-220,HWH33-370,HWHC44-370,HWH52-370,
HWH63-370,HWHC63-370

COMPONENTS INCLUDED		
Item No.	Description	Included
LV305040	VERTICAL TERMINAL Ø100mm ALU	1
LV307160	EXTENSION Ø100mm(500mm) ALU CUT TO LENGTH	2
LV304872	APPLIANCE AIR INTAKE GUARD Ø100	1

Maximum equivalent flue length =55 Metres

Bend 90° =4.6metre equivalent length, Bend 45° = 1.2metre equivalent length



ADDITIONAL FLUE ANCILLARY ITEMS

Item No.	Description
LV307160	EXTENSION Ø100mm(500mm) ALU CUT TO LENGTH
LV307161	EXTENSION Ø100mm(1000mm) ALU CUT TO LENGTH
LV307164	BEND 90° Ø100mm ALU
LV310197	BEND 45° Ø100mm ALU
LV302520	ROOF FLASHING (140mm) ALU
M87193	WALL CLAMP Ø100mm

ECCV002

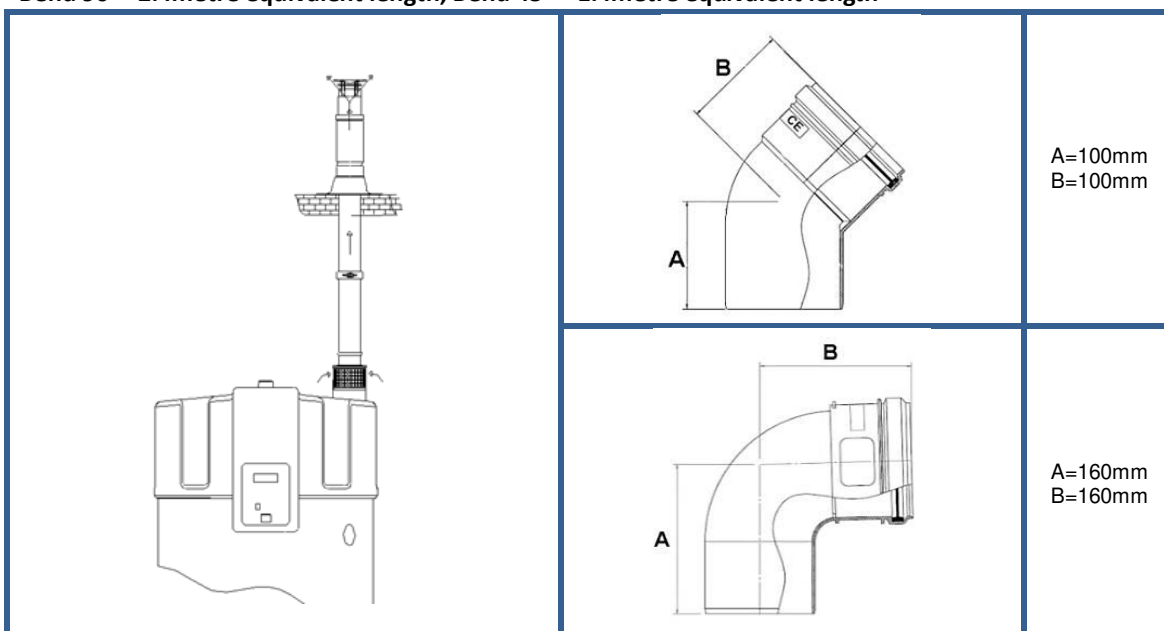
CONVENTIONAL VERTICAL FLUE ASSEMBLY-MODELS

HWH87-480,HWH106-480,HWH129-480

COMPONENTS INCLUDED		
Item No.	Description	Included
LV307175	VERTICAL TERMINAL Ø130mm ALU	1
LV306804	EXTENSION Ø130mm(500mm) ALU CUT TO LENGTH	2
LV307176	APPLIANCE AIR INTAKE GUARD Ø130mm ALU	1

Maximum equivalent flue length =65 Metres

Bend 90° =2.4metre equivalent length, Bend 45° = 1.4metre equivalent length



ADDITIONAL FLUE ANCILLARY ITEMS

Item No.	Description
LV306804	EXTENSION Ø130mm(500mm) ALU CUT TO LENGTH
LV306802	EXTENSION Ø130mm(1000mm) ALU CUT TO LENGTH
LV306805	BEND 90° Ø130mm ALU
LV308026	BEND 45° Ø130mm ALU
LV302520	ROOF FLASHING (140mm) ALU
M87195	WALL CLAMP Ø130mm



IMPORTANT INFORMATION

These instructions must be read and understood before installing, commissioning, operating or maintaining the equipment.

