

EcoShield Flue Assemblies and Ancillaries

For use with Models:

SHW35-245

SHW46-325

SHW61-325

SHW86-410

SHW116-410

SHW146-410



Lochinvar[®]
HIGH EFFICIENCY BOILERS & WATER HEATERS

Contents

	Page No.
Horizontal Concentric flue assembly SHW35-245,SHW46-325,SHW61-325	3
Horizontal Concentric flue assembly SHW86-410,SHW116-410,SHW146-410	4
Vertical Concentric flue assembly SHW35-245,SHW46-325,SHW61-325	5
Vertical Concentric flue assembly SHW86-410,SHW116-410,SHW146-410	6
Twin-Pipe flue system SHW35-245,SHW46-325,SHW61-325	7
Twin-Pipe flue system SHW86-410,SHW116-410,SHW146-410	8
Conventional flue system SHW35-245,SHW46-325,SHW61-325	9
Conventional flue system SHW86-410,SHW116-410,SHW146-410	10

Item number SHHF003

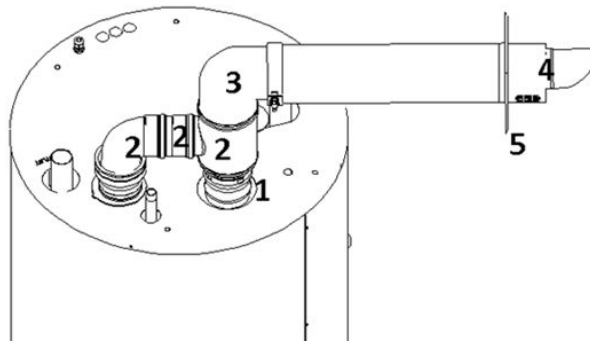
CONCENTRIC HORIZONTAL FLUE ASSEMBLY- MODELS SHW35-245,SHW46-325,SHW61-325

COMPONENTS

Item No.	Description	No on drawing	Quantity
M75256	AIR INLET TRANSITION Ø80mm ALU	1	1
M121602	TWIN PIPE TO CONCENTRIC ADAPTOR Ø80/80mm TO Ø80/125mm PP	2	1
M84471	SAMPLING POINT Ø80/125mm PP	2	1
M84460	CONCENTRIC BEND 90° Ø80/125mm PP	3	1
M86934	CONCENTRIC HORIZONTAL TERM Ø80/125mm PP (NO WALL PLATES)	4	1
M28925	TERMINAL WALL PLATES (PAIR)	5	1

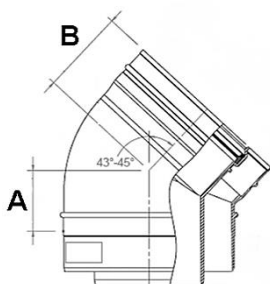
Maximum equivalent flue length =30 Metres

Reduction for each 90 bend =1 Metre, Reduction for each 45 bend = 0.5 Metre

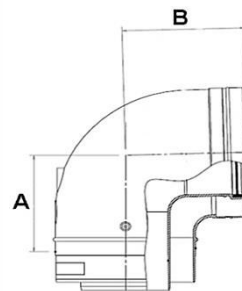


Additional Flue Ancillary Items

Item No.	Description	Dimensions
LV310740	CONCENTRIC EXTENSION Ø80/125mm PP FIXED	250mm
LV310741	CONCENTRIC EXTENSION Ø80/125mm PP FIXED	500mm
M84452	CONCENTRIC EXTENSION Ø80/125mm PP FIXED	1000mm
LV310743	CONCENTRIC EXTENSION Ø80/125mm PP FIXED	2000mm
LV310744	CONCENTRIC EXTENSION Ø80/125mm PP TELESCOPIC	280 to 395mm
M84455	CONCENTRIC EXTENSION Ø80/125mm PP CUT TO LENGTH	100 to 450mm
M84461	CONCENTRIC BEND 45° Ø80/125mm PP	See drawing below
M84460	CONCENTRIC BEND 90° Ø80/125mm PP	See drawing below
M87195	WALL CLAMP Ø130	n/a



A=45mm
B=62.5mm



A=95mm
B=110mm

For further information, see Installation manual available at www.lochinvar.ltd.uk

SHHF004

CONCENTRIC HORIZONTAL FLUE ASSEMBLY- MODELS SHW86-410,SHW116-410,SHW146-410

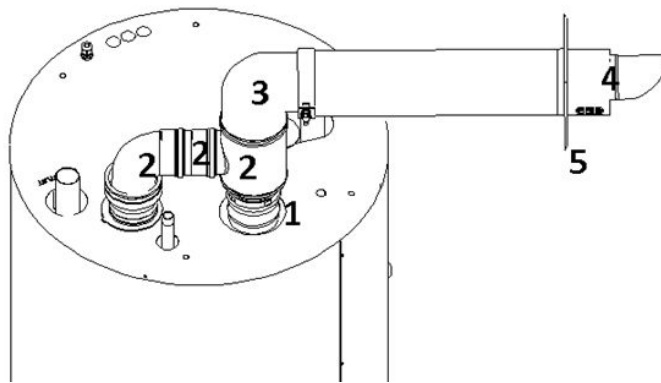
COMPONENTS

Item No.	Description	No on drawing	Quantity
M75257	AIR INLET TRANSITION Ø100mm ALU	1	1
M121605	TWIN PIPE TO CONCENTRIC ADAPTOR Ø100/100mm TO Ø100/150mm PP	2	1
M84421	SAMPLING POINT Ø100/150mm PP	2	1
M84412	CONCENTRIC BEND 90° Ø100/150mm PP	6	1
LV310758	CONCENTRIC HORIZONTAL TERMINAL Ø100/150mm PP	4& 5	1

Maximum equivalent flue length =30 Metres for models SHW86-410,SHW116-410

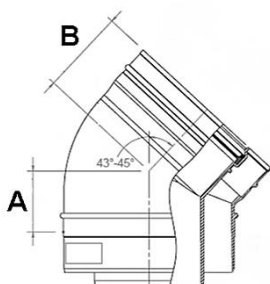
Maximum equivalent flue length =13 Metres for models SHW146-410

Reduction for each 90 bend =1 Metre, Reduction for each 45 bend = 0.5 Metre

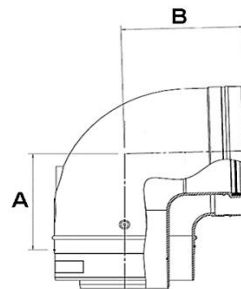


Additional Flue Ancillary Items

Item No.	Description	Dimensions
M84405	CONCENTRIC EXTENSION Ø100/150 PP CUT TO LENGTH	500mm
M84402	CONCENTRIC EXTENSION Ø100/150 PP FIXED	1000mm
M84412	CONCENTRIC BEND 90° Ø100/150mm PP	See drawing below
M84413	CONCENTRIC BEND 45° Ø100/150mm PP	See drawing below
M84421	SAMPLING POINT Ø100/150mm PP	115mm
M87196	WALL CLAMP Ø150mm	n/a



A=128mm
B=128mm



A=223mm
B=208mm

For further information, see Installation manual available at www.lochinvar.ltd.uk

Item number SHVF003

CONCENTRIC VERTICAL FLUE ASSEMBLY-MODELS

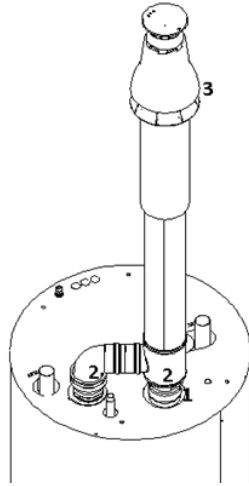
SHW35-245,SHW46-325,SHW61-325

COMPONENTS

Item No.	Description	No on drawing	Quantity
M75256	AIR INLET TRANSITION Ø80mm ALU	1	1
M121602	TWIN PIPE TO CONCENTRIC ADAPTOR Ø80/80mm TO Ø80/125mm PP	2	1
M84471	SAMPLING POINT Ø80/125mm PP	2	1
M86864	CONCENTRIC VERTICAL TERMINAL Ø80/125mm PP	3	1

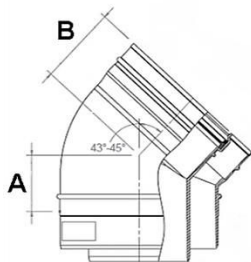
Maximum equivalent flue length =30 Metres

Reduction for each 90 bend =1 Metre, Reduction for each 45 bend = 0.5 Metre

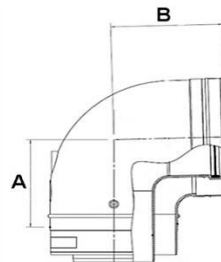


Additional Flue Ancillary Items

Item No.	Description	Dimensions
LV310740	CONCENTRIC EXTENSION Ø80/125mm PP FIXED	250mm
LV310741	CONCENTRIC EXTENSION Ø80/125mm PP FIXED	500mm
M84452	CONCENTRIC EXTENSION Ø80/125mm PP FIXED	1000mm
LV310743	CONCENTRIC EXTENSION Ø80/125mm PP FIXED	2000mm
LV310744	CONCENTRIC EXTENSION Ø80/125mm PP TELESCOPIC	280 to 395mm
M84455	CONCENTRIC EXTENSION Ø80/125mm PP CUT TO LENGTH	100 to 450mm
M84461	CONCENTRIC BEND 45° Ø80/125mm PP	See drawing below
M84460	CONCENTRIC BEND 90° Ø80/125mm PP	See drawing below
M87195	WALL CLAMP Ø130	n/a



A=45mm
B=62.5mm



A=95mm
B=110mm

For further information, see Installation manual available at www.lochinvar.ltd.uk

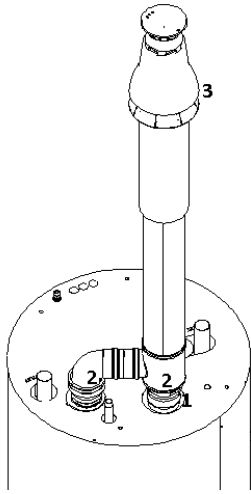
Item number SHVF004

CONCENTRIC VERTICAL FLUE ASSEMBLY-MODELS

SHW86-410,SHW116-410,SHW146-410

COMPONENTS

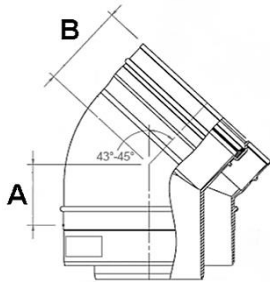
Item No.	Description	No on drawing	Quantity
M75257	AIR INLET TRANSITION Ø100mm ALU	1	1
M121605	TWIN PIPE TO CONCENTRIC ADAPTOR Ø100/100mm TO Ø100/150mm P	2	1
M84421	SAMPLING POINT Ø100/150mm PP	2	1
LV310754	CONCENTRIC VERTICAL TERMINAL Ø100/150mm PP	3	1



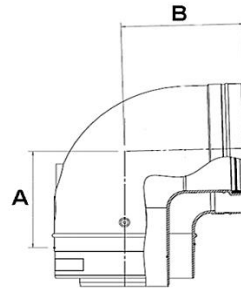
Maximum equivalent flue length =30 Metres for models SHW86-410,SHW116-410
 Maximum equivalent flue length =13 Metres for models SHW146-410
 Reduction for each 90 bend =1 Metre, Reduction for each 45 bend = 0.5 Metre

Additional Flue Ancillary Items

Item No.	Description	Dimensions
M84405	CONCENTRIC EXTENSION Ø100/150 PP CUT TO LENGTH	500mm
M84402	CONCENTRIC EXTENSION Ø100/150 PP FIXED	1000mm
M84412	CONCENTRIC BEND 90° Ø100/150mm PP	See below
M84413	CONCENTRIC BEND 45° Ø100/150mm PP	See below
LV306017	SLOPING ROOF FLASHING Ø100/150mm (25°-45°) LEAD	n/a
LV302509	ROOF FLASHING (170mm) ALU	n/a
M87196	WALL CLAMP Ø150mm	n/a



A=128mm
B=128mm



A=223mm
B=208mm

For further information, see Installation manual available at www.lochinvar.ltd.uk

SHTF003

TWIN-PIPE FLUE ASSEMBLY MODELS SHW35-245,SHW46-325,SHW61-325

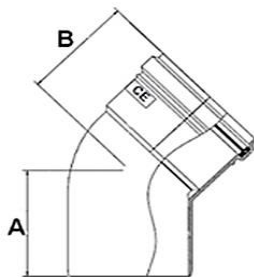
COMPONENTS REQUIRED TO START INSTALLATION

Item No.	Description	Included
M75256	AIR INLET TRANSITION \varnothing 80mm ALU	1
M85279	SAMPLING POINT \varnothing 80mm PP	1
VERTICAL FLUE		
M86864	CONCENTRIC VERTICAL TERMINAL \varnothing 80/125mm PP	
LV305016	HORIZONTAL AIR INLET \varnothing 80mm	
HORIZONTAL FLUE		
M86934	CONCENTRIC HORIZONTAL TERMINAL \varnothing 80/125mm PP (NO WALL PLATES)	
LV305016	HORIZONTAL AIR INLET \varnothing 80mm	
M28925	TERMINAL WALL PLATES (PAIR)	

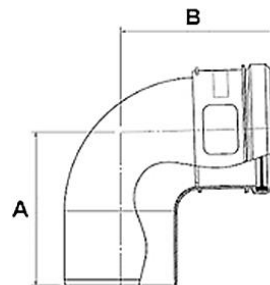
Maximum equivalent flue length =60 Metres

Reduction for each 90 bend =1 Metre, Reduction for each 45 bend = 0.5 Metre

ADDITIONAL FLUE ANCILLARY ITEMS		
Item No.	Description	Dimensions
LV310718	EXTENSION - \varnothing 80mm PP CUT TO LENGTH	250mm
M85271	EXTENSION \varnothing 80mm PP CUT TO LENGTH	500mm
M85272	EXTENSION \varnothing 80mm PP CUT TO LENGTH	1000mm
LV310721	EXTENSION - \varnothing 80mm PP CUT TO LENGTH	2000mm
LV310722	EXTENSION - \varnothing 80mm PP TELESCOPIC	240-360mm
M85292	BEND 45° 80mm PP	See below
M85291	BEND 90° 80mm PP	See below
M87191	WALL CLAMP \varnothing 80mm	n/a
M87376	FLAT ROOF FLASHING \varnothing 80/125mm	n/a



A=72.5mm,
B=72.5mm



A=80mm,
B=100mm

For further information, see Installation manual available at www.lochinvar.ltd.uk

SHTF004

TWIN-PIPE FLUE ASSEMBLY MODELS SHW86-410,SHW116-410,SHW146-410

COMPONENTS REQUIRED TO START INSTALLATION

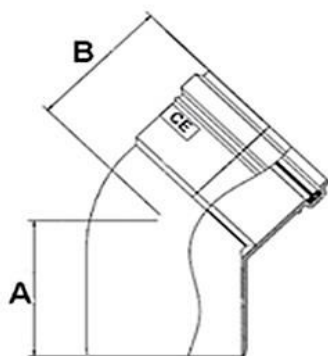
Item No.	Description	Included
M75257	AIR INLET TRANSITION Ø100mm ALU	1
M85189	SAMPLING POINT Ø100mm PP	1
VERTICAL FLUE		
LV310754	CONCENTRIC VERTICAL TERMINAL Ø100/150mm PP	
LV305039	HORIZONTAL AIR INLET Ø100mm ALU	
HORIZONTAL FLUE		
M86934	CONCENTRIC HORIZONTAL TERMINAL Ø80/125mm PP (NO WALL PLATES)	
LV305039	HORIZONTAL AIR INLET Ø100mm ALU	
M28925	TERMINAL WALL PLATES (PAIR)	

Maximum equivalent flue length =60 Metres

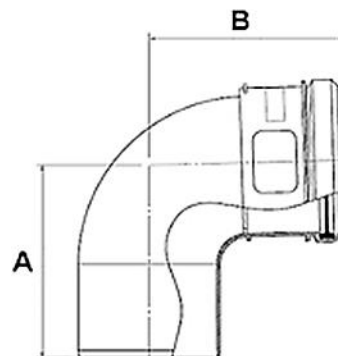
Reduction for each 90 bend =1 Metre, Reduction for each 45 bend = 0.5 Metre

ADDITIONAL FLUE ANCILLARY ITEMS

Item No.	Description	Dimensions
M85176	EXTENSION Ø100mm PP CUT TO LENGTH	500mm
M85177	EXTENSION Ø100mm PP CUT TO LENGTH	1000mm
M85181	BEND 90° 100mm PP	See below
M85182	BEND 45° 100mm PP	See below
M87193	WALL BAND (100mm)	n/a



A=78mm,B=65mm



A=115mm,
B=115mm

For further information, see Installation manual available at www.lochinvar.ltd.uk

SHCF003

CONVENTIONAL FLUE ASSEMBLY MODELS

SHW35-245,SHW46-325,SHW61-325

COMPONENTS REQUIRED TO START INSTALLATION

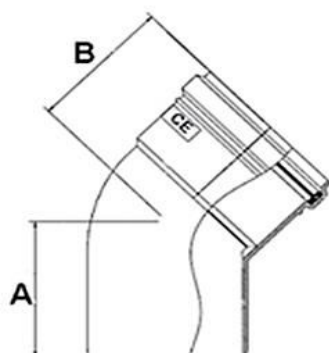
Item No.	Description	Included
M75256	AIR INLET TRANSITION Ø80mm ALU	1
M85279	SAMPLING POINT Ø80mm PP	1
M73039	AIR INLET GRILLE Ø80mm ALU	1
VERTICAL FLUE		
M86864	CONCENTRIC VERTICAL TERMINAL Ø80/125mm PP	
HORIZONTAL FLUE		
M86934	CONCENTRIC HORIZONTAL TERMINAL Ø80/125mm PP (NO WALL PLATES)	
M28925	TERMINAL WALL PLATES (PAIR)	

Maximum equivalent flue length =60 Metres

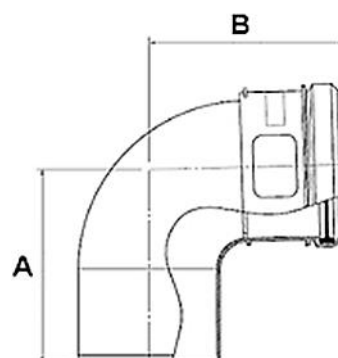
Reduction for each 90 bend =1 Metre, Reduction for each 45 bend = 0.5 Metre

ADDITIONAL FLUE ANCILLARY ITEMS

Item No.	Description	Dimensions
LV310718	EXTENSION - Ø80mm PP CUT TO LENGTH	250mm
M85271	EXTENSION Ø80mm PP CUT TO LENGTH	500mm
M85272	EXTENSION Ø80mm PP CUT TO LENGTH	1000mm
LV310721	EXTENSION - Ø80mm PP CUT TO LENGTH	2000mm
LV310722	EXTENSION - Ø80mm PP TELESCOPIC	240-360mm
M85292	BEND 45° 80mm PP	See below
M85291	BEND 90° 80mm PP	See below
M87191	WALL CLAMP Ø80mm	n/a
M87376	FLAT ROOF FLASHING Ø80/125mm	n/a



A=72.5mm,
B=72.5mm



A=80mm,
B=100mm

For further information, see Installation manual available at www.lochinvar.ltd.uk

SHCF004

CONVENTIONAL FLUE ASSEMBLY MODELS

SHW86-410,SHW116-410,SHW146-410

COMPONENTS REQUIRED TO START INSTALLATION

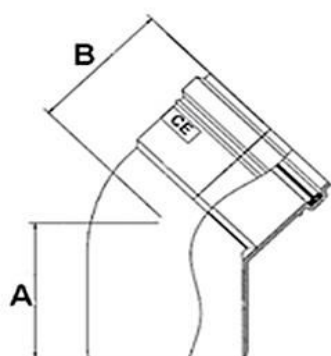
Item No.	Description	Included
M75257	AIR INLET TRANSITION Ø100mm ALU	1
M85189	SAMPLING POINT Ø100mm PP	1
M86787	APPLIANCE AIR INLET GUARD Ø100mm	1
VERTICAL FLUE		
LV310754	CONCENTRIC VERTICAL TERMINAL Ø100/150mm PP	
HORIZONTAL FLUE		
LV310758	CONCENTRIC HORIZONTAL TERMINAL Ø100/150mm PP	

Maximum equivalent flue length =60 Metres

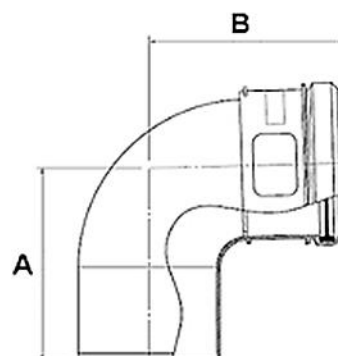
Reduction for each 90 bend =1 Metre, Reduction for each 45 bend = 0.5 Metre

ADDITIONAL FLUE ANCILLARY ITEMS

Item No.	Description	Dimensions
M85176	EXTENSION Ø100mm PP CUT TO LENGTH	500mm
M85177	EXTENSION Ø100mm PP CUT TO LENGTH	1000mm
M85181	BEND 90° 100mm PP	See below
M85182	BEND 45° 100mm PP	See below
M87193	WALL BAND (100mm)	n/a



A=78mm, B=65mm



A=115mm,
B=115mm

For further information, see Installation manual available at www.lochinvar.ltd.uk



IMPORTANT INFORMATION

These instructions must be read and understood before installing, commissioning, operating or maintaining the equipment.

