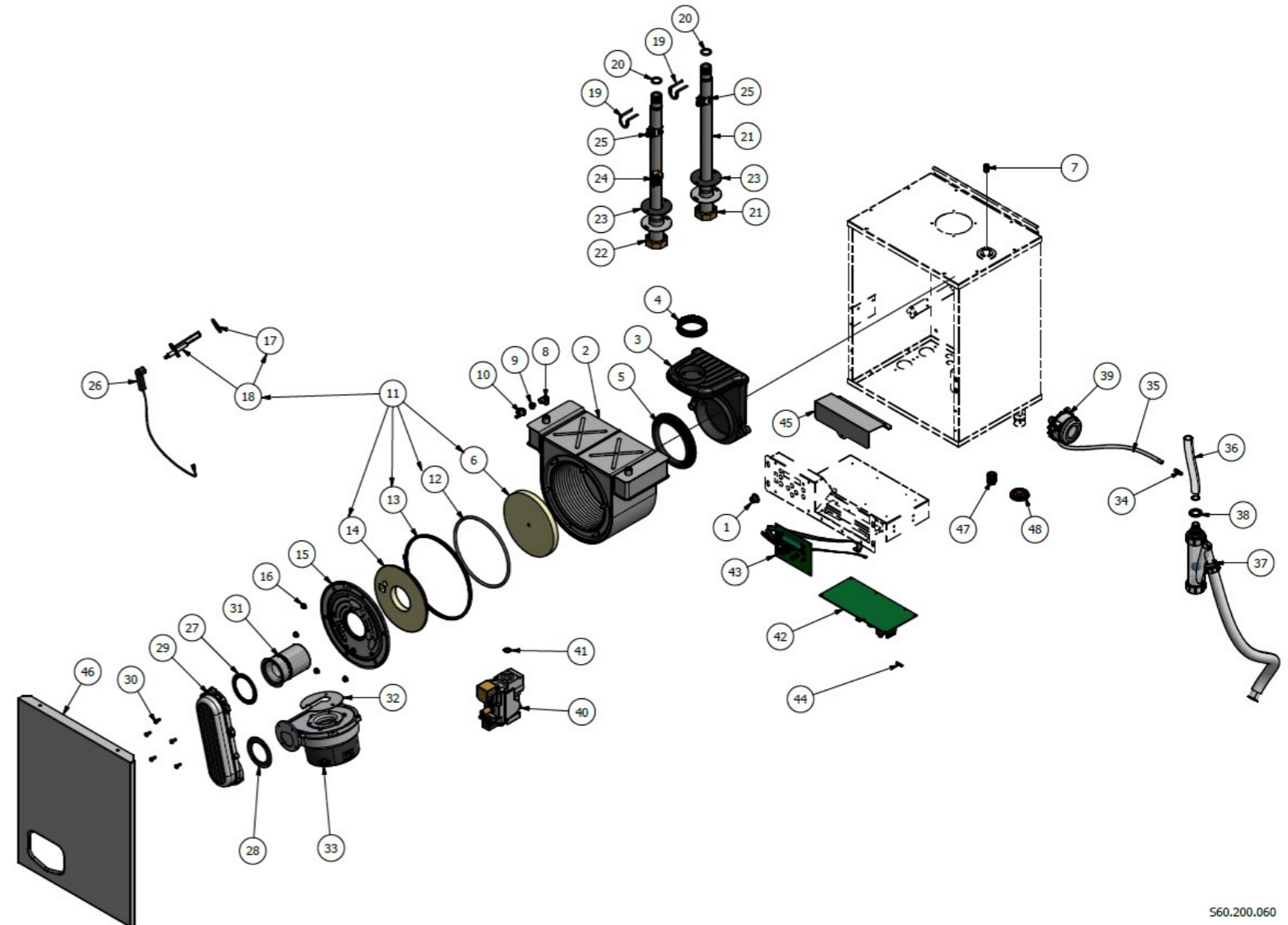


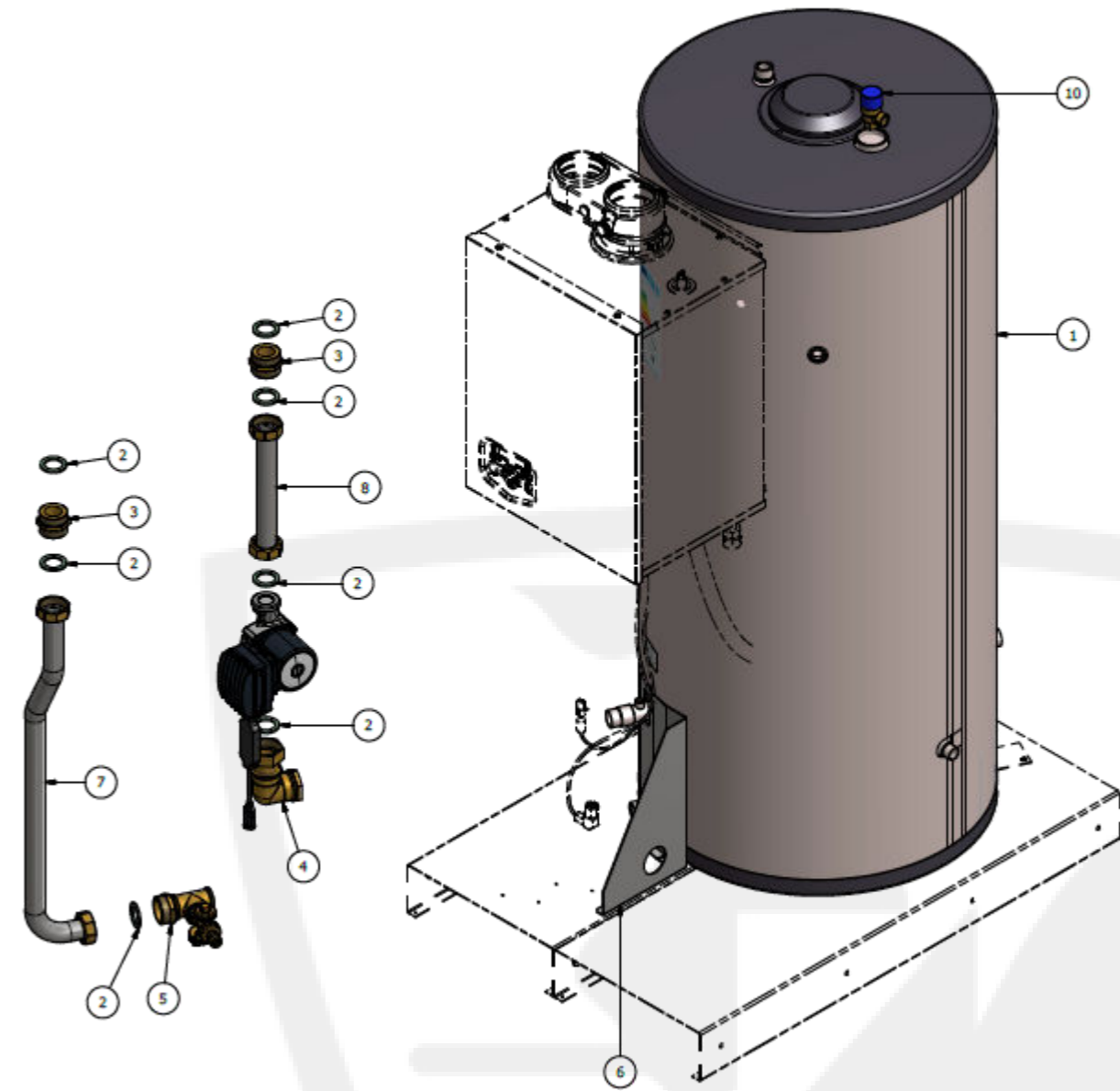
Item No	Description	Item Comments	EF+35/230
1	Rubber plug		LE05001062
2	Heat exchanger		S04-000-275
3	Flue gas collector (BIC)		LE05000147
4	Seal ring 60 mm		LE07004022
5	Gasket - Flue Gas Transfer Pipe/Hex		LE07004021
6	Burner Insulation 16 mm		S04.000.213.901
7	Heat exchanger bleed valve		E04-015-089
8	Heat exchanger bleed valve elbow		E04-004-023
9	Stainless steel Bushing G1/8"-M5		LE03001133A
10	High limit thermostat 85°C (185° F)		LE04016066
11	Maintenance kit		LE04000243901
12	Gasket-cord burner door		LE07004065901
13	Burner door outer seal		LE07004035
14	Burner door insulation		LE07010093
15	Equipped burner door		LE04000056B
16	Set nuts with flange		LE06023001
17	Set gaskets electrode (5 pcs.)		LE07000001
18	Electrode set		LE04000372
19	Spring coupling (35-55 / 79A-199A)		LE09002020A
20	O-ring couplingø 20,22 x 3,53 (Peroxide cured)		LE07002031A
21	Flow/Return pipe		LE02000104I
22	Flow pipe		LE02000299A
23	Gasket Ø78xØ34x2		LE07003111
24	High pressure water switch		LE04015081
25	Sensor NTC 10KOhm Ø 28mm		LE04016352A
26	Ignition cable BIC/CB		LE04016583A
27	Burner gasket		LE07001029
28	Combustion fan gasket		LE07001049
29	Gas/Air mixing pipe fan to burner		E03-010-018
30	Set screw m5x14		LE06023002P
31	Burner 3+1P L=103		LE04012042
32	Trim disk set		LE01000347
33	Fan		LE04000113
34	Drain tube connector Ø6,5 mm RVS		LE03012049
35	Pressure switch hose		E04-007-048B
36	Hose connection condensate tube		LE04007140
37	Condensate drain assembly		LE05000146
38	Gasket siphon/bottom plate		LE07003102
39	Air pressure switch		LE04000305
40	Gas valve		LE04000192
41	Gasket ø18x11x2 (WRAS)		LE07003129
42	Boiler control (PCB)		LE0901EN014
43	Display PCB		LE04000224
44	Burner control PCB fuse		LE04016582
45	Protection plate		LE01000457
46	Front panel		LE01000460
47	PG9 swivel and cable gland		LE05000064
48	Tube gland ø38 mm		LE04010033A

**EF+35/230 Only**



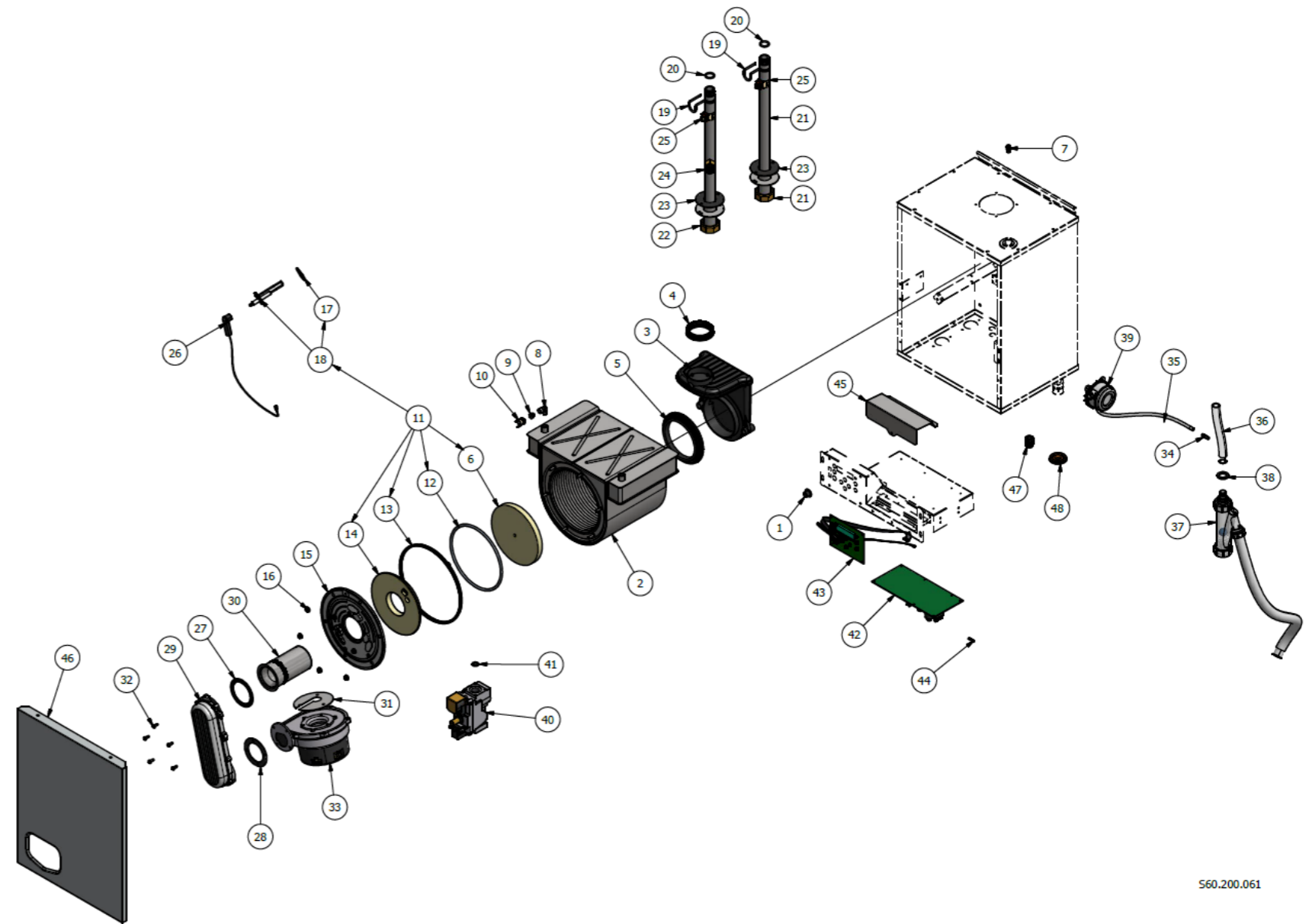
560.200.060

Item No	Description	Item Comments	EF+35/230
2	Gasket set		LE07000004
3	Flow/return pipe nipple		S04-000-273
4	Return pipe (Pump inlet)		S04-000-270
5	Drain valve & tank connection		S04-000-271
6	Support 150/230 ltr Tank		LE01004149A
7	Flow pipe		E02-000-146
8	Return pipe (Pump outlet)		E02-000-153
9	DHW pump UPMXL 25-125N Consul/CD80		LE022200001901
10	Pressure switch max 10 bar 75kW		LE04000269



Item No	Description	Item Comments	EF+55/230
1	Rubber plug		LE05001062
2	Heat exchanger		LE04000276
3	Flue gas collector		LE05000147
4	Seal ring 60 mm		LE07004022
5	Seal ring heatexchanger/Fluegas outlet		LE07004021
6	Insulation burnerroom 16 mm		LE04000213901
7	Heat Exchanger Bleed Valve		E04-015-089
8	Heat Exchanger Bleed Valve Elbow		E04-004-023
9	Stainless steel Bushing G1/8"-M5		LE03001133A
10	High limit thermostat		LE04016066
11	Maintenance kit Ambassador, Consul, CD (universal)		LE04000243901
12	Gasket-cord burner door		LE07004065901
13	Burner Door Outer Seal		LE07004035
14	Burner Door Insulation		LE07010093
15	Equipped burner door		LE04000056B
16	Set nuts with flange		LE06023001
17	Set gaskets electrode (5 pcs.)		LE07000001
18	Electrode set		LE04000372
19	Spring coupling (35-55 / 79A-199A)		LE09002020A
20	O-ring couplingø 20,22 x 3,53 (Peroxide cured)		LE07002031A
21	Flow/Return pipe		LE02000104I
22	Flow pipe +35-55		LE02000299A
23	Gasket ø78xø34x2		LE07003111
24	Water pressure switch 10 Bar 1/4"		LE04015081
25	Sensor NTC 10KOhm ø 28mm		LE04016352A
26	Ignition cable BIC/CB		LE04016583A
27	Burner Gasket		LE07001029
28	Combustion Fan Gasket		LE07001049
29	Gas/air mixing pipe fan to burner		E03-010-018
30	Burner 5+2P and 5+1P		LE04012040
31	Trim disk set Consul 55		LE01000346
32	Set Screw M5X14		LE06023002P
33	Combustion Fan		LE04000114
34	Drain tube connector ø6,5 mm RVS		LE03012049
35	Pressure Switch Hose		E04-007-048B
36	Hose connection condensate tube		LE04007140
37	Condensate drain assembly		LE05000146
38	Gasket siphon / bottom plate		LE07003102
39	Air Pressure switch		LE04000305
40	Gas valve		LE04000192
41	Gasket ø18x11x2		LE07003129
42	Boilercontrol (PCB) EF+ 55		S0902EN014
43	Display unit		LE04000224
44	Burner Control PCB Fuse		LE04016582
45	Protection plate Consul+ 35/55 EN		LE01000457
46	Front panel EF+ 35/55 EN014		LE01000460
47	PG-9 swivel + cable gland 8mm		LE05000064
48	Tube gland ø38 mm		LE04010033A

## EF+55/230 Only



S60.200.061

Item No	Description	Item Comments	EF+55/230
2	Gasket Set		LE07000004
3	Flow/Return Pipe Nipple		S04.000.273
4	Return Pipe (Pump Inlet)		S04.000.270
5	Support 150/230 ltr Tank		LE01004149A
6	Flowpipe 55/230		LE02000120J
7	Return Pipe (Pump Outlet)		E02.000.153B
8	DHW pump UPMXL 25-125N Consul/CD80		LE022200001901
9	Pressure switch max 10 bar 75kW		LE04000269
10	Connection flowpipe Consul-tank 55		LE04000272

