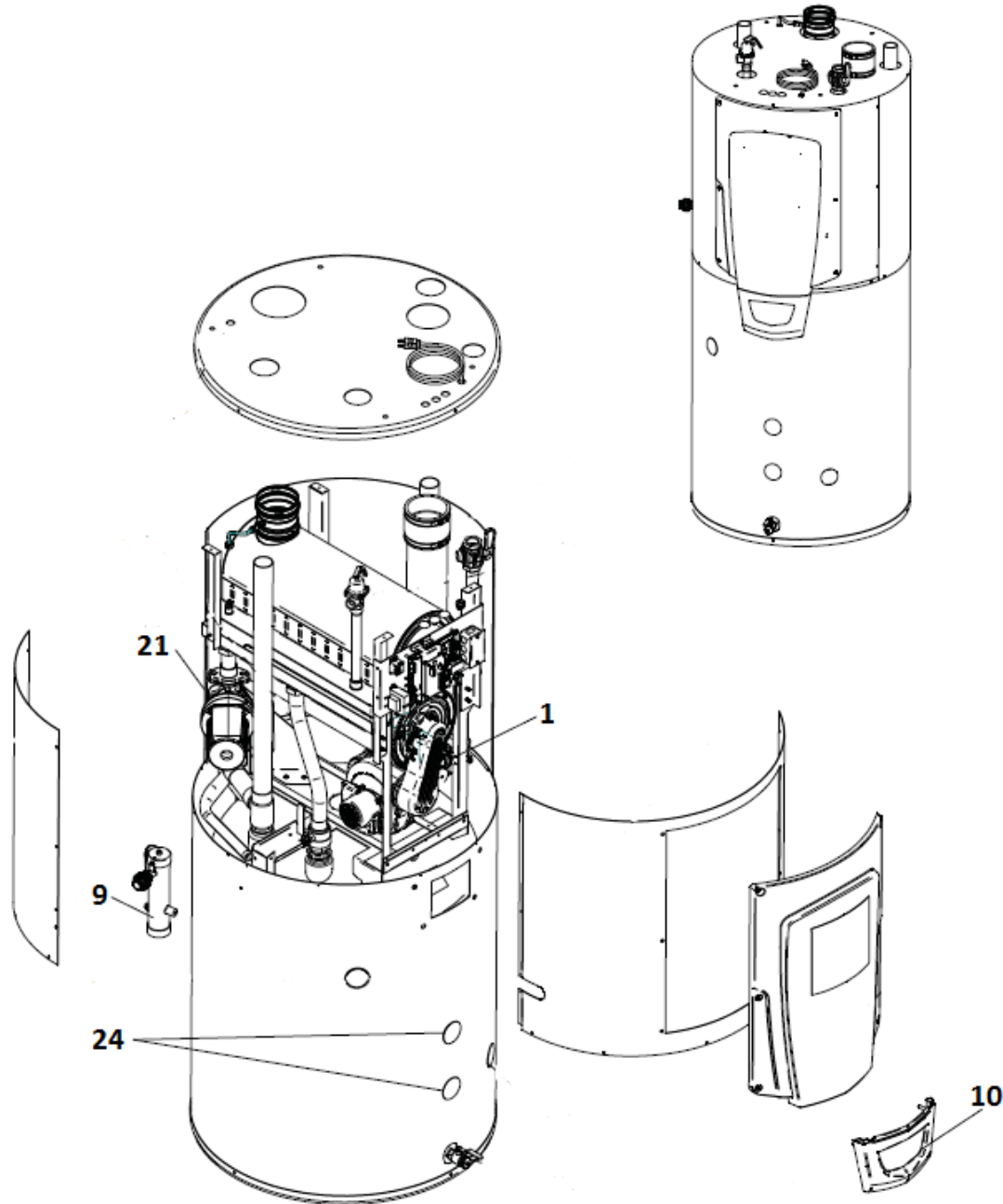


ECOSHIELD WATER HEATER SPARE PARTS FINDER

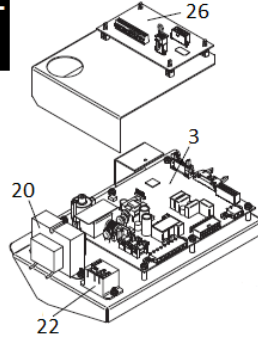
| Item No | Description of item | Item Comments | SHW35-245 | SHW46-325 | SHW61-325 | SHW86-410 | SHW116-410 | SHW146-410 | |
|---------|--------------------------------------|-----------------------------------|-------------|-----------|-----------|-----------|------------|------------|---------|
| 1. | AIR PRESSURE SWITCH | | PRS20016 | | PRS20017 | PRS20001 | PRS20002 | PRS20022 | |
| 2. | BURNER C/W GASKET | | BNR30019 | BNR3426 | BNR3427 | BNR3428 | BNR3429 | | |
| 3. | BURNER CONTROL | | RLY40116 | | | RLY40117 | RLY40118 | RLY40117 | |
| 4. | BURNER DOOR GASKET - ROPE | | GKT2452 | | | | | | |
| 5. | BURNER DOOR GASKET - RUBBER | | GKT2455 | | | | | | |
| 6. | BURNER DOOR INSULATION | | FIB2291 | | | | | | |
| | CLEAN OUT DOOR GASKET | NOT SHOWN ON DRAWING | GKT2101 | | | | | | |
| 7. | HEAT EXCHANGER REAR WALL INSULATION | | FIB2167 | | | | | | |
| 8. | CONDENSATE TRAP | | MSC20260 | | | | | | |
| | FLAME SENSE PROBE CABLE | NOT SHOWN ON DRAWING | WRE2211 | | | | | | |
| 9. | FLAME SENSE PROBE C/W GASKET | | PLT3022 | | | | | | |
| 10. | DISPLAY PCB | | RLY20120 | | | | | | |
| 11. | FLUE TEMPERATURE SENSOR GROMMET | | - | | | MSC2200 | | | |
| 12. | FAN ASSEMBLY | | FAN2050 | FAN2051 | FAN2052 | FAN2053 | FAN2054 | FAN2055 | |
| 13. | FAN GASKET | | GKT2456 | GKT2436 | GKT2456 | GKT2436 | | - | |
| 14. | FLUE TEMPERATURE SENSOR | | TST20007 | | | TST30011 | | | |
| 15. | GAS VALVE ASSEMBLY | NAT GAS AND LPG | VAL30071 | VAL30072 | VAL30073 | VAL30074 | VAL30075 | VAL30076 | |
| 16. | IGNITION CABLE | | WRE2209 | | | | | | |
| 17. | IGNITION ELECTRODE C/W GASKET | | PLT3021 | | | | | | |
| 18. | INLET TEMPERATURE SENSOR | | TST20037 | | | | | | |
| 19. | OUTLET TEMPERATURE SENSOR/HIGH LIMIT | | TST20038 | | | | | | |
| 20. | STEP DOWN POWER TRANSFORMER | | LL100170179 | | | | | | |
| 21. | PUMP | | PUM20081 | | | PUM20082 | | PUM20083 | |
| 22. | PUMP RELAY | | RLY2610 | | | | | | |
| 23. | VENTURI GASKET | | GKT2443 | | | | GKT2444 | | |
| 24. | MAGNESIUM ANODE | | WTR2500 | | | | | | |
| 25. | HEAT EXCHANGER C/W GASKETS/FITTINGS | RECOMMEND LOCHINVAR FIT THIS ITEM | LL200030P | LL200031P | LL200032P | LL200033P | LL200034P | LL200035P | |
| 26. | LOW VOLTAGE CONNECTION BOARD | | LL100167623 | | | | | | |
| 27. | AIR SHROUD GASKET | | - | | | | | | GKT2080 |

ECOSHIELD WATER HEATER SPARE PARTS FINDER

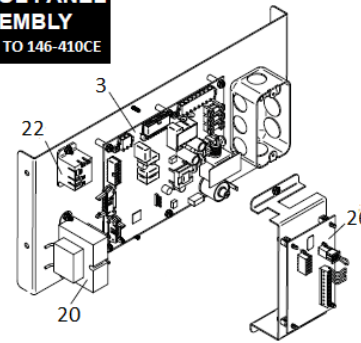


ECOSHIELD WATER HEATER SPARE PARTS FINDER

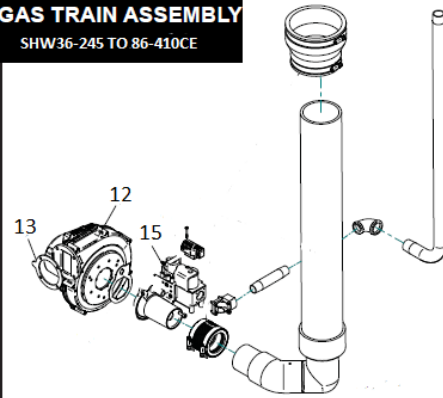
CONTROL PANEL ASSEMBLY
SHW36-245 TO 61-325CE



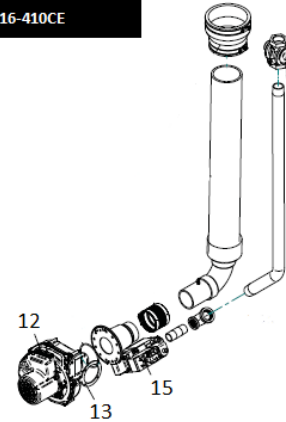
CONTROL PANEL ASSEMBLY
SHW86-410 TO 146-410CE



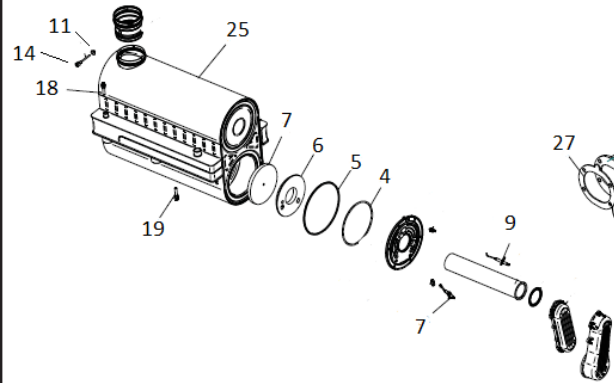
GAS TRAIN ASSEMBLY
SHW36-245 TO 86-410CE



GAS TRAIN ASSEMBLY
SHW116-410CE



HEAT EXCHANGER ASSEMBLY



GAS TRAIN ASSEMBLY
SHW146-410CE

