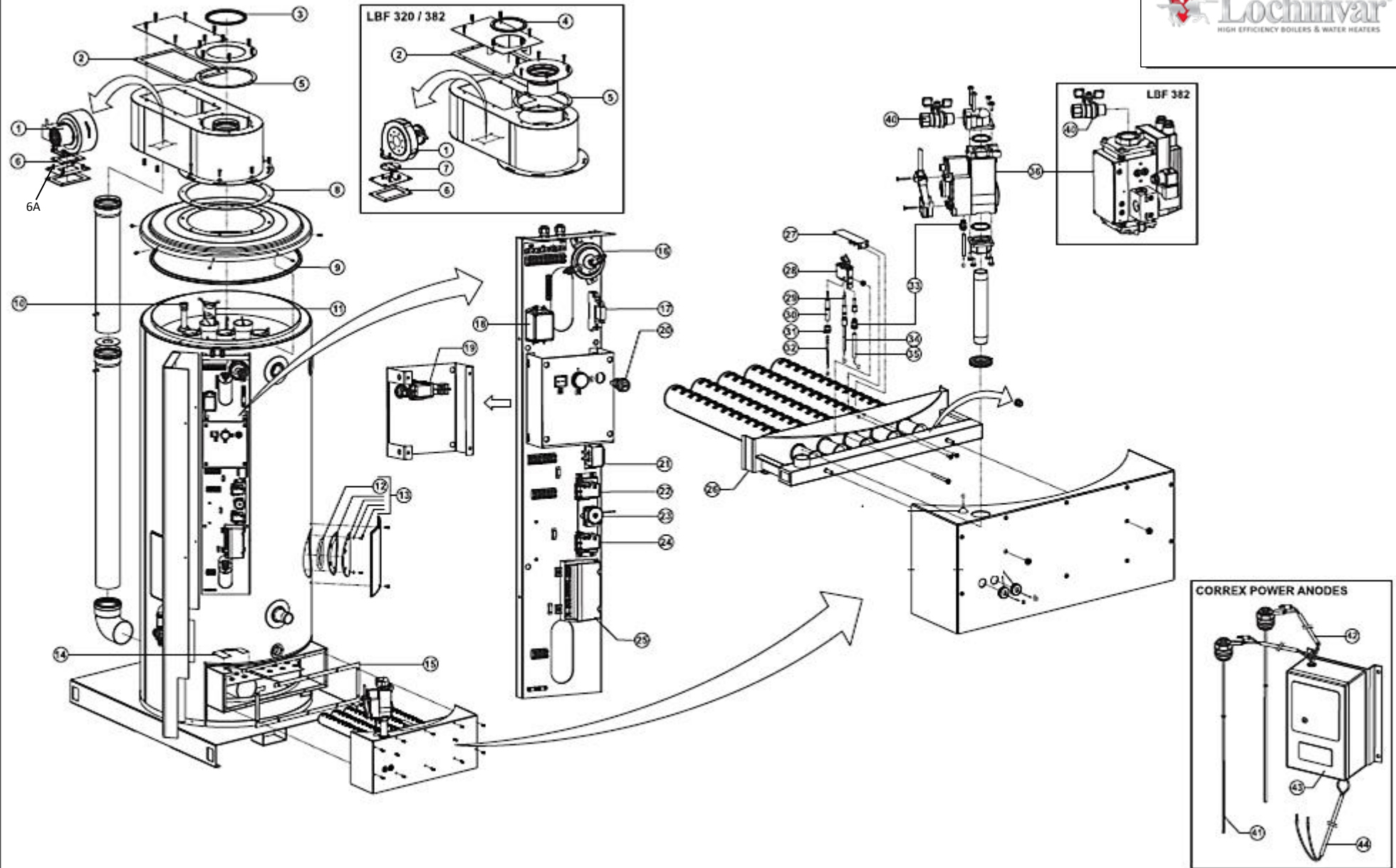



HO-LBF Spare Parts List (GCE & PGCE Models)

Item No	Description item	Item Comments	HO-LBF 120	HO-LBF 160	HO-LBF 240	HO-LBF 320	HO-LBF 382
1	Combustion Fan	Fan G2E-120-DD70-05	LV306689			-	-
		Fan RG148-1200-3633-010202	-	-	-	LV306687	
2	Gasket	Entrance Plate / Top Box	LV306712				
3	Gasket Silicon	135 mm	LV302466	-	-	-	-
		160 mm	-	LV302465	-	-	-
		200 mm	-	-	LV302312	-	-
4	Gasket Silicon	130 mm	-	-	-	LV306784	
5	Gasket	Diam. 250 mm x 220 mm	LV303976				
6	Gasket	Bracket/Fan	LV302223				
6A	Bracket		LV306365			-	
7	Gasket	Top Box/Fan	LV306384				
8	Gasket	Top Bos/Cover Jacket	LV302222				
9	Sealant U-profile	610	LV305098				
10	Anode	991 mm	LV183463039				
	Anode Magnesium Flexible	1126 mm	LV304728				
11	Flue Baffle		LV19212			-	-
			-	-	-	LV192121002	
12	O-ring Clean Out	127x14	LV304741				
13	Inspection Door Service Kit	Includes: Washers, bolts, gasket, metal inner cover plate/door.	LV301125				
14	Gasket	Bottom Box Upper	LV302220				
15	Gasket	Bottom Box Front	LV302219				
16	Air Pressure Switch	200/170 Pa	LV307251	-	-	-	-
		270/240 Pa	-	LV305488	-	-	-
		255/225 Pa	-	-	LV305487	-	-
		610/580 Pa	-	-	-	LV0306693	-
		220/190 Pa	-	-	-	-	LV306694
Not shown	APS Sense tube	Item per metre, 4 metre required	LV303312				
17	Common Fault Relay		LV305472				
18	EMC-Filter	FN2070-3/06	LV305486				
19	Control Thermostat	40-73°C	LV302989				
20	Reset Button		LV301948				

Item No	Description item	Item Comments	HO-LBF 120	HO-LBF 160	HO-LBF 240	HO-LBF 320	HO-LBF 382
22	High Limit Thermostat	84°C					LV302991
23	Overheat Thermostat	93°C					LV300674
24	Frost Thermostat	20°C					LV302990
25	Ignition Sequence Controller						LV301960
26	Burner Tray	3 Burners	LV302720	-	-	-	-
		5 Burners	-	LV302721	-	-	-
		7 Burners	-	-	LV302722		
27	Pilot Protection Plate						LV302320
28	Pilot Burner						LV301086
29	Ignition Electrode						LV303685
30	Flame Sense Electrode						LV071608
31	Cap Nut Ionisation Rod						LV302419
32	Flame Sense Electrode Cable						LV305645
33	Compression Fitting for Ionisation Electrode						LV070300002
34	Ignition Cable						LV305646
35	Pilot Tube	630 mm					LV070800003
36	Gas Valve	VR4601CB1024-NG					LV301961
		VR4601CB1024-LPG					LV032209
40	Gas Isolation Valve						LV300719
-	Pilot Burner Assembly Complete Set of Pilot Burner, Pilot Tube, Thermocouple and Ignition Cable	NG					LV301954
		LPG					LV302291
POWER ANODE SPARE PARTS - These spare parts are for units that are factory fitted with power anodes							
41	Correx Power Anode	300 mm					LV307448
42	Correx Cable Double Anode						LV310544
43	CORREX box						LV310539
44	Correx Cable Control	CORREX Box - Control					LV310541

Note. Use in conjunction with Drawing EVD0020 below



Drawn: MS	Scale: Sketch	Date: 150212	Chg.No.: 8288	Rev.: R0	AM,PROJ.
LBF 120 / 160 / 240 / 320 / 382				 Drawing Number EVD-0020	A3 