

ECOFORCE+™ SPARE PARTS LIST

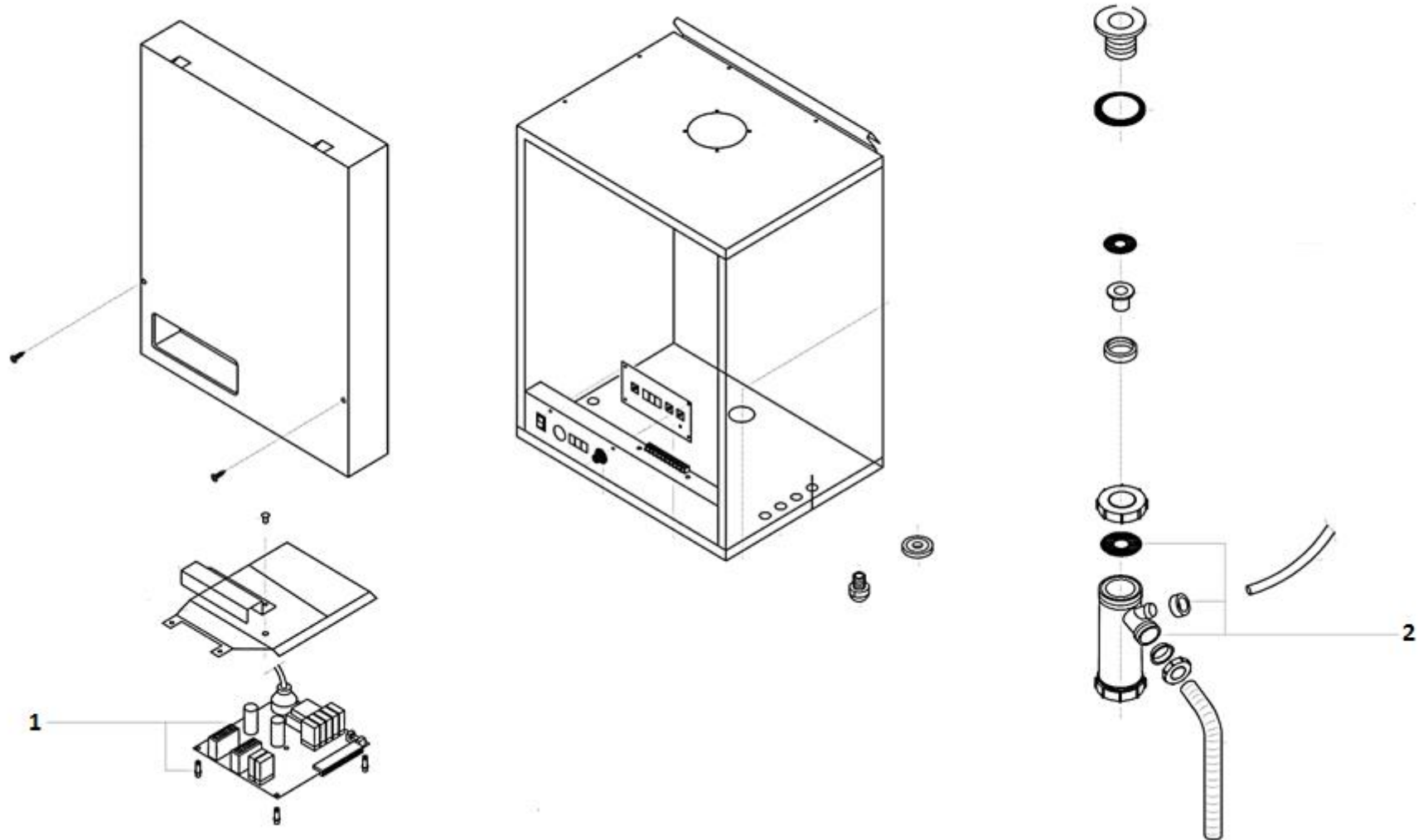
For use on water heater serial numbers starting 014.16** ONLY

Item No	Description of item	Item Comments	EF35/150	EF35/230	EF55/230
1	BURNER CONTROL PCB		LE04000322		LE04000333
2	CONDENSATE DRAIN COMPLETE (CLEAR BOWL)		LE05000138		
3	BURNER DOOR		LE04000056		
4	BURNER DOOR OUTER SEAL		LE07004035		
5	BURNER DOOR INSULATION		LE07010093		
6	COMBUSTION CHAMBER REAR WALL INSULATION		LE04000212		
7	COMBUSTION FAN		LE04000113	LE04000114	
8	GAS VALVE		LE04000192		
9	AIR PRESSURE SWITCH		LE04000305		
10	IGNITION/DETECTION ELECTRODE		LE04000372		
11	DISPLAY PCB	NOT SHOWN	LE04000061		
12	AIR INLET RESTRICTION PLATE		LE01000235		
13	HIGH LIMIT THERMOSTAT		LE04016066		
14	GAS/AIR INLET PIPE GASKET (BURNER END)		LE07001029		
15	FLOW/RETURN TEMPERATURE SENSOR		LE04016352		
16	PUMP	NOT SHOWN	LE04000429		

USE IN CONJUNCTION WITH DRAWINGS BELOW

ECOFORCE+™ SPARE PARTS LIST

For use on water heater serial numbers starting 014.16** ONLY



ECOFORCE+™ SPARE PARTS LIST

For use on water heater serial numbers starting 014.16** ONLY

