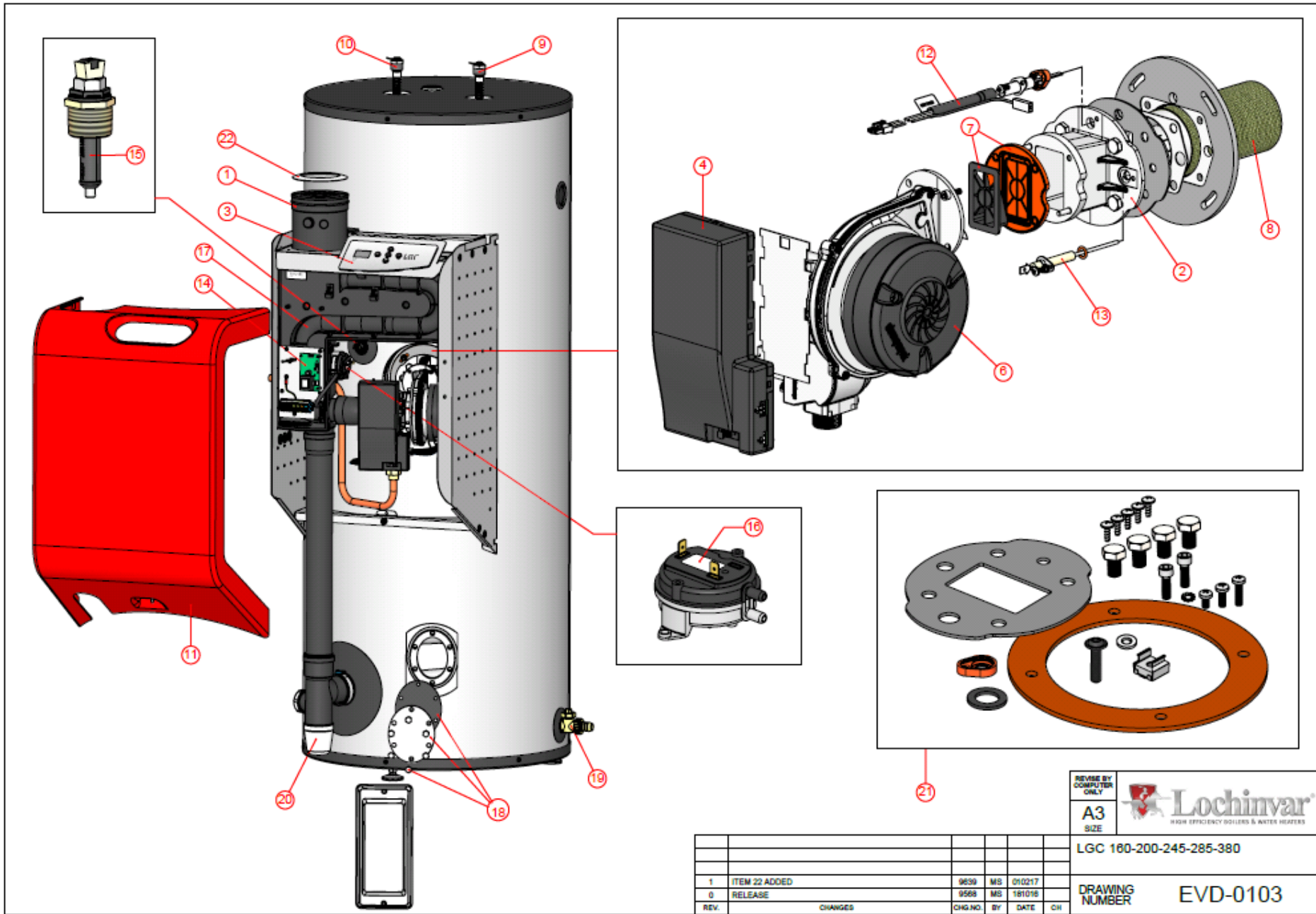


EcoSword WATER HEATER SPARE PARTS FINDER

			Refer To Drawing EVD-0103								
No	Item Description	Item comments	LGC 160-210 CE	LGC 160-350 CE	LGC 200-210 CE	LGC 200-350 CE	LGC 245-420 CE	LGC 245-560 CE	LGC 285-420 CE	LGC 285-560 CE	LGC 380-560 CE
1	Flue Outlet/Air Inlet Connector	(80/125 mm)	LV311693								
2	Adapter Blower		LV312028								
3	Digital Display Module		LV312541								
4	Control Board		LV312018								
5	Gas Valve		LV312017								
6	Fan/Venturi	Fan/Venturi Assy	LV312015								
7	Non Return Valve	Non Return Valve Assy	LV312024								
8	Burner Assembly	Burner Assy	LV312014								
9	Anode	Power Anode 400 mm					LV312174				
10		Power Anode 800 mm	LV312175				-				
		Power Anode 1200 mm					LV312176				
11	Cover Lid	Serial number before 1805xxx	LV312458				LV312459			LV312460	
11	Cover Lid	Serial number from 1805xxx	LV312859				LV312860			LV312861	
12	Hot surface Igniter (HSI)	Glow Igniter Assy	LV311990								
13	Flame Sensor	Flame Sensor Assy	LV310075								
14	Potentiostat	Potentiostat Assy	LV312021								
15	Temp. Sensor	Sensor 4 Pins Assy	LV312036								
16	Air Proving Switch (APS)	Air Proving Switch (175 Pa)	LV312094				-				
		Air Proving Switch (400 Pa)					LV312214				
17	Air Inlet Box	Inlet Construction Assy	LV311696								
18	Clean Out Door kit	Clean Out Servic Kit	LV305082								
19	Drain Valve	Drain Valve Kit	LV070630								
20	Condensate Drain	Condensate Assy	LV311699								
21	Gaskets, Screws, Nuts and Bolts.	Gasket/Mounting Set - EcoLG	LV312207								
	Cable Assy	Not Shown	LV312006								
22	Air inlet screen		LV312624								
23	APS Hoses	Not Shown	LV313238								



REVISE BY COMPUTER ONLY
A3
 SIZE



LGC 180-200-245-285-380

REV.	CHANGES	CHG. NO.	BY	DATE	CHK.
1	ITEM 22 ADDED	9659	MS	01/02/17	
0	RELEASE	9568	MS	18/10/16	

DRAWING NUMBER **EVD-0103**