

CPM REPLACEMENT PARTS LIST – S/N (014-28*-***-**-**)



CPM58

Item No	Description of item	Item Comments	CPM58
USE IN CONJUNCTION WITH DRAWINGS 1 AND 2			
100	SIDE PANEL LEFT		LE01000298
101	FRONT PANEL		LE01000323
102	IGNITION CABLE		LE04000583
103	IGNITION ELECTRODE		LE04000372
104	MAINTENANCE SET	INCLUDES ITEMS 103,105,106,107	LE04000243
105	COMBUSTION CHAMBER REAR WALL INSULATION	16mm	LE04000213
106	BURNER DOOR OUTER SEAL		LE07004035
107	BURNER DOOR INSULATION		LE07010093
108	BURNER DOOR		LE04000056
109	SET OF 10 NUTS WITH FLANGE	M6	LE06023001
110	BURNER		LE04012040
111	BURNER GASKET		LE07001029
112	SET OF SCREWS	M5X14 – 6 PCS	LE06023002
113	GAS AIR INLET PIPE (FAN TO BURNER)		LE03000160
114	COMBUSTION FAN GASKET	58mm	LE07001049
115	COMBUSTION FAN	C/W WITH GASKET	LE04000069
116	GAS/AIR MIXING BOX		LE05000086
117	GASPIPE	Ø15mm	LE02000089
118	GASPIPE CONNECTION		LE02000178
119	GAS VALVE		LE04000187
120	FUSE	10 PCS	LE04016582
121	BURNER CONTROL PCB		LE0801EN014
122	DISPLAY PCB		LE04000224
123	FLUE BUNG TEST POINT	Ø15mm	LE05001062
124	TERMINAL COVER		LE01000321
125	HEAT EXCHANGER		LE04000277

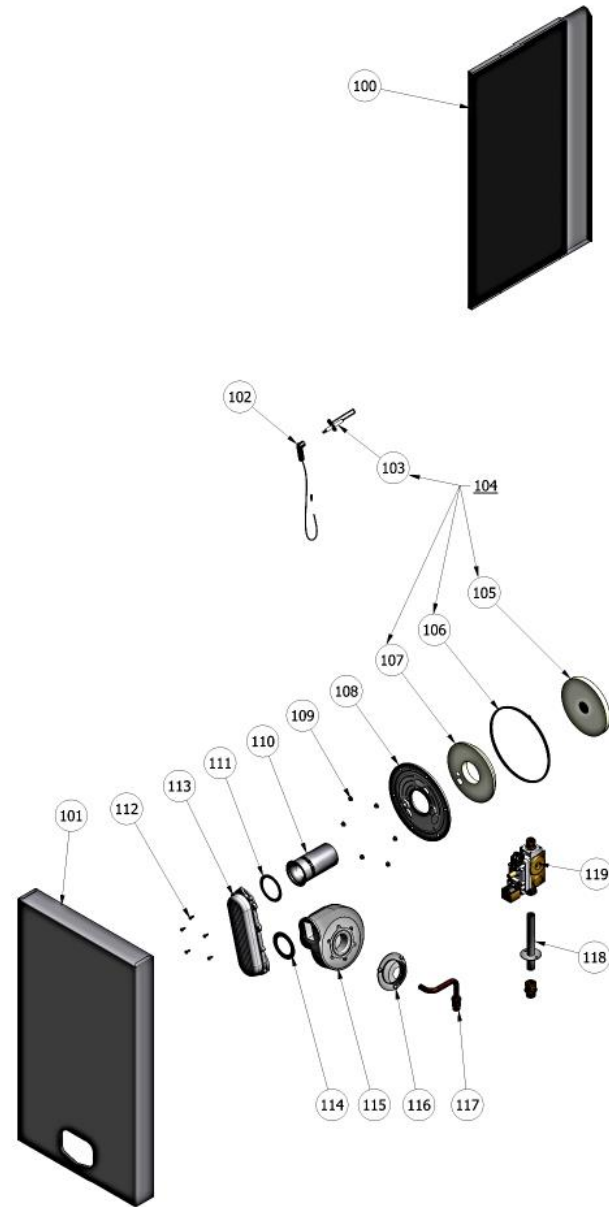
CPM REPLACEMENT PARTS LIST – S/N (014-28*-***-**-**)



CPM58

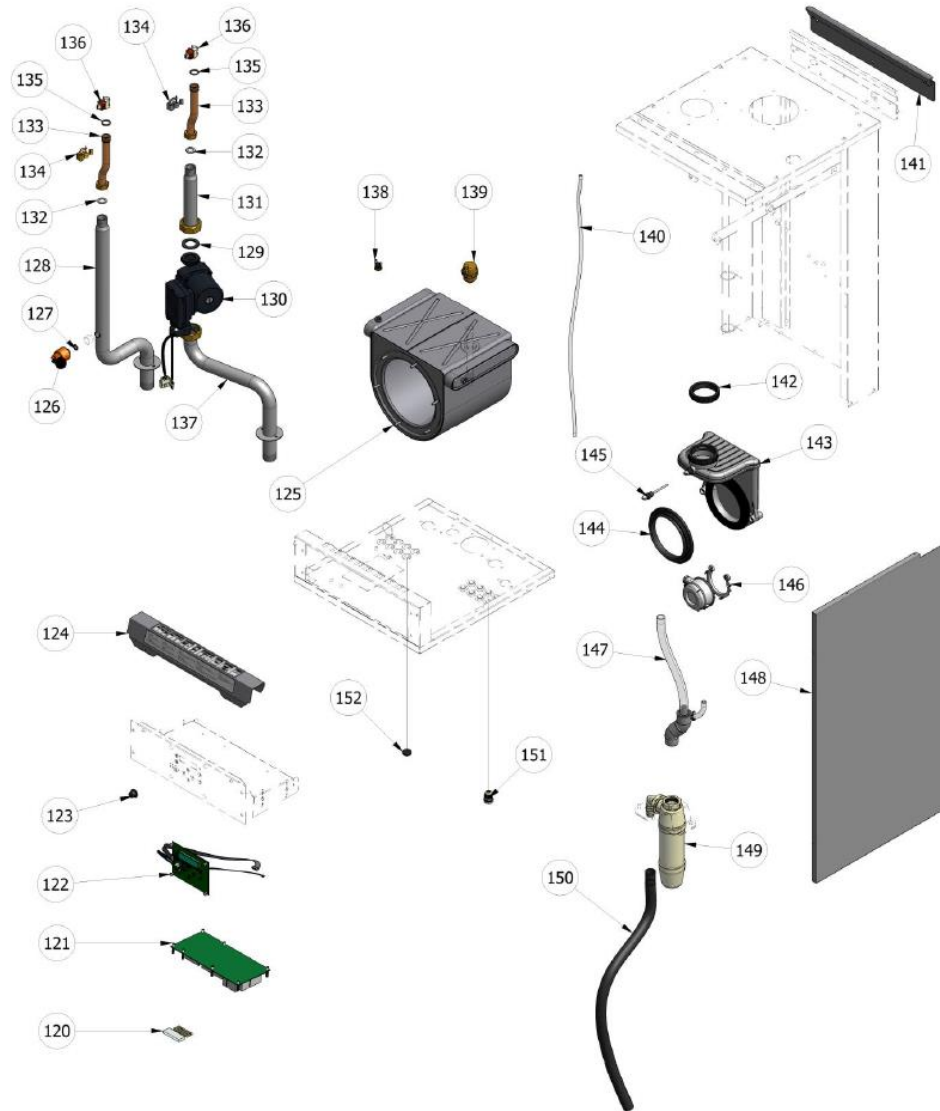
Item No	Description of item	Item Comments	CPM58
USE IN CONJUNCTION WITH DRAWINGS 1 AND 2			
126	WATER PRESSURE SENSOR		LE04000253
127	GASKET		LE07001107
128	FLOW PIPE		LE02028063
129	PUMP GASKET		LE07003076
130	MODULATING PUMP		LE04000419
131	RETURN PIPE	C/W COUPLING	LE02000122
132	GASKET		LE07001088
133	FLOW/RETURN PIPE	C/W COUPLING	LE02003041
134	HEAT EXCHANGER CLIP		LE09002011
135	HEAT EXCHANGER INLET O-RING		LE07002027
136	FLOW/RETURN TEMPERATURE SENSOR		LE04016395
137	RETURN PIPE		LE02028064
138	HIGH LIMIT		LE04016274
139	AUTOMATIC AIR VENT		LE04015008
140	AIR INTAKE DRAIN HOSE		LE04007110
141	WALL BRACKET		LE01001014
142	GASKET – FLUE GAS TRANSFER PIPE AND SPIGOT		LE07004064
143	FLUE GAS TRANSFER TUBE	C/W GASKETS	LE05000081
144	GASKET – FLUE GAS TRANSFER PIPE/HEX		LE07004021
145	FLUE GAS TEMPERATURE SENSOR		LE04016621
146	AIR PRESSURE SWITCH		LE04000305
147	CONNECTION PIECE SIPHON HEAT EXCHANGER		LE05000134
148	SIDE PANEL RIGHT HAND		LE01000299
149	CONDENSATE WATER TRAP		LE05000115
150	CONDENSATE DRAIN HOSE		LE04007038
151	NET CABLE 230V		LE04016142
152	PG9 SWIVEL AND CABLE GLAND	8mm	LE05000064
153	BLIND GROMMET	18.5mm	LE04010031

CPM REPLACEMENT PARTS LIST – S/N (014-28*-***-**-**)



DRAWING 1

CPM REPLACEMENT PARTS LIST – S/N (014-28*-***-**-**)



DRAWING 2

CPM REPLACEMENT PARTS LIST – S/N (014-28*-***-**-**)



CPM77 TO CPM96

Item No	Description of item	Item Comments	CPM77	CPM96
USE IN CONJUNCTION WITH DRAWINGS 3 AND 4				
100	SIDE PANEL LEFT		LE01000298	LE01000298
101	FRONT PANEL		LE01000323	LE01000323
102	IGNITION CABLE		LE04000583	LE04000583
103	IGNITION ELECTRODE		LE04000372	LE04000372
104	MAINTENANCE SET	INCLUDES ITEMS 103,105,106,107	LE04000243	LE04000243
105	COMBUSTION CHAMBER REAR WALL INSULATION	16mm	LE04000213	LE04000213
106	BURNER DOOR OUTER SEAL		LE07004035	LE07004035
107	BURNER DOOR INSULATION		LE07010093	LE07010093
108	BURNER DOOR		LE04000056	LE04000056
109	SET OF 10 NUTS WITH FLANGE	M6	LE06023001	LE06023001
110	BURNER DOOR THERMOSTAT		LE04016667	LE04016667
111	BURNER		LE04012025	LE04012025
112	BURNER GASKET		LE07001029	LE07001029
113	SET OF SCREWS		LE06023002	LE06023002
114	GAS AIR INLET PIPE (FAN TO BURNER)		LE03000160	LE03000160
115	COMBUSTION FAN GASKET	58mm	LE07001049	LE07001049
116	COMBUSTION FAN	C/W GASKET	LE04000069	LE04000069
117	GAS/AIR MIXING BOX		LE05000087	LE05000088
118	O-RING		LE07002018	LE07002018
119	GAS VALVE		LE04000188	LE04000188
120	FUSE	10 PCS	LE04016582	LE04016582
121	BURNER CONTROL PCB		LE0801EN014	LE0801EN014
122	DISPLAY PCB		LE04000224	LE04000224
123	FLUE BUNG TEST POINT	Ø15mm	LE05001062	LE05001062
124	TERMINAL COVER		LE01000294	LE01000294

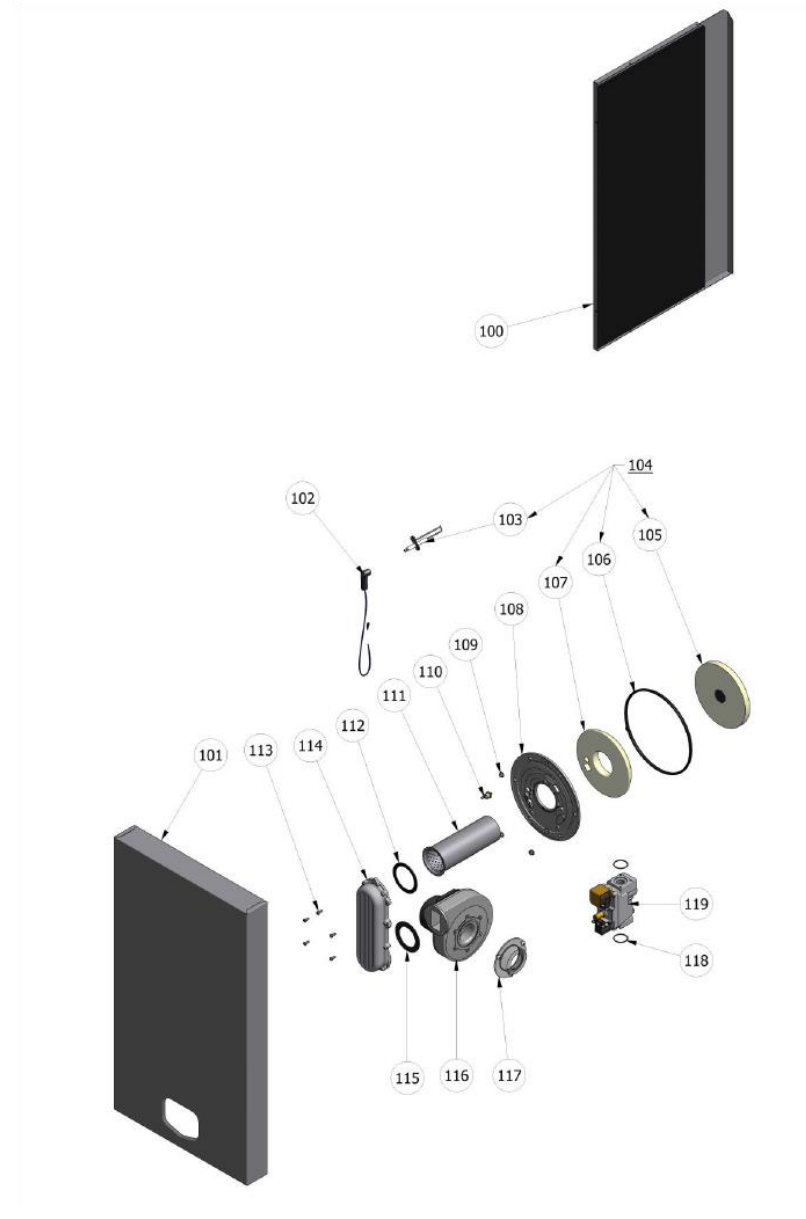
CPM REPLACEMENT PARTS LIST – S/N (014-28*-***-**-**)



CPM77 TO CPM96

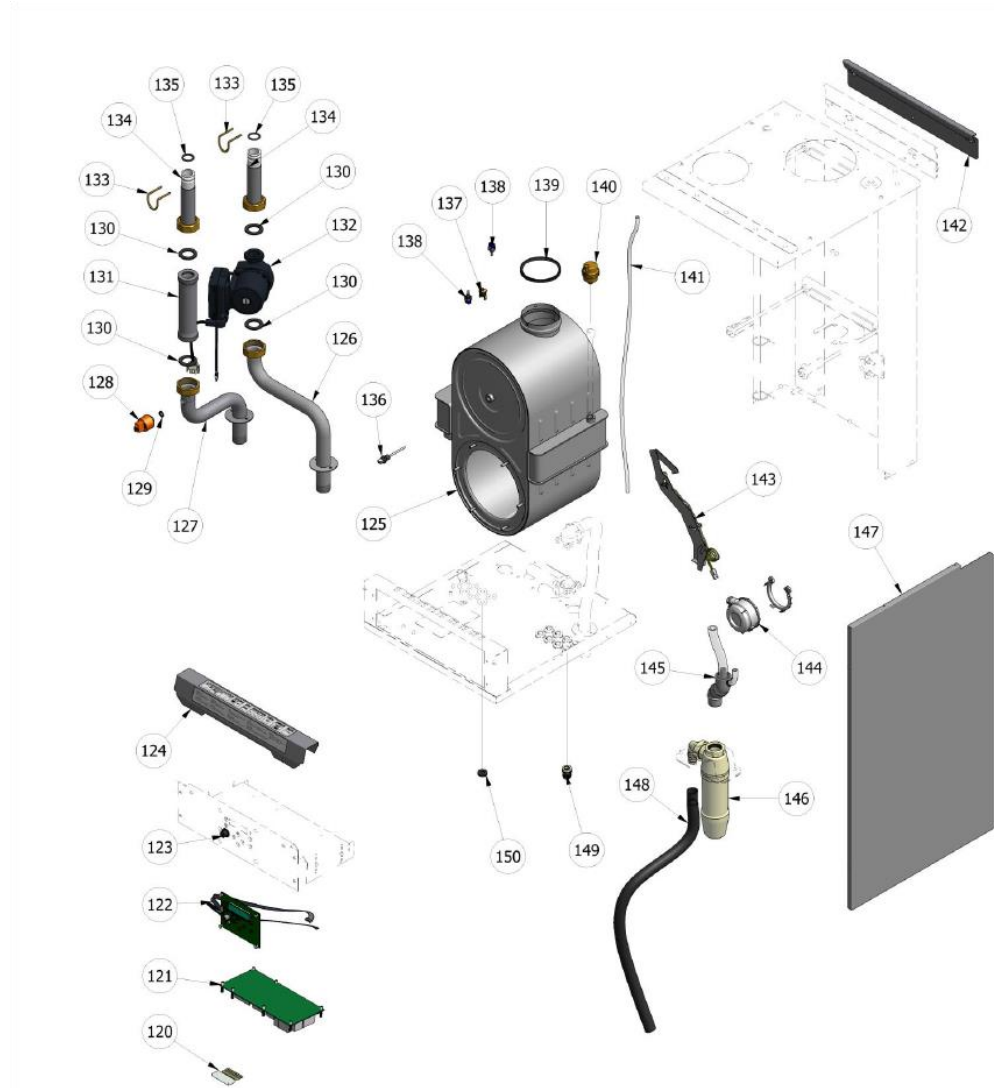
tem No	Description of item	Item Comments	CPM77	CPM96
USE IN CONJUNCTION WITH DRAWINGS 3 AND 4				
125	HEAT EXCHANGER		LE04000278	LE04000279
126	RETURN PIPE 2		LE02028066	LE02028066
127	FLOW PIPE 3		LE02028065	LE02028065
128	WATER PRESSURE SENSOR	4bar	LE04000253	LE04000253
129	GASKET		LE07001107	LE07001107
130	PUMP GASKET		LE07003076	LE07003076
131	FLOW PIPE 2		LE02025016	LE02025016
132	MODULATING PUMP		LE04000419	LE04000419
133	HEAT EXCHANGER CLIP		LE09002021	LE09002021
134	FLOW/RETURN PIPE 1	C/W COUPLING	LE02000140	LE02000140
135	O-RING		LE07002032	LE07002032
136	FLUE GAS TEMPERATURE SENSOR		LE04016621	LE04016621
137	HIGH LIMIT		LE04016274	LE04016274
138	SENSOR		LE04016287	LE04016287
139	SEAL		LE07004030	LE07004030
140	AUTOMATIC AIR VENT		LE04015008	LE04015008
141	AIR INTAKE DRAIN HOSE		LE04007110	LE04007110
142	WALL BRACKET		LE01001014	LE01001014
143	REAR WALL TEMPERATURE SENSOR		CONTACT US	CONTACT US
144	AIR PRESSURE SWITCH		LE04000305	LE04000305
145	CONDENSATE DRAIN CONNECTION		LE05000135	LE05000135
146	SIPHON		LE05000115	LE05000115
147	SIDE PANEL RIGHT HAND		LE01000299	LE01000299
148	CONDENSATE DRAIN HOSE		LE04007038	LE04007038
149	NET CABLE 230V		LE04016142	LE04016142
150	PG9 SWIVEL AND CABLE GLAND	8mm	LE05000064	LE05000064
151	BLIND GROMMET	18.5mm	LE04010031	LE04010031

CPM REPLACEMENT PARTS LIST – S/N (014-28*-***-**-**)



DRAWING 3

CPM REPLACEMENT PARTS LIST – S/N (014-28*-***-**-**)



DRAWING 4

CPM REPLACEMENT PARTS LIST – S/N (014-28*-***-**-**)



CPM116

Item No	Description of item	Item Comments	CPM116
USE IN CONJUNCTION WITH DRAWINGS 5 AND 6			
100	SIDE PANEL LEFT		LE01000298
101	FRONT PANEL		LE01000323
102	IGNITION CABLE		LE04000583
103	IGNITION ELECTRODE		LE04000372
104	MAINTENANCE SET	INCLUDES ITEMS 103,105,106,107	LE04000243
105	COMBUSTION CHAMBER REAR WALL INSULATION	16mm	LE04000213
106	BURNER DOOR OUTER SEAL		LE07004035
107	BURNER DOOR INSULATION		LE07010093
108	BURNER DOOR		LE04000056
109	SET OF 10 NUTS WITH FLANGE	M6	LE06023001
110	BURNER DOOR THERMOSTAT		LE04016667
111	BURNER		LE04012027
112	BURNER GASKET		LE07001029
113	SET OF SCREWS		LE06023002
114	GAS AIR INLET PIPE (FAN TO BURNER)		LE03000160
115	COMBUSTION FAN GASKET	58mm	LE07001049
116	COMBUSTION FAN	C/W GASKET	LE04000069
117	GAS/AIR MIXING BOX		LE05000089
118	GAS VALVE O-RING		LE07000003
119	GASKET		LE07001101
120	GAS VALVE		LE04000188
121	GAS VALVE O-RING		LE07002018
122	FUSE	10 PCS	LE04016582
123	BURNER CONTROL PCB		LE0801EN014
124	DISPLAY PCB		LE04000224
125	FLUE BUNG TEST POINT	Ø15mm	LE05001062
126	TERMINAL COVER		LE01000294
127	HEAT EXCHANGER		LE04000280

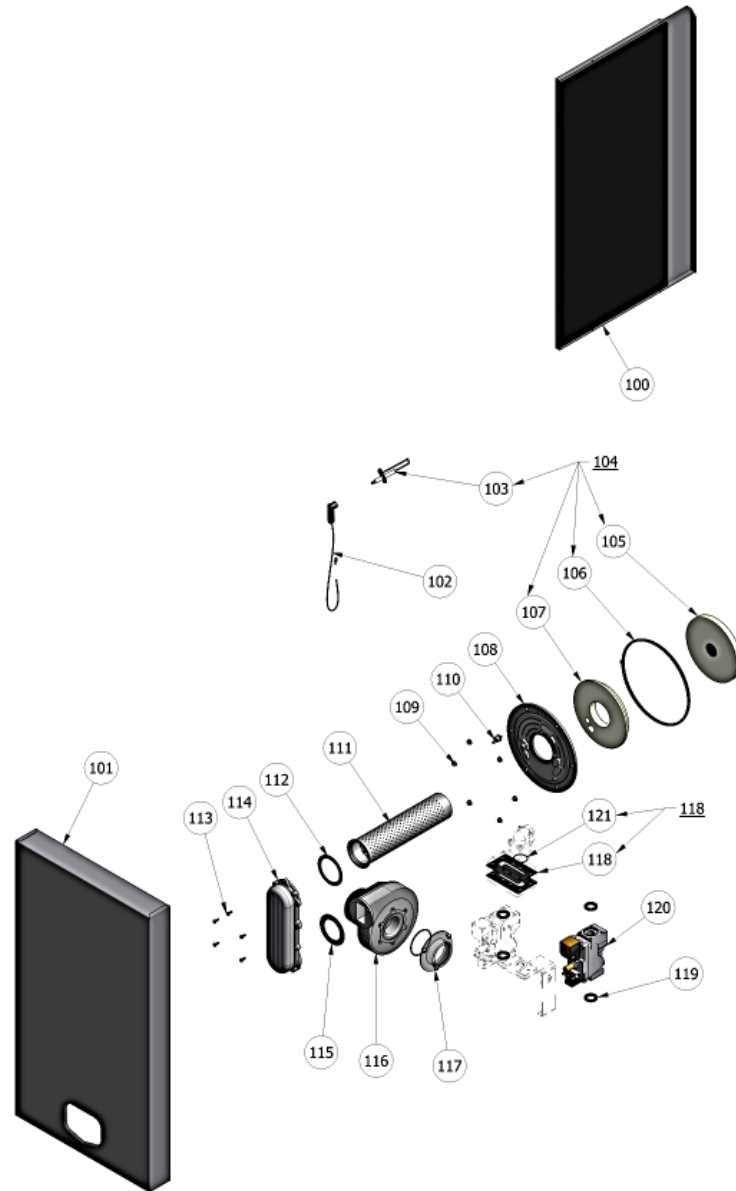
CPM REPLACEMENT PARTS LIST – S/N (014-28*-***-**-**)



CPM116

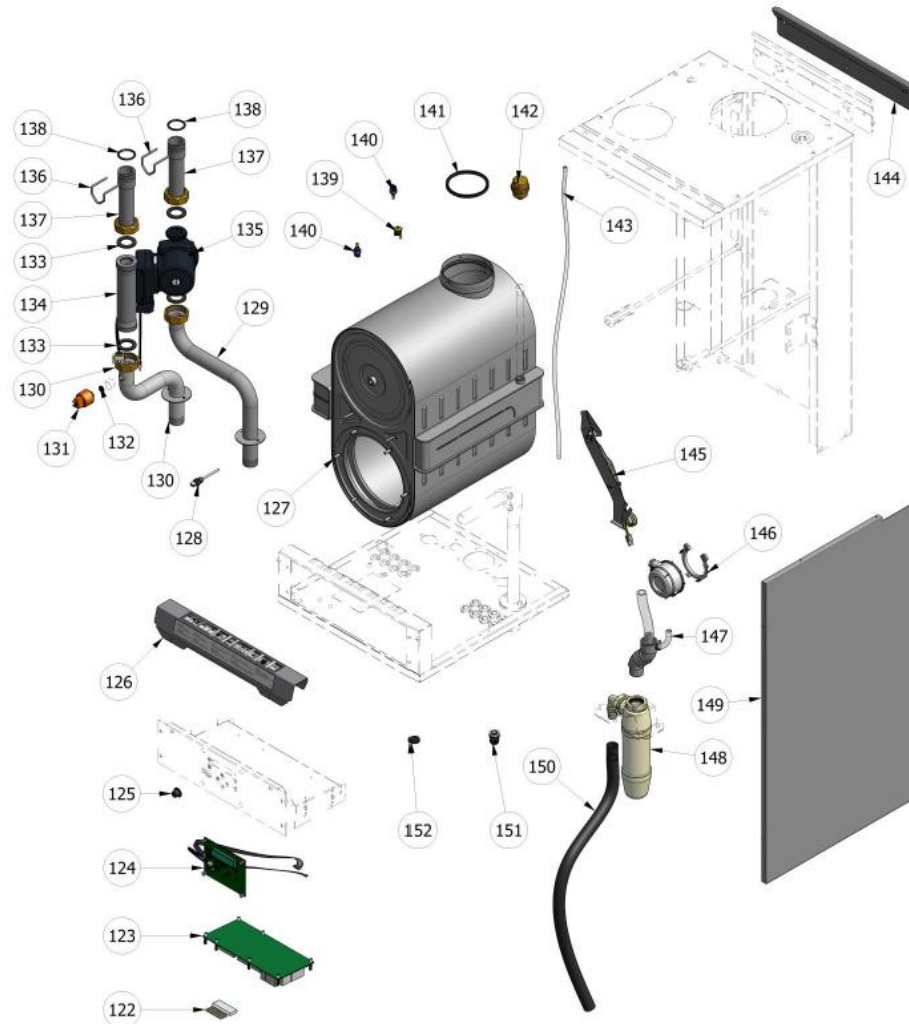
Item No	Description of item	Item Comments	CPM116
USE IN CONJUNCTION WITH DRAWINGS 5 AND 6			
128	FLUE GAS SENSOR		LE04016621
129	RETURN PIPE 2		LE02028066
130	FLOW PIPE 3		LE02028065
131	WATER PRESSURE SENSOR	4bar	LE04000253
132	GASKET		LE07001107
133	PUMP GASKET		LE07003076
134	FLOW PIPE 2		LE02025016
135	MODULATING PUMP		LE04000419
136	HEAT EXCHANGER CLIP		LE09002022
137	RETURN FLOW PIPE 1	C/W COUPLING	LE02000141
138	HEAT EXCHANGER INLET O-RINGS		LE07002033
139	HIGH LIMIT		LE04016274
140	NTC SENSOR		LE04016287
141	HEAT EXCHANGER OUTLET SEAL		LE07004030
142	AUTOMATIC AIR VENT		LE04015008
143	CONDENSATE DRAIN HOSE		LE04007110
144	MOUNHTING WALL BRACKET		LE01001014
145	REAR WALL TEMP SENSOR		CONTACT US
146	AIR PRESSURE SWITCH	C/W GASKETS	LE04000305
147	CONNECTION PIECE SIPHON HEAT EXCHANGER		LE05000135
148	SIPHON		LE05000115
149	SIDE PANEL RIGHT HAND		LE01000299
150	CONDENSATE DRAIN HOSE		LE04007038
151	NET CABLE 230V		LE04016142
152	PG-9 SWIVEL + CABLE GLAND	8mm	LE05000064
153	BLIND GROMMET	Ø18.5mm	LE04010031

CPM REPLACEMENT PARTS LIST – S/N (014-28*-***-**-**)



DRAWING 5

CPM REPLACEMENT PARTS LIST – S/N (014-28*-***-**-**)



DRAWING 6

CPM REPLACEMENT PARTS LIST – S/N (014-28*-***-**-**)



CPM144 to CPM175

Item No	Description of item	Item Comments	CPM144	CPM175
USE IN CONJUNCTION WITH DRAWINGS 7 AND 8				
100	SIDE PANEL LEFT		LE01000315	LE01000315
101	FRONT PANEL		LE01000324	LE01000324
102	IGNITION CABLE		LE04016583	LE04016583
103	IGNITION ELECTRODE		LE04000372	LE04000372
104	MAINTENANCE SET	INCLUDES ITEMS 103,105,106,107	LE04000243	LE04000243
105	COMBUSTION CHAMBER REAR WALL INSULATION	16mm	LE04000213	LE04000213
106	BURNER DOOR OUTER SEAL		LE07004035	LE07004035
107	BURNER DOOR INSULATION		LE07010093	LE07010093
108	BURNER DOOR		LE04000056	LE04000056
109	SET OF 10 NUTS WITH FLANGE	M6	LE06023001	LE06023001
110	BURNER DOOR THERMOSTAT		LE04016667	LE04016667
111	BURNER		LE04012028	LE04012041
112	BURNER GASKET		LE07001029	LE07001029
113	SET OF SCREWS		LE06023002	LE06023002
114	GAS AIR INLET PIPE (FAN TO BURNER)		LE03000161	LE03000161
115	COMBUSTION FAN GASKET	58mm	LE07001039	LE07001039
116	COMBUSTION FAN	C/W GASKET	LE04000070	LE04000070
117	GAS/AIR MIXING BOX		LE05000090	LE05000091
118	O-RING		LE07003046	LE07003046
119	GAS VALVE		LE04000190	LE04000190
120	GAS VALVE O-RING		LE07002018	LE07002018
121	FUSE	10 PCS	LE04016582	LE04016582
122	BURNER CONTROL PCB		LE0802EN014	LE0802EN014
123	DISPLAY PCB		LE04000224	LE04000224
124	FLUE BUNG TEST POINT	Ø15mm	LE05001062	LE05001062
125	TERMINAL COVER		LE01000294	LE01000294

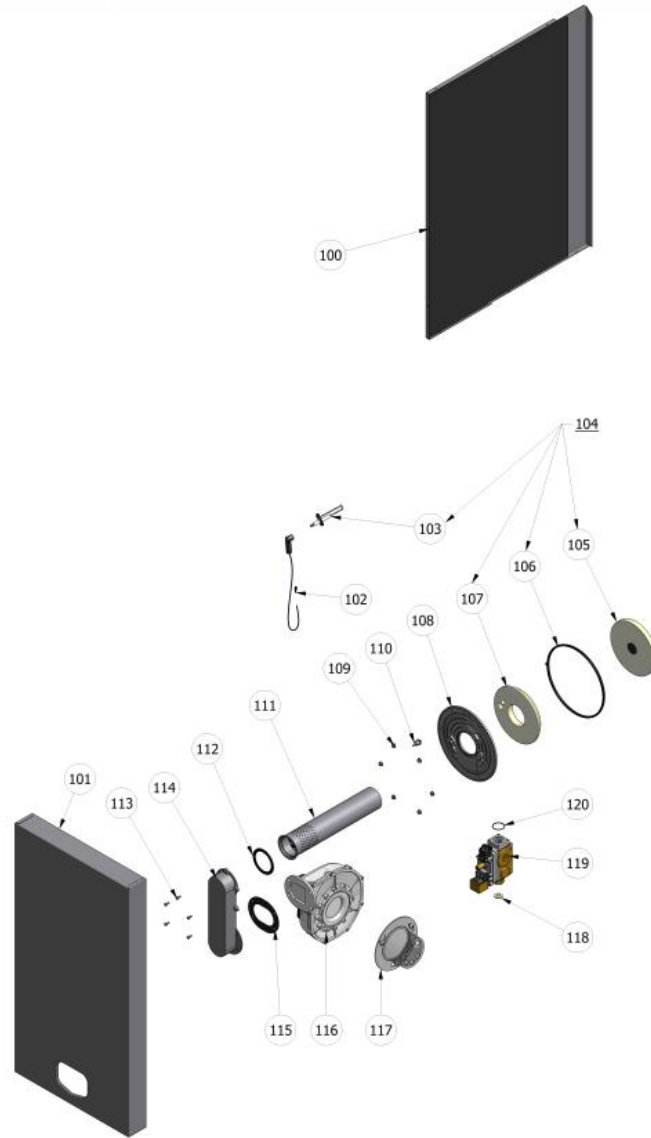
CPM REPLACEMENT PARTS LIST – S/N (014-28*-***-**-**)



CPM114 to CPM175

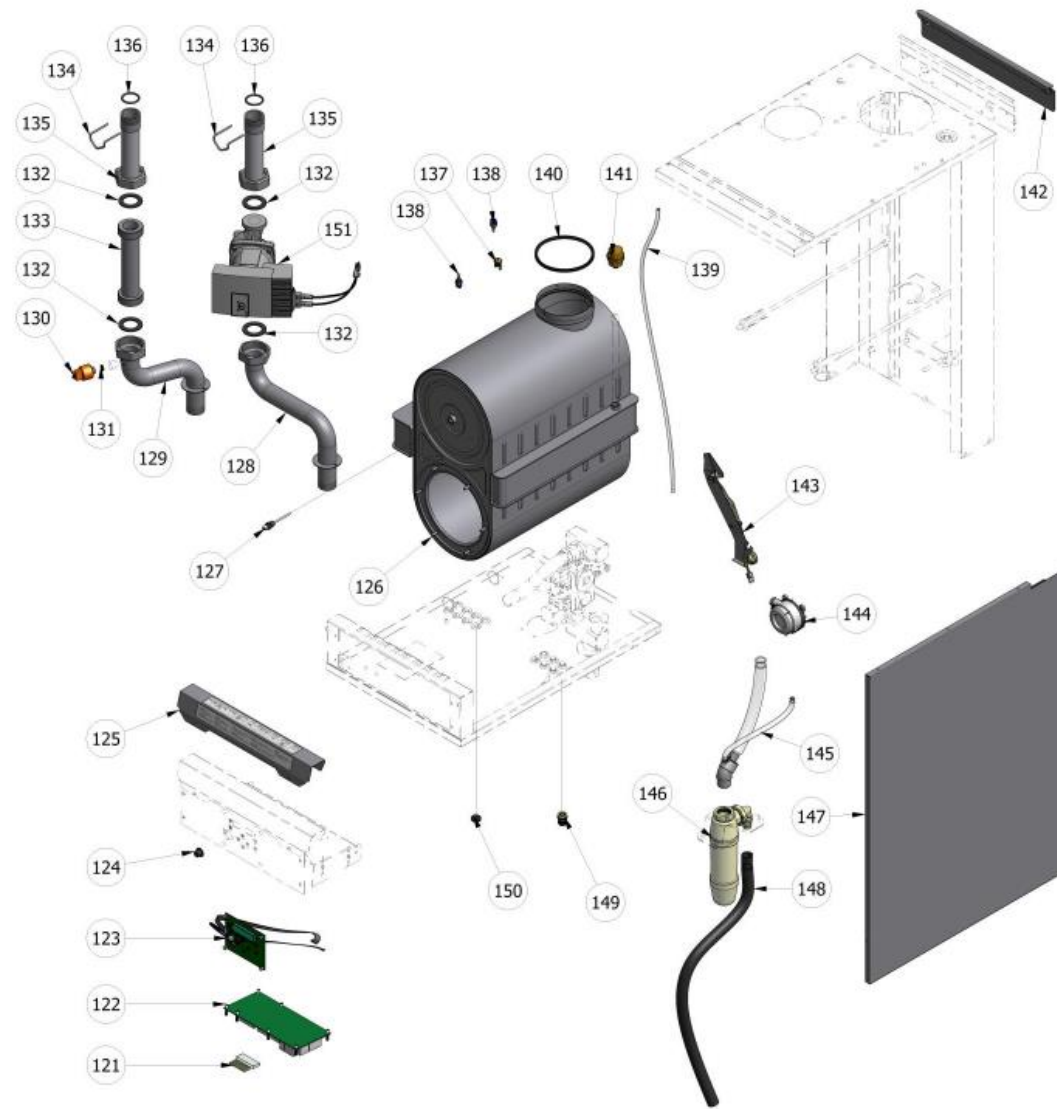
Item No	Description of item	Item Comments	CPM144	CPM175
USE IN CONJUNCTION WITH DRAWINGS 7 AND 8				
126	HEAT EXCHANGER		LE04000281	LE04000282
127	FLUE GAS SENSOR		LE04016621	LE04016621
128	RETURN PIPE 2		LE02028069	LE02028069
129	FLOW PIPE 3		LE02028068	LE02028068
130	WATER PRESSURE SENSOR		LE04000253	LE04000253
131	GASKET		LE07001107	LE07001107
132	PUMP GASKET		LE07003077	LE07003077
133	FLOW PIPE 2	C/W COUPLING	LE02028033	LE02028033
134	HEAT EXCHANGER CLIP		LE09002023	LE09002023
135	RETURN PIPE 1	C/W COUPLING	LE02000142	LE02000142
136	O-RING		LE07002034	LE07002034
137	HIGH LIMIT		LE04016274	LE04016274
138	NTC SENSOR		LE04016287	LE04016287
139	CONDENSATE HOSE		LE04007110	LE04007110
140	SEAL RING		LE07004025	LE07004025
141	AAV		LE04015008	LE04015008
142	WALL BRACKET		LE01001014	LE01001014
143	REAR WALL HIGH TEMP SENSOR		CONTACT US	CONTACT US
144	AIR PRESSURE SWITCH PRESSURE SWITCH	C/W GASKETS	LE04000305	LE04000305
145	CONNECTION PIECE SIPHON		LE05000136	LE05000136
146	SIPHON WHITE		LE05000115	LE05000115
147	SIDEPANEL RIGHT SIDE		LE01000316	LE01000316
148	CONDENSATE DRAIN HOSE		LE04007038	LE04007038
149	PG-9 SWIVEL + CABLE GLAND	8mm	LE05000064	LE05000064
150	NET CABLE 230V		LE04016142	LE04016142
151	MODULATING PUMP		LE04000420	LE04000420
152	BLIND GROMMET	18.5mm	LE04010031	LE04010031

CPM REPLACEMENT PARTS LIST – S/N (014-28*-***-**-**)



DRAWING 7

CPM REPLACEMENT PARTS LIST – S/N (014-28*-***-**-**)



DRAWING 8