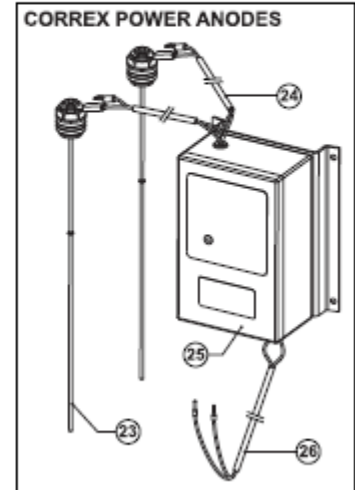
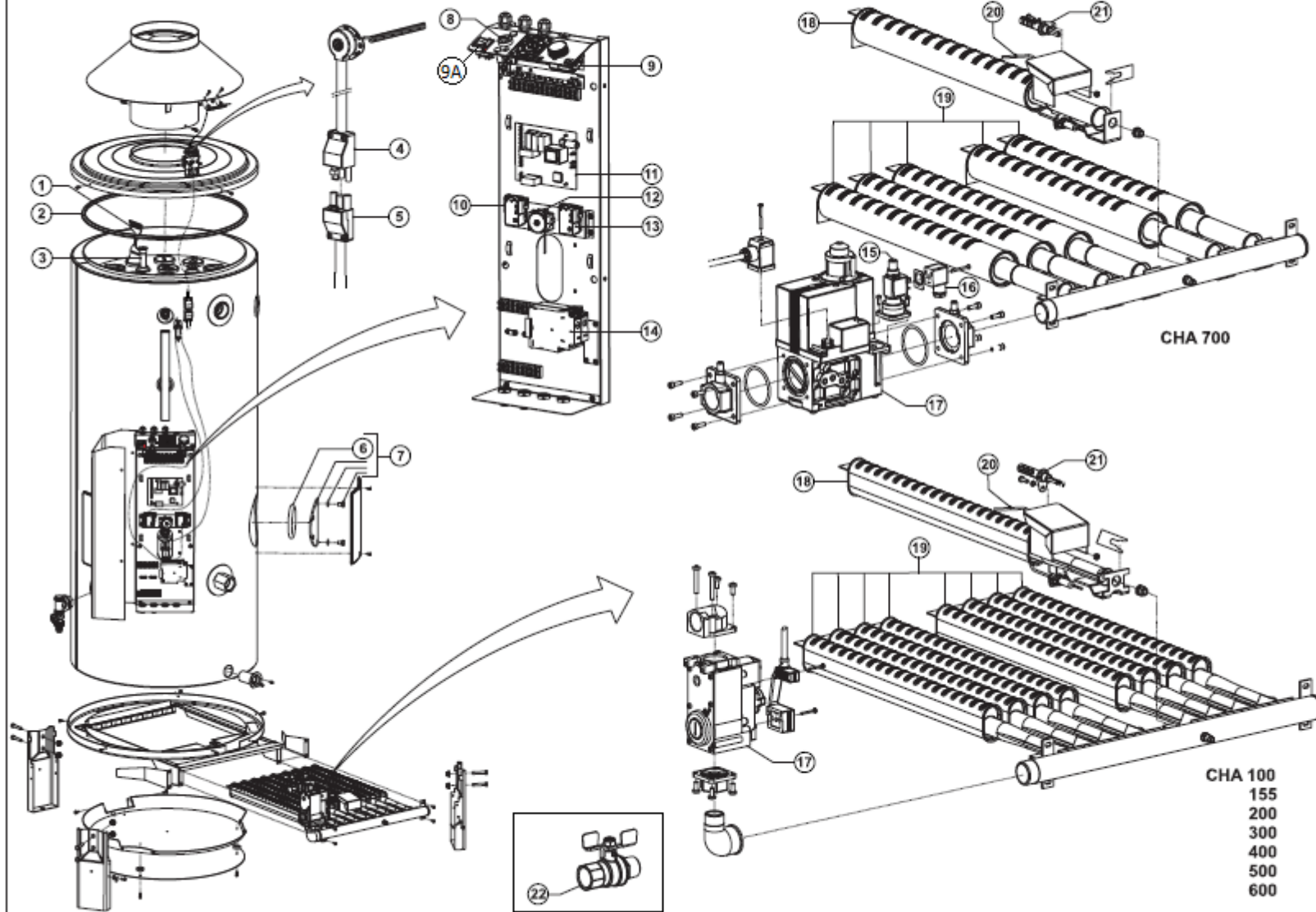


Charger Auto Spare Parts List (GCE & PGCE Models)

No	Description item	Item Comment	CHA100	CHA155	CHA200	CHA300	CHA400	CHA500	CHA600	CHA700		
1	Flue Baffle		LV068440002							-		
			-	-	-	-	-	-	-	LV191996002		
2	Sealant U-profile		LV305098									
3	Anode	Magnesium (991 mm)	LV183463039		-	-	-	LV183463039				
		Magnesium (1270 mm)	-	-	-	LV183463050		-	-	-		
	Flexible Anode	Magnesium Flexible (1126 mm)	LV304728									
4	Thermostat Roll-Out (TRS)	105°C	LV306344				-	-	-	-		
		110°C	-	-	-	-	LV306345	-	-	-		
		115°C	-	-	-	-	-	LV306346		-		
5	Connection Cable		LV305346									
6	O-ring Clean Out		LV304741									
7	Inspection Door Service Kit	Clean Out Door Service Kit	LV301125									
8	Reset Button		LV301948									
9	Control Thermostat	40-73°C	LV302989									
9A	ON/OFF Switch		LV303011									
10	High Limit Thermostat	84°C	LV302991									
11	Burner Control PCB		LV303497									
12	Overheat Thermostat	93°C	LV300674									
13	Frost Thermostat	20°C	LV302990									
14	Timer (delay)		-	-	-	-	-	-	-	LV305024		
15	High / Low Regulator	LPG	-	-	-	-	-	-	-	LV305021		
16	Connector High-Low Regulation		-	-	-	-	-	-	-	LV305022		
17	Gas Valve	Gas Valve VR4605C1144(NG)	LV300903							-	-	
		Gas Control VR4605CB1009(NG)	-	-	-	-	-	-	-	LV300808	-	
		Gas Control VR425AB1007(NG)	-	-	-	-	-	-	-	-	LV304923	
		Gas Control VR4605C1144 (BLANK PLATE)LPG	LV301099							-	-	
		Gas Control VR4605CB1009 (BLANK PLATE)LPG	-	-	-	-	-	-	-	-	LV301100	-
		Gas Control (VR425/Hi-Lo)LPG	-	-	-	-	-	-	-	-	-	LV305153
18	Ignition Burner		LV304892							-		
			-	-	-	-	-	-	-	-	LV305321	
19	Main Burner Assembly		LV304891							-		



			-	-	-	-	-	-	-	LV305010
20	Ionisation Rod									LV305407
21	Glow Igniter	(120V)								LV304242
22	Gas Isolation Valve	3/4"								LV0300719
POWER ANODE SPARE PARTS - These spare parts are for units that are factory fitted with power anodes										
23	Anode	300 mm								LV307448
24	Cable from CORREX Box to Anode									LV310544
25	CORREX box									LV310539
26	Cable from CORREX Box to Control									LV310541

Note. Use in conjunction with Drawings EVD0029



CHA 700

- CHA 100
155
200
300
400
500
600

Drawn: MS	Scale: Sketch	Date: 140212	Chg.No.: 8288	Rev: R0	
CHA 100 / 155 / 200 / 300 / 400 / 500 / 600 / 700				 Drawing Number EVD-0029	