

TTW-TTB Flue Assemblies and Ancillaries

For use with Models:

TTB410

TTB580

TTW410

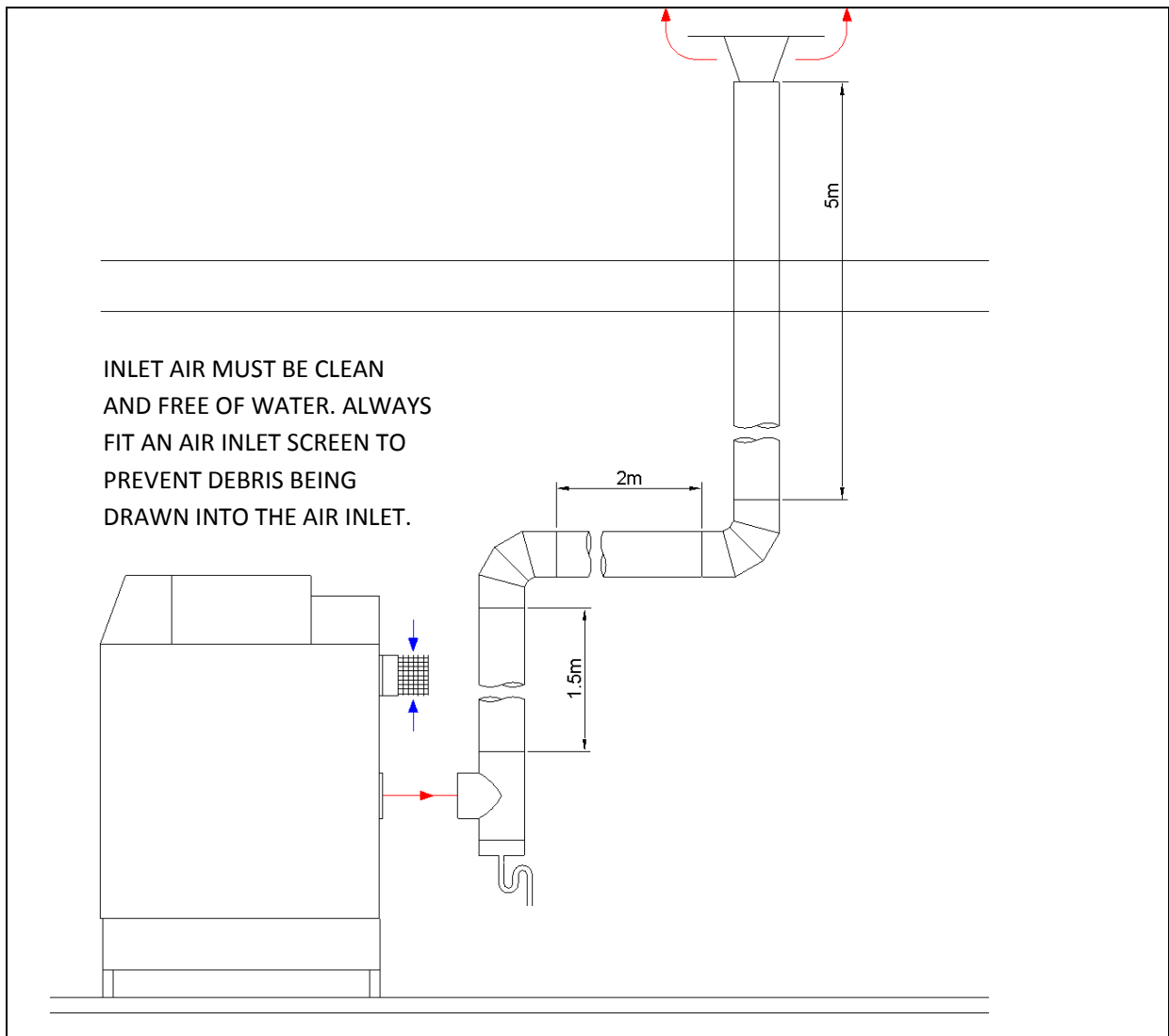
TTW580



Contents

	Page No.
Maximum flue length calculation	3
Conventional flue system TTW410,TTW580	4
Conventional flue system TTB410,TTB580	5
Twin-pipe flue system TTW410,TTW580	6
Twin-pipe flue system TTB410,TTB580	7

Maximum flue length calculation –Resistance within the flue must be less than 200Pa



Boiler type:		TTB410			
	Diameter: 180 mm.	Number	Pa	Pa total	
Flue gas	Straight tube m ¹	total	8,5	3,0	25,5
	T-piece	outlet	1	25,5	25,5
	Bend	90°	2	9,9	19,8
	Flue outlet	Zeta=1,0	1	28,3	28,3
Total resistance flue gas outlet:				99,1	
Air supply	Diameter: 180 mm.	Number	Pa	Pa total	
	Air inlet	Zeta=1,3	1	27,7	27,7
Total resistance air supply:				27,7	
Total resistance flue gas outlet and air supply:				126,8 Pa	

The total resistance is less than 200 Pa, so this is acceptable.

CONVENTIONAL FLUE ASSEMBLY MODELS

TTW410,TTW580

COMPONENTS REQUIRED TO START INSTALLATION

VERTICAL FLUE

M70439	VERTICAL TERMINAL \varnothing 200mm	1
LE400093	ECCENTRIC INCREASER \varnothing 180mm - \varnothing 200mm FOR EXHAUST	1
LE400094	AIR INLET SCREEN \varnothing 160mm SS	1

Maximum equivalent flue length -see page 3

		A=111mm,B=131mm
		A=227mm,B=195mm

Additional Flue Ancillary Items

Item No.	Description	Dimensions
LV310696	EXTENSION \varnothing 200mm PP	500mm
M70402	EXTENSION \varnothing 200mm PP	1000mm
M70404	EXTENSION \varnothing 200mm PP	2000mm
M70411	ELBOW 90° \varnothing 200mm PP	See above
M70412	BEND 45° \varnothing 200mm PP	See above
LV310677	T PIECE WITH CONDENSATE CONNECTOR \varnothing 200mm PP	n/a
M87198	WALL CLAMP \varnothing 200mm	n/a

For further information, see Installation manual available at www.lochinvar.ltd.uk

CONVENTIONAL FLUE ASSEMBLY MODELS

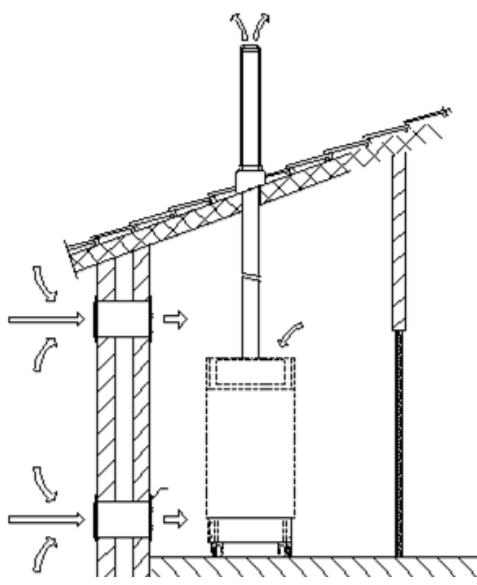
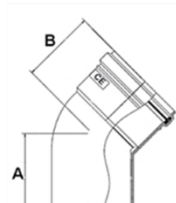
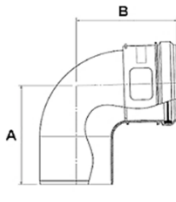
TTB410,TTB580

COMPONENTS REQUIRED TO START INSTALLATION

VERTICAL FLUE

M70439B	VERTICAL TERMINAL \varnothing 200mm	1
LE400093B	ECCENTRIC INCREASER \varnothing 180mm - \varnothing 200mm FOR EXHAUST	1
LE400094B	AIR INLET SCREEN \varnothing 160mm SS	1

Maximum equivalent flue length -see page 3

		A=111mm,B=131mm
		A=227mm,B=195mm

Additional Flue Ancillary Items

Item No.	Description	Dimensions
LV310696	EXTENSION \varnothing 200mm PP	500mm
M70402	EXTENSION \varnothing 200mm PP	1000mm
M70404	EXTENSION \varnothing 200mm PP	2000mm
M70411	ELBOW 90° \varnothing 200mm PP	See above
M70412	BEND 45° \varnothing 200mm PP	See above
LV310677	T PIECE WITH CONDENSATE CONNECTOR \varnothing 200mm PP	n/a
M87198	WALL CLAMP \varnothing 200mm	n/a

For further information, see Installation manual available at www.lochinvar.ltd.uk

TWIN-PIPE FLUE ASSEMBLY MODELS

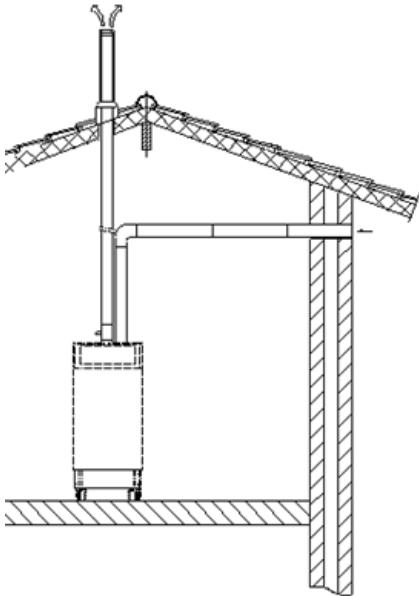
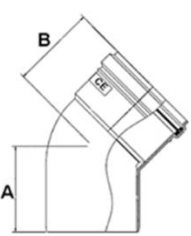
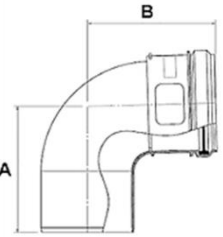
TTW410, TTW580

COMPONENTS REQUIRED TO START INSTALLATION

VERTICAL FLUE

M70439	VERTICAL TERMINAL \varnothing 200mm	1
LE400092	INCREASER \varnothing 180mm TO \varnothing 200mm FOR AIR INLET ONLY	1
LE400093	ECCENTRIC INCREASER \varnothing 180mm - \varnothing 200mm FOR EXHAUST	1
LE400096	VERTICAL TERMINAL \varnothing 200mm (AIR INLET) - PP	1

Maximum equivalent flue length -see page 3

		A=111mm, B=131mm
		A=227mm, B=195mm

Additional Flue Ancillary Items

Item No.	Description	Dimensions
LV310696	EXTENSION \varnothing 200mm PP	500mm
M70402	EXTENSION \varnothing 200mm PP	1000mm
M70404	EXTENSION \varnothing 200mm PP	2000mm
M70411	ELBOW 90° \varnothing 200mm PP	See above
M70412	BEND 45° \varnothing 200mm PP	See above
LV310677	T PIECE WITH CONDENSATE CONNECTOR \varnothing 200mm PP	n/a
M87198	WALL CLAMP \varnothing 200mm	n/a

For further information, see Installation manual available at www.lochinvar.ltd.uk

TWIN-PIPE FLUE ASSEMBLY MODELS

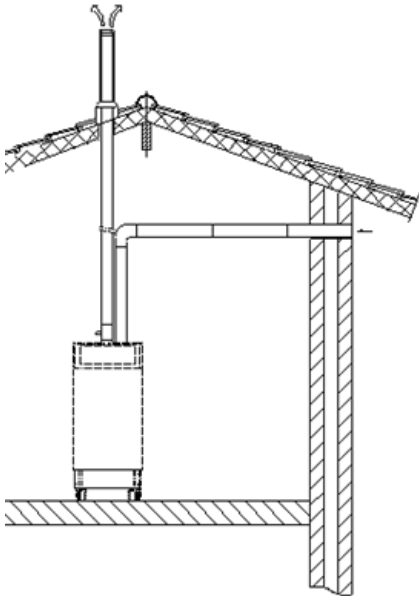
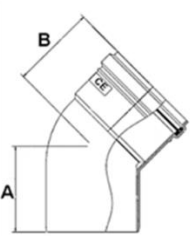
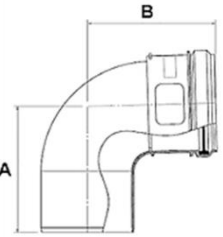
TTB410,TTB580

COMPONENTS REQUIRED TO START INSTALLATION

VERTICAL FLUE

M70439B	VERTICAL TERMINAL \varnothing 200mm	1
LE400092B	INCREASER \varnothing 180mm TO \varnothing 200mm FOR AIR INLET ONLY	1
LE400093B	ECCENTRIC INCREASER \varnothing 180mm - \varnothing 200mm FOR EXHAUST	1
LE400096B	VERTICAL TERMINAL \varnothing 200mm (AIR INLET) - PP	1

Maximum equivalent flue length -see page 3

		A=111mm,B=131mm
		A=227mm,B=195mm

Additional Flue Ancillary Items

Item No.	Description	Dimensions
LV310696	EXTENSION \varnothing 200mm PP	500mm
M70402	EXTENSION \varnothing 200mm PP	1000mm
M70404	EXTENSION \varnothing 200mm PP	2000mm
M70411	ELBOW 90° \varnothing 200mm PP	See above
M70412	BEND 45° \varnothing 200mm PP	See above
LV310677	T PIECE WITH CONDENSATE CONNECTOR \varnothing 200mm PP	n/a
M87198	WALL CLAMP \varnothing 200mm	n/a

For further information, see Installation manual available at www.lochinvar.ltd.uk



IMPORTANT INFORMATION

These instructions must be read and understood before installing, commissioning, operating or maintaining the equipment.

