

EcoSword Flue Assemblies and Ancillaries

For use with Models:

**LGC160-210GPCE
LGC160-350GPCE
LGC200-210GPCE
LGC200-350GPCE
LGC245-420GPCE
LGC245-560GPCE
LGC285-420GPCE
LGC285-560GPCE
LGC380-560GPCE**



Lochinvar[®]
HIGH EFFICIENCY BOILERS & WATER HEATERS

Contents

	Page No.
CONCENTRIC HORIZONTAL FLUE ASSEMBLY	<u>4</u>
CONCENTRIC VERTICAL FLUE ASSEMBLY	<u>5</u>
TWIN-PIPE HORIZONTAL FLUE ASSEMBLY	<u>6</u>
TWIN-PIPE VERTICAL FLUE ASSEMBLY	<u>7</u>
CONVENTIONAL VERTICAL FLUE ASSEMBLY	<u>8</u>
TWIN PIPE HORIZONTAL FLUE ASSEMBLY UTILISING SEPARATE AIR INLET AND FLUE OUTLET	<u>9</u>

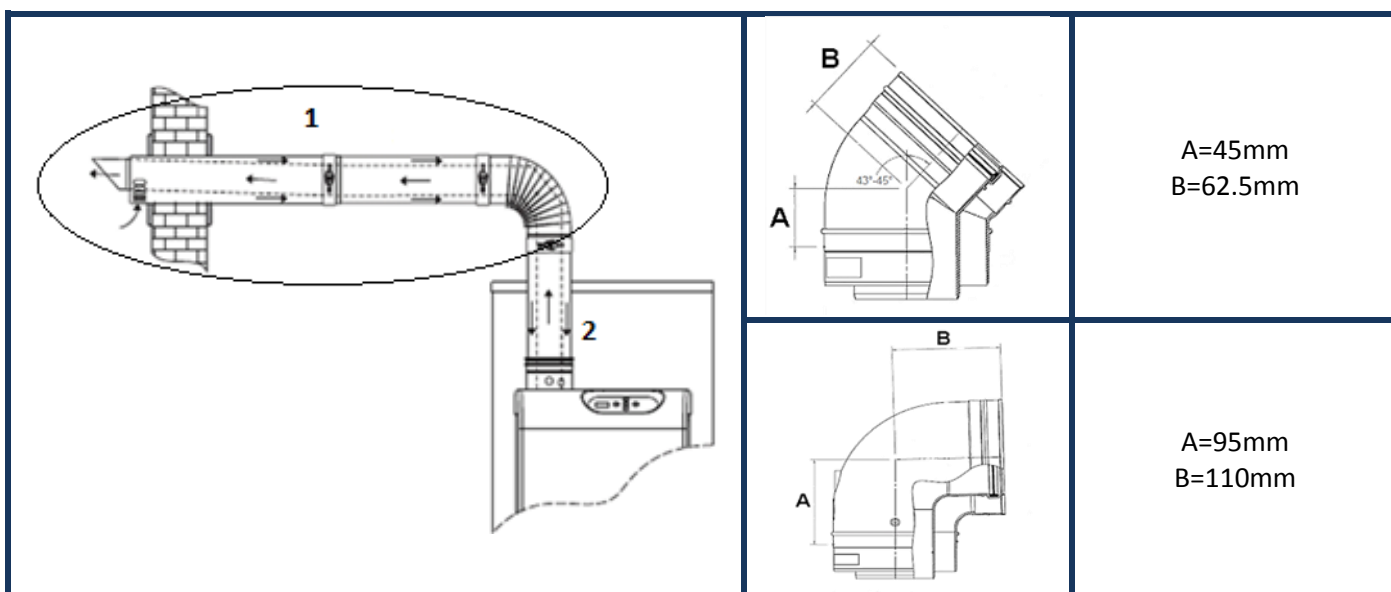
ELGH001

CONCENTRIC HORIZONTAL FLUE ASSEMBLY-ALL MODELS

COMPONENTS INCLUDED			
Item No.	Description	Number	Included
LV310759	CONCENTRIC HORIZONTAL FLUE ASSEMBLY 80/125mm PP Includes: Horizontal Concentric terminal, wall plates, 90 bend and 500mm concentric extension	1	1
LV310744	CONCENTRIC EXTENSION - \varnothing 80/125mm (280-395mm) PP TELESCOPIC	2	1

Maximum equivalent flue length =40 Metres

Maximum number of bends allowed =8



Additional Flue Ancillary Items

Item No.	Description	Dimensions
LV310740	CONCENTRIC EXTENSION \varnothing 80/125mm PP FIXED	250mm
LV310741	CONCENTRIC EXTENSION \varnothing 80/125mm PP FIXED	500mm
M84452	CONCENTRIC EXTENSION \varnothing 80/125mm PP FIXED	1000mm
LV310743	CONCENTRIC EXTENSION \varnothing 80/125mm PP FIXED	2000mm
LV310744	CONCENTRIC EXTENSION \varnothing 80/125mm PP TELESCOPIC	280 to 395mm
M84455	CONCENTRIC EXTENSION \varnothing 80/125mm PP CUT TO LENGTH	100 to 450mm
M84461	CONCENTRIC BEND 45° \varnothing 80/125mm PP	See drawing above
M84460	CONCENTRIC BEND 90° \varnothing 80/125mm PP	See drawing above
M87195	WALL CLAMP \varnothing 130	n/a

For further information, see Installation manual available at www.lochinvar.ltd.uk

ELGV001

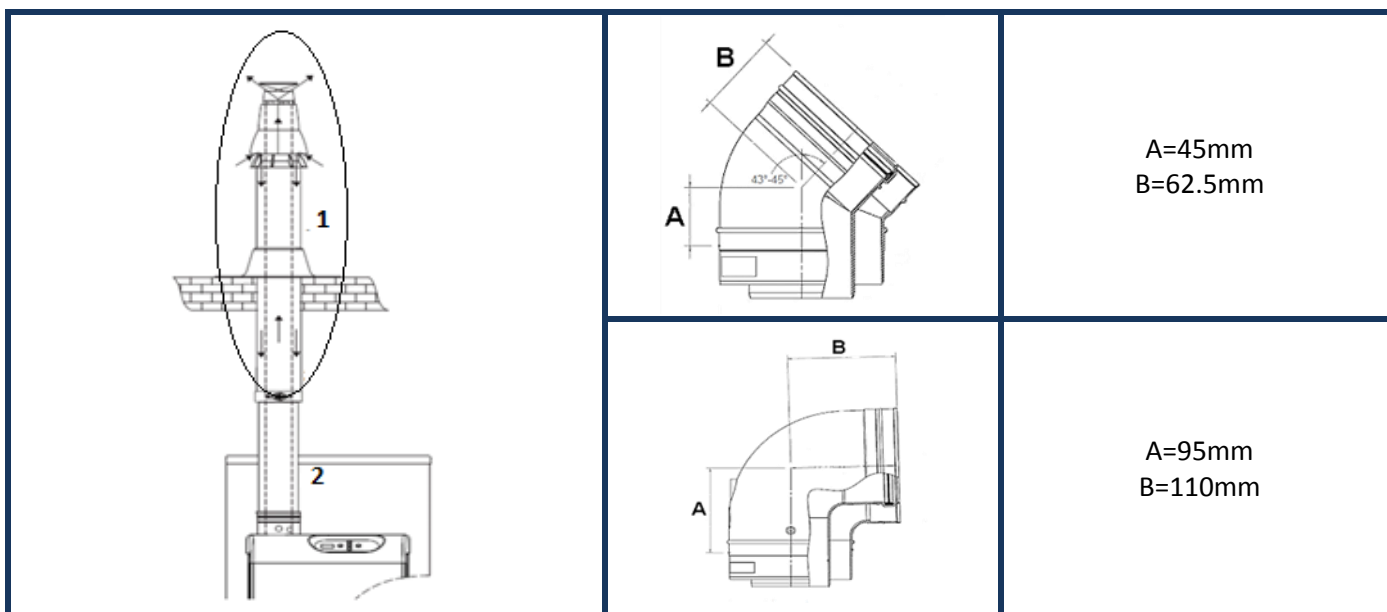
CONCENTRIC VERTICAL FLUE ASSEMBLY-ALL MODELS

COMPONENTS INCLUDED

Item No.	Description	Number	Included
LV310753	CONCENTRIC VERTICAL FLUE ASSEMBLY 80/125mm PP Includes: Vertical Concentric terminal, flat roof flashing and 1000mm concentric extension	1	1
LV310744	CONCENTRIC EXTENSION - Ø80/125mm (280-395mm) PP TELESCOPIC	2	1

Maximum equivalent flue length =40 Metres

Maximum number of bends allowed =8



Additional Flue Ancillary Items

Item No.	Description	Dimensions
LV310740	CONCENTRIC EXTENSION Ø80/125mm PP FIXED	250mm
LV310741	CONCENTRIC EXTENSION Ø80/125mm PP FIXED	500mm
M84452	CONCENTRIC EXTENSION Ø80/125mm PP FIXED	1000mm
LV310743	CONCENTRIC EXTENSION Ø80/125mm PP FIXED	2000mm
LV310744	CONCENTRIC EXTENSION Ø80/125mm PP TELESCOPIC	280 to 395mm
M84455	CONCENTRIC EXTENSION Ø80/125mm PP CUT TO LENGTH	100 to 450mm
M84461	CONCENTRIC BEND 45° Ø80/125mm PP	See drawing above
M84460	CONCENTRIC BEND 90° Ø80/125mm PP	See drawing above
M87195	WALL CLAMP Ø130	n/a

For further information, see Installation manual available at www.lochinvar.ltd.uk

ELGPH001

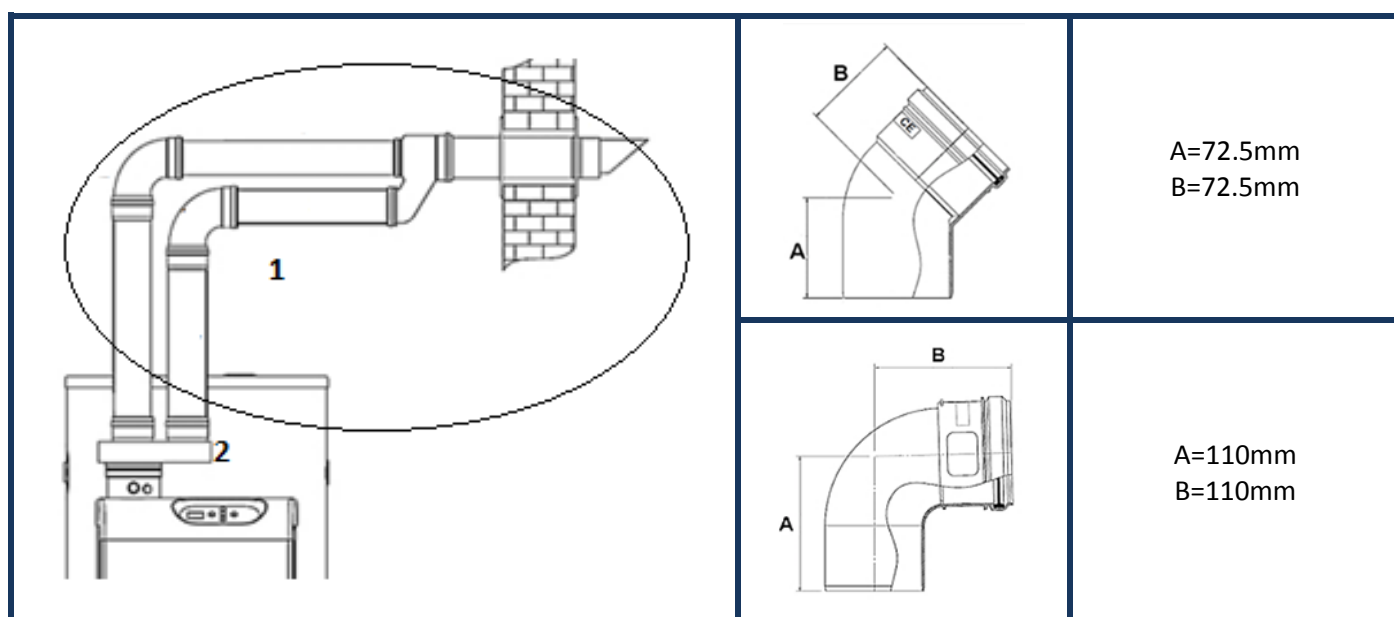
TWIN PIPE HORIZONTAL FLUE ASSEMBLY-ALL MODELS

COMPONENTS INCLUDED			
Item No.	Description	Number	Included
LV310730	TWIN PIPE HORIZONTAL FLUE ASSEMBLY Ø80/125mm-2X80mm Includes: Concentric terminal with twin pipe adapter, wall plates, 2x 80mm 90 bends, and 2x 500mm 80mm extensions	1	1
LV312209	CONCENTRIC TO TWIN PIPE ADAPTOR Ø80/125mm - 2X80mm	2	1

Maximum equivalent flue length =50 Metres

90 bend= 3.9mtr equivalent length

45 bend= 1.1mtr equivalent length



Additional Flue Ancillary Items

Item No.	Description	Dimensions
LV310718	EXTENSION 80mm PP	250mm
M85271	EXTENSION 80mm PP	500mm
M85272	EXTENSION 80mm PP	1000mm
LV310721	EXTENSION 80mm PP	2000mm
LV310722	EXTENSION Ø80mmPP TELESCOPIC	(280-395mm)
M85292	BEND 45° Ø80mm PP	See drawing above
M85291	BEND 90° Ø80mm PP	See drawing above
LV310703	BEND WITH SUPPORT 90° Ø80mm PP	n/a
LV310690	SUPPORT BRACKET FOR BEND WITH SUPPORT	n/a
M87191	WALL CLAMP - 80mm	n/a

For further information, see Installation manual available at www.lochinvar.ltd.uk

ELGPV001

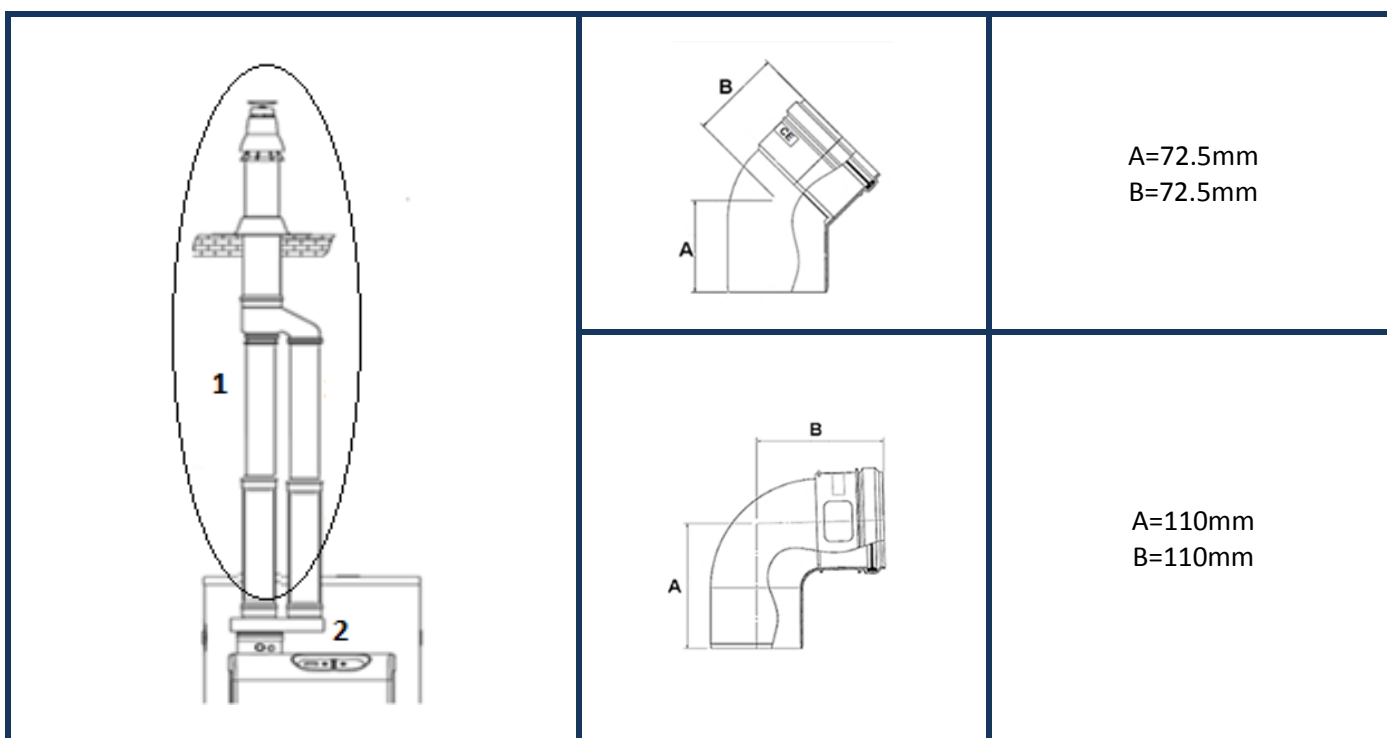
TWIN PIPE VERTICAL FLUE ASSEMBLY-ALL MODELS

COMPONENTS INCLUDED			
Item No.	Description	Number	Included
LV31071 2	TWIN PIPE VERTICAL FLUE ASSEMBLY Ø80/125mm-2X80mm Includes: Concentric terminal with twin pipe adapter, flat roof flashing and 2x 1000mm 80mm extensions	1	1
LV31220 9	CONCENTRIC TO TWIN PIPE ADAPTOR Ø80/125mm - 2X80mm	2	1

Maximum equivalent flue length =50 Metres

90 bend= 3.9mtr equivalent length

45 bend= 1.1mtr equivalent length



Additional Flue Ancillary Items

Item No.	Description	Dimensions
LV310718	EXTENSION 80mm PP	250mm
M85271	EXTENSION 80mm PP	500mm
M85272	EXTENSION 80mm PP	1000mm
LV310721	EXTENSION 80mm PP	2000mm
LV310722	EXTENSION Ø80mmPP TELESCOPIC	(280-395mm)
M85292	BEND 45° Ø80mm PP	See drawing above
M85291	BEND 90° Ø80mm PP	See drawing above
LV310703	BEND WITH SUPPORT 90° Ø80mm PP	n/a
LV310690	SUPPORT BRACKET FOR BEND WITH SUPPORT	n/a
M87191	WALL CLAMP - 80mm	n/a

For further information, see Installation manual available at www.lochinvar.ltd.uk

ELGCF001

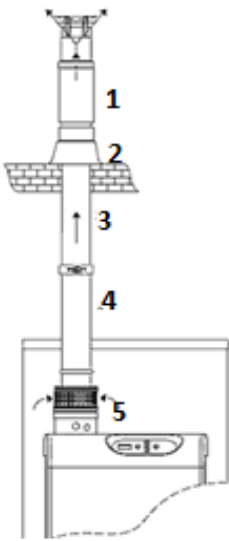
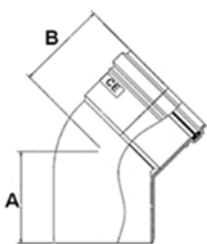
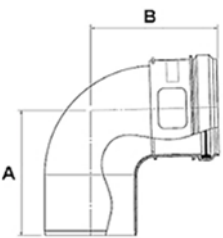
CONVENTIONAL VERTICAL FLUE ASSEMBLY-ALL MODELS

COMPONENTS INCLUDED			
Item No.	Description	Number	Included
LV310753	CONCENTRIC VERTICAL TERMINAL Ø80/125mm PP	1	1
LV302520	FLAT ROOF FLASHING Ø140mm ALU	2	1
LV310722	EXTENSION - Ø80mm PP (240-360mm) TELESCOPIC	3	2
LV310720	EXTENSION 80mm PP (1000mm)	4	2
LV305030	APPLIANCE AIR INTAKE GUARD Ø80/125mm	5	1

Maximum equivalent flue length =50 Metres

90 bend= 3.9mtr equivalent length

45 bend= 1.1mtr equivalent length

		<p>A=72.5mm B=72.5mm</p>
		<p>A=110mm B=110mm</p>

Additional Flue Ancillary Items

Item No.	Description	Dimensions
LV310718	EXTENSION 80mm PP	250mm
M85271	EXTENSION 80mm PP	500mm
M85272	EXTENSION 80mm PP	1000mm
LV310721	EXTENSION 80mm PP	2000mm
LV310722	EXTENSION Ø80mmPP TELESCOPIC	(280-395mm)
M85292	BEND 45° Ø80mm PP	See drawing above
M85291	BEND 90° Ø80mm PP	See drawing above
LV310703	BEND WITH SUPPORT 90° Ø80mm PP	n/a
LV310690	SUPPORT BRACKET FOR BEND WITH SUPPORT	n/a
M87191	WALL CLAMP - 80mm	n/a

For further information, see Installation manual available at www.lochinvar.ltd.uk

TWIN PIPE HORIZONTAL FLUE ASSEMBLY UTILISING SEPARATE AIR INLET AND FLUE OUTLET-ALL MODELS

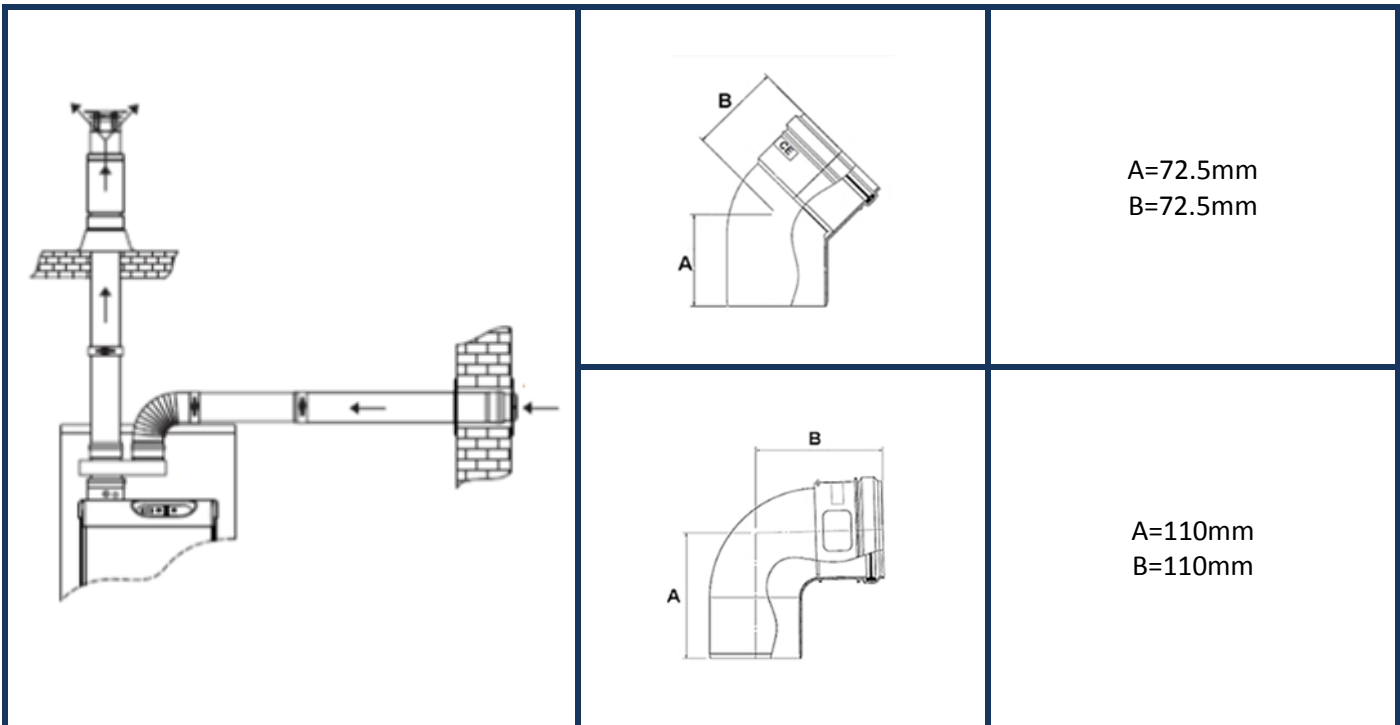
COMPONENTS REQUIRED TO START INSTALLATION

Item No.	Description	Required
LV312209	CONCENTRIC TO TWIN PIPE ADAPTOR $\varnothing 80/125\text{mm}$ - 2X80mm	1
LV305016	HORIZONTAL AIR INLET $\varnothing 80\text{mm}$	1
LV310753	CONCENTRIC VERTICAL TERMINAL $\varnothing 80/125\text{mm}$ PP	1 OR
LV310757	CONCENTRIC HORIZONTAL TERMINAL - $\varnothing 80/125\text{mm}$ PP	1

Maximum equivalent flue length =50 Metres Total air inlet and flue exhaust

Bend 90° 3.9 Meter Equivalent Flue Length

Bend 45° 1.1 Meter Equivalent Flue Length



Additional Flue Ancillary Items

Item No.	Description	Dimensions
LV310718	EXTENSION 80mm PP	250mm
M85271	EXTENSION 80mm PP	500mm
M85272	EXTENSION 80mm PP	1000mm
LV310721	EXTENSION 80mm PP	2000mm
LV310722	EXTENSION $\varnothing 80\text{mm}$ PP TELESCOPIC	(280-395mm)
M85292	BEND 45° $\varnothing 80\text{mm}$ PP	See drawing below
M85291	BEND 90° $\varnothing 80\text{mm}$ PP	See drawing below
LV310703	BEND WITH SUPPORT 90° $\varnothing 80\text{mm}$ PP	n/a
LV310690	SUPPORT BRACKET FOR BEND WITH SUPPORT	n/a
M87191	WALL CLAMP - 80mm	n/a

For further information, see Installation manual available at www.lochinvar.ltd.uk



IMPORTANT INFORMATION

These instructions must be read and understood before installing, commissioning, operating or maintaining the equipment.

