

# EcoCharger Flue Assemblies and Ancillaries

**For use with Models:**

**ECH32-220GCE**

**ECH33-370GCE**

**ECH52-370GCE**

**ECH63-370GCE**

**ECH87-480GCE**

**ECH106-480GCE**

**ECH129-480GCE**



# Contents

	<b>Page No.</b>
<b>Horizontal Concentric flue assembly</b>	<a href="#"><u>3-4</u></a>
<b>Vertical Concentric flue assembly</b>	<a href="#"><u>5-6</u></a>
<b>Horizontal Twin-pipe flue assembly-Using combined concentric terminal</b>	<a href="#"><u>7-8</u></a>
<b>Horizontal Twin-pipe flue assembly- Using separate air inlet and exhaust outlet terminals</b>	<a href="#"><u>9-10</u></a>
<b>Vertical Twin-pipe flue assembly- Using combined concentric terminal</b>	<a href="#"><u>11-12</u></a>
<b>Vertical Twin-pipe flue assembly- Using separate air inlet and exhaust outlet terminals</b>	<a href="#"><u>13-14</u></a>
<b>Conventional Flue assembly</b>	<a href="#"><u>15-16</u></a>

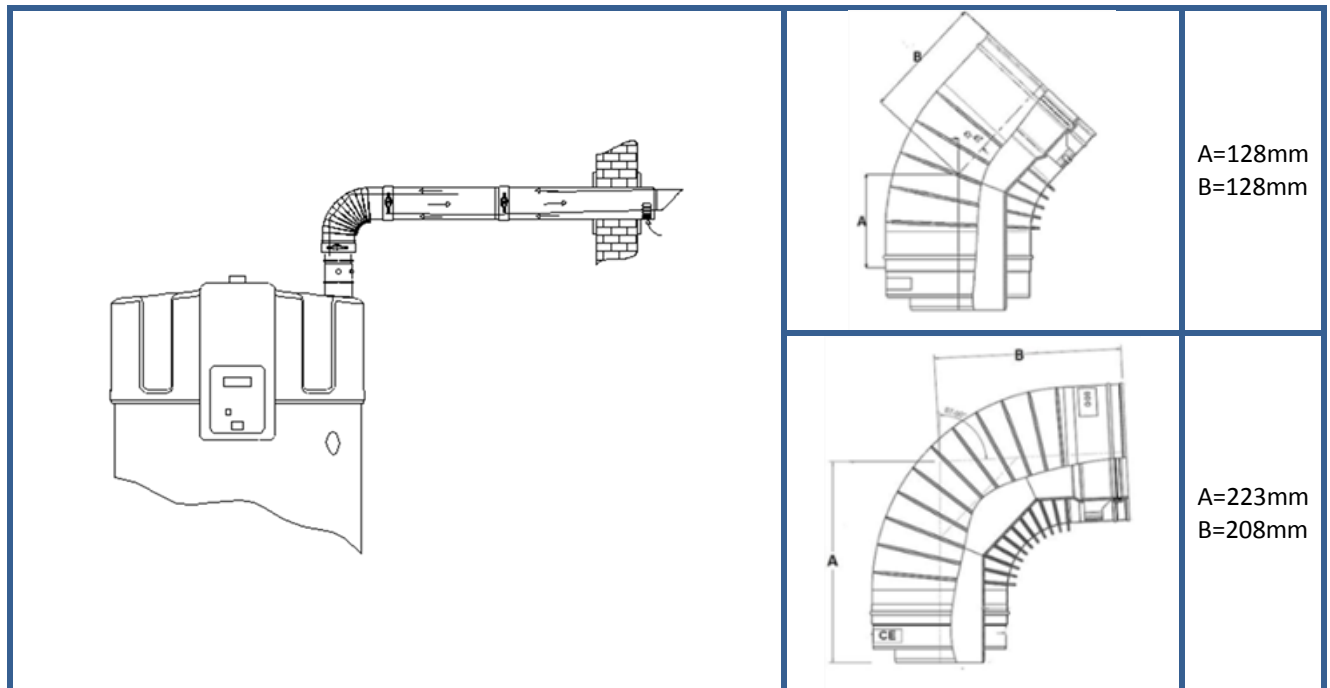
# LV302504

## CONCENTRIC HORIZONTAL FLUE ASSEMBLY-MODELS ECH32-220,ECH33-370,ECH52-370,ECH63-370

COMPONENTS INCLUDED		
Item No.	Description	Included
LV302505	CONCENTRIC HORIZONTAL TERMINAL $\varnothing$ 100/150 ALU	1
LV302499	CONCENTRIC EXTENSION $\varnothing$ 100/150 (500mm) ALU CUT TO LENGTH	1
LV302502	CONCENTRIC BEND 90° $\varnothing$ 100/150 ALU	1

Maximum equivalent flue length =40 Metres

Maximum number of bends allowed =7



### ADDITIONAL FLUE ANCILLARY ITEMS

Item No.	Description
LV303854	CONCENTRIC TEST POINT $\varnothing$ 100/150 ALU
LV302499	CONCENTRIC EXTENSION $\varnothing$ 100/150 (500mm) ALU CUT TO LENGTH
LV311450	CONCENTRIC EXTENSION $\varnothing$ 100/150mm (1000mm) ALU CUT TO LENGTH
LV311451	CONCENTRIC EXTENSION $\varnothing$ 100/150mm (1500mm) ALU CUT TO LENGTH
LV302502	CONCENTRIC BEND 90° $\varnothing$ 100/150 ALU
LV311454	CONCENTRIC BEND 45° $\varnothing$ 100/150mm ALU
M87196	WALL CLAMP $\varnothing$ 150

# LV311465

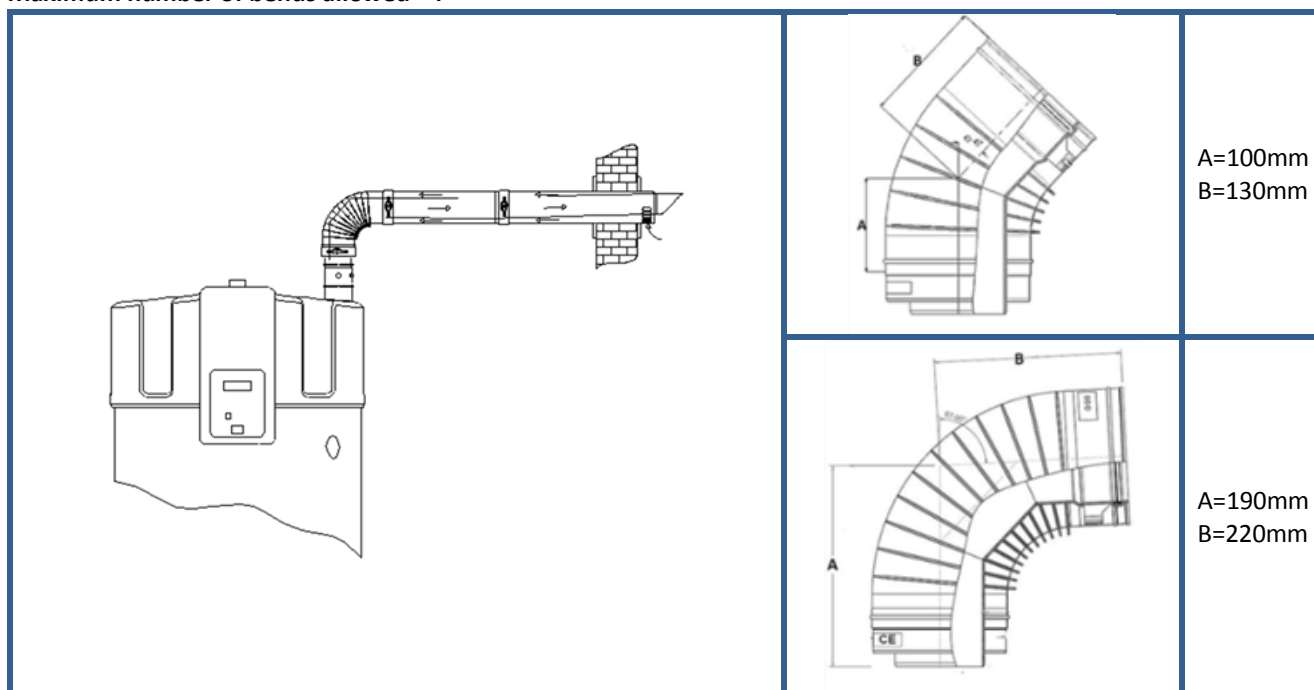
## CONCENTRIC HORIZONTAL FLUE ASSEMBLY-MODELS

ECH87-480,ECH106-480,ECH129-480

COMPONENTS INCLUDED		
Item No.	Description	Included
LV302313	CONCENTRIC HORIZONTAL TERMINAL $\varnothing$ 130/200 ALU	1
LV302301	CONCENTRIC EXTENSION $\varnothing$ 130/200 (500mm) ALU CUT TO LENGTH	1
LV311456	CONCENTRIC BEND 90° $\varnothing$ 130/200 ALU	1

Maximum equivalent flue length =15 Metres

Maximum number of bends allowed =4



### ADDITIONAL FLUE ANCILLARY ITEMS

Item No.	Description
LV303855	CONCENTRIC TEST POINT $\varnothing$ 130/200 ALU
LV302301	CONCENTRIC EXTENSION $\varnothing$ 130/200 (500mm) ALU CUT TO LENGTH
LV311452	CONCENTRIC EXTENSION $\varnothing$ 130/200mm (1000mm) ALU CUT TO LENGTH
LV302303	CONCENTRIC EXTENSION $\varnothing$ 130/200 (1500mm) ALU FIXED
LV311456	CONCENTRIC BEND 90° $\varnothing$ 130/200 ALU
LV311455	CONCENTRIC BEND 45° $\varnothing$ 130/200mm ALU
M87198	WALL CLAMP $\varnothing$ 200

# LV311463

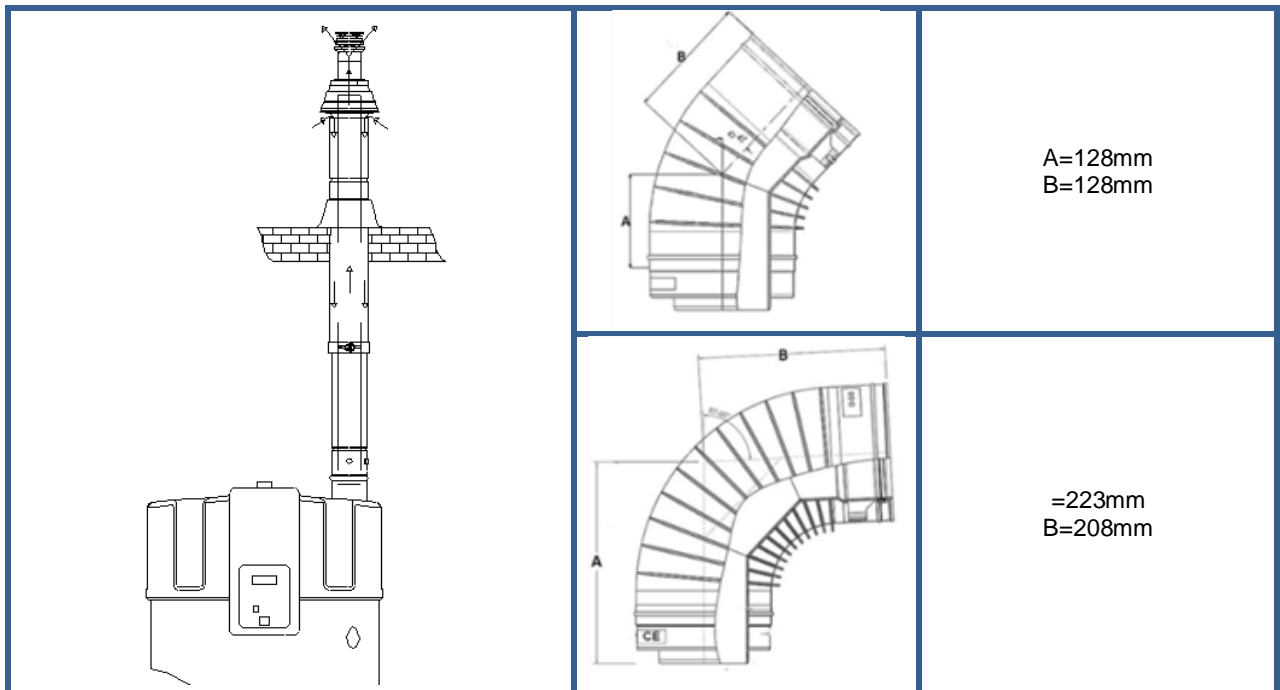
## CONCENTRIC VERTICAL FLUE ASSEMBLY-MODELS

ECH32-220,ECH33-370,ECH52-370,ECH63-370

COMPONENTS INCLUDED		
Item No.	Description	Included
LV311458	CONCENTRIC VERTICAL TERMINAL Ø100/150 ALU	1
LV311450	CONCENTRIC EXTENSION Ø100/150mm (1000mm) ALU CUT TO LENGTH	1
LV302509	ROOF FLASHING (170mm) ALU	1

Maximum equivalent flue length =40 Metres

Maximum number of bends allowed =7



### ADDITIONAL FLUE ANCILLARY ITEMS

Item No.	Description
LV303854	CONCENTRIC TEST POINT Ø100/150 ALU
LV302499	CONCENTRIC EXTENSION Ø100/150 (500mm) ALU CUT TO LENGTH
LV311450	CONCENTRIC EXTENSION Ø100/150mm (1000mm) ALU CUT TO LENGTH
LV311451	CONCENTRIC EXTENSION Ø100/150mm (1500mm) ALU CUT TO LENGTH
LV302502	CONCENTRIC BEND 90° Ø100/150 ALU
LV311454	CONCENTRIC BEND 45° Ø100/150mm ALU
M87196	WALL CLAMP Ø150
LV302509	ROOF FLASHING (170mm) ALU
LV306017	SLOPING ROOF FLASHING Ø100/150mm (25°-45°) LEAD

# LV311464

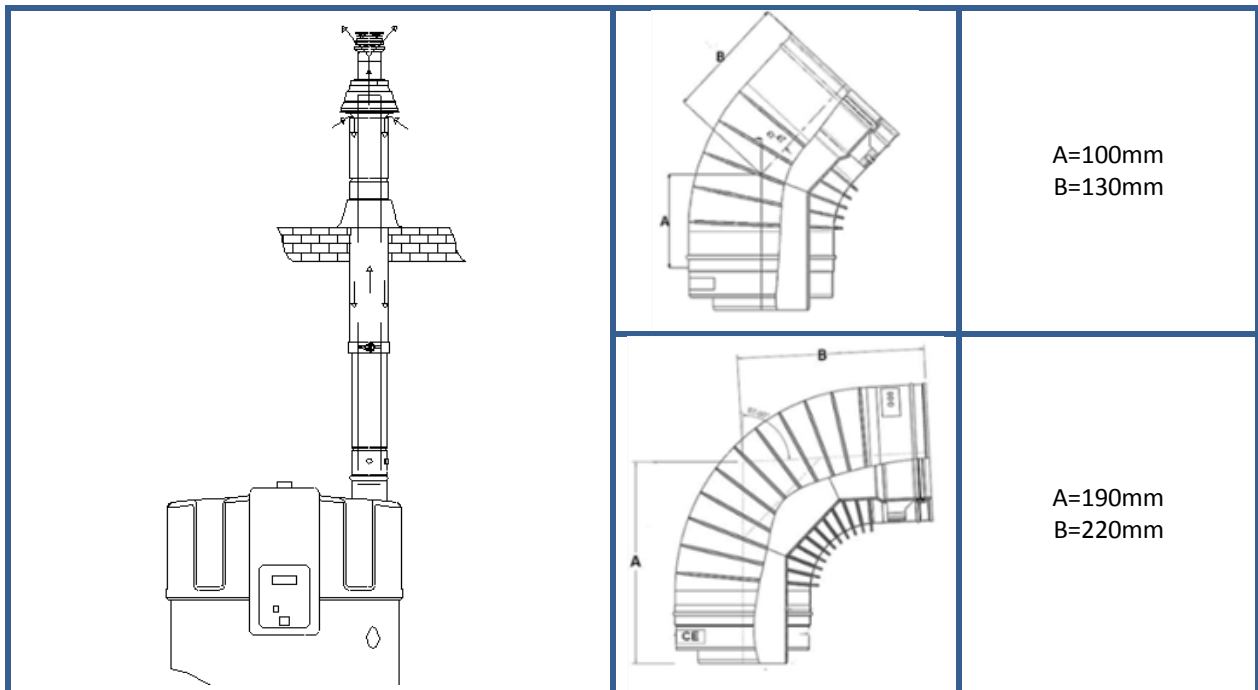
## CONCENTRIC VERTICAL FLUE ASSEMBLY-MODELS

ECH87-480,ECH106-480,ECH129-480

COMPONENTS INCLUDED		
Item No.	Description	Included
LV306390	CONCENTRIC VERTICAL TERMINAL $\varnothing$ 130/200 ALU	1
LV302301	CONCENTRIC EXTENSION $\varnothing$ 130/200 (500mm) ALU CUT TO LENGTH	1
LV302328	FLAT ROOF FLASHING (210mm) ALU	1

Maximum equivalent flue length =15 Metres

Maximum number of bends allowed =4



### ADDITIONAL FLUE ANCILLARY ITEMS

Item No.	Description
LV303855	CONCENTRIC TEST POINT $\varnothing$ 130/200 ALU
LV302301	CONCENTRIC EXTENSION $\varnothing$ 130/200 (500mm) ALU CUT TO LENGTH
LV311452	CONCENTRIC EXTENSION $\varnothing$ 130/200mm (1000mm) ALU CUT TO LENGTH
LV302303	CONCENTRIC EXTENSION $\varnothing$ 130/200 (1500mm) ALU FIXED
LV311456	CONCENTRIC BEND 90° $\varnothing$ 130/200 ALU
LV311455	CONCENTRIC BEND 45° $\varnothing$ 130/200mm ALU
M87198	WALL CLAMP $\varnothing$ 200
LV302328	ROOF FLASHING (210mm) ALU

# ECPH001

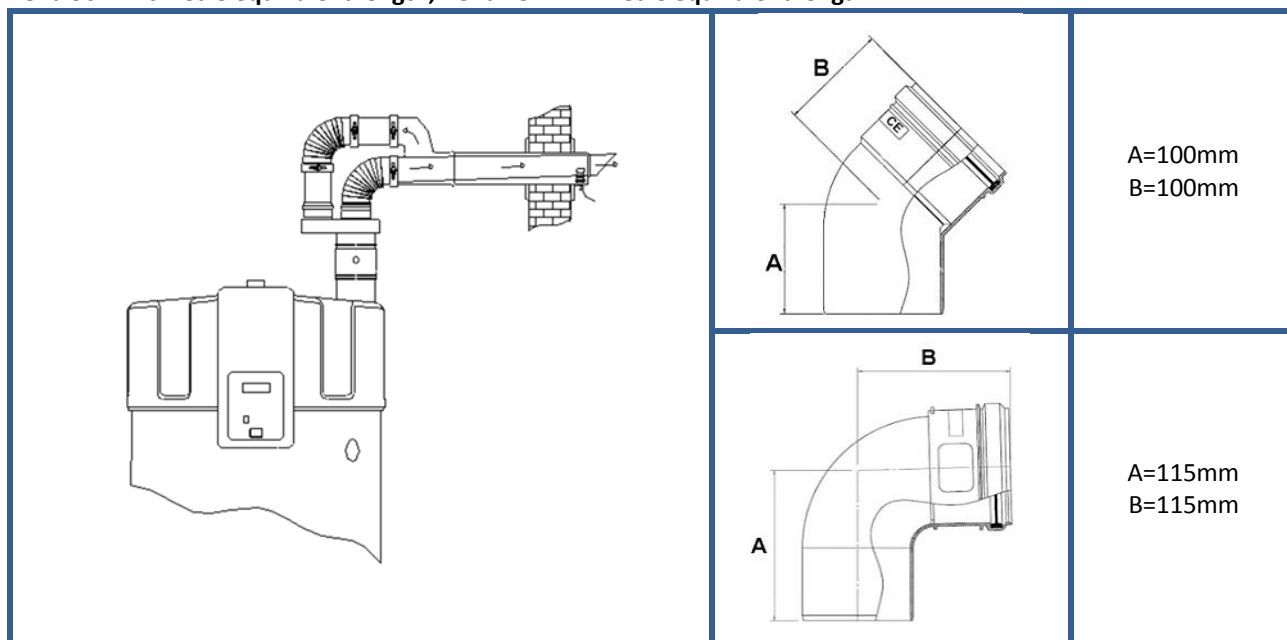
## TWIN-PIPE HORIZONTAL FLUE ASSEMBLY WITH CONCENTRIC TERMINAL

**MODELS** ECH32-220,ECH33-370,ECH52-370,ECH63-370

COMPONENTS INCLUDED		
Item No.	Description	Included
LV302505	CONCENTRIC HORIZONTAL TERMINAL $\varnothing$ 100/150 ALU	1
LV307142	TWIN PIPE TO CONCENTRIC ADAPTOR $\varnothing$ 100/100mm TO $\varnothing$ 100/150mm ALU	1
LV307161	EXTENSION $\varnothing$ 100mm(1000mm) ALU CUT TO LENGTH	2
LV307164	BEND 90° $\varnothing$ 100mm ALU	2
LV304204	CONCENTRIC TO TWIN PIPE ADAPTOR $\varnothing$ 100/150mm TO $\varnothing$ 100/100mm ALU	1

Maximum equivalent flue length =55 Metres

Bend 90° =4.6metre equivalent length, Bend 45° = 1.2metre equivalent length



### ADDITIONAL FLUE ANCILLARY ITEMS

Item No.	Description
LV307160	EXTENSION $\varnothing$ 100mm(500mm) ALU CUT TO LENGTH
LV307161	EXTENSION $\varnothing$ 100mm(1000mm) ALU CUT TO LENGTH
LV307164	BEND 90° $\varnothing$ 100mm ALU
LV310197	BEND 45° $\varnothing$ 100mm ALU
M87193	WALL CLAMP $\varnothing$ 100mm

# ECPH002

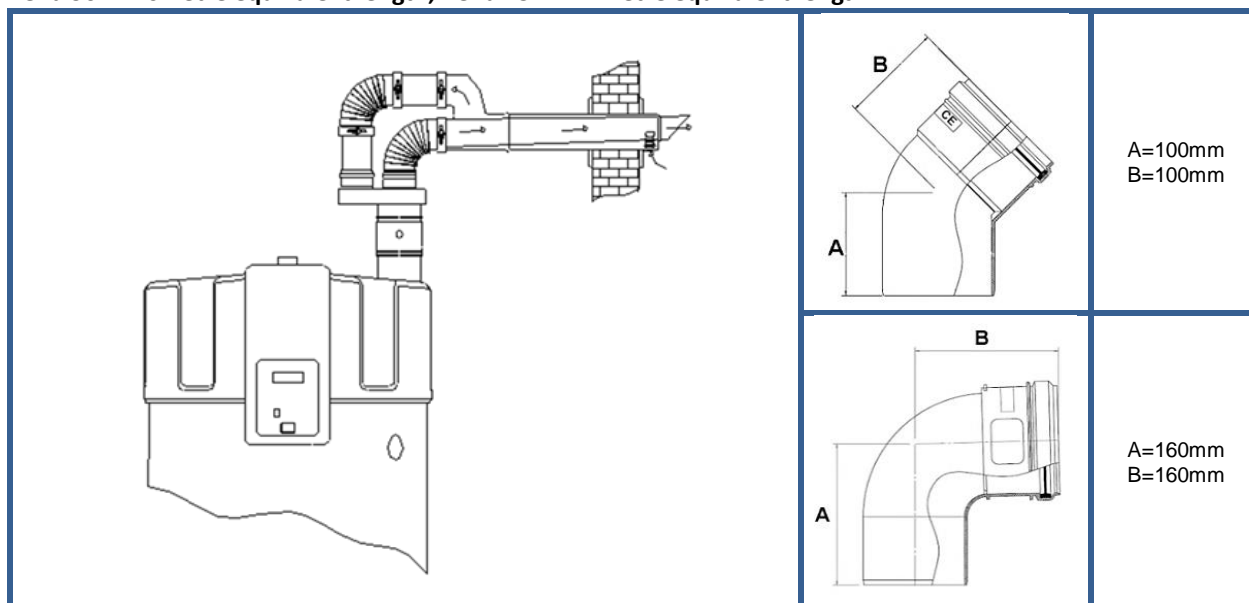
## TWIN-PIPE HORIZONTAL FLUE ASSEMBLY WITH CONCENTRIC TERMINAL

**MODELS** ECH87-480,ECH106-480,ECH129-480

COMPONENTS INCLUDED		
Item No.	Description	Included
LV306803	CONCENTRIC HORIZONTAL TERMINAL $\varnothing$ 130/200mm ALU	1
LV306801	TWIN PIPE TO CONCENTRIC ADAPTOR $\varnothing$ 130/130mm TO $\varnothing$ 130/200mm ALU	1
LV306804	EXTENSION $\varnothing$ 130mm(500mm) ALU CUT TO LENGTH	2
LV306805	BEND 90° $\varnothing$ 130mm ALU	2
LV309605	CONCENTRIC TO TWIN PIPE ADAPTOR $\varnothing$ 130/200mm TO $\varnothing$ 130/130mm ALU	1

**Maximum equivalent flue length =65 Metres**

**Bend 90° =4.6metre equivalent length, Bend 45° = 1.2metre equivalent length**



### ADDITIONAL FLUE ANCILLARY ITEMS

Item No.	Description
LV306804	EXTENSION $\varnothing$ 130mm(500mm) ALU CUT TO LENGTH
LV306802	EXTENSION $\varnothing$ 130mm(1000mm) ALU CUT TO LENGTH
LV306805	BEND 90° $\varnothing$ 130mm ALU
LV308026	BEND 45° $\varnothing$ 130mm ALU
M87196	WALL CLAMP $\varnothing$ 150



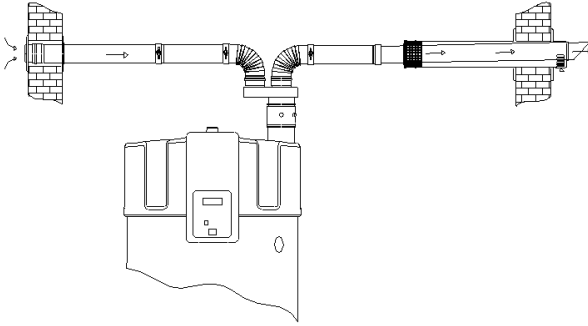
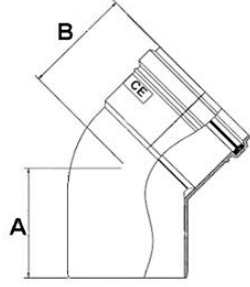
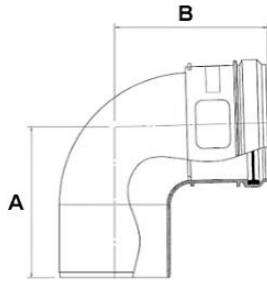
# ECPH003

## TWIN-PIPE HORIZONTAL FLUE ASSEMBLY-MODELS ECH32-220,ECH33-370,ECH52-370,ECH63-370

COMPONENTS INCLUDED		
Item No.	Description	Included
LV302505	CONCENTRIC HORIZONTAL TERMINAL Ø100/150 ALU	1
LV307161	EXTENSION Ø100mm(1000mm) ALU CUT TO LENGTH	2
LV305039	HORIZONTAL TERMINAL Ø100mm ALU	1
LV307164	BEND 90° Ø100mm ALU	2
LV304204	CONCENTRIC TO TWIN PIPE ADAPTOR Ø100/150mm TO Ø100/100mm ALU	1

Maximum equivalent flue length =55 Metres

Bend 90° =4.6metre equivalent length, Bend 45° = 1.2metre equivalent length

		<p>A=100mm B=100mm</p>
		<p>A=115mm B=115mm</p>

### ADDITIONAL FLUE ANCILLARY ITEMS

Item No.	Description
LV307160	EXTENSION Ø100mm(500mm) ALU CUT TO LENGTH
LV307161	EXTENSION Ø100mm(1000mm) ALU CUT TO LENGTH
LV307164	BEND 90° Ø100mm ALU
LV310197	BEND 45° Ø100mm ALU
M87193	WALL CLAMP Ø100mm

# ECPH004

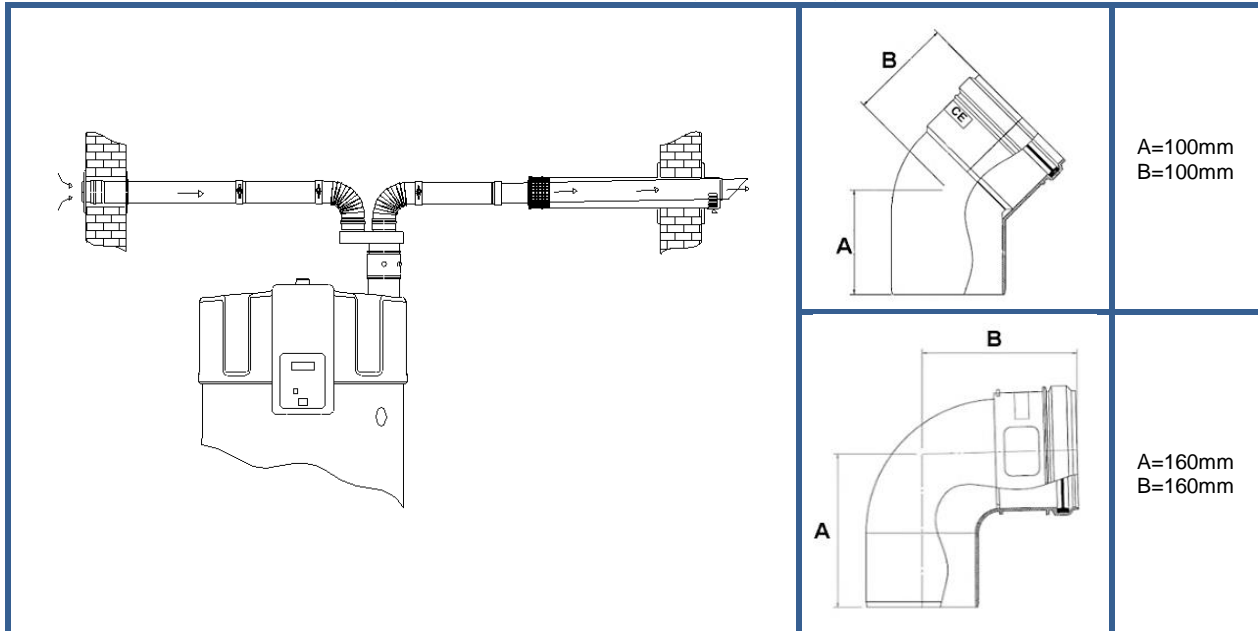
## TWIN-PIPE HORIZONTAL FLUE ASSEMBLY-MODELS

ECH87-480,ECH106-480,ECH129-480

COMPONENTS INCLUDED		
Item No.	Description	Included
LV302313	CONCENTRIC HORIZONTAL TERMINAL Ø130/200 ALU	1
LV306804	EXTENSION Ø130mm(500mm) ALU CUT TO LENGTH	2
LV307178	HORIZONTAL TERMINAL Ø130mm ALU	1
LV306805	BEND 90° Ø130mm ALU	2
LV309605	CONCENTRIC TO TWIN PIPE ADAPTOR Ø130/200mm TO Ø130/130mm ALU	1

**Maximum equivalent flue length =65 Metres**

**Bend 90° =2.4metre equivalent length, Bend 45° = 1.4metre equivalent length**



### ADDITIONAL FLUE ANCILLARY ITEMS

Item No.	Description
LV306804	EXTENSION Ø130mm(500mm) ALU CUT TO LENGTH
LV306802	EXTENSION Ø130mm(1000mm) ALU CUT TO LENGTH
LV306805	BEND 90° Ø130mm ALU
LV308026	BEND 45° Ø130mm ALU

# ECPV001

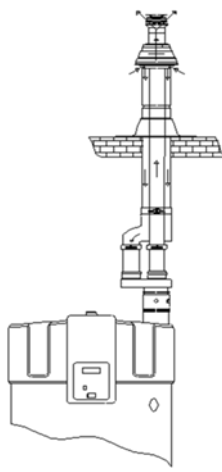
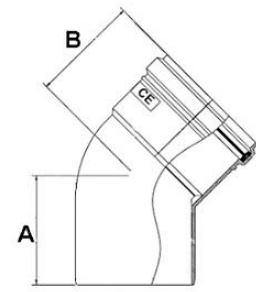
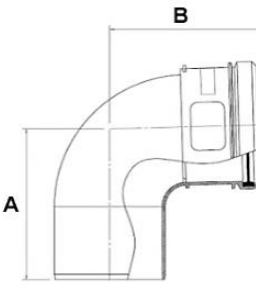
## TWIN-PIPE VERTICAL FLUE ASSEMBLY WITH CONCENTRIC TERMINAL

**MODELS** ECH32-220,ECH33-370,ECH52-370,ECH63-370

COMPONENTS INCLUDED		
Item No.	Description	Included
LV311458	CONCENTRIC VERTICAL TERMINAL $\varnothing$ 100/150 ALU	1
LV307142	TWIN PIPE TO CONCENTRIC ADAPTOR $\varnothing$ 100/100mm TO $\varnothing$ 100/150mm ALU	1
LV307160	EXTENSION $\varnothing$ 100mm(500mm) ALU CUT TO LENGTH	2
LV304204	CONCENTRIC TO TWIN PIPE ADAPTOR $\varnothing$ 100/150mm TO $\varnothing$ 100/100mm ALU	1

**Maximum equivalent flue length =55 Metres**

**Bend 90° =4.6metre equivalent length, Bend 45° = 1.2metre equivalent length**

		<p>A=100mm B=100mm</p>
		<p>A=115mm B=115mm</p>

### ADDITIONAL FLUE ANCILLARY ITEMS

Item No.	Description
LV307160	EXTENSION $\varnothing$ 100mm(500mm) ALU CUT TO LENGTH
LV307161	EXTENSION $\varnothing$ 100mm(1000mm) ALU CUT TO LENGTH
LV307164	BEND 90° $\varnothing$ 100mm ALU
LV310197	BEND 45° $\varnothing$ 100mm ALU
LV302520	ROOF FLASHING (140mm) ALU
M87193	WALL CLAMP $\varnothing$ 100mm

# ECPV002

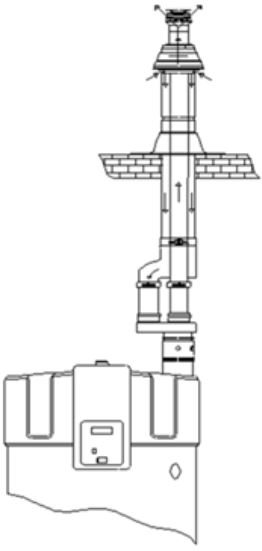
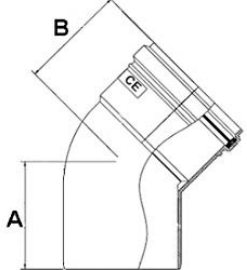
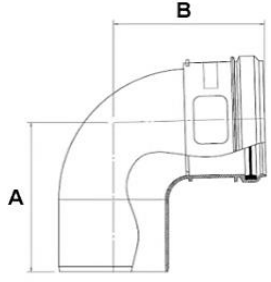
## TWIN-PIPE VERTICAL FLUE ASSEMBLY WITH CONCENTRIC TERMINAL

**MODELS** ECH87-480,ECH106-480,ECH129-480

COMPONENTS INCLUDED		
Item No.	Description	Included
LV306800	CONCENTRIC VERTICAL TERMINAL Ø130/200 ALU	1
LV306801	TWIN PIPE TO CONCENTRIC ADAPTOR Ø130/130mm TO Ø130/200mm ALU	1
LV306804	EXTENSION Ø130mm(500mm) ALU CUT TO LENGTH	2
LV309605	CONCENTRIC TO TWIN PIPE ADAPTOR Ø130/200mm TO Ø130/130mm ALU	1

**Maximum equivalent flue length =65 Metres**

**Bend 90° =2.4metre equivalent length, Bend 45° = 1.4metre equivalent length**

		<p>A=100mm B=100mm</p>
		<p>A=160mm B=160mm</p>

### ADDITIONAL FLUE ANCILLARY ITEMS

Item No.	Description
LV306804	EXTENSION Ø130mm(500mm) ALU CUT TO LENGTH
LV306802	EXTENSION Ø130mm(1000mm) ALU CUT TO LENGTH
LV306805	BEND 90° Ø130mm ALU
LV308026	BEND 45° Ø130mm ALU
LV302520	ROOF FLASHING (140mm) ALU
M87193	WALL CLAMP Ø100mm

# ECPV003

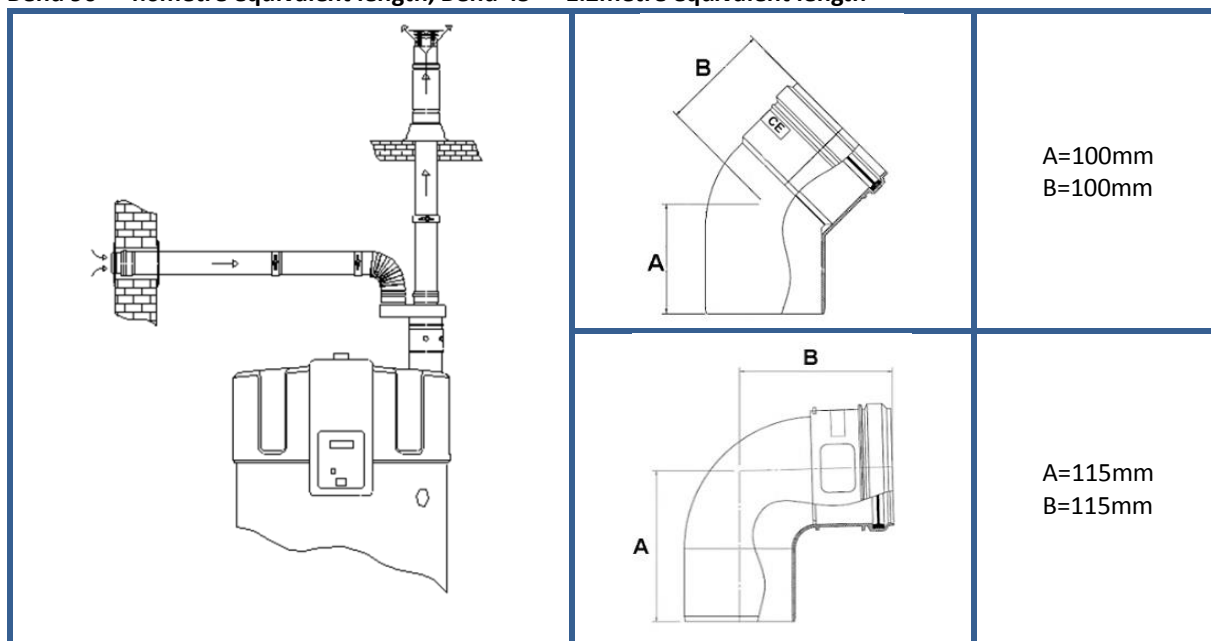
## TWIN-PIPE VERTICAL FLUE ASSEMBLY-MODELS

ECH32-220,ECH33-370,ECH52-370,ECH63-370

COMPONENTS INCLUDED		
Item No.	Description	Included
LV305040	VERTICAL TERMINAL Ø100mm ALU	1
LV305039	HORIZONTAL TERMINAL Ø100mm ALU	1
LV307160	EXTENSION Ø100mm(500mm) ALU CUT TO LENGTH	2
LV307164	BEND 90° Ø100mm ALU A=115mm,B=115mm	1
LV310197	BEND 45° Ø100mm ALU A=100mm,B=100mm	1
LV304204	CONCENTRIC TO TWIN PIPE ADAPTOR Ø100/150mm TO Ø100/100mm ALU	1

**Maximum equivalent flue length =55 Metres**

**Bend 90° =4.6metre equivalent length, Bend 45° = 1.2metre equivalent length**



### ADDITIONAL FLUE ANCILLARY ITEMS

Item No.	Description
LV307160	EXTENSION Ø100mm(500mm) ALU CUT TO LENGTH
LV307161	EXTENSION Ø100mm(1000mm) ALU CUT TO LENGTH
LV307164	BEND 90° Ø100mm ALU
LV310197	BEND 45° Ø100mm ALU
LV302520	ROOF FLASHING (140mm) ALU
M87193	WALL CLAMP Ø100mm

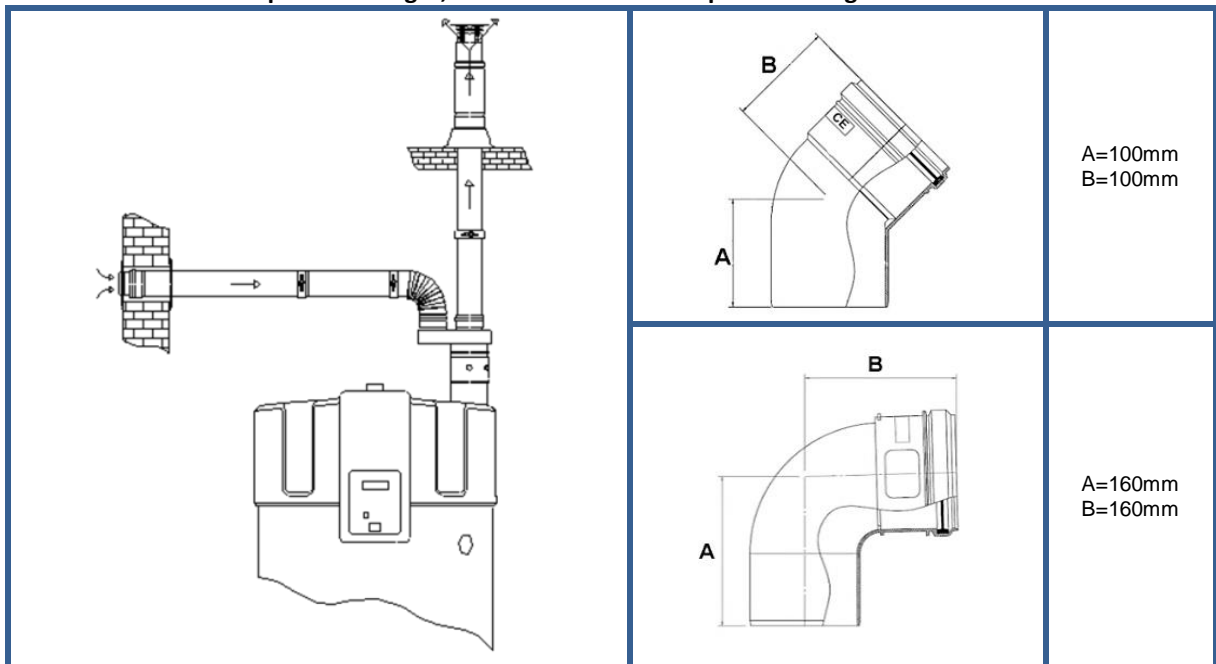
# ECPV004

## TWIN-PIPE VERTICAL FLUE ASSEMBLY-MODELS ECH87-480,ECH106-480,ECH129-480

COMPONENTS INCLUDED		
Item No.	Description	Included
LV307175	VERTICAL TERMINAL Ø130mm ALU	1
LV306804	EXTENSION Ø130mm(500mm) ALU CUT TO LENGTH	2
LV307178	HORIZONTAL TERMINAL Ø130mm ALU	1
LV306805	BEND 90° Ø130mm ALU	1
LV309605	CONCENTRIC TO TWIN PIPE ADAPTOR Ø130/200mm TO Ø130/130mm ALU	1

Maximum equivalent flue length =65 Metres

Bend 90° =2.4metre equivalent length, Bend 45° = 1.4metre equivalent length



### ADDITIONAL FLUE ANCILLARY ITEMS

Item No.	Description
LV306804	EXTENSION Ø130mm(500mm) ALU CUT TO LENGTH
LV306802	EXTENSION Ø130mm(1000mm) ALU CUT TO LENGTH
LV306805	BEND 90° Ø130mm ALU
LV308026	BEND 45° Ø130mm ALU
LV302520	ROOF FLASHING (140mm) ALU
M87195	WALL CLAMP Ø130mm

# ECCV001

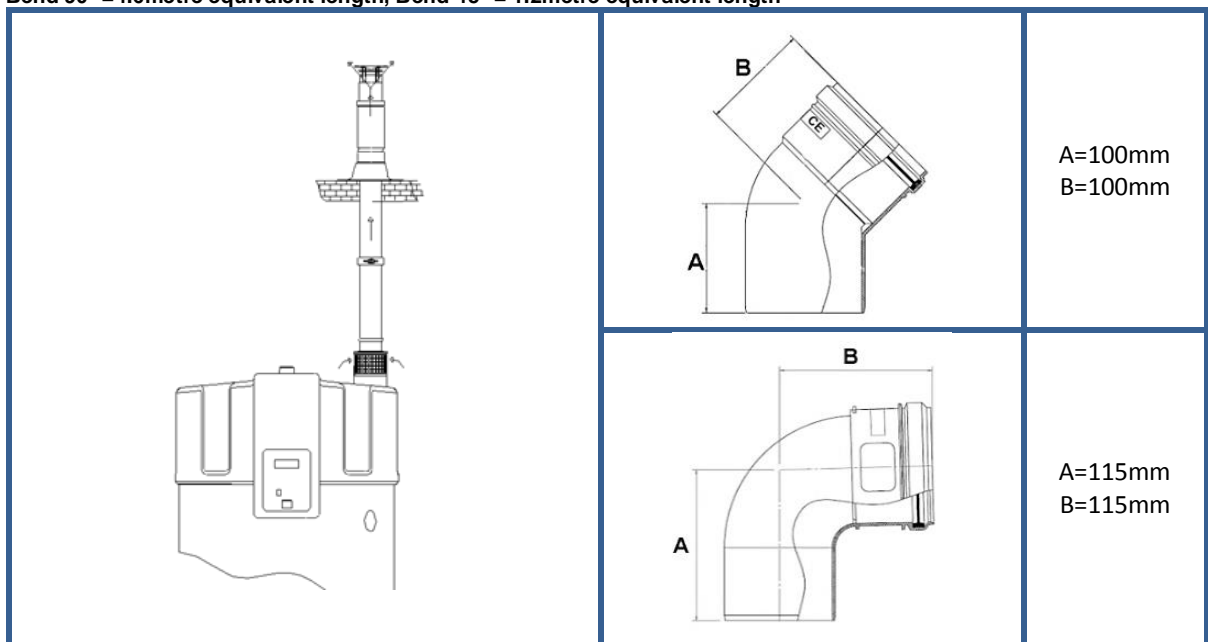
## CONVENTIONAL VERTICAL FLUE ASSEMBLY-MODELS

ECH32-220,ECH33-370,ECH52-370,ECH63-370

COMPONENTS INCLUDED		
Item No.	Description	Included
LV305040	VERTICAL TERMINAL Ø100mm ALU	1
LV307160	EXTENSION Ø100mm(500mm) ALU CUT TO LENGTH	2
LV304872	APPLIANCE AIR INTAKE GUARD Ø100	1

Maximum equivalent flue length =55 Metres

Bend 90° =4.6metre equivalent length, Bend 45° = 1.2metre equivalent length



### ADDITIONAL FLUE ANCILLARY ITEMS

Item No.	Description
LV307160	EXTENSION Ø100mm(500mm) ALU CUT TO LENGTH
LV307161	EXTENSION Ø100mm(1000mm) ALU CUT TO LENGTH
LV307164	BEND 90° Ø100mm ALU
LV310197	BEND 45° Ø100mm ALU
LV302520	ROOF FLASHING (140mm) ALU
M87193	WALL CLAMP Ø100mm

# ECCV002

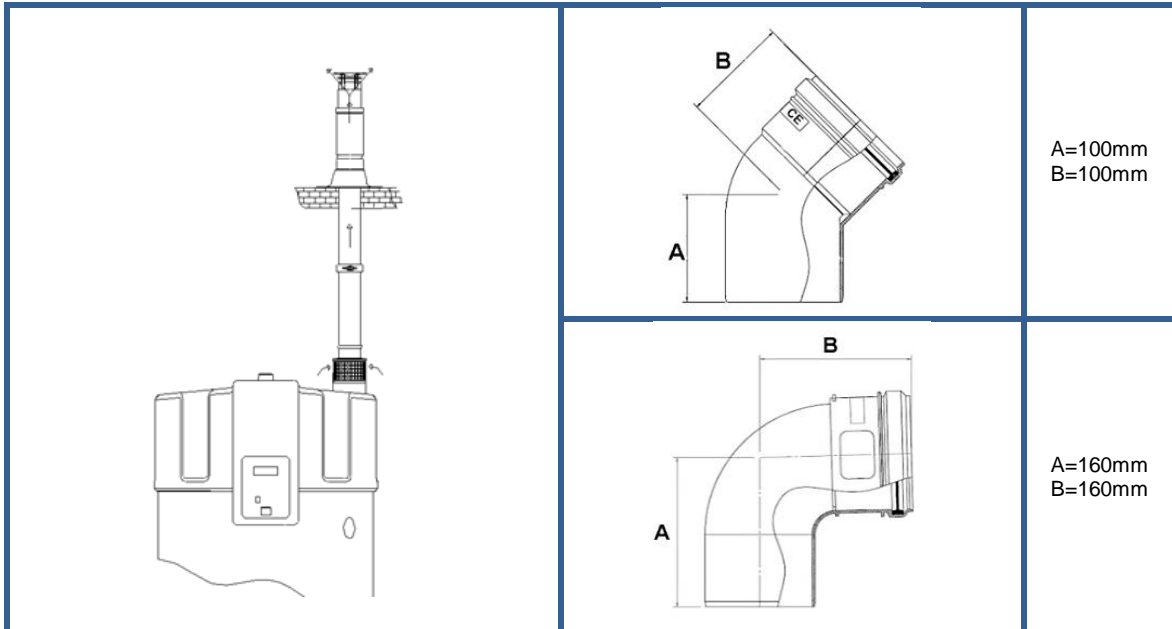
## CONVENTIONAL VERTICAL FLUE ASSEMBLY-MODELS ECH87-480,ECH106-480,ECH129-480

### COMPONENTS INCLUDED

Item No.	Description	Included
LV307175	VERTICAL TERMINAL Ø130mm ALU	1
LV306804	EXTENSION Ø130mm(500mm) ALU CUT TO LENGTH	2
LV307176	APPLIANCE AIR INTAKE GUARD Ø130mm ALU	1

**Maximum equivalent flue length =65 Metres**

**Bend 90° =2.4metre equivalent length, Bend 45° = 1.4metre equivalent length**



### ADDITIONAL FLUE ANCILLARY ITEMS

Item No.	Description
LV306804	EXTENSION Ø130mm(500mm) ALU CUT TO LENGTH
LV306802	EXTENSION Ø130mm(1000mm) ALU CUT TO LENGTH
LV306805	BEND 90° Ø130mm ALU
LV308026	BEND 45° Ø130mm ALU
LV302520	ROOF FLASHING (140mm) ALU
M87195	WALL CLAMP Ø130mm











## IMPORTANT INFORMATION

These instructions must be read and understood before installing, commissioning, operating or maintaining the equipment.

