

CPM-SP Flue Assemblies and Ancillaries

For use with Models:

CPM-SP116

CPM-SP232

CPM-SP348

CPM-SP464



Contents

	Page No.
Vertical Concentric flue assembly CPM116-SP	3
Introduction to Twin-pipe and conventional flue kits	4
Twin-Pipe flue system CPM116-SP	5
Conventional flue system CPM116-SP	6
For Cascade flue systems see separate Installation Manual available at https://lochivar.ltd.uk/cpm-boilers/	

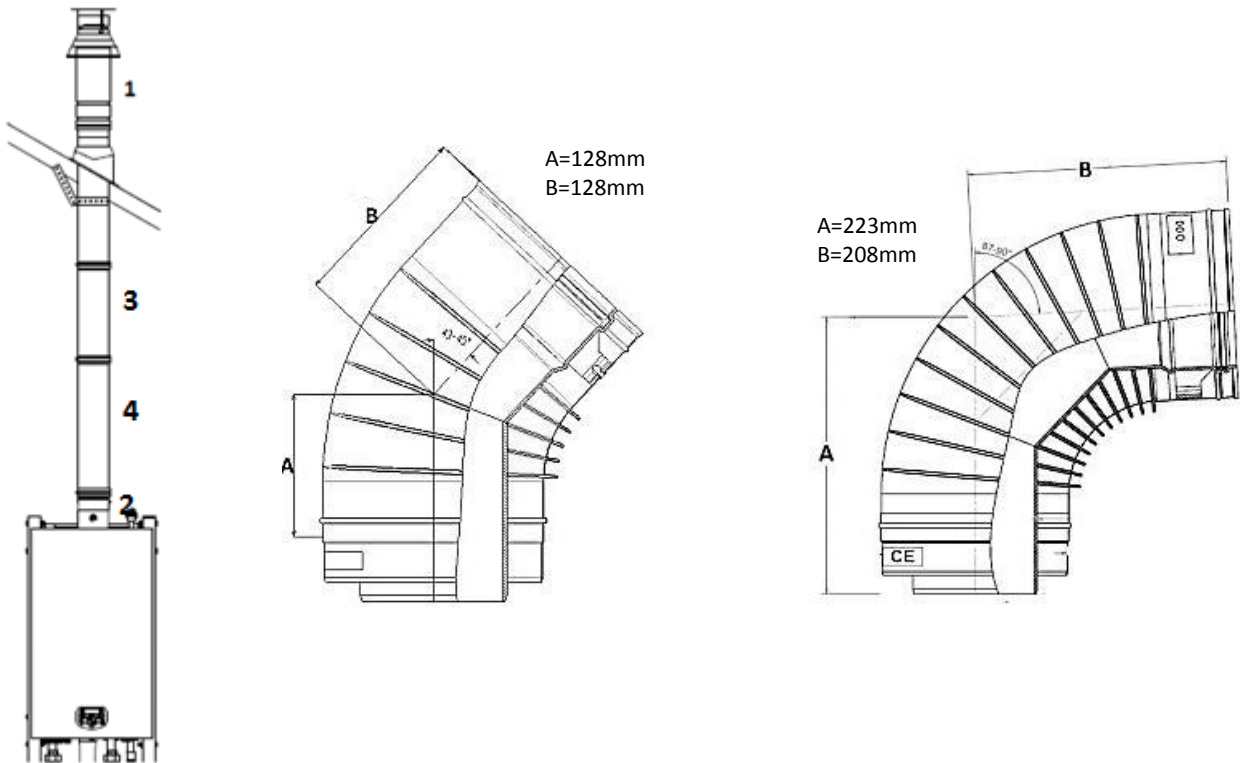
Item No CPMV005

CONCENTRIC VERTICAL FLUE ASSEMBLY MODELS CPM116-SP

COMPONENTS

Item No.	Description	Number	Quantity
LV310754B	CONCENTRIC VERTICAL TERMINAL Ø100/150mm PP	1	1
LE400061A	TWIN-PIPE TO CONCENTRIC ADAPTOR	2	1
M84405B	CONCENTRIC EXTENSION Ø100/150 (500mm) PP CUT TO LENGTH	3	1
M84402B	CONCENTRIC EXTENSION Ø100/150 (1000mm) PP FIXED	4	1

Maximum equivalent flue length -see Installation manual for details



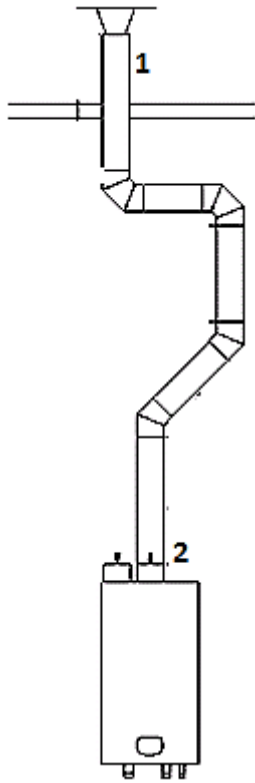
Additional Flue Ancillary Items

Item No.	Description	Dimensions
M84405B	CONCENTRIC EXTENSION Ø100/150 PP CUT TO LENGTH	500mm
M84402B	CONCENTRIC EXTENSION Ø100/150 PP FIXED	1000mm
M84412B	CONCENTRIC BEND 90° Ø100/150mm PP	See drawing above
M84413B	CONCENTRIC BEND 45° Ø100/150mm PP	See drawing above
M84421B	SAMPLING POINT Ø100/150mm PP	115mm
M87196B	WALL CLAMP Ø150mm	n/a
LV306017B	SLOPING ROOF FLASHING Ø100/150mm (25°-45°) LEAD	n/a
LV302509B	ROOF FLASHING (170mm) ALU	n/a

For further information, see Installation manual available at www.lochinvar.ltd.uk

Introduction Twin-Pipe and Conventional Flue Systems

Due to the varying and sometimes complex nature of twin-pipe and conventional flue systems Lochinvar do not offer a standard flue kit for these flue types. The following pages show the flue components available including the items that must be ordered in order to start and terminate the system. The example below shows a typical conventional flue system.



Items 1 and 2 must be ordered to start the installation, assuming this is a CPM-SP116 this will be:

Item 1-

LV310754B	CONCENTRIC VERTICAL TERMINAL \varnothing 100/150mm PP
-----------	---

Item 2-

M86787B	APPLIANCE AIR INLET GUARD \varnothing 100mm
---------	---

Additional components can be selected as required shown in the tables on page 6

TWIN-PIPE FLUE SYSTEMS MODEL CPM116-SP

COMPONENTS REQUIRED TO START INSTALLATION

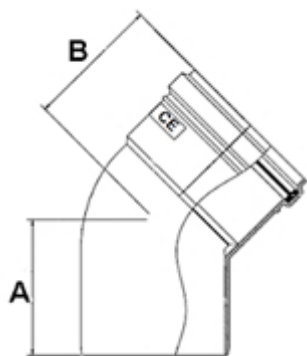
VERTICAL FLUE

Item No.	Description	Number required
LV310754B	CONCENTRIC VERTICAL TERMINAL \varnothing 100/150mm PP	1
LV305039B	HORIZONTAL AIR INLET \varnothing 100mm ALU	1

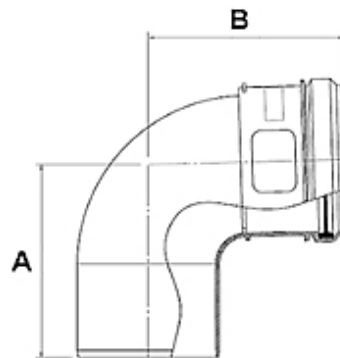
Maximum equivalent flue length -see Installation manual for details

Additional Flue Ancillary Items

Item No.	Description	Dimensions
M85176B	EXTENSION \varnothing 100mm PP CUT TO LENGTH	500mm
M85177B	EXTENSION \varnothing 100mm PP CUT TO LENGTH	1000mm
M85181B	BEND 90° 100mm PP	See drawing below
M85182B	BEND 45° 100mm PP	See drawing below
M87193B	WALL BAND (100mm)	n/a



A=78mm, B=65mm



A=115mm,
B=115mm

For further information, see Installation manual available at www.lochinvar.ltd.uk

CONVENTIONAL FLUE SYSTEMS MODEL CPM116-SP

COMPONENTS REQUIRED TO START INSTALLATION

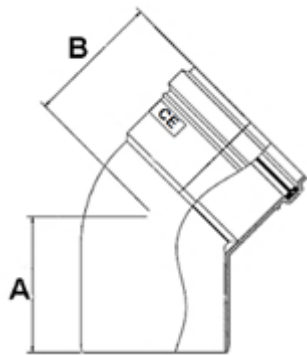
VERTICAL FLUE

Item No.	Description	Number required
LV310754B	CONCENTRIC VERTICAL TERMINAL \varnothing 100/150mm PP	1
M86787B	APPLIANCE AIR INLET GUARD \varnothing 100mm	1

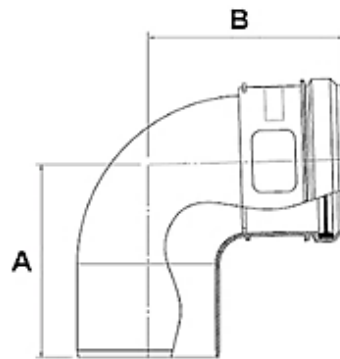
Maximum equivalent flue length -see Installation manual for details

Additional Flue Ancillary Items

Item No.	Description	Dimensions
M85176B	EXTENSION \varnothing 100mm PP CUT TO LENGTH	500mm
M85177B	EXTENSION \varnothing 100mm PP CUT TO LENGTH	1000mm
M85181B	BEND 90° 100mm PP	See drawing below
M85182B	BEND 45° 100mm PP	See drawing below
M87193B	WALL BAND (100mm)	n/a



A=78mm, B=65mm



A=115mm,
B=115mm

For further information, see Installation manual available at www.lochinvar.ltd.uk

NOTES



IMPORTANT INFORMATION

These instructions must be read and understood before installing, commissioning, operating or maintaining the equipment.

