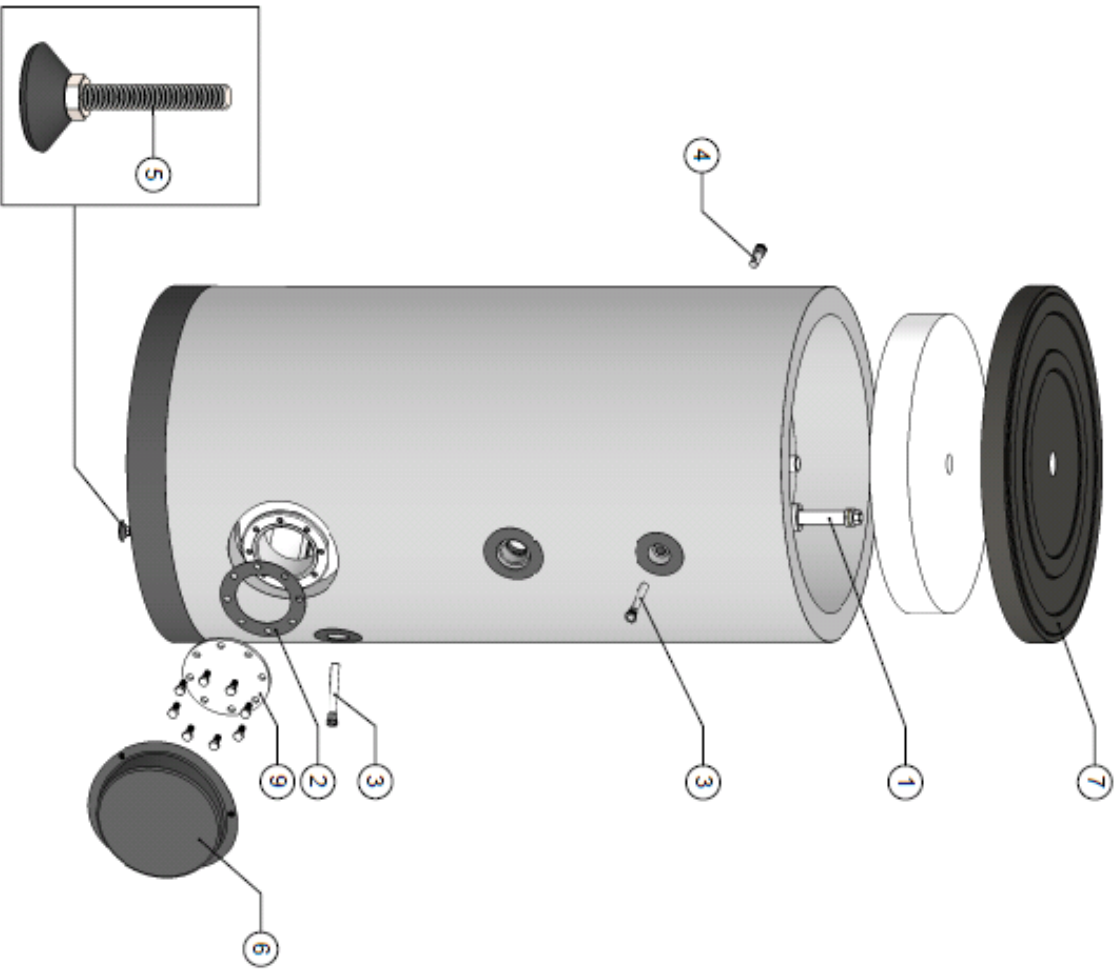


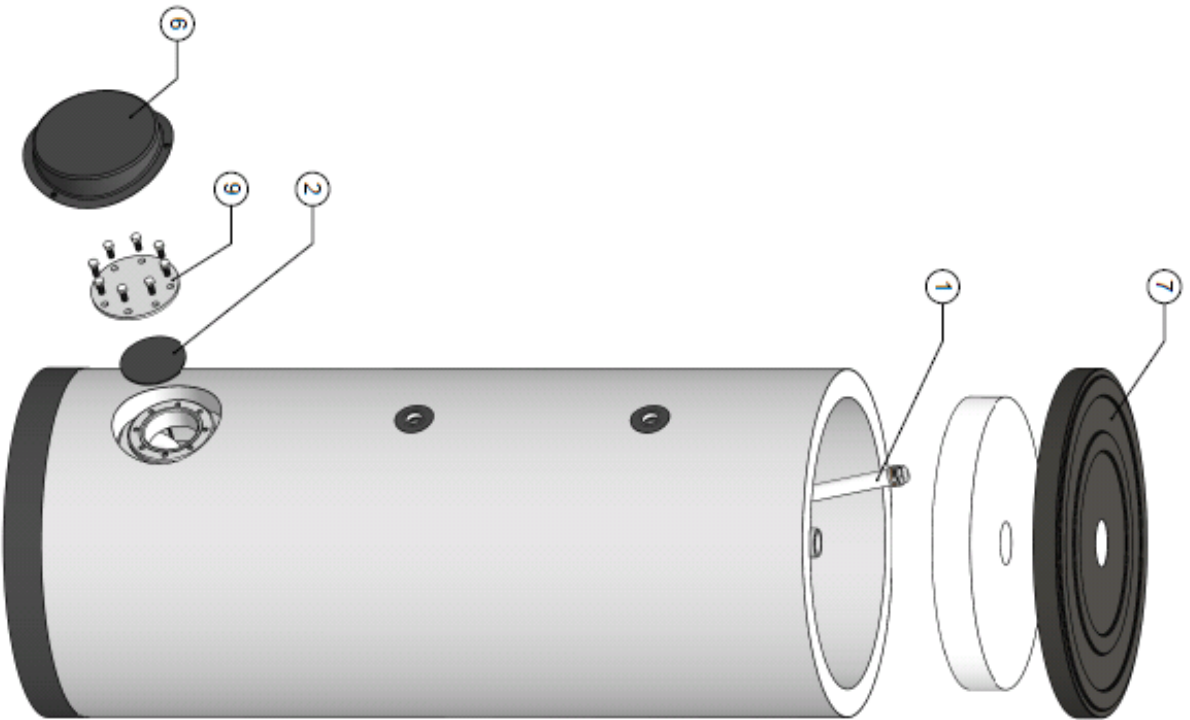
Spares Parts List

SIVT66 - 220GE

Nr.	Description of Item	Item Comments	Refer To Drawing				
			page 2	page 3			
			SIVT66	SIVT100	SIVT110	SIVT130	SIVT165
1	Anode	Anode ITS (L)	LV303849	-			
		Anode Magnesium 970mm 1¼"	-	LV301639		-	
	Flexible Anode	Anode Magnesium 1360mm 1¼"	-		LV301641		
2	Gasket Clean Out	Gasket Clean Out (L)	LV303845	-			
		Gasket Flange	-	LV301535	LV301535	-	
			-		LV301536		
3	Immersion Well	Immersion Well 120mm (L)	LV303840	-			
4		Immersion Well 55mm (L)	LV303841	-			
5	Levelling Screw	Levelling Screw (M10x50)	LV303820	-			
6	Cover Front	Cover Front	LV301507		-		
			-	LV301509			
7	Cover Jacket (Cover Jacket with Insulation)	Cover Jacket	LV304504		-	-	-
			-		LV304505		-
			-			LV304506	
8	Complete Insulation Package (Insulation Jacket, Insulation Top and Cover Jacket)	Insulation I2-300 ALU (L)	LV303727	-			
		Insulation I2-400 ALU	-	LV302858	-		
		Insulation I2-500 ALU	-		LV302862	-	
		Insulation I2-600 ALU	-		LV302866	-	-
		Insulation I2-750 ALU	-			LV302870	-
		Insulation I2-1000 ALU	-			LV302874	
9	Flange Clean Out	Clean Out Flange (L)	LV303844	-			
		Flange	-	LV301517	LV301517	-	
				-		LV301534	



LINEAR TOLERANCES UNLESS NOTED DECIMALS 1 THRU / ANGLES 2 2		REVISE BY COMPUTER ONLY		AM/PROJ		SCALE		 Developed with SolidWorks		 High Efficiency Water Heaters and Boilers	
SIZE TOLERANCES SPRUE AND PLACE TOLERANCES ACC. NEN-ISO 428 ACC. NEN-ISO 1101										A4 SIZE SIVT 66	
										MATERIAL	
										-	
										FINISH SPEC.	
										-	
										PART NUMBER	
										EVD-0080	
0 RELEASE		CHANGES		8839 MD 220114		CHG NO. BY DATE					
REV											



LINEAR TOLERANCES UNLESS NOTED DECIMALS ± 0.1mm / ANGLES ± 2°		REVERSE BY COMPUTER ONLY		AM PROJ		SCALE		Designed with DS SolidWorks		 Lochinvar [®] High Efficiency Water Heaters and Boilers	
SIZE TOLERANCES SHAPE AND PLACE TOLERANCES		ANSI Y14.5-2009 MFG. NEWISO 1101				---				A4 SIZE SIVT 100-220 MATERIAL - FINISH SPEC. -	
0	RELEASE	8859	MS	220114							PART NUMBER EVD-0081
REV	CHANGES	CHG NO	BY	DATE	CHK						