

TECHNICAL PRODUCT SUBMITTAL

LOK8-200



| | | |
|---------------------------------------|------------------|--|
| Heat Transfer Duty | kW | 200 |
| Thermal efficiency | % | 99.5 |
| Primary Side | | |
| Inlet Temperature | °C | 82 |
| Outlet Temperature | °C | Varies Depending On Demand (45 At Full Demand) |
| Fluid Flow Rate | litre/second | 1.32 |
| Fluid type | | Water |
| Connection size and type | Inch BSPT Female | 1 1/4 |
| Max Working Temperature | °C | 99 |
| Maximum Working Pressure | bar | 10 |
| Secondary Side | | |
| Inlet Temperature | °C | Varies Depending On Demand (10 At Full Demand) |
| Outlet Temperature | °C | 65 |
| Fluid Flow Rate | litres/second | 0.88 |
| Fluid type | | water |
| pressure drop | bar | 0.15 |
| Connection size and type | Inch BSPT Male | 1 1/4 |
| Max Working Temperature | °C | 85 |
| Maximum Working Pressure | bar | 10 |
| Performance | | |
| Recovery Rate @ 55°C ΔT | litres/hour | 3168 |
| Recovery Rate @ 55°C ΔT | litres/second | 0.88 |
| Recovery Rate @ 50°C ΔT | litres/hour | 3492 |
| Recovery Rate @ 50°C ΔT | litres/second | 0.97 |
| Dimensions | | |
| Height | mm | 1445 |
| Width | mm | 643 |
| Depth | mm | 1023 |
| Construction Details | | |
| Number Of Plates | | 30 |
| Plate Material | | AISI 316 Stainless Steel |
| Gasket Material | | EPDM - Clip On |
| Empty weight single head primary pump | kg | 119 |
| Empty weight twin head primary pump | kg | 137 |
| WRAS Approval Number | | 1401052 |

LOK packaged plate heat exchangers must be installed and maintained in line with the Installation Commissioning and Maintenance Instructions which are available on the Literature & Downloads section of www.lochinvar.ltd.uk

Particular attention should be made to:-

- Dimensions and clearances
- Vented and Unvented installation requirements
- maintenance

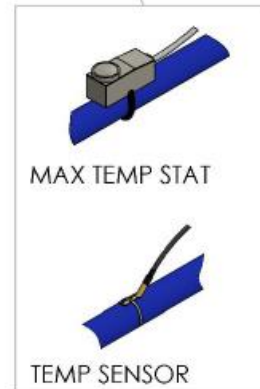
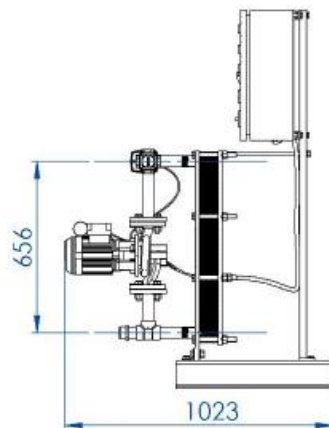
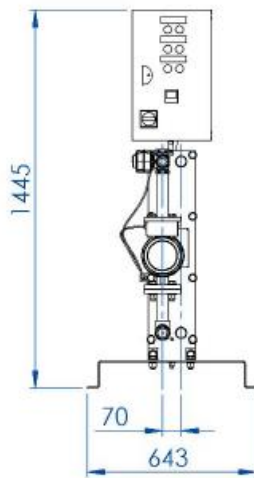
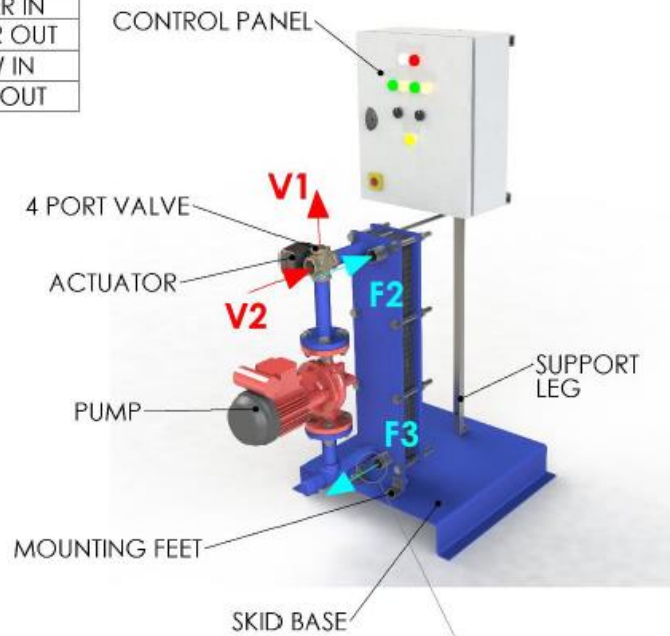
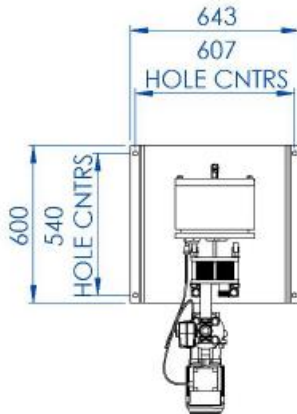
Warranty

Warranty information are also available at www.lochinvar.ltd.uk

TECHNICAL PRODUCT SUBMITTAL

LOK8-200

| PORT | CONNECTION TYPE | FUNCTION |
|------|-------------------|------------|
| V1 | 1.25" BSPT FEMALE | BOILER IN |
| V4 | 1.25" BSPT FEMALE | BOILER OUT |
| F2 | 1.25" BSPT MALE | DHW IN |
| F3 | 1.25" BSPT MALE | DHW OUT |



ITEMS TO BE
INSTALLED ON-SITE
ONTO PIPEWORK