

# TECHNICAL PRODUCT SUBMITTAL

## LOK8-150



Heat Transfer Duty	kW	150
Thermal efficiency	%	99.5
<b>Primary Side</b>		
Inlet Temperature	°C	82
Outlet Temperature	°C	Varies Depending On Demand (50 At Full Demand)
Fluid Flow Rate	litre/second	1.14
Fluid type		Water
Connection size and type	Inch BSPT Female	1 1/4
Max Working Temperature	°C	99
Maximum Working Pressure	bar	10
<b>Secondary Side</b>		
Inlet Temperature	°C	Varies Depending On Demand (10 At Full Demand)
Outlet Temperature	°C	65
Fluid Flow Rate	litres/second	0.66
Fluid type		water
pressure drop	bar	0.15
Connection size and type	Inch BSPT Male	1 1/4
Max Working Temperature	°C	85
Maximum Working Pressure	bar	10
<b>Performance</b>		
Recovery Rate @ 55°C ΔT	litres/hour	2376
Recovery Rate @ 55°C ΔT	litres/second	0.66
Recovery Rate @ 50°C ΔT	litres/hour	2628
Recovery Rate @ 50°C ΔT	litres/second	0.73
<b>Dimensions</b>		
Height	mm	1445
Width	mm	643
Depth	mm	1023
<b>Construction Details</b>		
Number Of Plates		22
Plate Material		AISI 316 Stainless Steel
Gasket Material		EPDM - Clip On
Empty weight single head primary pump	kg	116
Empty weight twin head primary pump	kg	135
WRAS Approval Number		1401052

LOK packaged plate heat exchangers must be installed and maintained in line with the Installation Commissioning and Maintenance Instructions which are available on the Literature & Downloads section of [www.lochinvar.ltd.uk](http://www.lochinvar.ltd.uk)

Particular attention should be made to:-

- Dimensions and clearances
- Vented and Unvented installation requirements
- maintenance

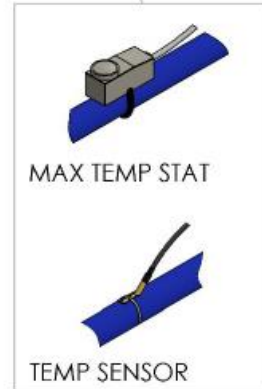
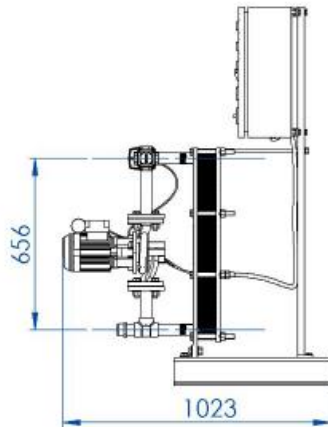
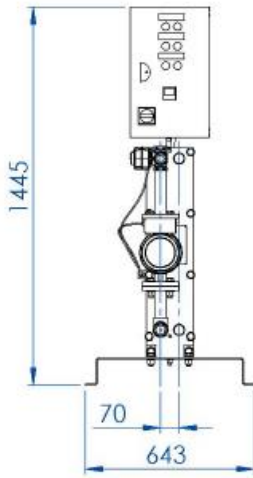
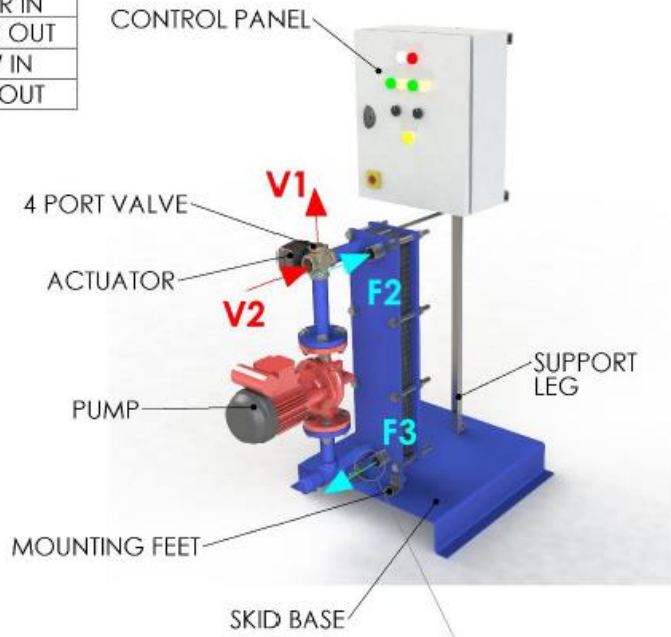
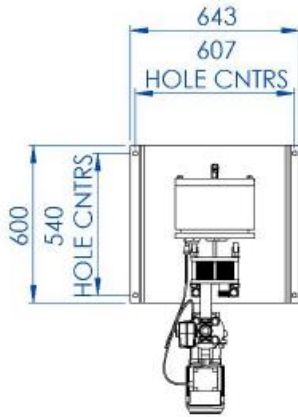
#### **Warranty**

Warranty information are also available at [www.lochinvar.ltd.uk](http://www.lochinvar.ltd.uk)

# TECHNICAL PRODUCT SUBMITTAL

## LOK8-150

PORT	CONNECTION TYPE	FUNCTION
V1	1.25" BSPT FEMALE	BOILER IN
V4	1.25" BSPT FEMALE	BOILER OUT
F2	1.25" BSPT MALE	DHW IN
F3	1.25" BSPT MALE	DHW OUT



ITEMS TO BE  
INSTALLED ON-SITE  
ONTO PIPEWORK