

# TECHNICAL PRODUCT SUBMITTAL

## LOKE8-150



		LOKE8-150
<b>Output</b>		
Heat Transfer Duty	kW	150
Thermal efficiency	%	99.5
<b>Primary Side</b>		
Inlet Temperature	°C	75
Outlet Temperature	°C	40
Fluid Flow Rate	litre/second	1.03
pressure drop	bar	0.28
Connection size and type	Inch	1¼"
Max Working Temperature	°C	100
Maximum Working Pressure	bar	10
<b>Secondary Side</b>		
Inlet Temperature	°C	10
Outlet Temperature	°C	65
Fluid Flow Rate	litres/second	0.65
pressure drop	bar	0.12
Connection size and type	Inch	1¼"
Max Working Temperature	°C	95
Maximum Working Pressure	bar	10
<b>Performance</b>		
Recovery Rate @ 55°C ΔT	litres/hour	2340
Recovery Rate @ 55°C ΔT	litres/second	0.65
Recovery Rate @ 50°C ΔT	litres/hour	2574
Recovery Rate @ 50°C ΔT	litres/second	0.72
<b>Dimensions</b>		
Height without base	mm	835
Width without base	mm	710
Depth without base	mm	196
<b>Construction Details</b>		
Plate Material		AISI 316 Stainless Steel
Gasket Material		EPDM - Clip On
Empty weight	kg	70
Gasket WRAS Approval Number		1511532

LOKE Water heaters must be installed and maintained in line with the Installation Commissioning and Maintenance Instructions which are available on the Literature & Downloads section of [www.lochinvar.ltd.uk](http://www.lochinvar.ltd.uk)

Particular attention should be made to:-

- Dimensions and clearances
- Vented and Unvented installation requirements
- maintenance

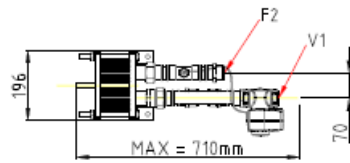
#### **ErP and Warranty**

ErP Data including Product Fiche and Energy Labels where applicable and Warranty information are also available at [www.lochinvar.ltd.uk](http://www.lochinvar.ltd.uk)

# TECHNICAL PRODUCT SUBMITTAL

## LOKE8-150

LOKE without optional base

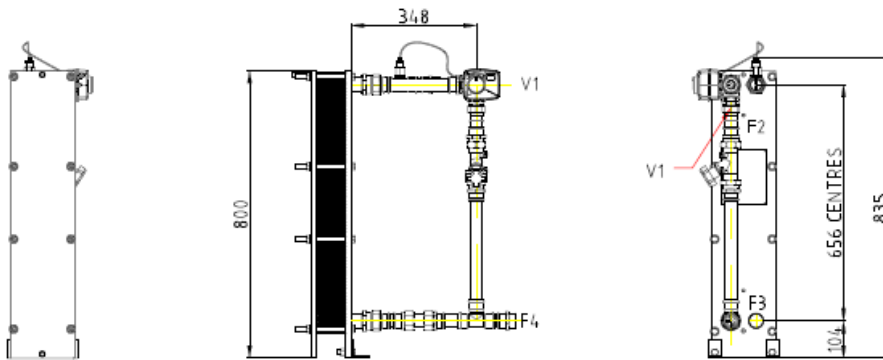


### 50-125 KW

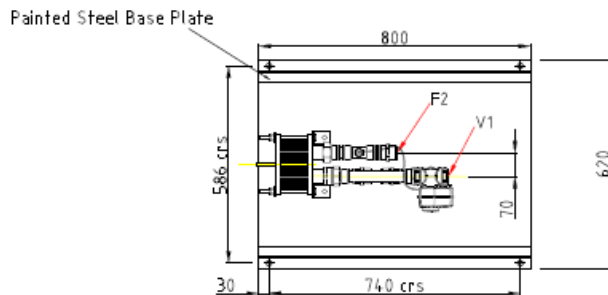
PORT	CONNECTION TYPE	FUNCTION
V1	1" BSPT FEMALE	BOILER FLOW
F4	1" BSPT MALE	BOILER RETURN
F2	1" BSPT MALE	DHW OUT
F3	1" BSPT MALE	DWH IN

### 150-250 kW

PORT	CONNECTION TYPE	FUNCTION
V1	1.25" BSPT FEMALE	BOILER FLOW
F4	1.25" BSPT MALE	BOILER RETURN
F2	1.25" BSPT MALE	DHW OUT
F3	1.25" BSPT MALE	DWH IN



LOKE with optional base



### 50-125 KW

PORT	CONNECTION TYPE	FUNCTION
V1	1" BSPT FEMALE	BOILER FLOW
F4	1" BSPT MALE	BOILER RETURN
F2	1" BSPT MALE	DHW OUT
F3	1" BSPT MALE	DWH IN

### 150-250 kW

PORT	CONNECTION TYPE	FUNCTION
V1	1.25" BSPT FEMALE	BOILER FLOW
F4	1.25" BSPT MALE	BOILER RETURN
F2	1.25" BSPT MALE	DHW OUT
F3	1.25" BSPT MALE	DWH IN

