

TECHNICAL PRODUCT SUBMITTAL

LBT500 THERMAL STORE

LBT500

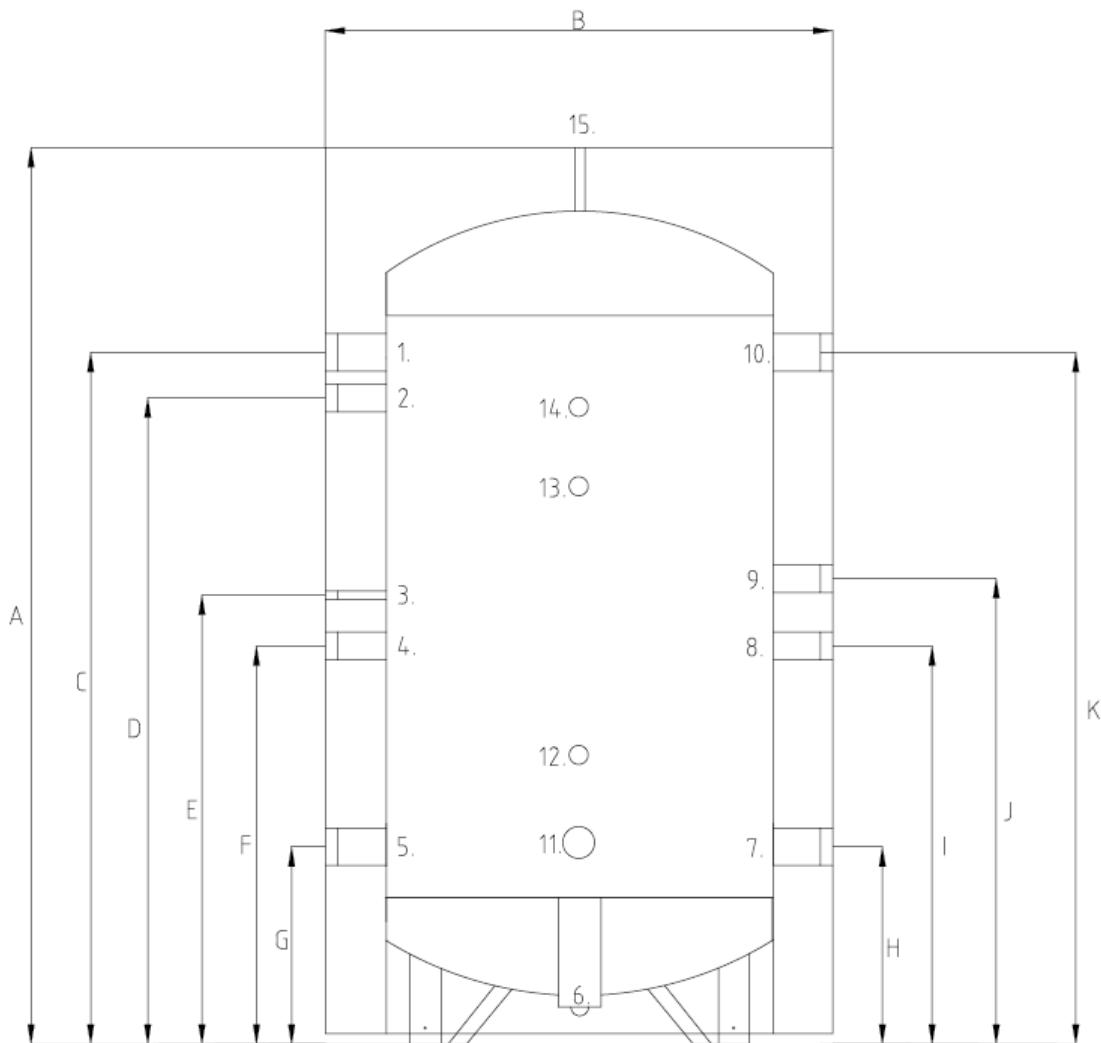
EFFICIENCY DATA-Part L2	
Insulation Thickness	mm
Insulation Type	
Heat Loss	kWh/24h
EFFICIENCY DATA ErP AND ENERGY LABEL	
Ecodesign Energy Label rating	
Standing Loss	W
GENERAL DATA	
Storage Capacity	litres
Weight Empty	kg
Weight Full and Insulated	kg
Maximum Vessel Pressure	bar
Minimum Vessel Temperature	°C
Maximum Vessel Temperature	°C

55
Polyurethane
2.74
C
114.1
500
80
580
6
-10
90

The LBT Thermal store must be installed and maintained in line with the Installation Commissioning and Maintenance Instructions which are available on the Literature & Downloads section of www.lochinvar.ltd.uk

ErP and Warranty

ErP Data including Product Fiche and Energy Labels where applicable and Warranty information are also available at www.lochinvar.ltd.uk



TECHNICAL PRODUCT SUBMITTAL

LBT500 THERMAL STORE



No	Description	Unit	LBT300	LBT500	LBT800	LBT1000	LBT1500
A	Total Height (with insulation)	mm	1680	1735	1765	2075	2245
B	Diameter of Water Heater (with insulation)	mm	610	760	910	1010	1220
C	Height of Heating system flow connection	mm	1405	1450	1445	1715	1800
D	Height of Auxiliary connection	mm	1255	1300	1295	1565	1650
E	Height of Sensor connection	mm	895	885	885	1095	1180
F	Height of Auxiliary connection	mm	645	690	685	955	1040
G	Height of Heating system return connection	mm	355	380	395	415	500
H	Height ASHP Return connection	mm	355	380	395	415	500
I	Height of Auxiliary connection	mm	780	785	820	955	1020
J	Height of Auxiliary connection	mm	980	985	1020	1155	1220
K	Height of ASHP flow connection	mm	1405	1450	1445	1715	1800
A	Height of AAV Connection	mm	1680	1735	1765	2075	2245

No	Description	Unit	LBT300	LBT500	LBT800	LBT1000	LBT1500
1	Connection Heating System Flow	BSP	2"	3"	3"	3"	3"
2	Connection Tank body	BSP	1½"	2"	2"	2"	2"
3	Connection Sensor Point	BSP	½"	½"	½"	½"	½"
4	Connection Tank body	BSP	1½"	2"	2"	2"	2"
5	Connection Heating System Return	BSP	2"	3"	3"	3"	3"
6	Connection Drain	BSP	1¼"	1¼"	1½"	1½"	2"
7	Connection ASHP Return	BSP	2"	3"	3"	3"	3"
8	Connection Tank Body	BSP	1½"	2"	2"	2"	2"
9	Connection Tank Body	BSP	1½"	2"	2"	2"	2"
10	Connection ASHP Flow	BSP	2"	3"	3"	3"	3"
11	Connection	BSP	2"	2"	2"	2"	2"
12	Connection Sensor Point	BSP	½"	½"	½"	½"	½"
13	Connection Sensor Point	BSP	½"	½"	½"	½"	½"
14	Connection Sensor Point	BSP	½"	½"	½"	½"	½"
15	Connection Air Vent	BSP	1¼"	1¼"	1½"	1½"	2"