

# TECHNICAL PRODUCT SUBMITTAL

## LBT1000 THERMAL STORE

### LBT1000

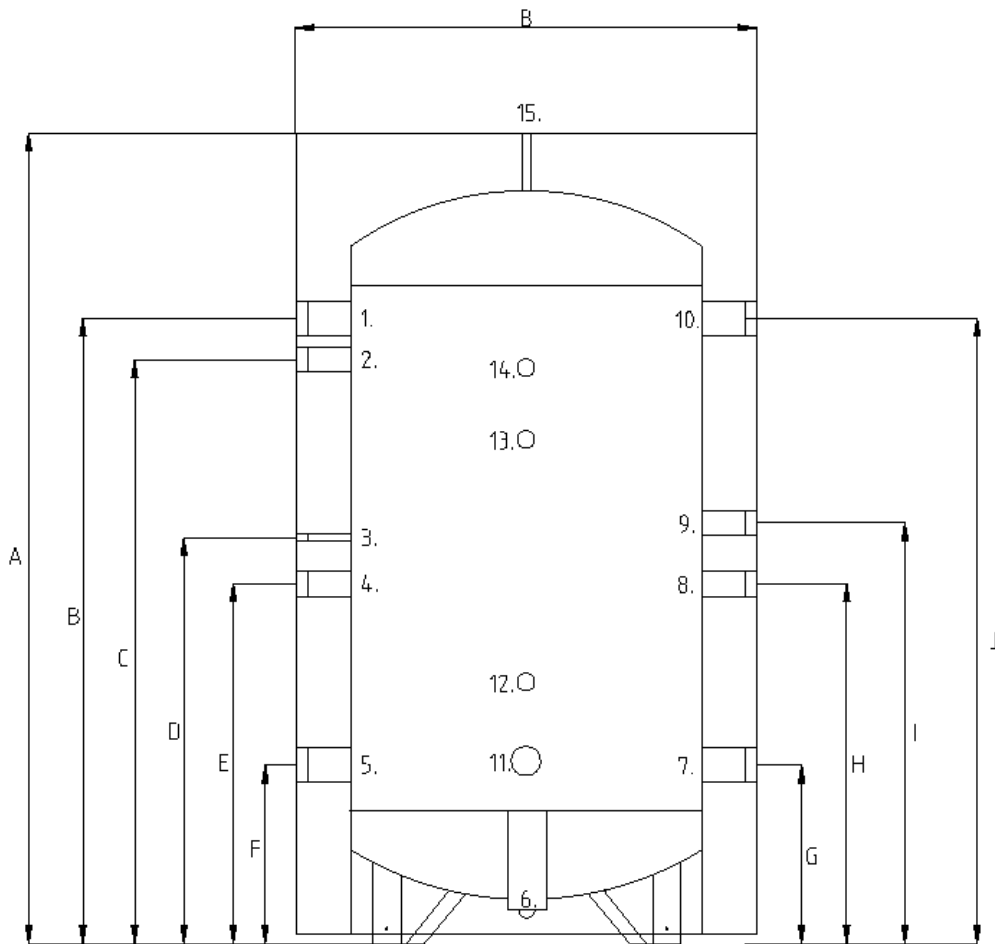
EFFICIENCY DATA-Part L2	
Insulation Thickness	mm
Insulation Type	
Heat Loss	kWh/24h
EFFICIENCY DATA ErP AND ENERGY LABEL	
Ecodesign Energy Label rating	
Standing Loss	W
GENERAL DATA	
Storage Capacity	litres
Weight Empty	kg
Weight Full and Insulated	kg
Maximum Vessel Pressure	bar
Minimum Vessel Temperature	°C
Maximum Vessel Temperature	°C

80
Polyurethane
3.01
C
125.4
1000
130
1130
6
-10
90

The LBT Thermal store must be installed and maintained in line with the Installation Commissioning and Maintenance Instructions which are available on the Literature & Downloads section of [www.lochinvar.ltd.uk](http://www.lochinvar.ltd.uk)

#### ErP and Warranty

ErP Data including Product Fiche and Energy Labels where applicable and Warranty information are also available at [www.lochinvar.ltd.uk](http://www.lochinvar.ltd.uk)



# TECHNICAL PRODUCT SUBMITTAL

## LBT1000 THERMAL STORE



No	Description	Unit	LBT300	LBT500	LBT800	LBT1000	LBT1500	LBT2000
A	Total Height (with insulation)	mm	1680	1735	1765	2075	2245	2565
B	Diameter of Water Heater (with insulation)	mm	610	760	910	1010	1220	1320
C	Height of Immersion heater connection	mm	355	380	395	415	500	505
D	Connection ASHP return	mm	355	380	395	415	500	505
E	Height of Tank body connection	mm	645	690	685	955	1040	1345
F	Height of Tank body connection	mm	355	380	395	415	500	505
G	Connection ASHP flow	mm	355	380	395	415	500	505
H	Height of Tank body connection	mm	780	785	820	955	1020	1180
I	Height of Tank body connection	mm	980	985	1020	1155	1220	1380
J	Height of Tank body connection	mm	1405	1450	1445	1715	1800	2105
A	Height of AAV Connection	mm	1680	1735	1765	2075	2245	2565

No	Description	Unit	LBT300	LBT500	LBT800	LBT1000	LBT1500	LBT2000
1	Connection Heating System Flow	BSP	2"	3"	3"	3"	3"	3"
2	Connection Tank body	BSP	1½"	2"	2"	2"	2"	2"
3	Connection Sensor Point	BSP	½"	½"	½"	½"	½"	½"
4	Connection Tank body	BSP	1½"	2"	2"	2"	2"	2"
5	Connection Heating System Return	BSP	2"	3"	3"	3"	3"	3"
6	Connection Drain	BSP	1¼"	1¼"	1½"	1½"	2"	2"
7	Connection ASHP Return	BSP	2"	3"	3"	3"	3"	3"
8	Connection Tank Body	BSP	1½"	2"	2"	2"	2"	2"
9	Connection Tank Body	BSP	1½"	2"	2"	2"	2"	2"
10	Connection ASHP Flow	BSP	2"	3"	3"	3"	3"	3"
11	Connection Immersion heater	BSP	2"	2"	2"	2"	2"	2"
12	Connection Sensor Point	BSP	½"	½"	½"	½"	½"	½"
13	Connection Sensor Point	BSP	½"	½"	½"	½"	½"	½"
14	Connection Sensor Point	BSP	½"	½"	½"	½"	½"	½"
15	Connection Air Vent	BSP	1¼"	1¼"	1½"	1½"	2"	2"