

# TECHNICAL PRODUCT SUBMITTAL

## EcoSword LGC160-210



Nominal Input (net)	kW
Nominal Input (gross)	kW
Gas Flow Rate (natural gas)	m3/hr
Nominal Output	kW
<b>EFFICIENCY DATA-Part L2</b>	
Seasonal Efficiency (Part L2 Gross CV)	%
Maintenance consumption value	MJ/M
Maintenance consumption value	kW/24Hr
<b>EFFICIENCY DATA-ErP and Energy Label</b>	
Ecodesign Energy Label rating	
Water Heater efficiency	%
<b>GENERAL DATA</b>	
NOx emission @0% O2	mg/kWh
Recovery Rate @ 44°C	l/hr
Recovery Rate @ 50°C	l/hr
Recovery Rate @ 56°C	l/hr
Dimensions (height )	mm
Dimensions (diameter)	mm
Storage Capacity	litres
Weight (empty)	kg
Weight (full)	kg
Insulation Thickness	mm
Insulation Material	
Hot Outlet Connection (inches)	BSP
Cold Feed Connection (inches)	BSP
Gas Connection (mm)	BSP
Electrical Requirements	
Power Consumption	W
Sound Power Level	LWA(db)
Maximum Flue Gas Temperature	°C
Max Outlet Temperature	°C
Maximum Working Pressure	bar

11
12.1
1.20
11.7
96.4
236.5
1.68
A
92
22
239
210
188
1269
560
163
95
258
50
Polyurethane
¾"
¾"
15
230V/1Ph/50hz
85
41
61
85
8.0

**EcoSword water heaters** must be installed and maintained in line with the Installation Commissioning and Maintenance Instructions which are available on the Literature & Downloads section of [www.lochinvar.ltd.uk](http://www.lochinvar.ltd.uk)

Particular attention should be made to:-

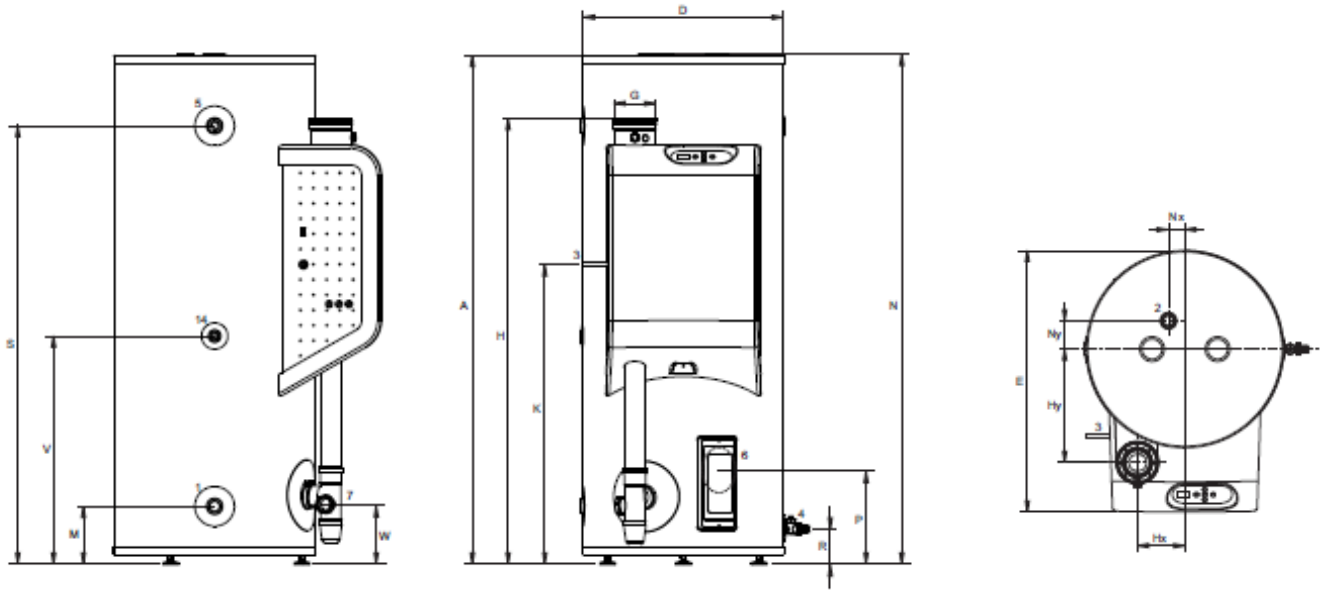
- Dimensions and clearances
- Vented and Unvented installation requirements
- maintenance

#### **ErP and Warranty**

ErP Data including Product Fiche and Energy Labels where applicable and Warranty information are also available at [www.lochinvar.ltd.uk](http://www.lochinvar.ltd.uk)

# TECHNICAL PRODUCT SUBMITTAL

## EcoSword LGC160-210



Size	Description	Unit	LGC 160-210	LGC 160-350	LGC 200-210	LGC 200-350
A	Total Height	mm	1269	1269	1545	1545
D	Width	mm	560	560	560	560
E	Depth	mm	760	760	760	760
H	Height of Flue Gas Outlet / Air Supply	mm	1310	1310	1310	1310
Hx	x-Position Flue Gas Outlet	mm	145	145	145	145
Hy	y-Position Flue Gas Outlet	mm	325	325	325	325
K	Height of Gas Connection	mm	870	870	870	870
M	Height of Cold Water Inlet	mm	175	175	175	175
N	Height of Hot Water Outlet	mm	1270	1270	1545	1545
Nx	x-Position of Hot Water Outlet	mm	50	50	50	50
Ny	y-Position of Hot Water Outlet	mm	90	90	90	90
P	Height of Cleaning / Inspection Opening	mm	155	155	155	155
R	Height of Drain Valve Connection	mm	105	105	105	105
S	Height of T&P-valve Connection	mm	1070	1070	1325	1325
V	Height Recirculation Connection	mm	605	605	605	605
W	Height of Condensation Connection (male)	mm	180	180	180	180
1	Connection Cold Water Inlet (male)	-	Rp 3/4	Rp 3/4	Rp 3/4	Rp 3/4
2	Connection Hot Water Outlet (male)	-	Rp 3/4	Rp 3/4	Rp 3/4	Rp 3/4
3	Connection Gas Inlet (female)	-	15	15	15	15
4	Connection Drain Valve (female)	-	Rp 3/4	Rp 3/4	Rp 3/4	Rp 3/4
5	Connection T&P-valve (female)	-	Rp 3/4	Rp 3/4	Rp 3/4	Rp 3/4
6	Cleaning / Inspection Opening	mm	95x70	95x70	95x70	95x70
7	Connection Condensation Drain (female)		Ø 40	Ø 40	Ø 40	Ø 40
8	Connection Recirculation		Rp 3/4	Rp 3/4	Rp 3/4	Rp 3/4
9	Diameter Flue Gas Outlet / Air Supply	mm/mm	80/125	80/125	80/125	80/125