

TECHNICAL PRODUCT SUBMITTAL

EcoShield SHW86-410CE



Nominal Input (net)	kW	75.2
Nominal Input (gross)	kW	83.5
Gas Flow Rate (natural gas)	m3/hr	8.0
Nominal Output	kW	80.2
EFFICIENCY DATA-Part L2		
Seasonal Efficiency (Part L2 Gross CV)	%	96.0
Maintenance consumption value	MJ/M	302.0
Maintenance consumption value	kW/24Hr	2.7
EFFICIENCY DATA-ErP and Energy Label		
Ecodesign Energy Label rating		n/a
Water Heater efficiency	%	79
GENERAL DATA		
NOx emission @0% O2	mg/kWh	33.1
Recovery Rate @ 44°C	l/hr	1567
Recovery Rate @ 50°C	l/hr	1379
Recovery Rate @ 56°C	l/hr	1231
Dimensions (height)	mm	1920
Dimensions (diameter)	mm	865
Storage Capacity	litres	410
Weight (empty)	kg	379
Weight (full)	kg	825
Insulation Thickness	mm	50
Insulation Material		Polyurethane
Hot Outlet Connection (inches)	BSP	2
Cold Feed Connection (inches)	BSP	2
Gas Connection (inches)	BSP	R¾
Electrical Requirements		230V /1Ph/ 50hz
Power Consumption	W	649
Sound Power Level	LWA(db)	62
Maximum Flue Gas Temperature	°C	120
Max Outlet Temperature	°C	80
Maximum Working Pressure	bar	10

EcoShield water heaters must be installed and maintained in line with the Installation Commissioning and Maintenance Instructions which are available on the Literature & Downloads section of www.lochinvar.ltd.uk

Particular attention should be made to:-

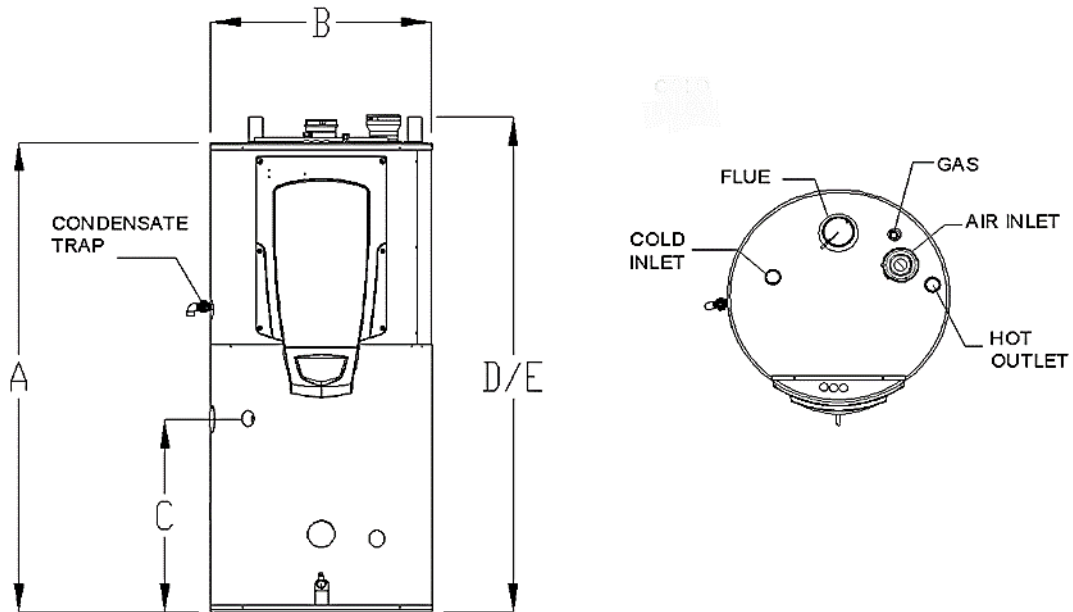
- Dimensions and clearances
- Vented and Unvented installation requirements
- maintenance

ErP and Warranty

ErP Data including Product Fiche and Energy Labels where applicable and Warranty information are also available at www.lochinvar.ltd.uk

TECHNICAL PRODUCT SUBMITTAL

EcoShield SHW86-410CE



MODEL	HEIGHT	WIDTH	T&P VALVE	COLD FEED	HOT OUTLET
	A	B	C	D	E
SHW35-245	1530	715	755	1610	1610
SHW46-325	1920	715	1117	2005	2005
SHW61-325	1920	715	1126	2005	2005
SHW86-410	1920	865	786	2020	2020
SHW116-410	1920	865	786	2020	2020
SHW146-410	1920	865	786	2020	2020