

TECHNICAL PRODUCT SUBMITTAL

EcoShield SHW61-325CE



Nominal Input (net)	kW	55.4
Nominal Input (gross)	kW	61.5
Gas Flow Rate (natural gas)	m ³ /hr	5.7
Nominal Output	kW	58.9
EFFICIENCY DATA-Part L2		
Seasonal Efficiency (Part L2 Gross CV)	%	95.8
Maintenance consumption value	MJ/M	302.0
Maintenance consumption value	kW/24Hr	2.8
EFFICIENCY DATA-ErP and Energy Label		
Ecodesign Energy Label rating		B
Water Heater efficiency	%	73
GENERAL DATA		
NOx emission @0% O2	mg/kWh	27.3
Recovery Rate @ 44°C	l/hr	1153
Recovery Rate @ 50°C	l/hr	1014
Recovery Rate @ 56°C	l/hr	905
Dimensions (height)	mm	1920
Dimensions (diameter)	mm	715
Storage Capacity	litres	325
Weight (empty)	kg	290
Weight (full)	kg	625
Insulation Thickness	mm	50
Insulation Material		Polyurethane
Hot Outlet Connection (inches)	BSP	1½
Cold Feed Connection (inches)	BSP	1½
Gas Connection (inches)	BSP	R½
Electrical Requirements		230V /1Ph/ 50hz
Power Consumption	W	459
Sound Power Level	LWA(db)	60
Maximum Flue Gas Temperature	°C	120
Max Outlet Temperature	°C	80
Maximum Working Pressure	bar	10

EcoShield water heaters must be installed and maintained in line with the Installation Commissioning and Maintenance Instructions which are available on the Literature & Downloads section of www.lochinvar.ltd.uk

Particular attention should be made to:-

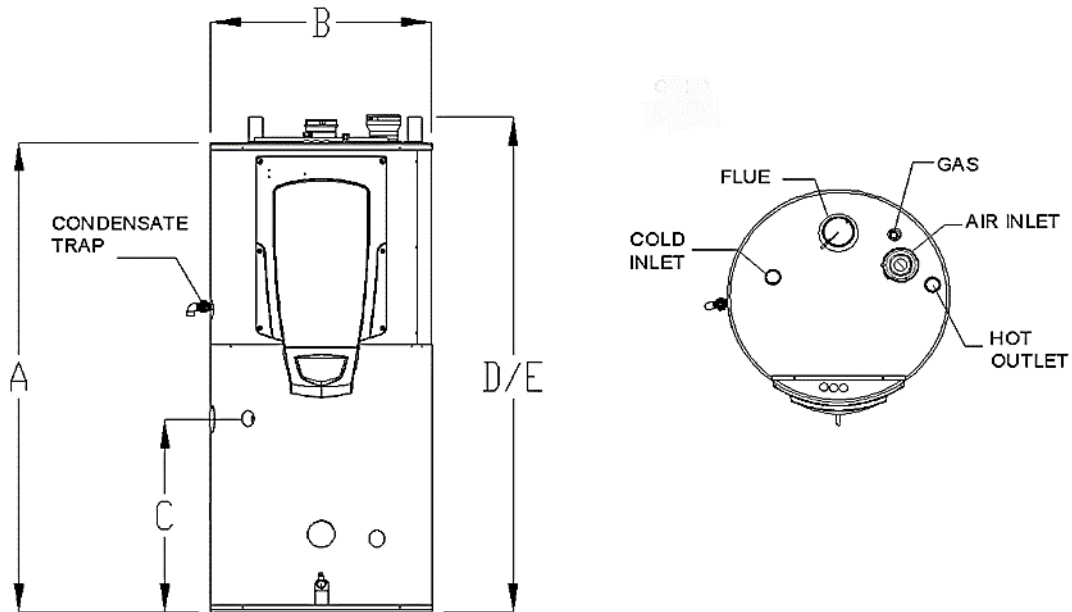
- Dimensions and clearances
- Vented and Unvented installation requirements
- maintenance

ErP and Warranty

ErP Data including Product Fiche and Energy Labels where applicable and Warranty information are also available at www.lochinvar.ltd.uk

TECHNICAL PRODUCT SUBMITTAL

EcoShield SHW61-325CE



MODEL	HEIGHT	WIDTH	T&P VALVE	COLD FEED	HOT OUTLET
	A	B	C	D	E
SHW35-245	1530	715	755	1610	1610
SHW46-325	1920	715	1117	2005	2005
SHW61-325	1920	715	1126	2005	2005
SHW86-410	1920	865	786	2020	2020
SHW116-410	1920	865	786	2020	2020
SHW146-410	1920	865	786	2020	2020