

# TECHNICAL PRODUCT SUBMITTAL

## EcoShield SHW116-410CE



Nominal Input (net)	kW	105.3
Nominal Input (gross)	kW	116.9
Gas Flow Rate (natural gas)	m <sup>3</sup> /hr	11.1
Nominal Output	kW	110.6
<b>EFFICIENCY DATA-Part L2</b>		
Seasonal Efficiency (Part L2 Gross CV)	%	94.6
Maintenance consumption value	MJ/M	302.0
Maintenance consumption value	kW/24Hr	2.7
<b>EFFICIENCY DATA-ErP and Energy Label</b>		
Ecodesign Energy Label rating		n/a
Water Heater efficiency	%	78
<b>GENERAL DATA</b>		
NOx emission @0% O <sub>2</sub>	mg/kWh	40.0
Recovery Rate @ 44°C	l/hr	2164
Recovery Rate @ 50°C	l/hr	1904
Recovery Rate @ 56°C	l/hr	1700
Dimensions (height )	mm	1920
Dimensions (diameter)	mm	865
Storage Capacity	litres	410
Weight (empty)	kg	388
Weight (full)	kg	838
Insulation Thickness	mm	50
Insulation Material		Polyurethane
Hot Outlet Connection (inches)	BSP	2
Cold Feed Connection (inches)	BSP	2
Gas Connection (inches)	BSP	R1
Electrical Requirements		230V /1Ph/ 50hz
Power Consumption	W	932
Sound Power Level	LWA(db)	64
Maximum Flue Gas Temperature	°C	120
Max Outlet Temperature	°C	80
Maximum Working Pressure	bar	10

**EcoShield water heaters** must be installed and maintained in line with the Installation Commissioning and Maintenance Instructions which are available on the Literature & Downloads section of [www.lochinvar.ltd.uk](http://www.lochinvar.ltd.uk)

Particular attention should be made to:-

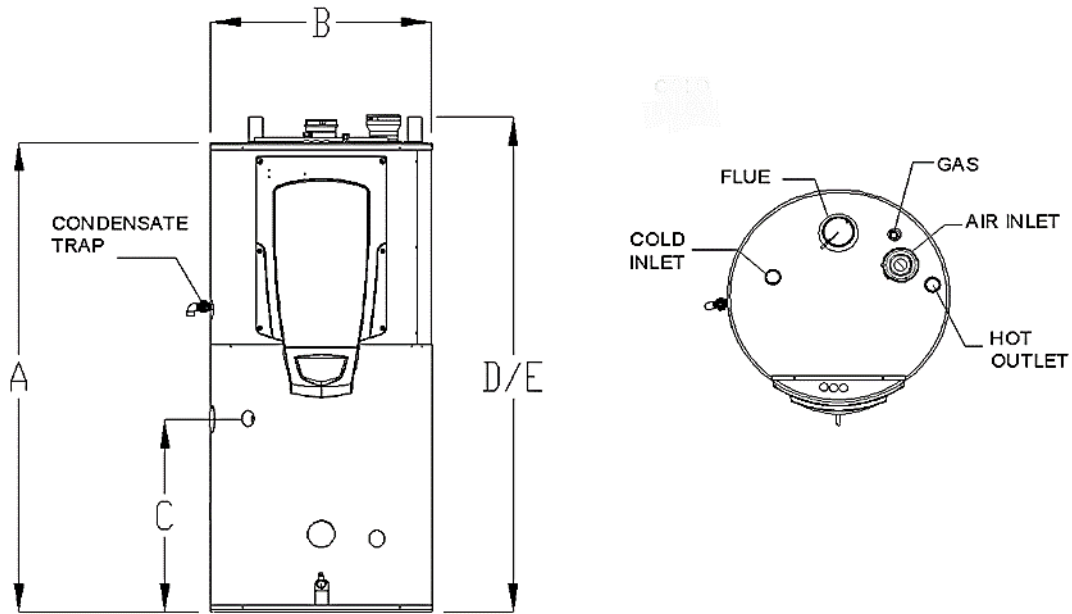
- Dimensions and clearances
- Vented and Unvented installation requirements
- maintenance

#### **ErP and Warranty**

ErP Data including Product Fiche and Energy Labels where applicable and Warranty information are also available at [www.lochinvar.ltd.uk](http://www.lochinvar.ltd.uk)

# TECHNICAL PRODUCT SUBMITTAL

## EcoShield SHW116-410CE



MODEL	HEIGHT	WIDTH	T&P VALVE	COLD FEED	HOT OUTLET
	A	B	C	D	E
SHW35-245	1530	715	755	1610	1610
SHW46-325	1920	715	1117	2005	2005
SHW61-325	1920	715	1126	2005	2005
SHW86-410	1920	865	786	2020	2020
SHW116-410	1920	865	786	2020	2020
SHW146-410	1920	865	786	2020	2020