

TECHNICAL PRODUCT SUBMITTAL

EcoCharger ECH87-480GCE



Nominal Input (net)	kW	79.3
Nominal Input (gross)	kW	88.1
Gas Flow Rate (natural gas)	m ³ /hr	8.3
Nominal Output	kW	85.7
EFFICIENCY DATA-Part L2		
Seasonal Efficiency (Part L2 Gross CV)	%	97
Maintenance consumption value	MJ/M	733.2
Maintenance consumption value	kW/24Hr	6.7
EFFICIENCY DATA-ErP and Energy Label		
Ecodesign Energy Label rating		n/a
Water Heater efficiency	%	93
GENERAL DATA		
NOx emission @0% O ₂	mg/kWh	34
Recovery Rate @ 44°C	l/hr	1700
Recovery Rate @ 50°C	l/hr	1500
Recovery Rate @ 56°C	l/hr	1300
Dimensions (height)	mm	2060
Dimensions (diameter)	mm	850
Storage Capacity	litres	488
Weight (empty)	kg	480
Weight (full)	kg	968
Insulation Thickness	mm	50
Insulation Material		Polyurethane
Hot Outlet Connection (inches)	BSP	R1½
Cold Feed Connection (inches)	BSP	R1½
Gas Connection (inches)	BSP	R¾
Electrical Requirements		230V /1Ph/ 50hz
Power Consumption	W	95
Sound Power Level	LWA(db)	54
Maximum Flue Gas Temperature	°C	50
Max Outlet Temperature	°C	80
Maximum Working Pressure	bar	8.0

EcoCharger water heaters must be installed and maintained in line with the Installation Commissioning and Maintenance Instructions which are available on the Literature & Downloads section of www.lochinvar.ltd.uk

Particular attention should be made to:-

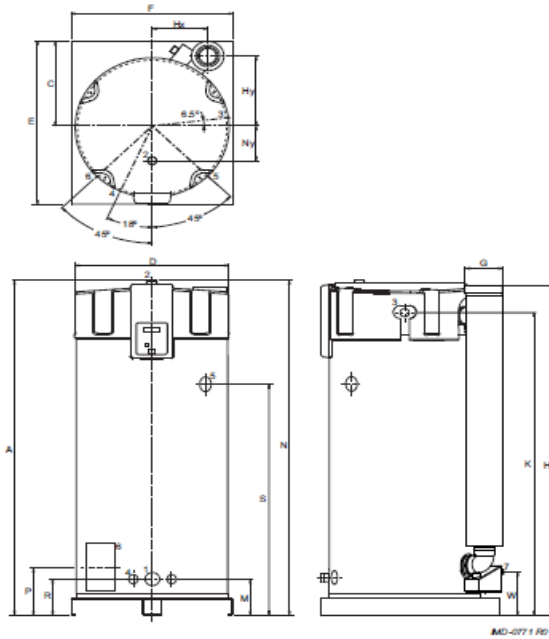
- Dimensions and clearances
- Vented and Unvented installation requirements
- maintenance

ErP and Warranty

ErP Data including Product Fiche and Energy Labels where applicable and Warranty information are also available at www.lochinvar.ltd.uk

TECHNICAL PRODUCT SUBMITTAL

EcoCharger ECH87-480GCE



Water Heater Model			
	ECH87-480GCE	ECH106-480GCE	ECH129-480GCE
A	2060	2060	2060
*C	530	530	530
D	850	850	850
*E	1000	1000	1000
*F	900	900	900
G	130/200	130/200	130/200
H	1995	1995	1995
HX	310	310	310
HY	440	440	440
K	1855	1855	1855
M	225	225	225
N	2060	2060	2060
NY	205	205	205
P	290	290	290
R	225	225	225
S	1425	1425	1425
W	240	240	240

Item No	Description		ECH87-480GCE	ECH106-480GCE	ECH129-480GCE
1	Cold Water Inlet Connection (male)	Inch	R 1½	R 1½	R 1½
2	Warm Water Outlet Connection (male)	Inch	R 1½	R 1½	R 1½
3	Gas Connection (male)	Inch	R ¾"	R ¾"	R ¾"
4	Drain Valve Connection (female)	Inch	¾"	¾"	¾"
5	T&P-valve Connection (female)	Inch	1" - 11.5 NPT	1" - 11.5 NPT	1" - 11.5 NPT
6	Cleaning / Inspection Opening	mm	95 x 70	95 x 70	95 x 70
7	Condense Drain Connection	mm	40	40	40