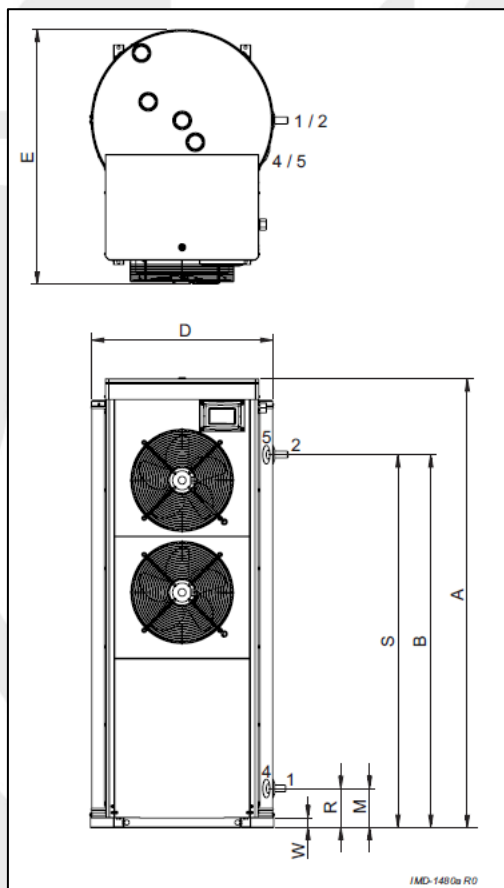


Model		LAAS8-455-6	LAAS8-455-9	LAAS8-455-12
Nominal Input	kW	2.2	2.2	2.2
Nominal Output	kW	8	8	8
EFFICIENCY DATA-Building Regulations				
SCOP (According to EN16147)		3.2	3.2	3.2
Storage vessel heat loss	kWh/24 Hr	2.1	2.1	2.1
EFFICIENCY DATA-ErP				
Ecodesign Energy Label rating		A+	A+	A+
Water Heater efficiency	%	132	132	132
ELECTRICAL DATA				
Electrical Requirements	VAC/Hz/Phase	400 / 3 / 50		
Electric input (Peak)	kW	9.1	11.7	15.1
Number of backup elements	-	2	2	2
Back up element power (each)	kW	3	4.3	6
Backup element power (total)	kW	6	8.6	12
Maximum current (L1) - heat pump	A	9.6	9.6	9.6
Maximum input (L2) - back up element 1 + controls + fans	A	16.9	22.5	30.0
Maximum current (L3) - back up element 2	A	13.0	18.7	26.1
Peak current (= L2)	A	16.9	22.5	30.0
IP-class	-	IPx4		
GENERAL DATA				
Recovery Rate @ 50°C (Efficiency mode)	l/hr	200	220	250
Recovery Rate @ 50°C (Hybrid mode)	l/hr	250	300	350
Storage Capacity	litres	445	445	445
Weight (Empty)	kg	229	229	229
Weight (Full)	kg	684	684	684
Sound Power Level	LWA(dB)	59	59	59
Max Outlet Temperature (Heat pump mode)	°C	65	65	65
Max Outlet Temperature (Electric mode)	°C	82	82	82
Maximum Working Pressure	bar	8	8	8

			LAAS8-455-6	LAAS8-455-9	LAAS8-455-12
A	Device height	mm	1770		
D	Device width	mm	785		
E	Device depth	mm	995		
M	Height cold water supply connection	mm	165		
B	Height hot water outlet connection	mm	1470		
R	Height drain valve connection	mm	165		
S	Height T&P-valve connection	mm	1470		
W	Height condensate drain connection	mm	15		
1	Cold water supply connection (female)	NPT	3/4"		
2	Hot water outlet connection (female)	NPT	3/4"		
4	Drain valve connection (female)	NPT	3/4"		
5	T&P-valve connection (female)	NPT	3/4"		



Aquastore TPS July 2023

WEEE Producer Registration Number – WEE/MM6751AA

Comply Direct Membership Number – CD01/01363

