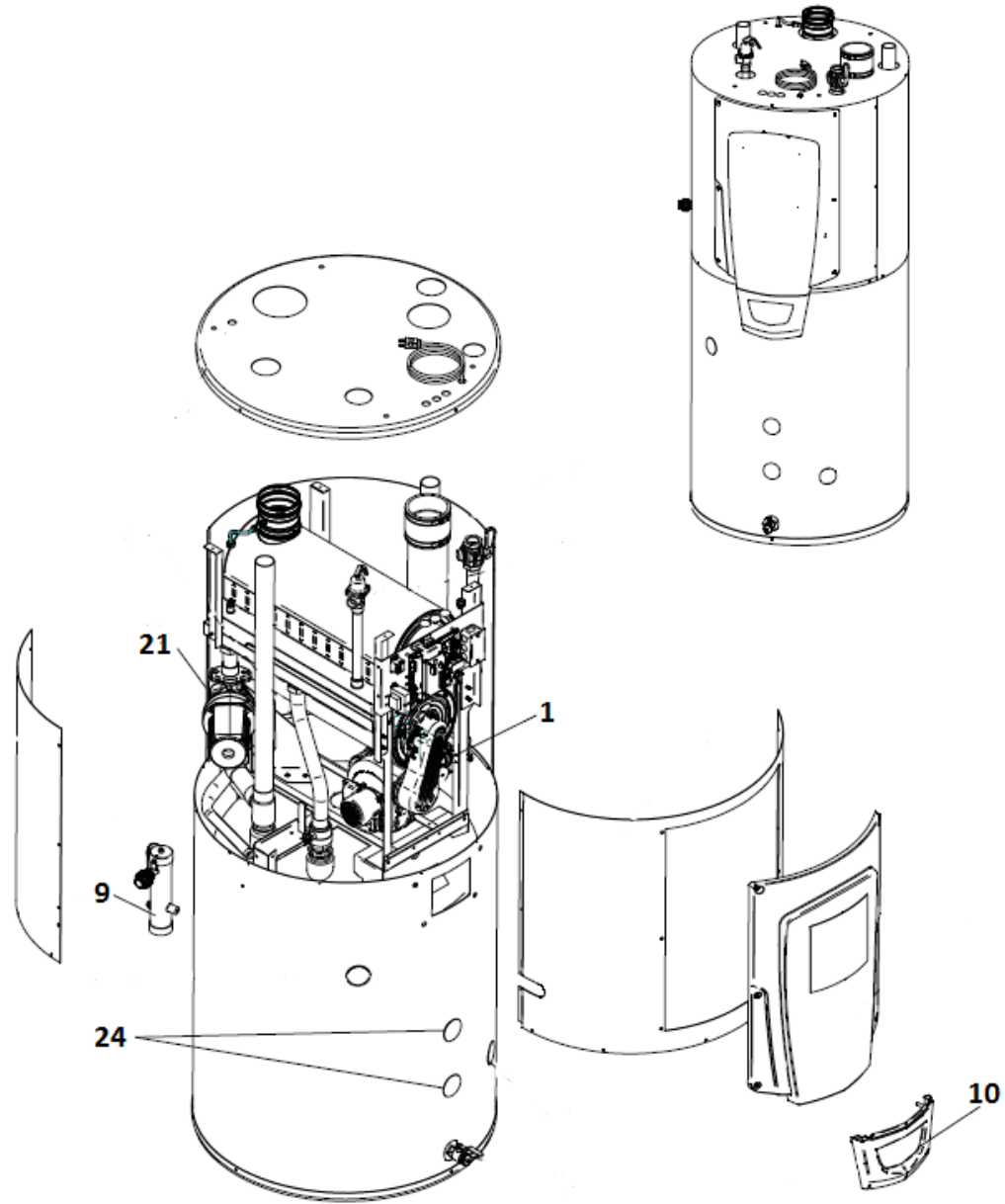


ECOSHIELD v2 WATER HEATER SPARE PARTS FINDER

Item No	Description of item	Item Comments	SHW35-245	SHW46-325	SHW61-325	SHW86-410	SHW116-410	SHW146-410	
1.	AIR PRESSURE SWITCH		PRS20016		PRS20017	PRS20001	PRS20002	PRS20022	
2.	BURNER C/W GASKET		BNR30019	BNR3426	BNR3427	BNR3428	BNR3429		
3.	BURNER CONTROL		RLY40116			RLY40117	RLY40118	RLY40117	
4.	BURNER DOOR GASKET - ROPE		GKT2452						
5.	BURNER DOOR GASKET - RUBBER		GKT2455						
6.	BURNER DOOR INSULATION		FIB2291						
	CLEAN OUT DOOR GASKET	NOT SHOWN ON DRAWING	GKT2101						
7.	HEAT EXCHANGER REAR WALL INSULATION	10mm	FIB2167						
7.	HEAT EXCHANGER REAR WALL INSULATION	16mm	LE04000213						
8.	CONDENSATE TRAP		MSC20260						
	FLAME SENSE PROBE CABLE	NOT SHOWN ON DRAWING	WRE2211						
9.	FLAME SENSE PROBE C/W GASKET		PLT3022						
10.	DISPLAY PCB		RLY20120						
11.	FLUE TEMPERATURE SENSOR GROMMET		-			MSC2200			
12.	FAN ASSEMBLY		FAN2050	FAN2051	FAN2052	FAN2053	FAN2054	FAN2055	
13.	FAN GASKET		GKT2456	GKT2436	GKT2456	GKT2436		-	
14.	FLUE TEMPERATURE SENSOR		TST20007			TST30011			
15.	GAS VALVE ASSEMBLY	NAT GAS AND LPG	VAL30071	VAL30072	VAL30073	VAL30074	VAL30075	VAL30076	
16.	IGNITION CABLE		WRE2209						
17.	IGNITION ELECTRODE C/W GASKET		PLT3021						
18.	INLET TEMPERATURE SENSOR		TST20037						
19.	OUTLET TEMPERATURE SENSOR/HIGH LIMIT		TST20038						
20.	STEP DOWN POWER TRANSFORMER		LL100170179						
21.	PUMP		PUM20081			PUM20082		PUM20083	
22.	PUMP RELAY		RLY2610						
23.	VENTURI GASKET		GKT2443				GKT2444		
24.	MAGNESIUM ANODE		WTR2500						
25.	HEAT EXCHANGER C/W GASKETS/FITTINGS	RECOMMEND LOCHINVAR FIT THIS ITEM	LL100276500	LL100276580	LL100276591	LL100276592	LL100276594	LL100276595	
26.	LOW VOLTAGE CONNECTION BOARD		LL100167623						
27.	AIR SHROUD GASKET		-						GKT2080

ECOSHIELD v2 WATER HEATER SPARE PARTS FINDER



ECOSHIELD v2 WATER HEATER SPARE PARTS FINDER

