

TTW WATER HEATER SPARE PARTS FINDER – (FROM SERIAL NUMBER 014-258-0000xx-xx-xx)

CASING			USE DRAWING 1	
Item No	Description of item	Item Comments	TTW410	TTW580
1	SIDE PANEL			LE01000124
2	ELECTRICAL COVER			LE01000337
3	TOP COVER			LE01000380
4	REAR COVER			LE01002114
5	COVER UPPER LIMIT SWITCH			LE01002128
6	COVER LOWER LIMIT SWITCH			LE01002129
7	WHEEL ASSEMBLY	-		LE04000307
8	FRONT PANEL			LE01000215

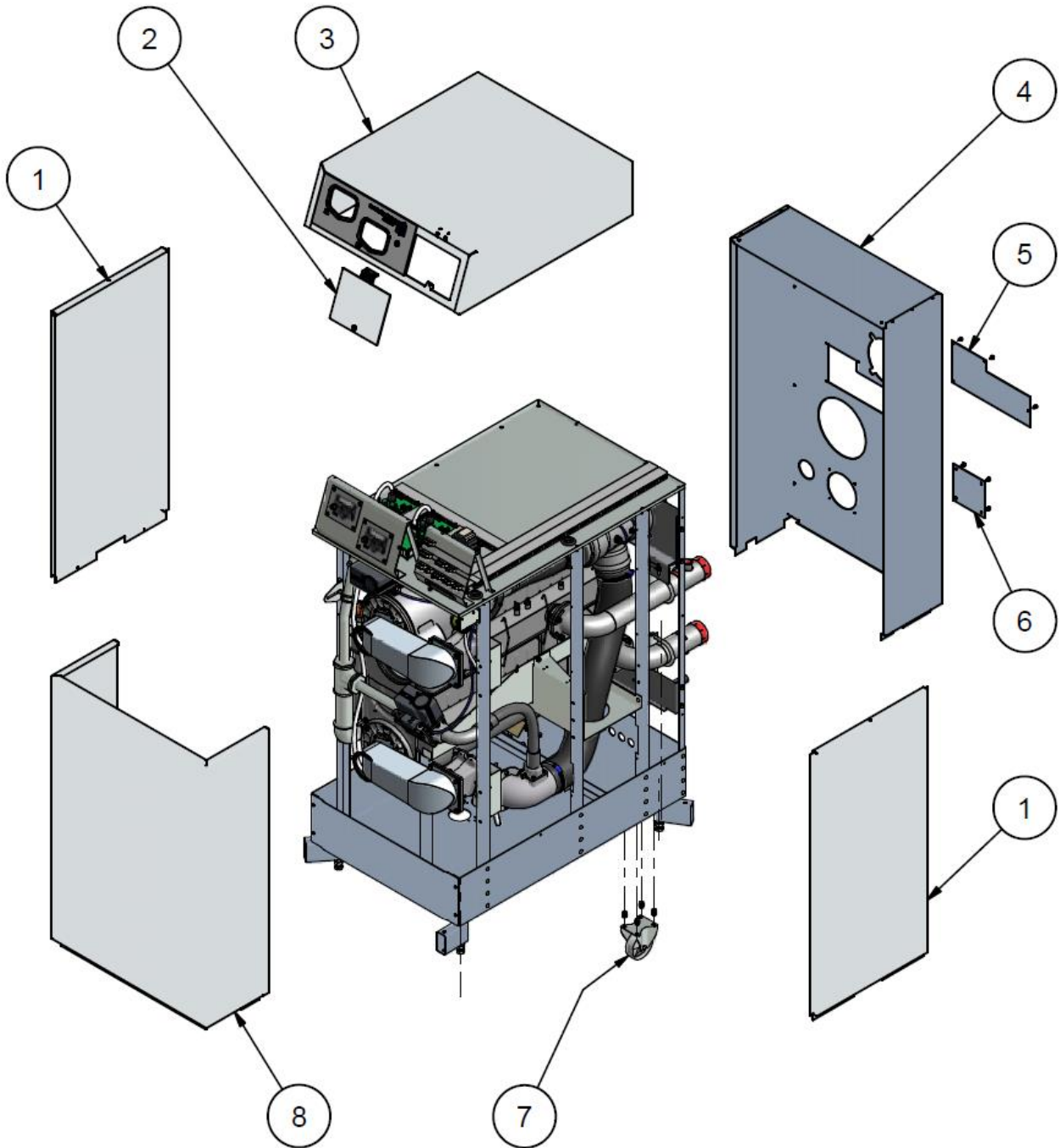
ELECTRICAL			USE DRAWING 2	
Item No	Description of item	Item Comments	TTW410	TTW580
1	RELAY			LE04016425
2	CONNECTOR PLUG 2 POLE			LE04016291
2	CONNECTOR PLUG 3 POLE			LE04016292
2	CONNECTOR PLUG 4 POLE			LE04016293
2	CONNECTOR PLUG 6 POLE			LE04016295
3	FLUE BUNG (TEST POINT) – 15mm			LE05001062
4	REPLACEMENT KIT DISPLAY	-		LE04000310
5	WATER HEATER CONTROL UPPER BURNER	STATE MODEL AND SERIAL NO.	LE0802EN014 (NEEDS PROGRAMMED TO MODEL)	
6	WATER HEATER CONTROL LOWER BURNER	STATE MODEL AND SERIAL NO.	LE0802EN014 (NEEDS PROGRAMMED TO MODEL)	
7	FUSE SET X10			LE04016582

GAS AND AIR GROUP			USE DRAWING 3	
Item No	Description of item	Item Comments	TTW410	TTW580
1	GASKET AIR MIXING PIPE – BURNER DOOR		LE07001105	
2	AIR CHECK VALVE ASSY	INCLUDES SENSORS (ITEM 22)	LE04015077	
3	GAS VALVE FLANGE	1 ¼" BSP	LE04010169	
4	O-RING	Ø53 X 3.5 mm	LE07002035	
5	GAS VALVE		LE04000199	
6	GAS VALVE FLANGE	1" BSP	LE04010149	
7	FLEXIBLE GAS TUBE	Ø1 ¼" L = 485mm	LE02000188	
8	RESTRICTOR	TTW410 = 45mm TTW510 = 40mm	LE01000355	LE01000353
9	HOSE CLAMP	Ø104 – 138mm	LE04010154	
10	AIR HOSE	Ø108 mm L = 280mm	LE04007091	
11	AIR INLET ASSEMBLY		LE04000-12	
12	AIR INLET ADAPTOR	Ø160 - 180 mm L = 125mm	LE04018073	
13	PA-HOSE	Ø06 X 4 mm L = 1475mm	LE04007129	
14	STRAIGHT BULKHEAD COUPLING	Ø06 X 1/8" BSP FEMALE	LE04000311	
15	PG-9 SWIVEL + CABLE GLAND 8MM	8mm	LE05000064	
16	HOSE AIR INLET	Ø108 mm L = 1020mm	LE04007098	
17	FLEXIBLE GAS TUBE	Ø1 ¼" L = 485mm	LE02000188	
18	RESTRICTOR	TTW410 = 40mm TTW510 = 34mm	LE01000353	LE01000354
19	GASKET FAN/MIXING PIPE		LE07003086	
20	COMBUSTION FAN		LE04000200	
21	FAN GASKET/CHECK VALVE		E07-001-087	
22	PROXIMITY SWITCH		LE04016622	
23	GASKET GAS/AIR INLET PIPE		LE07001073	LE07001070
24	STE OF 5X TORX SCREW	M5X16mm	LE06023003	
25	GAS/AIR MIXING PIPE FAN TO BURNER	C/W BURNER GASKET (ITEM 1)	LE01000250	

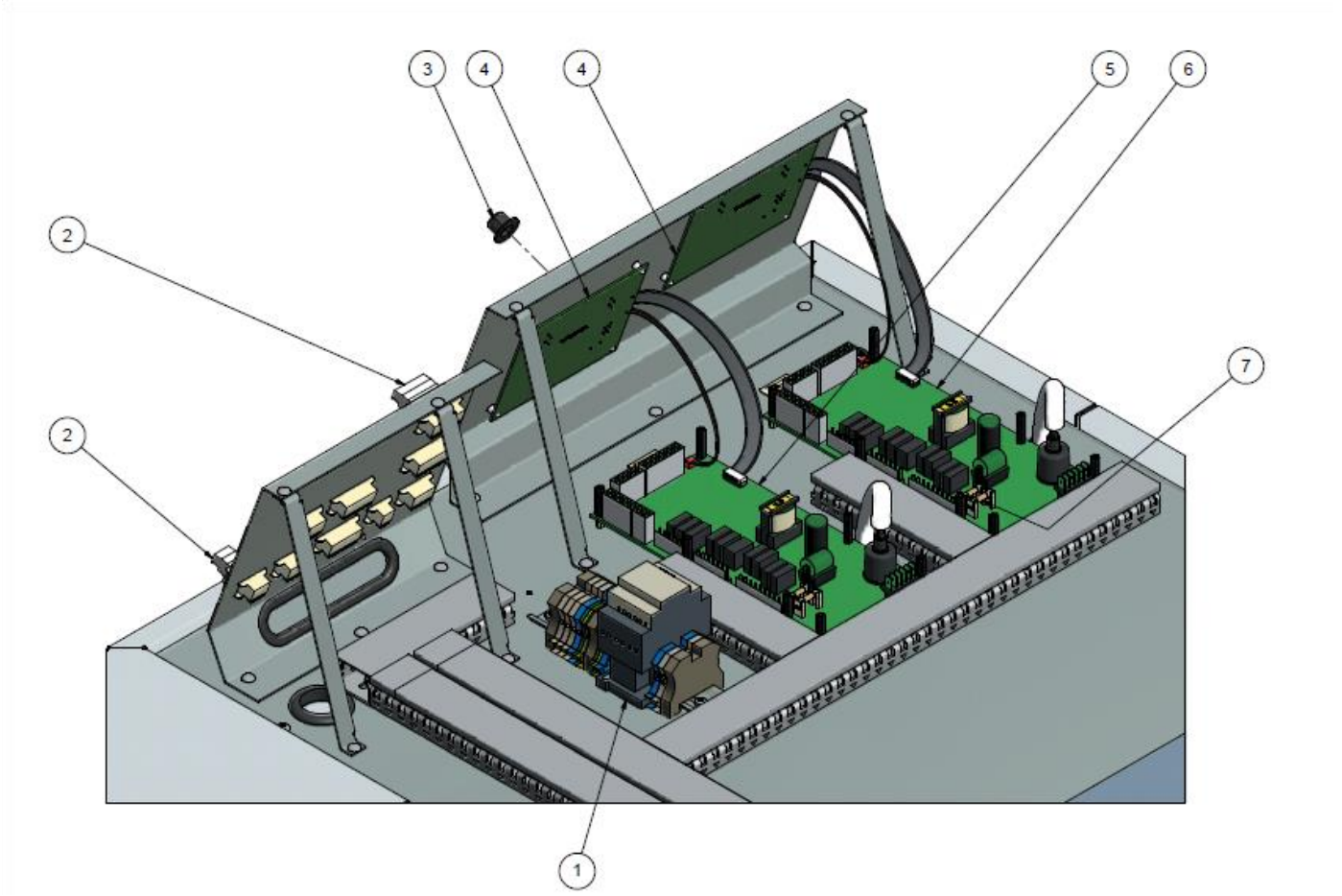
HEAT EXCHANGER/BURNER			USE DRAWING 4	
Item No	Description of item	Item Comments	TTW410	TTW580
1	LOWER IGNITION CABLE	L = 1300mm	LE04000247	
2	UPPER IGNITION CABLE	L= 800mm	LE04000248	
3	BURNER	C/W GASKET	LE04000-95	LE04000196
4	BURNER DOOR STAT	260 °C	LE04016-65	
5	FLANGE NUT X 10	M6	LE06023001	
6	BURNER DOOR	C/W TORX SCREWS M5X16	LE04000218	
7	BURNER DOOR INSULATION	Ø1 ¼" L = 485mm	LE07010114	
8	BURNER DOOR GASKET		LE07004060	
9	COMBUSTION CHAMBER REAR WALL INSULATION	16mm	LE04000213	
10	MAINTENANCE KIT HEAT EXCHANGER	ITEMS 7,8 & 9	LE04000245	
11	FLUE TEST PLUGS	2 IN KIT	LE04000214	
12	N/A	ONLY ON TTB RANGE	-	
13	N/A	ONLY ON TTB RANGE	-	
14	WATER PRESSURE SWITCH	10 BAR	LE04015081	
15	AUTOMATIC AIR VENT	¾" BSP	LE04015075	
16	HOSE CLAMP	Ø11.6 – 12.3mm	LE04010178	
17	HOSE	Ø12X8mm L= 1300mm	LE0400769	
18	HEAT EXCHANGER INSULATION		E07-010-116	E07-010-115
19	INSULATION CLAMP		LE09002024	
20	HIGH LIMIT STAT	85 °C	LE04016066A	
21	FLOW/RETURN TEMPERATURE SENSOR	1/8"	LE04016287	
22	REAR WALL HIGH TEMP LIMIT SWITCH	CONSULT LOCHINVAR LTD	-	
23	FLUE GAS TEMPERATURE SENSOR	¼"	LE04016694	
24	FLUE GAS ADAPTOR	Ø7 – 180mm L = 170mm	LE0401872	
25	FLUE GAS PIPE	TTW 410 ONLY Ø180mm L = 150mm	LE04018089	-

HEAT EXCHANGER/BURNER - CONTINUED			USE DRAWING 4	
Item No	Description of item	Item Comments	TTW410	TTW580
26	FLOW/RETURN GASKET		LE07003087	
27	CLAMP FLOW PIPE		LE01000311	
28	FLOW SWITCH		LE04016571	LE04016572
29	CLAMP RETURN PIPE		LE01000312	
30	RETURN CONNECTION		LE02000191	LE02000193
31	FLOW CONNECTION		LE02000190	LE02000192
32	FLOW AND RETURN CONNECTION		LE02000164	LE02000165
33	CONDENSATE HOSE	LDPP ø25mm L=850mm	LE04007099	
34	PRESSURE SWITCH ASSEMBLY	WITH SNAP RING	LE04000357	
35	PRESSURE SWITCH HOSE ASSEMBLY		LE04000356	
36	HOSE	PVC ø27 X 19mm L=55mm	LE04007076	
37	SIPHON		LE05000125	
38	SIPHON CONNECTION ASSEMBLY		LE05000120	
39	HOSE CLAMP	ø25.4mm	LE04010144	
40	HEAT EXCHANGER		LE04000292	LE04000293
41	GASKET AIR MIXING PIPE – BURNER DOOR		LE07001105	
42	KNURLED IGNITION ELECTRODE		LE04000372	

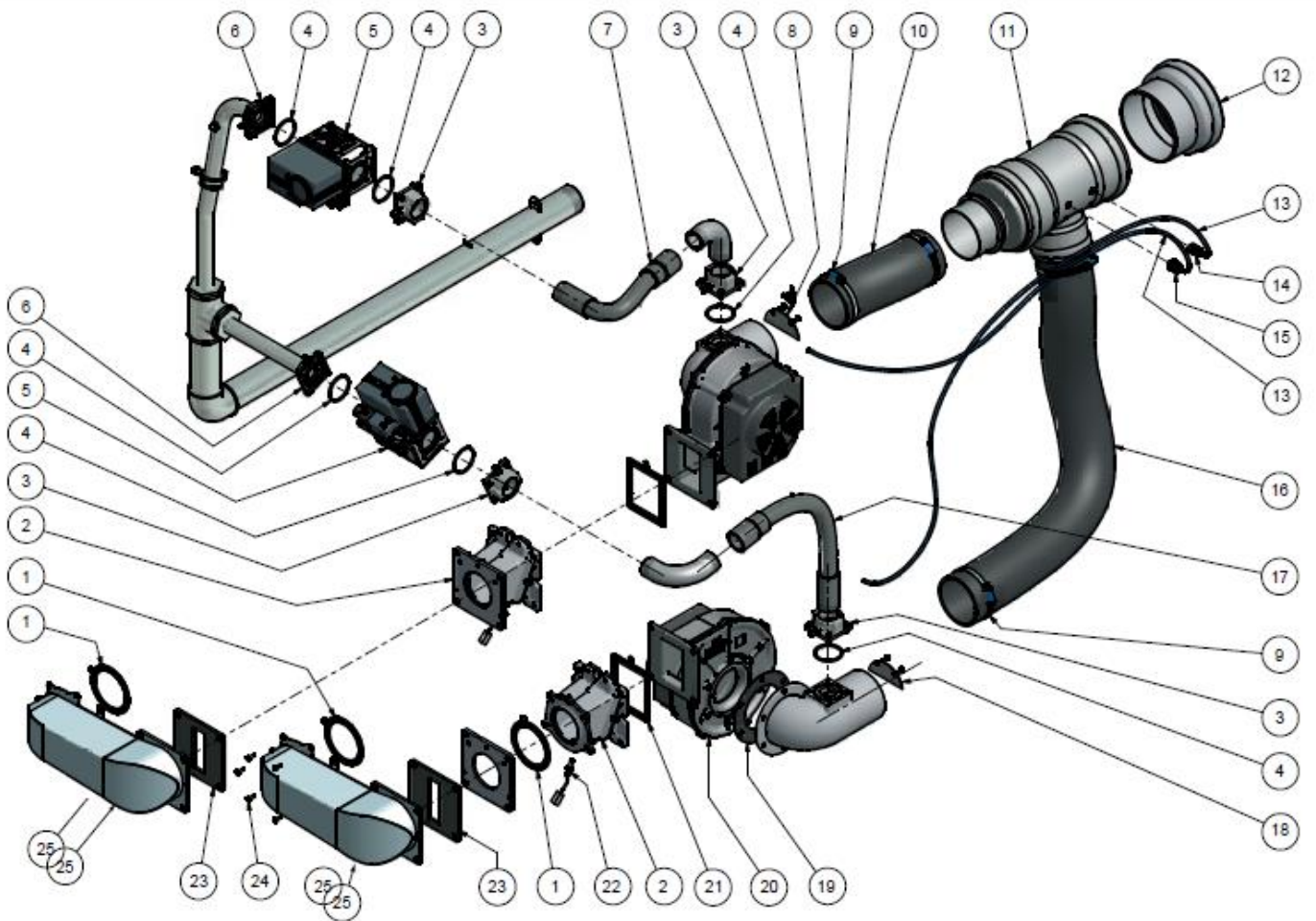
DRAWING 1



DRAWING 2



DRAWING 3



DRAWING 4

