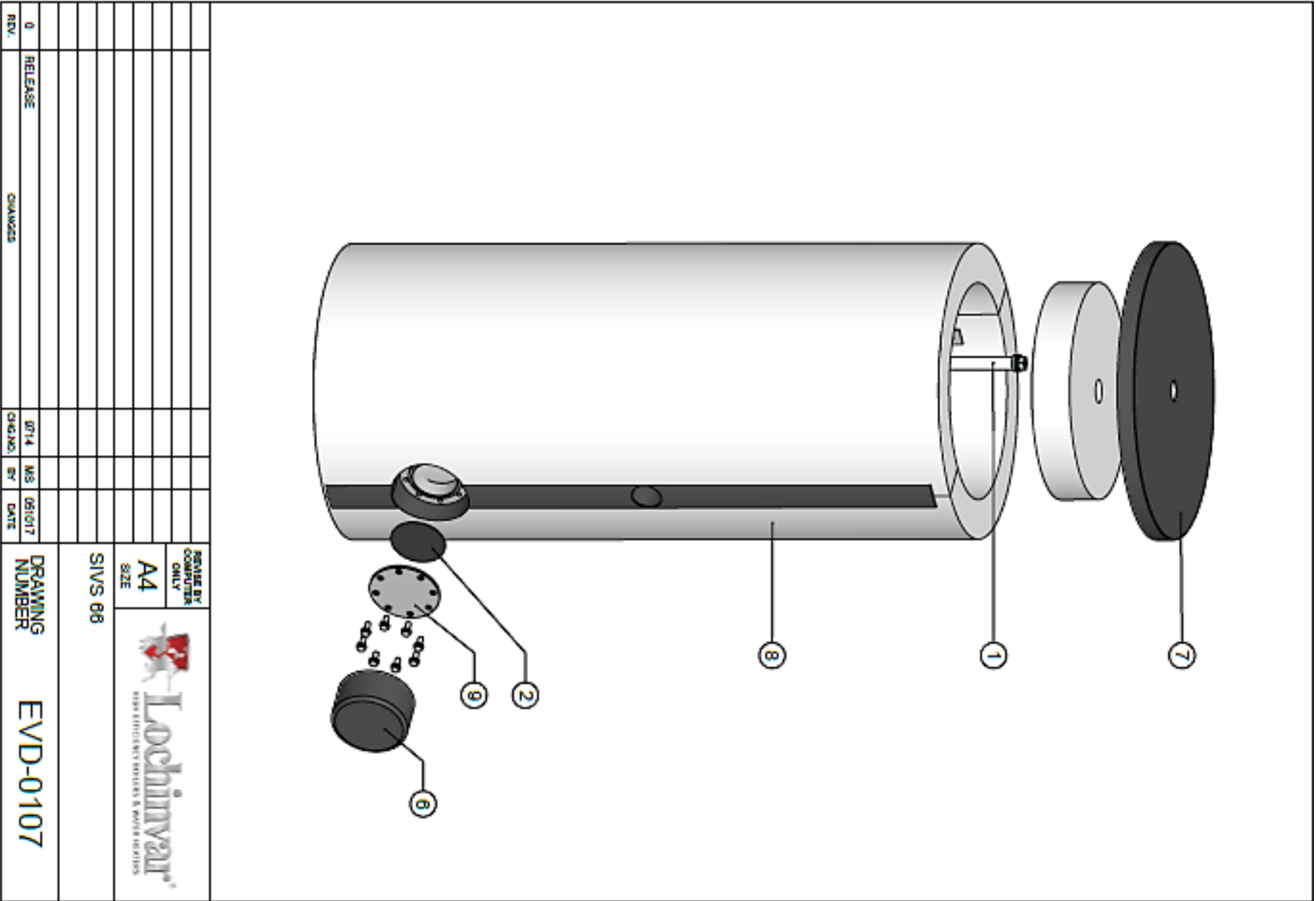


Spares Parts List

SIVS66 - 220 GE from 1-6-2017

Nr.	Description of Item	Item Comments	Refer To Drawing on					
			Page 2	Page 3				
			SIVS66GE	SIVS100GE	SIVS110GE	SIVS130GE	SIVS165GE	SIVS220GE
1	Anode	Anode IT (L)	LV312657	-				
		Anode Magnesium 730mm 1¼"	-	LV0301637	-			
		Anode Magnesium 970mm 1¼"	-	LV0301639	-			
		Anode Magnesium 1360mm 1¼"	-	-			LV0301641	
	Flexible Anode	Anode Magnesium Flex 1¼"	-	LV301727				
2	Inspection Door Gasket	Gasket Clean Out (L)	LV312658	-				
		Gasket Flange	-	LV301535	LV301536			
6	Clean out door Cover Front	Cover Front	LV312661	LV304507				
7	Top Cover Jacket	Cover Jacket	LV312667	LV312778	LV312779			
8	Complete Insulation Package including Top cover Jacket above	Insulation I2-300 ALU (L)	LV312654	-				
		Insulation I1-400 ALU	-	LV312709	-			
		Insulation I1-500 ALU	-	LV312710	-			
		Insulation I1-600 ALU	-	-	LV312711	-		
		Insulation I1-750 ALU	-	-	-	LV312712	-	
		Insulation I1-1000 ALU	-	-	-	LV312713		
9	Inspection Door	Clean Out Flange (L)	LV312659	-				
		Flange	-	LV301517	-			
			-	-	LV301534			

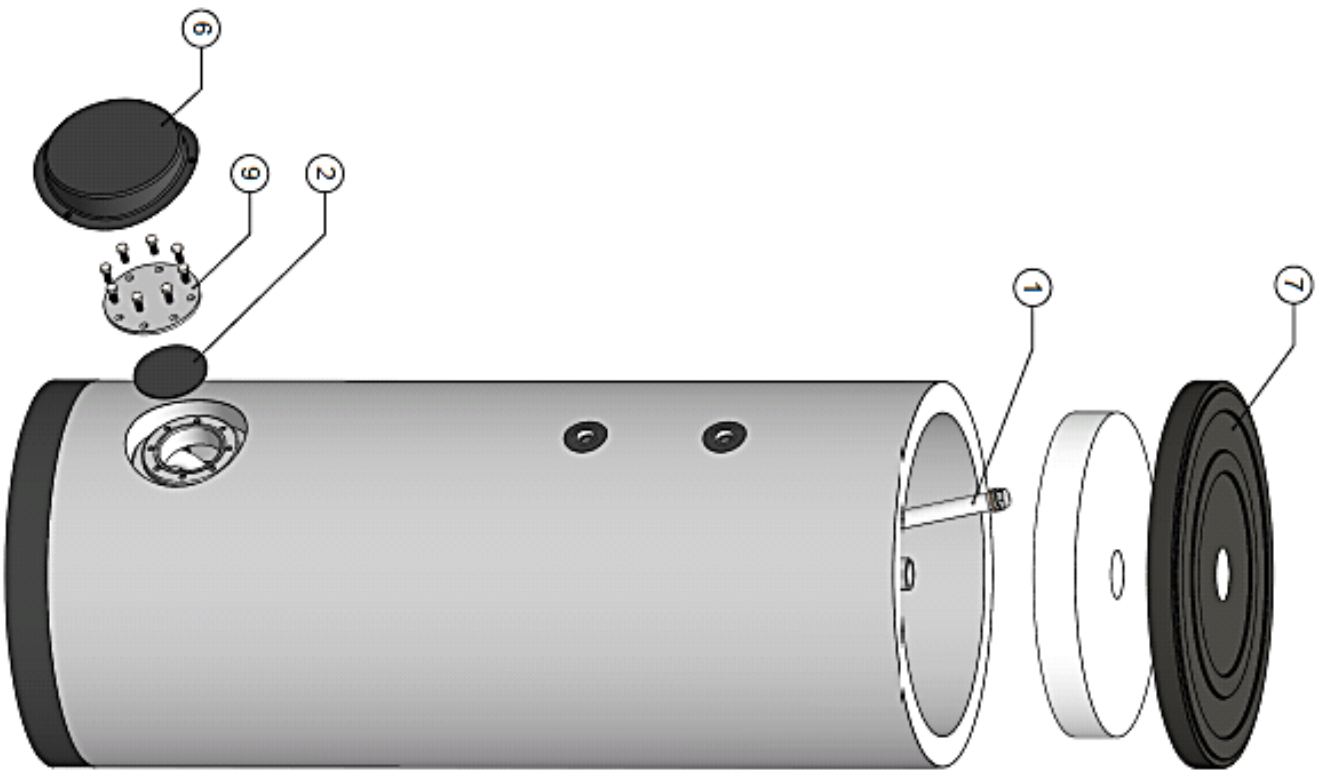


REV.	RELEASE	CHANGES	REQD.	MS	DATE	REVISED BY	COMP. ONLY
0			0714	MS	05/10/17		

SIZE: A4
SIVS 88

REVIEW BY: COMPUTER ONLY
DRAWING NUMBER: EVD-0107

Lochinvar
HIGH EFFICIENCY BURNERS & WATER HEATERS



LINEAR TOLERANCES UNLESS NOTED DECIMALS ± 0.1mm / ANGLES ± 2°		REVERSE BY COMPUTER ONLY		AM PROJ.		SCALE					
SIDE TOLERANCES SHAPE AND PLACE TOLERANCES ACC. NEN-ISO 1101		ACC. NEN-ISO 408 ACC. NEN-ISO 1101				---		Designed with DS SolidWorks		Lochinvar High Efficiency Water Heaters and Boilers	
0	RELEASE	7962	MS	220114							
REV.	CHANGES	CHG. NO.	BY	DATE	CH						
MATERIAL FINISH SPEC.										A4 SIZE SIVS 100-220	
PART NUMBER										EVD-0079	