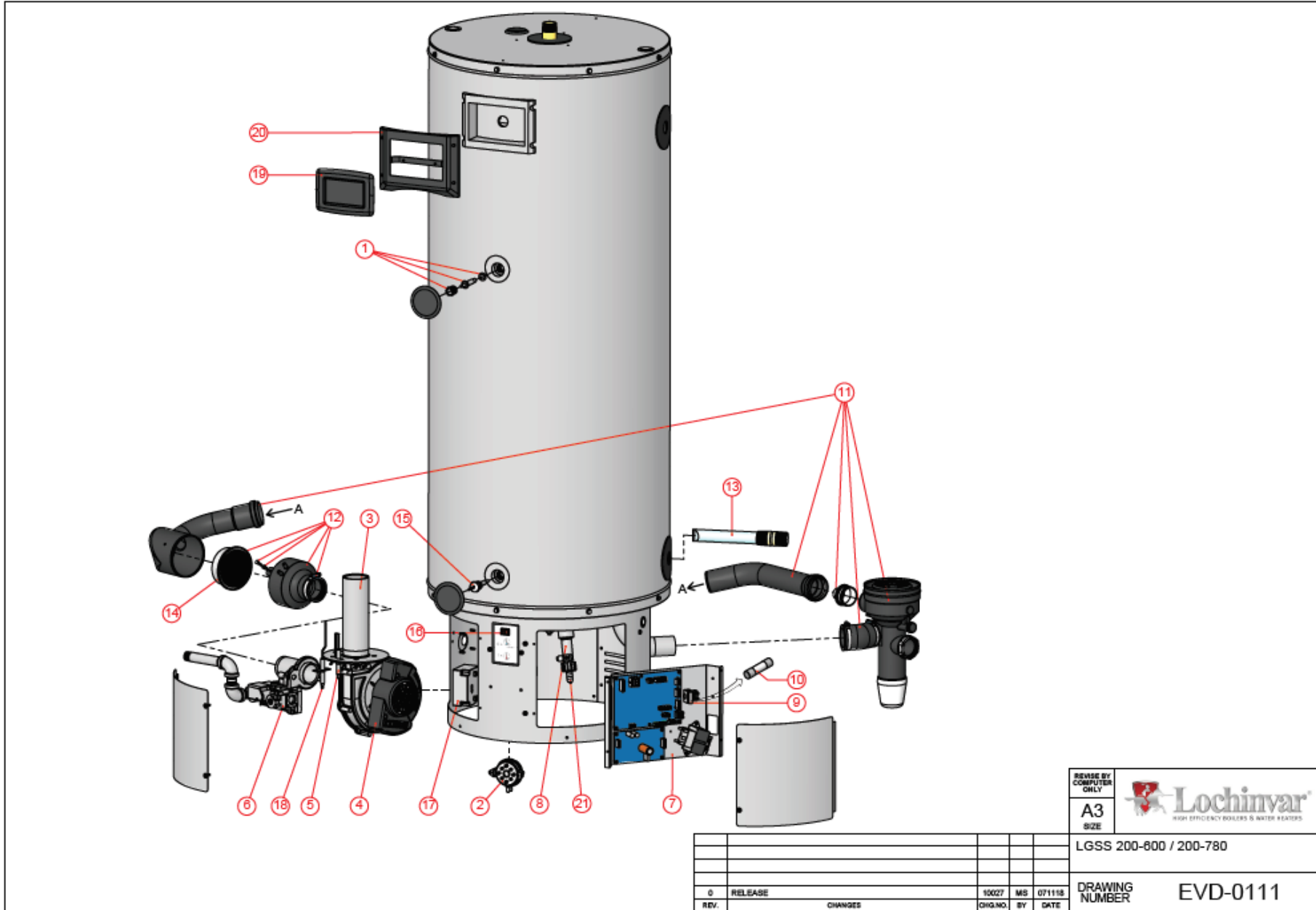


EcoSable WATER HEATER SPARE PARTS FINDER

Refer to Drawing EVD-0111				
No	Description of Item	Item Comments	Item No	
			LGSS200-600GCE	LGSS200-780GCE
1	Temperature Sensor	Kit,Sensor,ECO,Honeywell,Polaris,w/screws	LV313306	
2	Air Proving Switch	(370 Pa)	LV324512	
3	Burner	w/gasket&hrdwr	LV313305	
4	Fan	Kit,Blower Assy, RG-148	LV313313	
5	Igniter	Kit,Spark, Rod/Cable Assembly	LV313304	
6	Gas Valve	Kit,Gas Valve/Venturi Assy	LV313302	
7	Control Board		LV313552	LV313312
8	Drain Valve		LV6907316	
9	Fuse Holder		LV313362	
10	Fuse	Fuse (5x20) 2AT 250V	LV313361	
11	Condensate Drain Assy		LV313290	
12	Connector Venturi Assy		LV313291	
13	Water Inlet tube		LV313310	
14	Air Inlet Filter		LV3710169	
15	Sensor Kit	Tasseron	LV313301	
16	On/Off Swich		LV313309	
17	Ignition,Transformer		LV313311	
18	Flame Sensor		LV313303	
19	Digital Display	Kit,Uim Assy,NX-Gen,PRG,Gen,W/Srews	LV313308	
20	Display Bezel	Kit,Display,Uim,Bezel,TWI,W/Screws	LV313307	
21	Hose connector Drain Valve	Hose Connector Drain Valve	LV070065	

EcoSable Spare Parts October 2019



REVISE BY COMPUTER ONLY	 HIGH EFFICIENCY BOILERS & WATER HEATERS
A3 SIZE	

LGSS 200-800 / 200-780

REV.	CHANGES	CHKD.	BY	DATE
0	RELEASE	10027	MS	07/11/18

DRAWING NUMBER EVD-0111