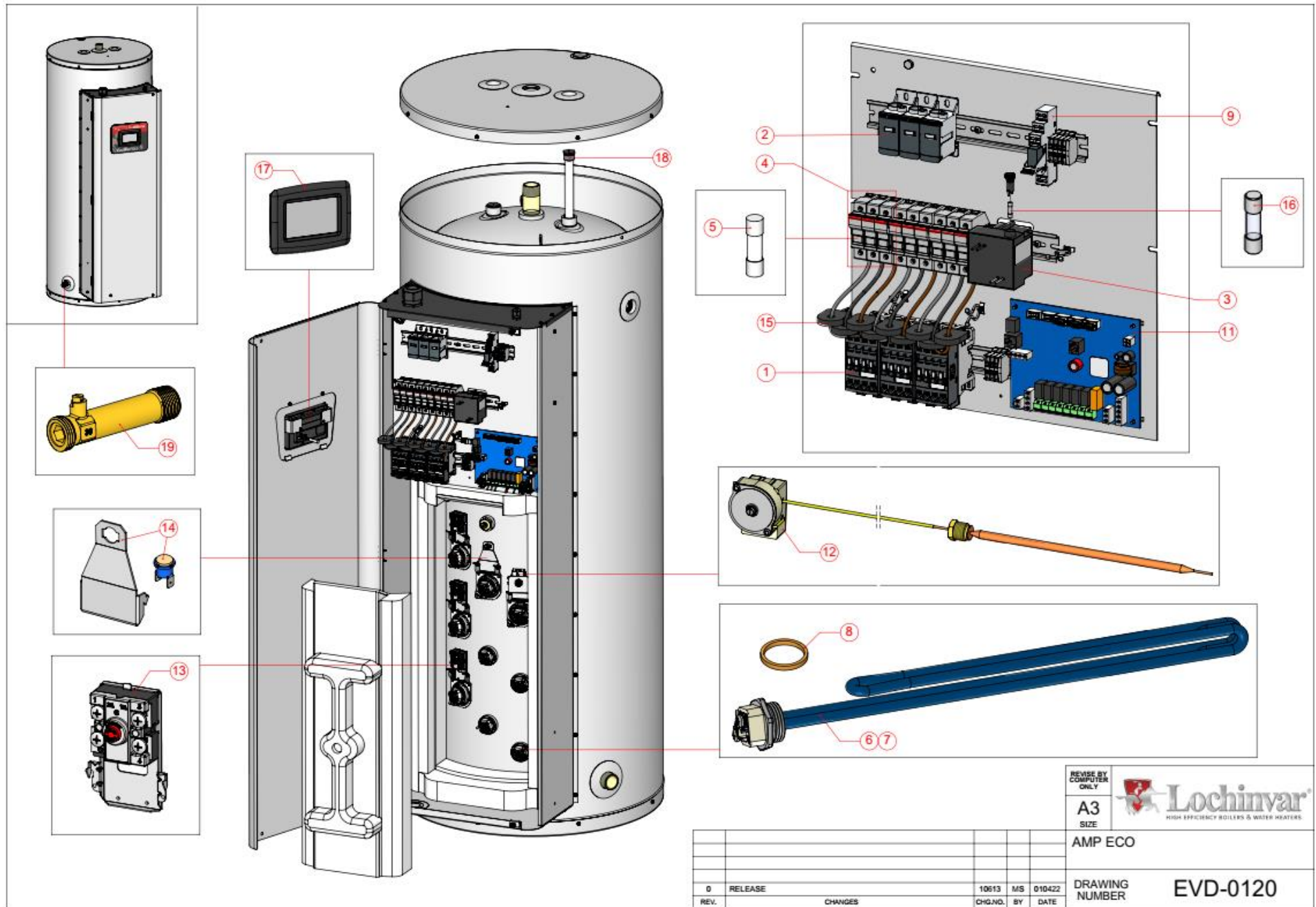


Spares Parts List

CAVALIER ECO ELECTRIC WATER HEATER

No	Description item	Refer to Drawing EVD-0120 Below						
		AMP200-9 ECO	AMP200-18 ECO	AMP200-36 ECO	AMP300-9 ECO	AMP300-18 ECO	AMP300-36 ECO	AMP300-54 ECO
1	Relay	LV313780	LV313780	LV313780	LV313780	LV313780	LV313780	LV313780
2	Terminal Block	LV313781	LV313781	LV313781	LV313781	LV313781	LV313781	LV313781
3	Transformer 400-28VAC	LV313782	LV313782	LV313782	LV313782	LV313782	LV313782	LV313782
4	Fuse Holder	LV313783	LV313783	LV313783	LV313783	LV313783	LV313783	LV313783
5	Element Fuse (gG 400VAC/32A)	LV310104	LV310104	LV310104	LV310104	LV310104	LV310104	LV310104
6	Electrical Heating Element (3 kW)	LV313790	n/a	n/a	LV313790	n/a	n/a	n/a
7	Electrical Heating Element (6 kW)	n/a	LV313791	LV313791	n/a	LV313791	LV313791	LV313791
8	Gasket for heating Element	LV042537	LV042537	LV042537	LV042537	LV042537	LV042537	LV042537
9	Alarm Relay	LV313944	LV313944	LV313944	LV313944	LV313944	LV313944	LV313944
10	Cable Assy	LV313935	LV313935	LV313936	LV313935	LV313935	LV313936	LV313937
11	Control	LV313835	LV313835	LV313836	LV313835	LV313835	LV313836	LV313837
12	Main Safety Thermostat Models produced <11/2/24	LV313784	LV313784	LV313784	LV313784	LV313784	LV313784	LV313784
12	Main Safety Thermostat models produced >12/2/24	LV338202	LV338202	LV338202	LV338202	LV338202	LV338202	LV338202
13	Row Safety Thermostat	LV313938	LV313938	LV313938	LV313938	LV313938	LV313938	LV313938
14	Temperature Sensor	LV313811	LV313811	LV313811	LV313811	LV313811	LV313811	LV313811
15	Element Current Sensor	LV313945	LV313945	LV313945	LV313945	LV313945	LV313945	LV313945
16	Transformer Fuse (T1AL250)	LV310099	LV310099	LV310099	LV310099	LV310099	LV310099	LV310099
17	Display	LV313946	LV313946	LV313946	LV313946	LV313946	LV313946	LV313946
18	Magnesium Anode	2 X LV313623	2 X LV313623	2 X LV313623	2 X LV313623	2 X LV313623	2 X LV313623	2 X LV313623
19	Drain Valve	LV313939	LV313939	LV313939	LV313939	LV313939	LV313939	LV313939



REVISE BY COMPUTER ONLY				 HIGH EFFICIENCY BOILERS & WATER HEATERS	
A3 SIZE					
AMP ECO				DRAWING NUMBER	
				EVD-0120	
0	RELEASE	10613	M/S	010422	
REV.	CHANGES	CHG.NO.	BY	DATE	