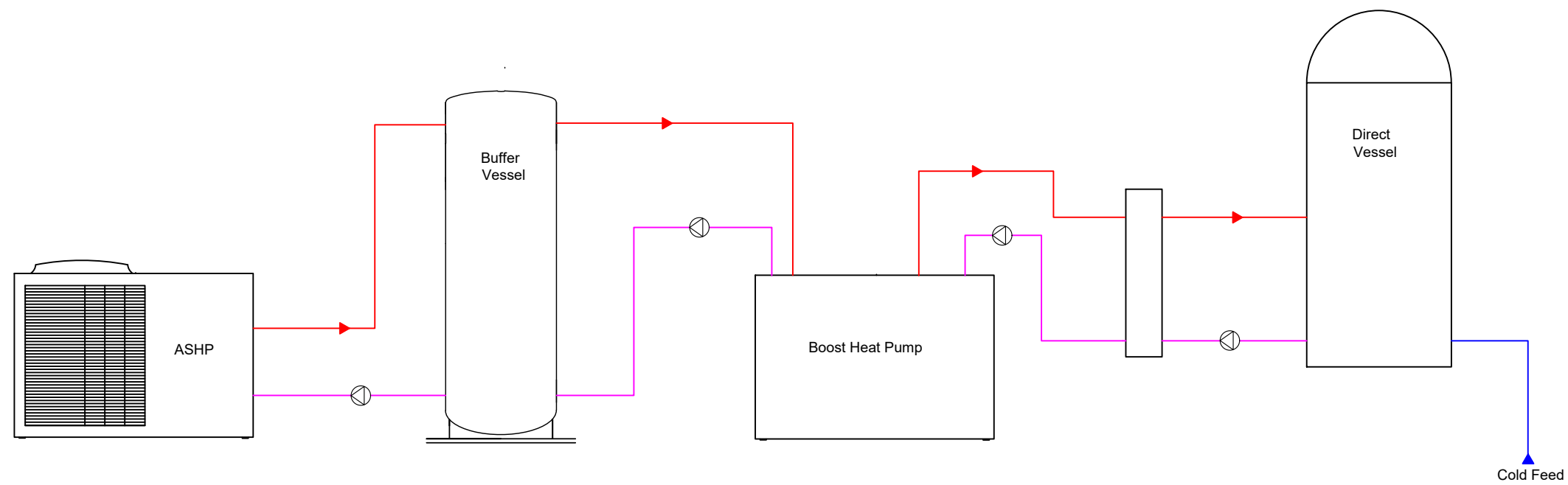


Lochinvar Ltd
 7 Lombard Way
 The MXL Centre, Banbury
 Oxon, OX16 4TJ

Tel: +44 (0) 1295 269981
 Fax: +44 (0) 1295 271640
 Email: info@lochinvar.ltd.uk



0	SH	SA	18/11/19	
REV	DRAWN	CHKD	DATE	DETAIL

Description :
 ASHP WORKING WITH A BOOST HEAT PUMP

SHEET SIZE	A3	SCALE	NTS
DRAWING NO.	RD		

Lochinvar Ltd reserves the right to change specifications without prior notice.
 All necessary additional valves and fittings to be determined by those other than Lochinvar Ltd.
 Lochinvar Limited may provide technical advice and guidance to assist with best practice, optimisation and installation of Lochinvar products; however, we will not be liable for any duties as Designers under Construction (Design and Management Regulations 2015). In all cases where information is provided, the customer must assess and manage risks associated with the technical information and advice provided.