

Impetus Flue Assemblies and Ancillaries

For use with Models:
IM550GCE
IM750GCE
IM1250GCE



Contents

	Page No.
<u>Horizontal Concentric flue assembly IM550,IM750</u>	<u>3</u>
<u>Horizontal Concentric flue assembly IM1250</u>	<u>4</u>
<u>Vertical Concentric flue assembly IM550,IM750</u>	<u>5</u>
<u>Vertical Concentric flue assembly IM1250</u>	<u>6</u>
<u>Horizontal Twin-pipe flue assembly IM550,IM750</u>	<u>7</u>
<u>Horizontal Twin-pipe flue assembly IM1250</u>	<u>8</u>
<u>Vertical Twin-pipe flue assembly IM550,IM750</u>	<u>9</u>
<u>Vertical Twin-pipe flue assembly IM1250</u>	<u>10</u>
<u>HorizontalConventional Flue assembly IM550,IM750</u>	<u>11</u>
<u>HorizontalConventional Flue assembly IM1250</u>	<u>12</u>
<u>Vertical Conventional Flue assembly IM550,IM750</u>	<u>13</u>
<u>Vertical Conventional Flue assembly IM1250</u>	<u>14</u>

IMH001

CONCENTRIC HORIZONTAL FLUE ASSEMBLY-IM550,IM750

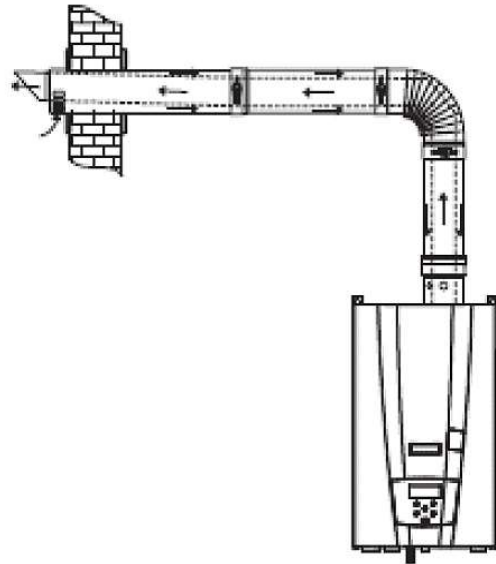
COMPONENTS INCLUDED

Item No.	Description	Included
LV312247	CONCENTRIC HORIZONTAL TERMINAL Ø60/100mm	1
LV312237	CONCENTRIC BEND 90° Ø60/100mm PP	1

Maximum equivalent flue length =10 Metres

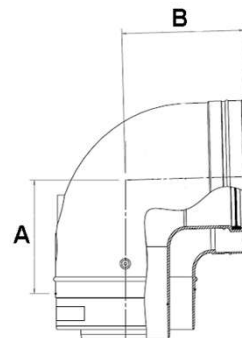
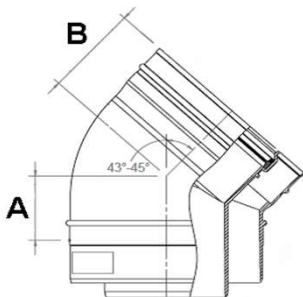
Bend 90° 1 Meter Equivalent Flue Length

Bend 45° 0.5 Meter Equivalent Flue Length



ADDITIONAL FLUE ANCILLARY ITEMS

Item No.	Description
LV312239	CONCENTRIC EXTENSION Ø60/100mm(250mm) PP FIXED
LV312240	CONCENTRIC EXTENSION Ø60/100mm(500mm) PP FIXED
LV312241	CONCENTRIC EXTENSION Ø60/100mm(1000mm) PP FIXED
LV312242	CONCENTRIC EXTENSION Ø60/100mm(2000mm) PP FIXED
LV312243	CONCENTRIC EXTENSION Ø60/100mm(280-395mm) PP TELESCOPIC
LV312244	CONCENTRIC EXTENSION Ø60/100mm(100-450mm) PP CUT TO LENGTH
LV312236	CONCENTRIC BEND 45° Ø60/100mm PP A=60mm, B=40mm
LV312237	CONCENTRIC BEND 90° Ø60/100mm PP A=80mm,B=100mm
LV312238	CONCENTRIC T-PIECE Ø60/100mm PP INSPECTION



IMH002

CONCENTRIC HORIZONTAL FLUE ASSEMBLY-IM1250

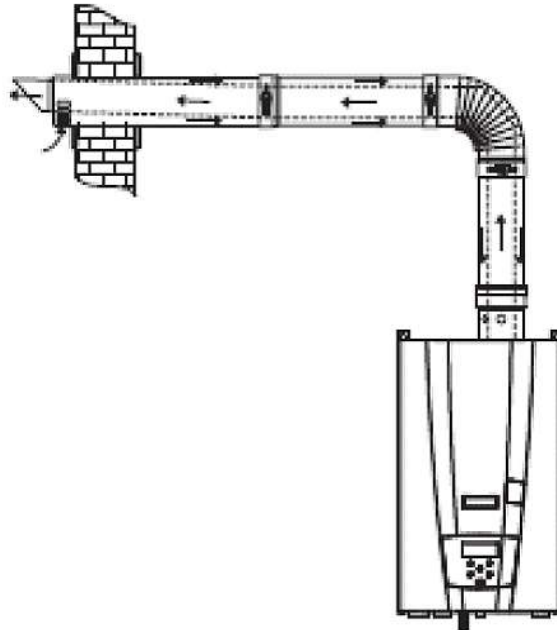
COMPONENTS INCLUDED

Item No.	Description	Included
M86934	CONCENTRIC HORIZONTAL TERMINAL Ø80/125mm PP	1
M28925	TERMINAL WALL PLATES	2
M84460	CONCENTRIC BEND 90° Ø80/125mm PP	1

Maximum equivalent flue length =10 Metres

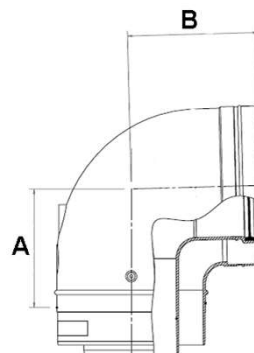
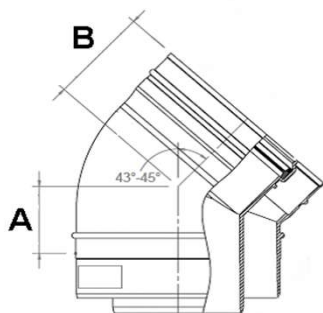
Bend 90° 1 Meter Equivalent Flue Length

Bend 45° 0.5 Meter Equivalent Flue Length



ADDITIONAL FLUE ANCILLARY ITEMS

Item No.	Description
LV310740	CONCENTRIC EXTENSION Ø80/125mm(250mm) PP FIXED
LV310741	CONCENTRIC EXTENSION Ø80/125mm(500mm) PP FIXED
M84452	CONCENTRIC EXTENSION Ø80/125mm(1000mm) PP FIXED
LV310743	CONCENTRIC EXTENSION Ø80/125mm(2000mm) PP FIXED
LV310744	CONCENTRIC EXTENSION Ø80/125mm(280-395mm) PP TELESCOPIC
M84455	CONCENTRIC EXTENSION Ø80/125mm(100-450mm) PP CUT TO LENGTH
M84461	CONCENTRIC BEND 45° Ø80/125mm PP A=45mm, B=62.5mm
M84462	CONCENTRIC BEND 90° Ø80/125mm PP A=95mm, B=110mm
M87195	WALL CLAMP Ø130



IMV001
CONCENTRIC VERTICAL FLUE ASSEMBLY-IM550,IM750

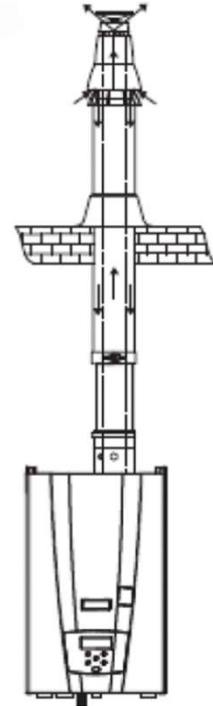
COMPONENTS INCLUDED

Item No.	Description	Included
LV312246	CONCENTRIC VERTICAL TERMINAL Ø60/100mm PP	1
LV312244	CONCENTRIC EXTENSION Ø60/100mm(100-450mm) PP CUT TO LENGTH	1
LV312240	CONCENTRIC EXTENSION Ø60/100mm(500mm) PP FIXED	1

Maximum equivalent flue length =10 Metres

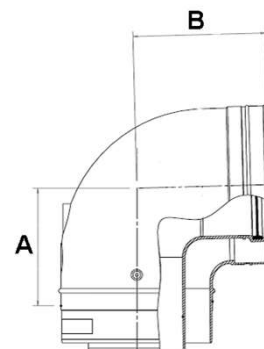
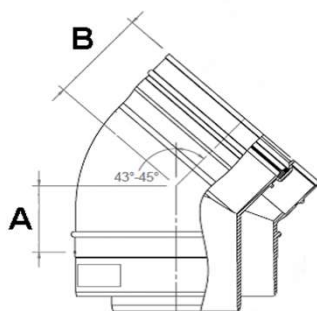
Bend 90° 1 Meter Equivalent Flue Length

Bend 45° 0.5 Meter Equivalent Flue Length



ADDITIONAL FLUE ANCILLARY ITEMS

Item No.	Description
LV312239	CONCENTRIC EXTENSION Ø60/100mm(250mm) PP FIXED
LV312240	CONCENTRIC EXTENSION Ø60/100mm(500mm) PP FIXED
LV312241	CONCENTRIC EXTENSION Ø60/100mm(1000mm) PP FIXED
LV312242	CONCENTRIC EXTENSION Ø60/100mm(2000mm) PP FIXED
LV312243	CONCENTRIC EXTENSION Ø60/100mm(280-395mm) PP TELESCOPIC
LV312244	CONCENTRIC EXTENSION Ø60/100mm(100-450mm) PP CUT TO LENGTH
LV312236	CONCENTRIC BEND 45° Ø60/100mm PP A=60mm, B=40mm
LV312237	CONCENTRIC BEND 90° Ø60/100mm PP A=80mm, B=100mm
LV312238	CONCENTRIC T-PIECE Ø60/100mm PP INSPECTION
LV307173	ROOF FLASHING Ø120mm ALU



IMV002

CONCENTRIC VERTICAL FLUE ASSEMBLY-IM1250

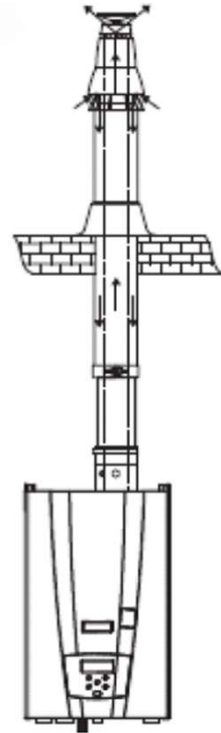
COMPONENTS INCLUDED

Item No.	Description	Included
M86864	CONCENTRIC VERTICAL TERMINAL Ø80/125mm PP	1
M84455	CONCENTRIC EXTENSION Ø80/125mm PP CUT TO LENGTH(100-450mm)	1
LV310741	CONCENTRIC EXTENSION Ø80/125mm(500mm) PP FIXED	1

Maximum equivalent flue length =40 Metres

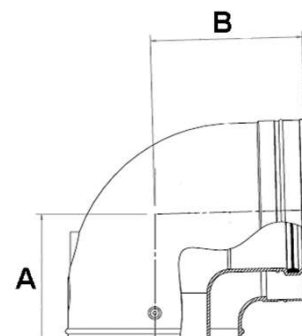
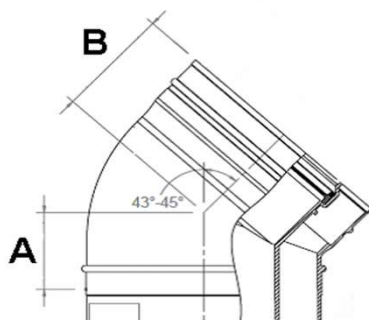
Bend 90° 1 Meter Equivalent Flue Length

Bend 45° 0.5 Meter Equivalent Flue Length



ADDITIONAL FLUE ANCILLARY ITEMS

Item No.	Description
LV310740	CONCENTRIC EXTENSION Ø80/125mm(250mm) PP FIXED
LV310741	CONCENTRIC EXTENSION Ø80/125mm(500mm) PP FIXED
M84452	CONCENTRIC EXTENSION Ø80/125mm(1000mm) PP FIXED
LV310743	CONCENTRIC EXTENSION Ø80/125mm(2000mm) PP FIXED
LV310744	CONCENTRIC EXTENSION Ø80/125mm(280-395mm) PP TELESCOPIC
M84455	CONCENTRIC EXTENSION Ø80/125mm(100-450mm) PP CUT TO LENGTH
M84461	CONCENTRIC BEND 45° Ø80/125mm PP A=45mm, B=62.5mm
M84462	CONCENTRIC BEND 90° Ø80/125mm PP A=95mm, B=110mm
M87195	WALL CLAMP Ø130
LV302520	ROOF FLASHING Ø140mm ALU
LV303506	ROOF FLASHING Ø140mm ALU (Pitched 25-45°)



IMPH001

TWIN PIPE HORIZONTAL FLUE ASSEMBLY-IM550,IM750

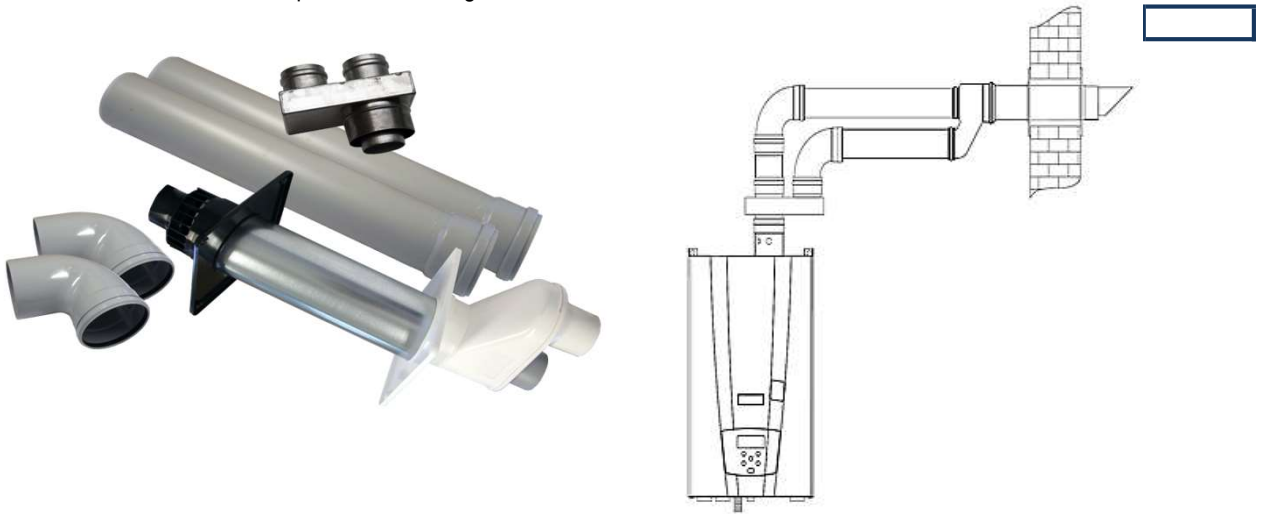
COMPONENTS INCLUDED

Item No.	Description	Included
LV312273	CONCENTRIC TO TWIN PIPE ADAPTOR 60/100mm TO 80/80mm PP/ALU	1
LV310728	CONCENTRIC HORIZONTAL TERMINAL Ø80/125mm PP (INCL TWIN PIPE TO CONCENTRIC ADAPTER)	1
M85291	BEND 90° Ø80mm	1
M85272	EXTENSION 80mm(1000mm) PP CUT TO LENGTH	1
LV310722	EXTENSION Ø80mm(280-395mm) PP TELESCOPIC	1

Maximum equivalent flue length = x2 20 Metres (IM550) x2 12.5 Metres (IM750)

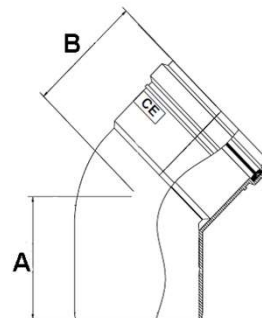
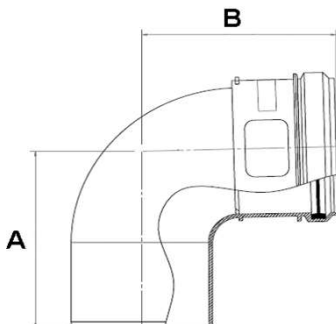
Bend 90° 1 Meter Equivalent Flue Length

Bend 45° 0.5 Meter Equivalent Flue Length



ADDITIONAL FLUE ANCILLARY ITEMS

Item No.	Description
LV310718	EXTENSION 80mm(250mm) PP
M85271	EXTENSION 80mm(500mm) PP
M85272	EXTENSION 80mm(1000mm) PP
LV310721	EXTENSION 80mm(2000mm) PP
LV310722	EXTENSION Ø80mm(280-395mm) PP TELESCOPIC
M85292	BEND 45° Ø80mm PP A=72.5mm,B=72.5mm
M85291	BEND 90° Ø80mm PP A=110mm,B=110mm
LV310703	BEND WITH SUPPORT 90° Ø80mm PP
LV310690	SUPPORT BRACKET FOR BEND WITH SUPPORT
M87191	WALL CLAMP - 80mm



IMPH002

TWIN PIPE HORIZONTAL FLUE ASSEMBLY-IM1250

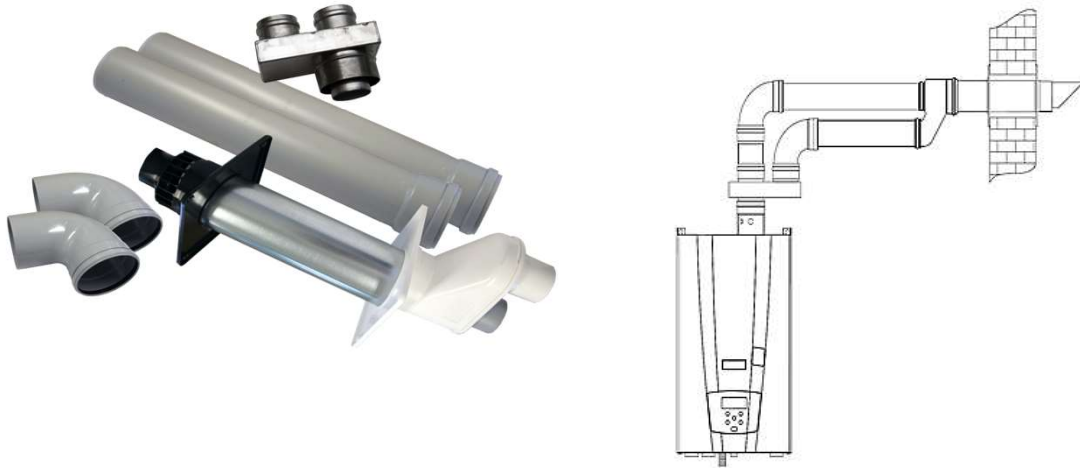
COMPONENTS INCLUDED

Item No.	Description	Included
LV312209	CONCENTRIC TO TWIN PIPE ADAPTOR Ø80/125mm - 2X80mm	1
LV310728	CONCENTRIC HORIZONTAL TERMINAL Ø80/125mm PP (INCL TWIN PIPE TO CONCENTRIC ADAPTER)	1
M85291	BEND 90° Ø80mm	2
M85272	EXTENSION 80mm PP (250mm) CUT TO LENGTH	2
LV310722	EXTENSION Ø80mm PP TELESCOPIC (280-395mm)	2

Maximum equivalent flue length = x2 5 Metres

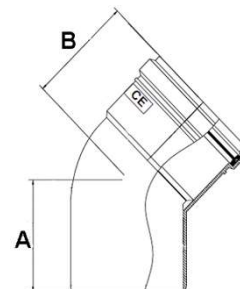
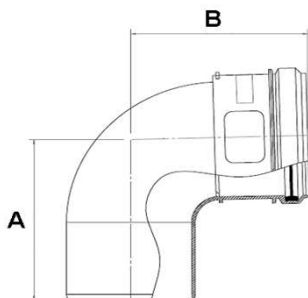
Bend 90° 1 Meter Equivalent Flue Length

Bend 45° 0.5 Meter Equivalent Flue Length



ADDITIONAL FLUE ANCILLARY ITEMS

Item No.	Description
LV310718	EXTENSION 80mm(250mm) PP
M85271	EXTENSION 80mm(500mm) PP
M85272	EXTENSION 80mm(1000mm) PP
LV310721	EXTENSION 80mm(2000mm) PP
LV310722	EXTENSION Ø80mm(280-395mm) PP TELESCOPIC
M85292	BEND 45° Ø80mm PP A=72.5mm,B=72.5mm
M85291	BEND 90° Ø80mm PP A=110mm,B=110mm
LV310703	BEND WITH SUPPORT 90° Ø80mm PP
LV310690	SUPPORT BRACKET FOR BEND WITH SUPPORT
M87191	WALL CLAMP - 80mm



IMPV001

TWIN PIPE VERTICAL FLUE ASSEMBLY-IM550,IM750

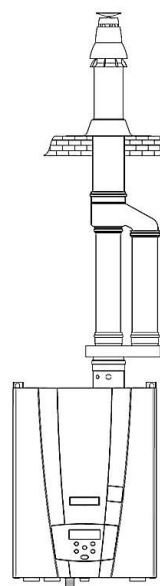
COMPONENTS INCLUDED

Item No.	Description	Included
LV312273	CONCENTRIC TO TWIN PIPE ADAPTOR Ø60/100mm - 2X80mm	1
LV310708	CONCENTRIC VERTICAL TERMINAL Ø80/125mm PP (INCL TWIN PIPE TO CONCENTRIC ADAPTER)	1
M85272	EXTENSION 80mm PP (1000mm)	2
LV310722	EXTENSION Ø80mm PP TELESCOPIC (280-395mm)	2

Maximum equivalent flue length = x2 20 Metres (IM550) x2 12Meters (IM750)

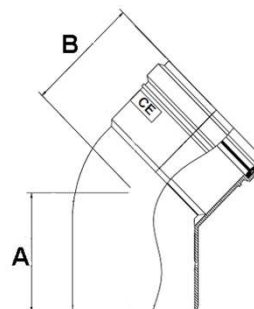
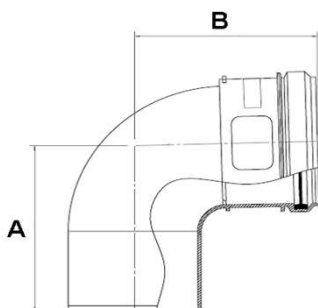
Bend 90° 1 Meter Equivalent Flue Length

Bend 45° 0.5 Meter Equivalent Flue Length



ADDITIONAL FLUE ANCILLARY ITEMS

Item No.	Description
LV310718	EXTENSION 80mm(250mm) PP
M85271	EXTENSION 80mm(500mm) PP
M85272	EXTENSION 80mm(1000mm) PP
LV310721	EXTENSION 80mm(2000mm) PP
LV310722	EXTENSION Ø80mm(280-395mm) PP TELESCOPIC
M85292	BEND 45° Ø80mm PP A=72.5mm,B=72.5mm
M85291	BEND 90° Ø80mm PP A=110mm,B=110mm
LV310703	BEND WITH SUPPORT 90° Ø80mm PP
LV310690	SUPPORT BRACKET FOR BEND WITH SUPPORT
LV302520	ROOF FLASHING Ø140mm ALU
LV302506	ROOF FLASHING Ø140mm ALU (PITCHED 25-45°)
M87191	WALL CLAMP - 80mm



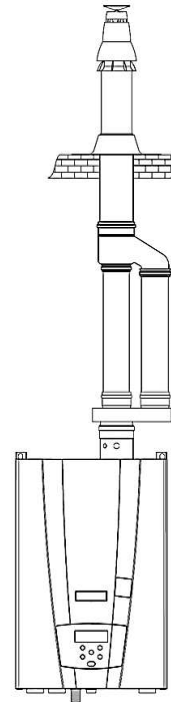
IMPV002
TWIN PIPE VERTICAL FLUE ASSEMBLY-IM1250

COMPONENTS INCLUDED

Item No.	Description	Included
LV312209	CONCENTRIC TO TWIN PIPE ADAPTOR Ø80/125mm - 2X80mm	1
LV310708	CONCENTRIC VERTICAL TERMINAL Ø80/125mm PP (INCL TWIN PIPE TO CONCENTRIC ADAPTER)	1
M85272	EXTENSION 80mm PP (1000mm)	2
LV310722	EXTENSION Ø80mm PP TELESCOPIC (280-395mm)	2

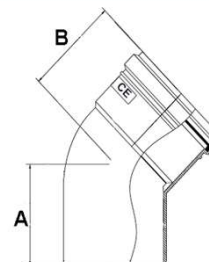
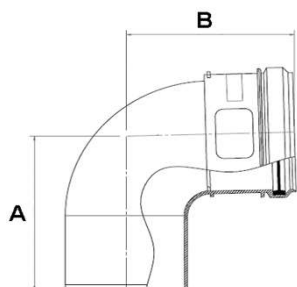
Maximum equivalent flue length = x2 5 Metres

- Bend 90° 1 Meter Equivalent Flue Length
- Bend 45° 0.5 Meter Equivalent Flue Length



ADDITIONAL FLUE ANCILLARY ITEMS

Item No.	Description
LV310718	EXTENSION 80mm(250mm) PP
M85271	EXTENSION 80mm(500mm) PP
M85272	EXTENSION 80mm(1000mm) PP
LV310721	EXTENSION 80mm(2000mm) PP
LV310722	EXTENSION Ø80mm(280-395mm) PP TELESCOPIC
M85292	BEND 45° Ø80mm PP A=72.5mm,B=72.5mm
M85291	BEND 90° Ø80mm PP A=110mm,B=110mm
LV310703	BEND WITH SUPPORT 90° Ø80mm PP
LV310690	SUPPORT BRACKET FOR BEND WITH SUPPORT
LV302520	ROOF FLASHING Ø140mm ALU
LV302506	ROOF FLASHING Ø140mm ALU (PITCHED 25-45°)
M87191	WALL CLAMP - 80mm



IMCH002

CONVENTIONAL HORIZONTAL FLUE ASSEMBLY-IM1250

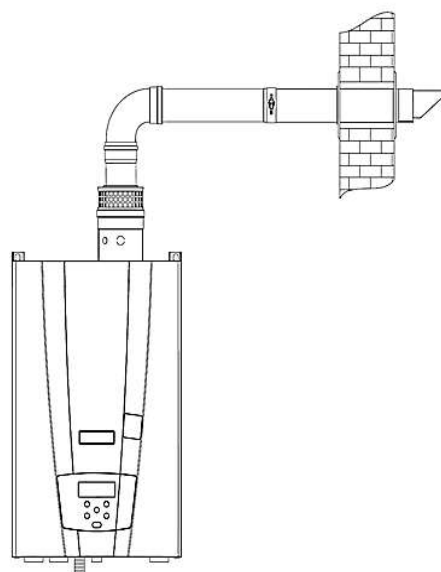
COMPONENTS INCLUDED

LV312245	Ø60/100mm - Ø80/125mm EXPANDER	1
LV305030	AIR INLET BASKET Ø80/125mm ALU	1
M86934	CONCENTRIC HORIZONTAL TERMINAL Ø80/125mm PP	1
M85291	BEND 90° Ø80mm PP	1
M28925	TERMINAL WALL PLATES	2

Maximum equivalent flue length = 20 Metres (IM550) 12Meters (IM750)

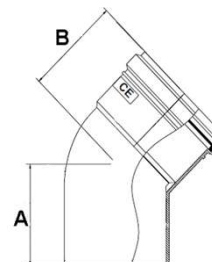
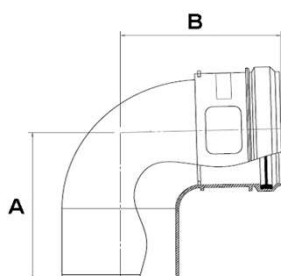
Bend 90° 1 Meter Equivalent Flue Length

Bend 45° 0.5 Meter Equivalent Flue Length



ADDITIONAL FLUE ANCILLARY ITEMS

Item No.	Description
LV310718	EXTENSION 80mm(250mm) PP
M85271	EXTENSION 80mm(500mm) PP
M85272	EXTENSION 80mm(1000mm) PP
LV310721	EXTENSION 80mm(2000mm) PP
LV310722	EXTENSION Ø80mm(280-395mm) PP TELESCOPIC
M85292	BEND 45° Ø80mm PP A=72.5mm,B=72.5mm
M85291	BEND 90° Ø80mm PP A=110mm,B=110mm
LV310703	BEND WITH SUPPORT 90° Ø80mm PP
LV310690	SUPPORT BRACKET FOR BEND WITH SUPPORT
LV302520	ROOF FLASHING Ø140mm ALU
LV302506	ROOF FLASHING Ø140mm ALU (PITCHED 25-45°)
M87191	WALL CLAMP - 80mm



IMCH002

CONVENTIONAL HORIZONTAL FLUE ASSEMBLY-IM1250

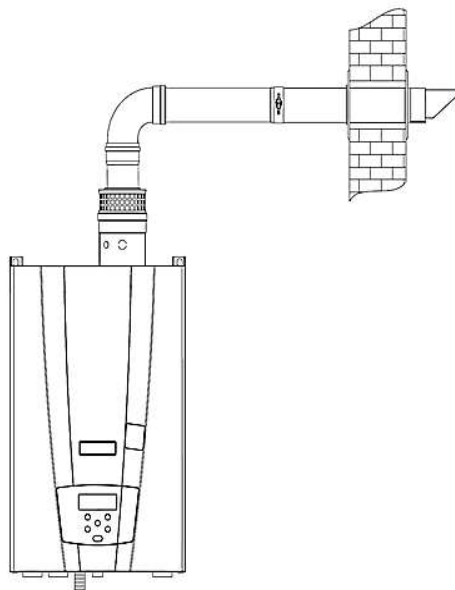
COMPONENTS INCLUDED

LV305030	AIR INLET BASKET Ø80/125mm ALU	1
M86934	CONCENTRIC HORIZONTAL TERMINAL Ø80/125mm PP	1
M85291	BEND 90° Ø80mm PP	1
M28925	TERMINAL WALL PLATES	2

Maximum equivalent flue length = 5 Metres

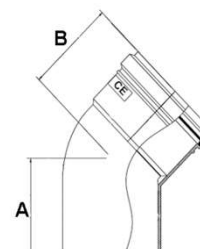
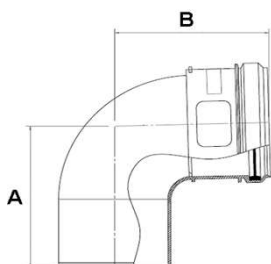
Bend 90° 1 Meter Equivalent Flue Length

Bend 45° 0.5 Meter Equivalent Flue Length



ADDITIONAL FLUE ANCILLARY ITEMS

Item No.	Description
LV310718	EXTENSION 80mm(250mm) PP
M85271	EXTENSION 80mm(500mm) PP
M85272	EXTENSION 80mm(1000mm) PP
LV310721	EXTENSION 80mm(2000mm) PP
LV310722	EXTENSION Ø80mm(280-395mm) PP TELESCOPIC
M85292	BEND 45° Ø80mm PP A=72.5mm,B=72.5mm
M85291	BEND 90° Ø80mm PP A=110mm,B=110mm
LV310703	BEND WITH SUPPORT 90° Ø80mm PP
LV310690	SUPPORT BRACKET FOR BEND WITH SUPPORT
LV302520	ROOF FLASHING Ø140mm ALU
LV302506	ROOF FLASHING Ø140mm ALU (PITCHED 25-45°)
M87191	WALL CLAMP - 80mm



IMCV001

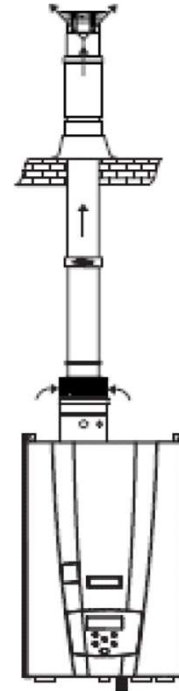
CONVENTIONAL VERTICAL FLUE ASSEMBLY-IM550,IM750

COMPONENTS INCLUDED

LV312245	Ø60/100mm - Ø80/125mm EXPANDER	1
LV305030	AIR INLET BASKET Ø80/125mm	1
M86864	CONCENTRIC VERTICAL TERMINAL Ø80/125mm PP	1
LV310722	EXTENSION Ø80mm PP TELESCOPIC (280-395mm)	1
M85272	FLUE EXTENSION 1000mm Ø80mm PP CUT TO LENGTH	1

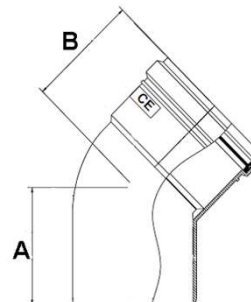
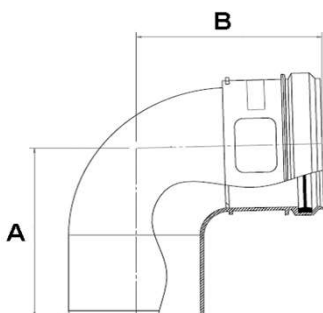
Maximum equivalent flue length = 5 Metres

Bend 90°	1 Meter Equivalent Flue Length
Bend 45°	0.5 Meter Equivalent Flue Length



ADDITIONAL FLUE ANCILLARY ITEMS

Item No.	Description
LV310718	EXTENSION 80mm(250mm) PP
M85271	EXTENSION 80mm(500mm) PP
M85272	EXTENSION 80mm(1000mm) PP
LV310721	EXTENSION 80mm(2000mm) PP
LV310744	EXTENSION Ø80mm(240-360mm) PP TELESCOPIC
M85292	BEND 45° Ø80mm PP A=72.5mm,B=72.5mm
M85291	BEND 90° Ø80mm PP A=110mm,B=110mm
LV310703	BEND WITH SUPPORT 90° Ø80mm PP
LV310690	SUPPORT BRACKET FOR BEND WITH SUPPORT
LV302520	ROOF FLASHING Ø140mm ALU
LV302506	ROOF FLASHING Ø140mm ALU (Pitched 25-45°)



IMCV002

CONVENTIONAL VERTICAL FLUE ASSEMBLY-IM1250

COMPONENTS INCLUDED

LV305030	AIR INLET BASKET Ø80/125mm	1
M86864	CONCENTRIC VERTICAL TERMINAL Ø80/125mm PP	1
LV310722	EXTENSION Ø80mm PP TELESCOPIC (280-395mm)	1
M85272	FLUE EXTENSION 1000mm Ø80mm PP CUT TO LENGTH	1

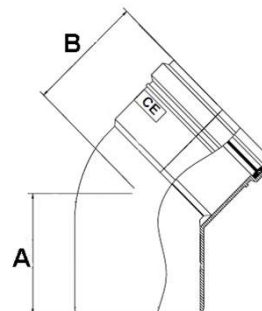
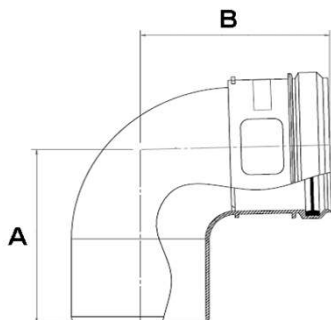
Maximum equivalent flue length = 5 Metres

Bend 90° 1 Meter Equivalent Flue Length
 Bend 45° 0.5 Meter Equivalent Flue Length



ADDITIONAL FLUE ANCILLARY ITEMS

Item No.	Description
LV310718	EXTENSION 80mm(250mm) PP
M85271	EXTENSION 80mm(500mm) PP
M85272	EXTENSION 80mm(1000mm) PP
LV310721	EXTENSION 80mm(2000mm) PP
LV310744	EXTENSION Ø80mm(240-360mm) PP TELESCOPIC
M85292	BEND 45° Ø80mm PP A=72.5mm,B=72.5mm
M85291	BEND 90° Ø80mm PP A=110mm,B=110mm
LV310703	BEND WITH SUPPORT 90° Ø80mm PP
LV310690	SUPPORT BRACKET FOR BEND WITH SUPPORT
LV302520	ROOF FLASHING Ø140mm ALU
LV302506	ROOF FLASHING Ø140mm ALU (Pitched 25-45°)





7 Lombard Way, The MXL Centre, Banbury, Oxon, OX16 4TJ
Tel: +44(0) 1295 269 981, Fax: +44(0) 1295 271 640, Email: info@lochinvar.ltd.uk
www.lochinvar.ltd.uk

Lochinvar Ltd reserves the right to change specifications without prior notice