

TECHNICAL PRODUCT SUBMITTAL

EcoKnight EKW61CE



TECHNICAL DATA

Nominal Input (net)	kW	55.4
Nominal Input (gross)	kW	61.5
Gas Flow Rate (natural gas)	m3/hr	5.9
Nominal Output	kW	58.7
EFFICIENCY DATA-Part L2		
Heat generator seasonal efficiency	%	95.4
Effective heat generator seasonal efficiency *	%	97.9
EFFICIENCY DATA-ErP and Energy Label		
Ecodesign Energy Label rating		A
Seasonal space heating energy efficiency	%	94
GENERAL DATA		
NOx emission @0% O2	mg/kWh	27.3
Recovery Rate @ 44°C	l/hr	1153
Recovery Rate @ 50°C	l/hr	1014
Recovery Rate @ 56°C	l/hr	906
Dimensions (height)	mm	840
Dimensions (width)	mm	395
Dimensions (depth)	mm	567
Water Content	litres	6.4
Weight (empty)	kg	79
Weight (full)	kg	85
Flow Connection (inches)	BSP	1¼
Return Connection (inches)	BSP	1¼
Gas Connection (inches)	BSP	½
Electrical Requirements		230V /1Ph/ 50hz
Power Consumption	W	144
Sound Power Level	LWA(db)	60
Maximum Flue Gas Temperature	°C	120
Max Outlet Temperature	°C	88
Maximum Working Pressure	bar	11

* The effective heat generator seasonal efficiency is the heat generator seasonal efficiency plus heating efficiency credits gained by adopting additional measures from Table 31 of the non-domestic compliance guide.

1. Fully automatic ignition controls 0.5%
2. Correct sizing of unit confirmed using manufacturers technical helpline and sizing software 2%

EcoKnight water heaters must be installed and maintained in line with the Installation Commissioning and Maintenance Instructions which are available on the Literature & Downloads section of www.lochinvar.ltd.uk

Particular attention should be made to:-

- Correct sizing of associated buffer vessel
- Dimensions and clearances
- Vented and Unvented installation requirements
- maintenance

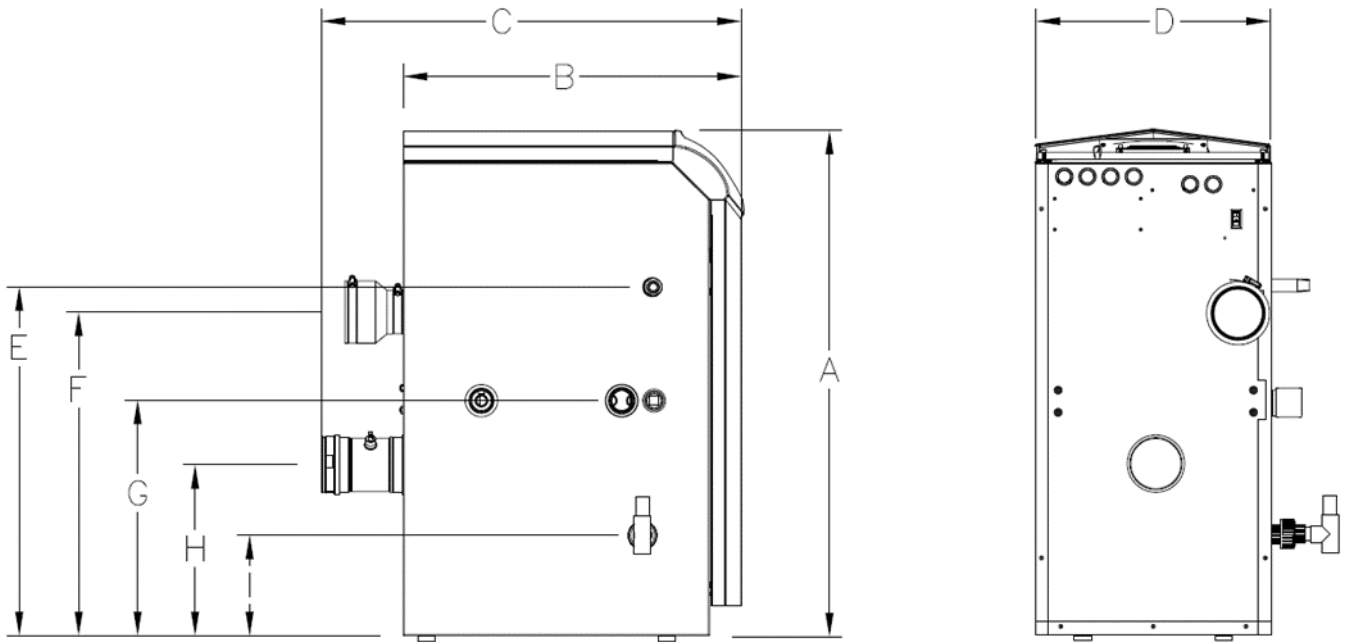
ErP and Warranty

ErP Data including Product Fiche and Energy Labels where applicable and Warranty information are also available at www.lochinvar.ltd.uk

TECHNICAL PRODUCT SUBMITTAL

EcoKnight EKW61CE

DIMENSIONS AND CONNECTIONS



Description			Model	
			EKW46CE	EKW61CE
A	Height	mm	840	840
B	Depth	mm	459	567
C	Depth inc Flue Outlet	mm	599	707
D	Width	mm	395	395
E	Gas Connection	mm	582	582
F	Air Inlet	mm	540	540
G	Water Connections	mm	390	390
H	Flue Outlet	mm	286	286
I	Condense Outlet	mm	167	167

Connection Sizes			Model	
			EKW46CE	EKW61CE
E	Gas Connection	BSP	½"	½"
F	Air Inlet	mm	80	80
G	Water Connections	BSP	1¼"	1¼"
H	Flue Outlet	mm	80	80
I	Condense Outlet	PVC	½"	½"

TECHNICAL PRODUCT SUBMITTAL

EcoKnight EKW61CE



PRIMARY PIPEWORK SIZING AND MATCHED CIRCULATING PUMPS

Lochinvar will offer a matched primary pump which is sized on the flow rate and pressure drop as shown in table 1 and pipework sized according to table 2 below. The calculated pressure drop and pump selection is based on:

- maximum total flow/return pipework is no more than 14 metres
- maximum 4no 90 bends
- 3 fully ported isolating valves per water heater

If the system design is outside these parameters it is the installers/specifiers responsibility to check the pump will be suitable using the pump curves shown in table 3. Also shown is the pump curve for a larger alternative pump which may be suitable. **Please ensure the correct pump is chosen.**

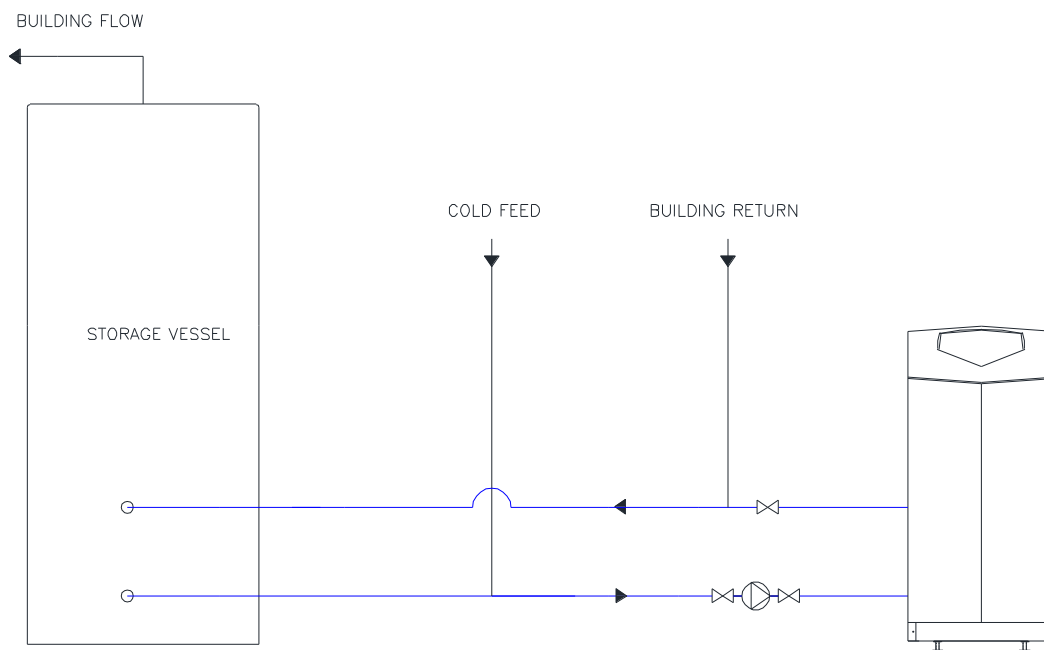
TABLE 1 FLOW RATE AND PRESSURE DROP

Data			
Water heater model	delta t	Flow rate l/sec	Pressure drop kPa
EKW46CE	10	0.98	72
EKW61CE	10	1.59	66
EKW86CE	10	2.27	69
EKW116CE	10	3.18	93
EKW146CE	10	4.01	78
EKW176CE	10	4.01	78
EKW206CE	10	4.77	96
EKW236CE	10	5.07	93

TABLE 2 PIPEWORK SIZING

MODEL	PIPEWORK A BLUE SIZE (mm)		PIPEWORK B RED SIZE (mm)	
	NUMBER OF ECOKNIGHT™			
	1	2	3	4
EKW46CE	35	42	54	67
EKW61CE	35	42	54	67
EKW86CE	54	54	67	76

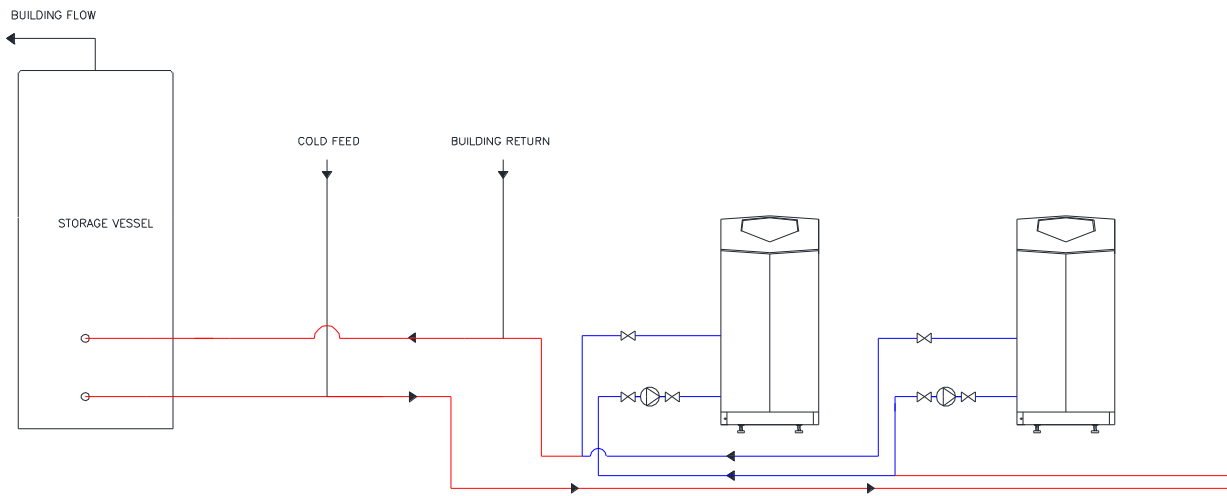
DRAWING 1 SINGLE EKW AND VESSEL



TECHNICAL PRODUCT SUBMITTAL

EcoKnight EKW61CE

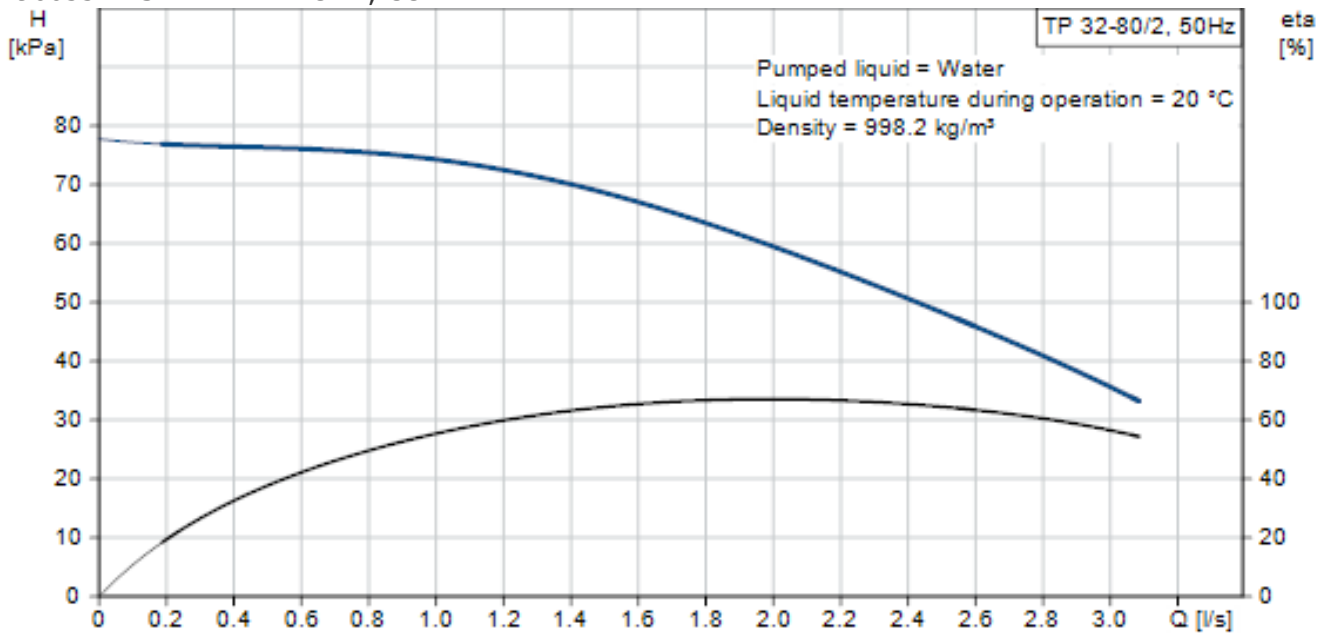
DRAWING 2 MULTIPLE EKW AND VESSEL(S)



In general, the standard pump will be suitable for a single unit and vessel, multiple water heaters and/or multiple vessels will require the alternative pump.

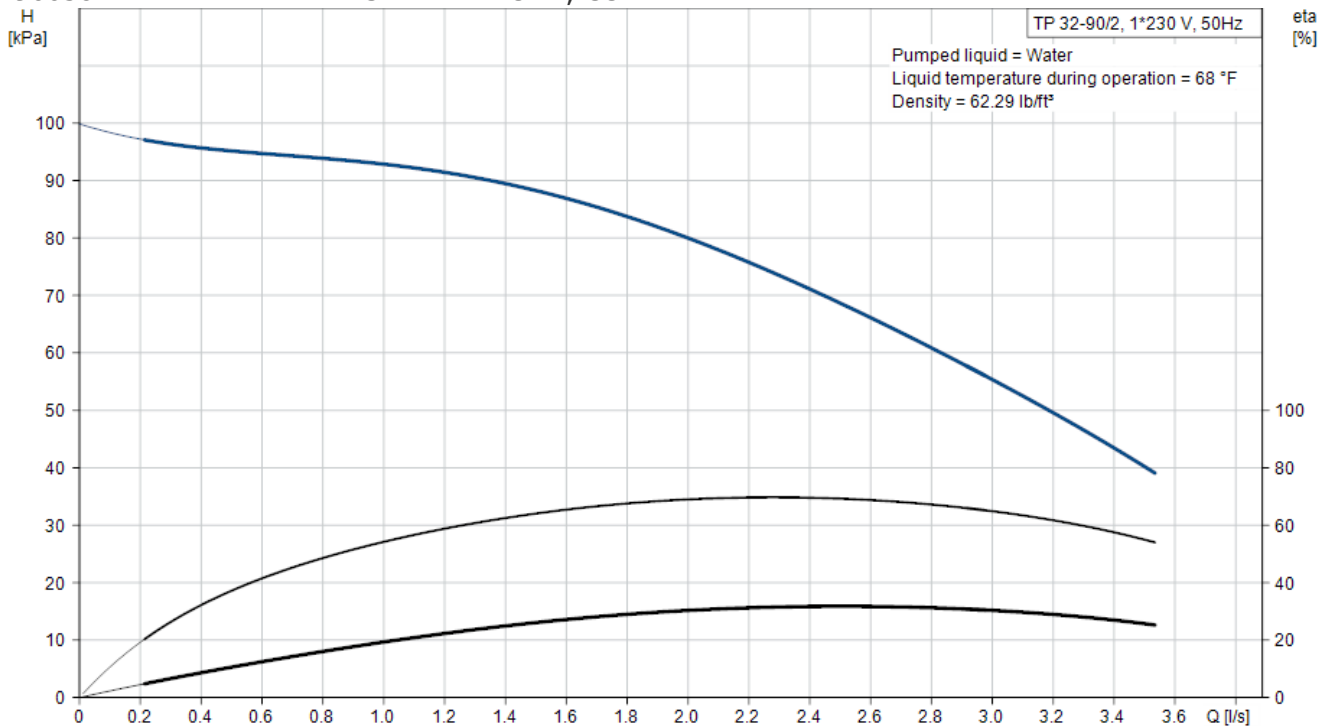
TABLE 3 PUMP CURVES

LM900332A STANDARD PUMP, CURVE



EcoKnight EKW61CE

LM900384A ALTERNATIVE HIGH HEAD PUMP, CURVE

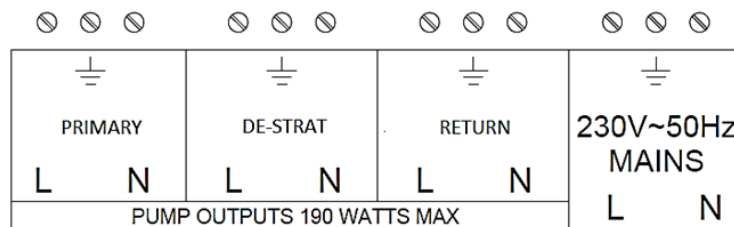


WIRING AND CONTROL

EcoKnight water heaters come complete with the following standard controls:

- Primary pump control

Although EcoKnight will turn the Primary pump on/off this must be via an external relay. The pump must not be wired directly from the water heater.



CONNECTION	OUTPUT	NOTES
PRIMARY	230VAC – Output is when there is a call for DHW MAX 190 WATTS	230 VAC Live, Neutral and Earth connections for a primary circulation pump starter. NOTE: On all EcoKnight™ water heaters, the primary pump exceeds the maximum power output and therefore a suitable starter/overload relay will be required.
DE-STRAT	NO OUTPUT	CONNECTION NOT USED
RETURN	230VAC – Constant output when unit powered MAX 190 WATTS	230 VAC Live, Neutral and Earth connections for a secondary circulation pump. If the pump rating exceeds the maximum 190 watts available over the three terminals, the Live and Neutral connections should then be used to switch a suitable starter/overload relay.
MAINS		Connections for a 230V ~ 1 ph 50Hz power supply. NOTE: The power supply cable should be secured using the anchor supplied.

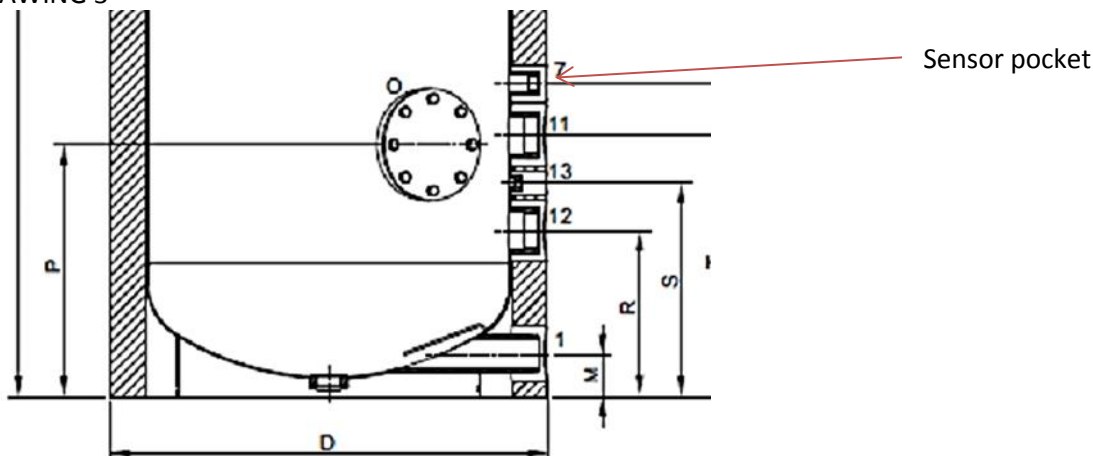
TECHNICAL PRODUCT SUBMITTAL

EcoKnight EKW61CE

- Vessel temperature sensor and water heater activation

In order for the water heater to work correctly the vessel sensor supplied with every water heater must be installed within the storage vessel at point 7 as shown in drawing 3 below. When installing multiple water heaters only one vessel sensor is required, wired back to the cascade leader with all other water heaters wired back to the leader. When a hot water demand is detected the cascade lead will decide how many water heaters to activate to maintain set point, the cascade leader will also rotate which water heater is activated first to share running hours between the whole cascade. A second water heater can be programmed to take over from the cascade leader should the cascade leader suffer from an electrical failure, when the cascade leader is repaired the alternate lead will relinquish control back to the cascade leader.

DRAWING 3



- Cascade control
- Remote on/off
- Fault signal

WATER QUALITY REQUIREMENTS

Water supply quality may adversely affect the efficiency performance and longevity of Water Heaters and Hot Water systems. Hard water may cause the formation of limescale that will reduce operating efficiency and may cause early product failure. Please note the following: -

- Water Hardness – should not exceed 205ppm CaCO₃ and Total Dissolved Solids (TDS) of untreated water should not exceed 350ppm.

If these values are exceeded a water treatment specialist should be consulted. Water Softeners and Water Conditioners may be considered, but whichever method is selected, it should be suitable for installation with Direct Gas-fired Water Heaters. A maintenance regime will also be required for such systems

- High hot water temperature and high demand for hot water is likely to cause quicker limescale formation **The formation of limescale or other solids can cause a blockage within the heat exchanger, which in turn may cause premature failure. Such instances are not regarded as defects in manufacture and will not be covered under the product warranty**