

Storage Capacity	litres	1830
EFFICIENCY DATA-Part L2		
Insulation Thickness	mm	100
Insulation Type		Rockwool
Standing Loss	kWh/day	4.1
EFFICIENCY DATA-ErP and Energy Label		
Ecodesign Energy Label rating		N/A
Standing Loss	W	171
GENERAL DATA		
Max draw off capacity (first hour) at 50°C temperature rise	l/hr	4027
Heat-up Time at 50°C temperature rise	min	43
Dimensions (height)	mm	2175
Dimensions (diameter)	mm	1300
Hot Outlet Connection (inches)	BSP	2"
Cold Feed Connection (inches)	BSP	2"
Coil Connection (inches)	BSP	1¼"
Weight (empty)	kg	426
Weight (full)	kg	2256
Minimum Working Pressure	bar	0.5
Maximum Working Pressure	bar	7.0
COIL DATA		
Coil Rating (80/60°C)	kW	149
Coil Surface Area	m ²	5.20
Flow Rate (80/60°C)	l/sec	1.80
Pressure Loss	kPa	83
Maximum Coil Temperature	°C	90
Maximum Coil Pressure	bar	6

Squire Indirect water heaters must be installed and maintained in line with the Installation Commissioning and Maintenance Instructions which are available on the Literature & Downloads section of www.lochinvar.ltd.uk

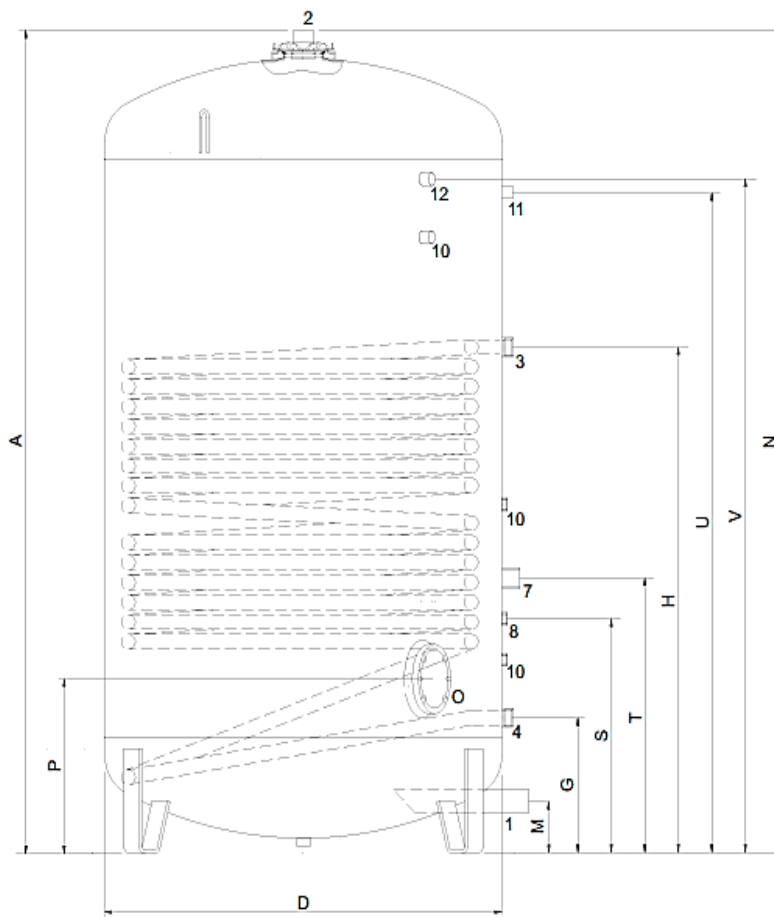
Particular attention should be made to:-

- Dimensions and clearances
- Vented and Unvented installation requirements
- Maintenance

ErP and Warranty

ErP Data including Product Fiche and Energy Labels where applicable and Warranty information are also available at www.lochinvar.ltd.uk

Size	Description	Unit	SIVS330GE	SIVS440GE	SIVS550GE	SIVS660GE
A	Total Height (with Insulation)	mm	1985	2175	2045	2070
	Total Height (without Insulation)	mm	1880	2068	1939	2068
D	Diameter of Water Heater (with insulation)	mm	1300	1300	1600	1600
	Diameter of Water Heater (without insulation)	mm	1100	1100	1400	1400
G	Height Heat Exchanger Outlet	mm	350	350	430	430
H	Height Heat Exchanger Inlet	mm	1305	1305	1285	1285
M	Height Cold Water Inlet	mm	135	135	185	185
N	Height Hot Water Outlet	mm	1985	2175	2045	2070
O	Diameter Cleaning / Inspection Opening	mm	110	110	110	110
P	Height Cleaning / Inspection Opening	mm	450	450	530	530
S	Height Bottom Temp. Sensor Connection	mm	605	605	685	685
T	Height Recirculation Connection	mm	710	710	790	790
U	Height T&P-valve Connection	mm	1515	1705	1530	1625
V	Height Top Temp. Sensor Connection	mm	1550	1740	1530	1660
1	Connection Cold Water Inlet (male)	-	R 2	R 2	R 2	R 2
2	Connection Hot Water Outlet (male)	-	R 2	R 2	R 2	R 2
3	Connection Heat Exchanger Inlet (female)	-	Rp 1¼	Rp 1¼	Rp 1¼	Rp 1¼
4	Connection Heat Exchanger Outlet (female)	-	Rp 1¼	Rp 1¼	Rp 1¼	Rp 1¼
7	Connection Recirculation (female)	-	Rp 1¼	Rp 1¼	Rp 1¼	Rp 1¼
8	Connection Bottom Temp. Sensor (female)	-	Rp ¾	Rp ¾	Rp ¾	Rp ¾
10	Connection Anode (female)	-	Rp ¾	Rp ¾	Rp ¾	Rp ¾
11	Connection T&P-valve (female)	-	Rp 1	Rp 1	Rp 1	Rp 1
12	Connection Top Temp. Sensor (female)	-	Rp ¾	Rp ¾	Rp ¾	Rp ¾



MD-0709 R10