

TECHNICAL PRODUCT SUBMITTAL

LOKE8-250



| | | LOKE8-250 |
|-----------------------------|---------------|--------------------------|
| Output | | |
| Heat Transfer Duty | kW | 250 |
| Thermal efficiency | % | 99.5 |
| Primary Side | | |
| Inlet Temperature | °C | 75 |
| Outlet Temperature | °C | 40 |
| Fluid Flow Rate | litre/second | 1.71 |
| pressure drop | bar | 0.38 |
| Connection size and type | Inch | 1¼" |
| Max Working Temperature | °C | 100 |
| Maximum Working Pressure | bar | 10 |
| Secondary Side | | |
| Inlet Temperature | °C | 10 |
| Outlet Temperature | °C | 65 |
| Fluid Flow Rate | litres/second | 1.09 |
| pressure drop | bar | 0.11 |
| Connection size and type | Inch | 1¼" |
| Max Working Temperature | °C | 95 |
| Maximum Working Pressure | bar | 10 |
| Performance | | |
| Recovery Rate @ 55°C ΔT | litres/hour | 3924 |
| Recovery Rate @ 55°C ΔT | litres/second | 1.09 |
| Recovery Rate @ 50°C ΔT | litres/hour | 4316 |
| Recovery Rate @ 50°C ΔT | litres/second | 1.20 |
| Dimensions | | |
| Height without base | mm | 835 |
| Width without base | mm | 710 |
| Depth without base | mm | 196 |
| Construction Details | | |
| Plate Material | | AISI 316 Stainless Steel |
| Gasket Material | | EPDM - Clip On |
| Empty weight | kg | 79 |
| Gasket WRAS Approval Number | | 1511532 |

LOKE Water heaters must be installed and maintained in line with the Installation Commissioning and Maintenance Instructions which are available on the Literature & Downloads section of www.lochinvar.ltd.uk

Particular attention should be made to:-

- Dimensions and clearances
- Vented and Unvented installation requirements
- maintenance

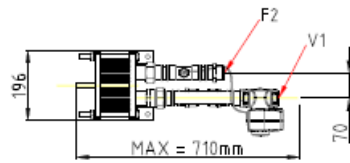
ErP and Warranty

ErP Data including Product Fiche and Energy Labels where applicable and Warranty information are also available at www.lochinvar.ltd.uk

TECHNICAL PRODUCT SUBMITTAL

LOKE8-250

LOKE without optional base

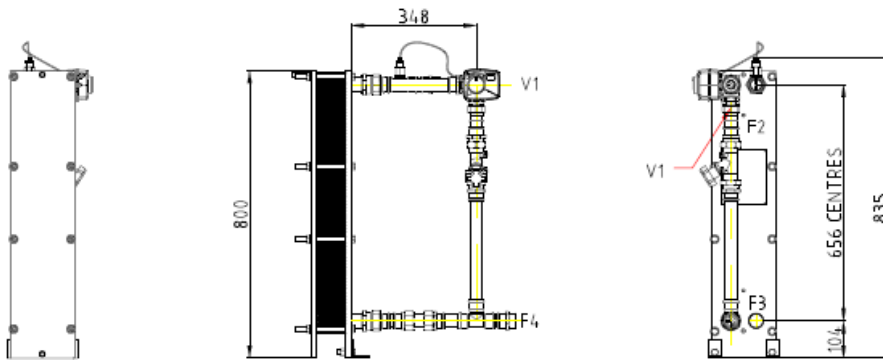


50-125 kW

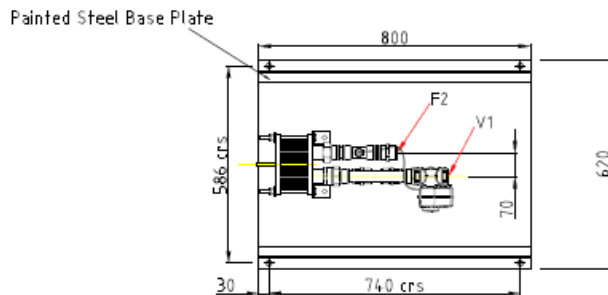
| PORT | CONNECTION TYPE | FUNCTION |
|------|-----------------|---------------|
| V1 | 1" BSPT FEMALE | BOILER FLOW |
| F4 | 1" BSPT MALE | BOILER RETURN |
| F2 | 1" BSPT MALE | DHW OUT |
| F3 | 1" BSPT MALE | DWH IN |

150-250 kW

| PORT | CONNECTION TYPE | FUNCTION |
|------|-------------------|---------------|
| V1 | 1.25" BSPT FEMALE | BOILER FLOW |
| F4 | 1.25" BSPT MALE | BOILER RETURN |
| F2 | 1.25" BSPT MALE | DHW OUT |
| F3 | 1.25" BSPT MALE | DWH IN |



LOKE with optional base



50-125 kW

| PORT | CONNECTION TYPE | FUNCTION |
|------|-----------------|---------------|
| V1 | 1" BSPT FEMALE | BOILER FLOW |
| F4 | 1" BSPT MALE | BOILER RETURN |
| F2 | 1" BSPT MALE | DHW OUT |
| F3 | 1" BSPT MALE | DWH IN |

150-250 kW

| PORT | CONNECTION TYPE | FUNCTION |
|------|-------------------|---------------|
| V1 | 1.25" BSPT FEMALE | BOILER FLOW |
| F4 | 1.25" BSPT MALE | BOILER RETURN |
| F2 | 1.25" BSPT MALE | DHW OUT |
| F3 | 1.25" BSPT MALE | DWH IN |

