

TECHNICAL PRODUCT SUBMITTAL

Herald HCB61CE



Nominal Input (net)	kW	55.4
Nominal Input (gross)	kW	61.5
Gas Flow Rate (natural gas)	m3/hr	5.9
Output @50/30°C	kW	58.7
Output @80/60°C	kW	52
EFFICIENCY DATA-Part L2		
Seasonal Efficiency (According EN15502) Gross	%	94
EFFICIENCY DATA-ErP and Energy Label		
Ecodesign Energy Label rating		A
Seasonal space heating energy efficiency	%	94
GENERAL DATA		
NOx emission @0% O2 According to EN15502	mg/kWh	32
Dimensions (height)	mm	840
Dimensions (width)	mm	395
Dimensions (depth)	mm	567
Water Content	litres	6.4
Weight (empty)	kg	79
Weight (full)	kg	85
Flow Connection (inches)	BSP	1¼
Return Connection (inches)	BSP	1¼
Gas Connection (inches)	BSP	½
Electrical Requirements		230V /1Ph/ 50hz
Power Consumption	W	144
Sound Power Level	LWA(db)	60
Maximum Flue Gas Temperature	°C	120
Max Flow Temperature	°C	88
Working Pressure Minimum	bar	0.5
Working Pressure Maximum	bar	11

Herald boiler must be installed and maintained in line with the Installation Commissioning and Maintenance Instructions which are available on the Literature & Downloads section of www.lochinvar.ltd.uk

Particular attention should be made to:-

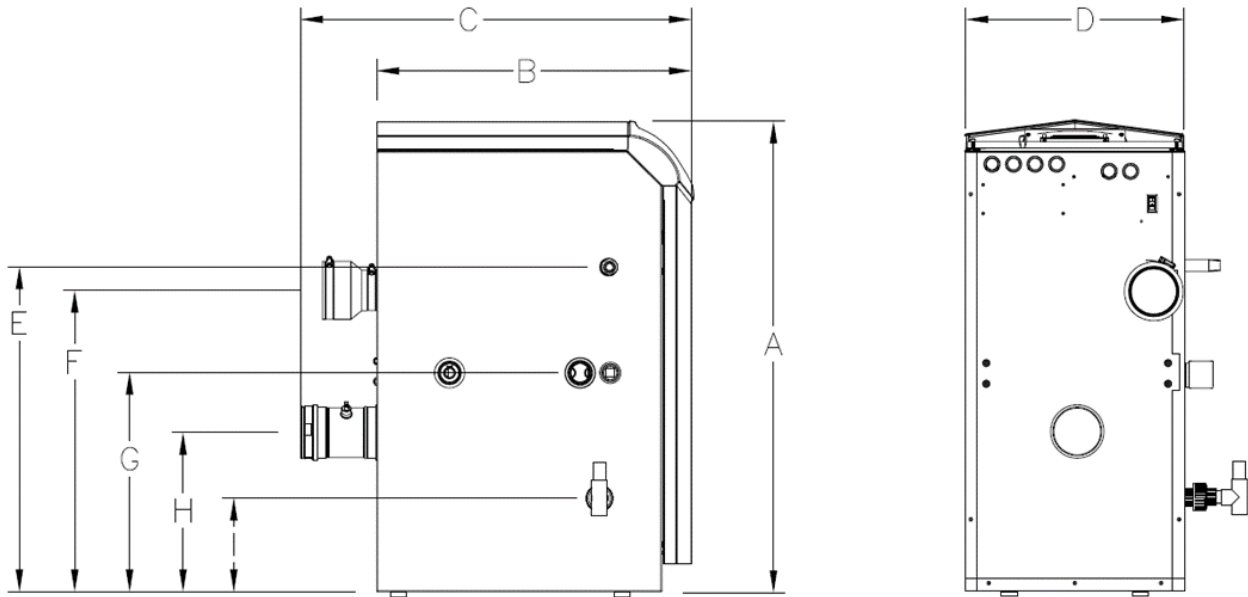
- Dimensions and clearances
- Vented and Unvented installation requirements
- maintenance

ErP and Warranty

ErP Data including Product Fiche and Energy Labels where applicable and Warranty information are also available at www.lochinvar.ltd.uk

TECHNICAL PRODUCT SUBMITTAL

Herald HCB61CE



Description			Model	
			HCB46CE	HCB61CE
A	Height	mm	840	840
B	Depth	mm	459	567
C	Depth inc Flue Outlet	mm	599	707
D	Width	mm	395	395
E	Gas Connection	mm	582	582
F	Air Inlet	mm	540	540
G	Water Connections	mm	390	390
H	Flue Outlet	mm	286	286
I	Condense Outlet	mm	167	167

Connection Sizes			Model	
			HCB46CE	HCB61CE
E	Gas Connection	BSP	½"	½"
F	Air Inlet	mm	80	80
G	Water Connections	BSP	1¼"	1¼"
H	Flue Outlet	mm	80	80
I	Condense Outlet	PVC	½"	½"