

TECHNICAL PRODUCT SUBMITTAL

Herald HCB236CE



Nominal Input (net)	kW	220
Nominal Input (gross)	kW	244.2
Gas Flow Rate (natural gas)	m3/hr	22.3
Output @50/30°C	kW	227.2
Output @80/60°C	kW	205
EFFICIENCY DATA-Part L2		
Seasonal Efficiency (According EN15502) Gross	%	95
EFFICIENCY DATA-ErP and Energy Label		
Ecodesign Energy Label rating		n/a
Seasonal space heating energy efficiency	%	95
GENERAL DATA		
NOx emission @0% O2 According to EN15502	mg/kWh	35
Dimensions (height)	mm	1080
Dimensions (width)	mm	395
Dimensions (depth)	mm	1153
Water Content	litres	21.6
Weight (empty)	kg	184
Weight (full)	kg	206
Flow Connection (inches)	BSP	2
Return Connection (inches)	BSP	2
Gas Connection (inches)	BSP	1
Electrical Requirements		230V /1Ph/ 50hz
Power Consumption	W	322
Sound Power Level	LWA(db)	69
Maximum Flue Gas Temperature	°C	120
Max Flow Temperature	°C	88
Working Pressure Minimum	bar	0.5
Working Pressure Maximum	bar	11

Herald boiler must be installed and maintained in line with the Installation Commissioning and Maintenance Instructions which are available on the Literature & Downloads section of www.lochinvar.ltd.uk

Particular attention should be made to:-

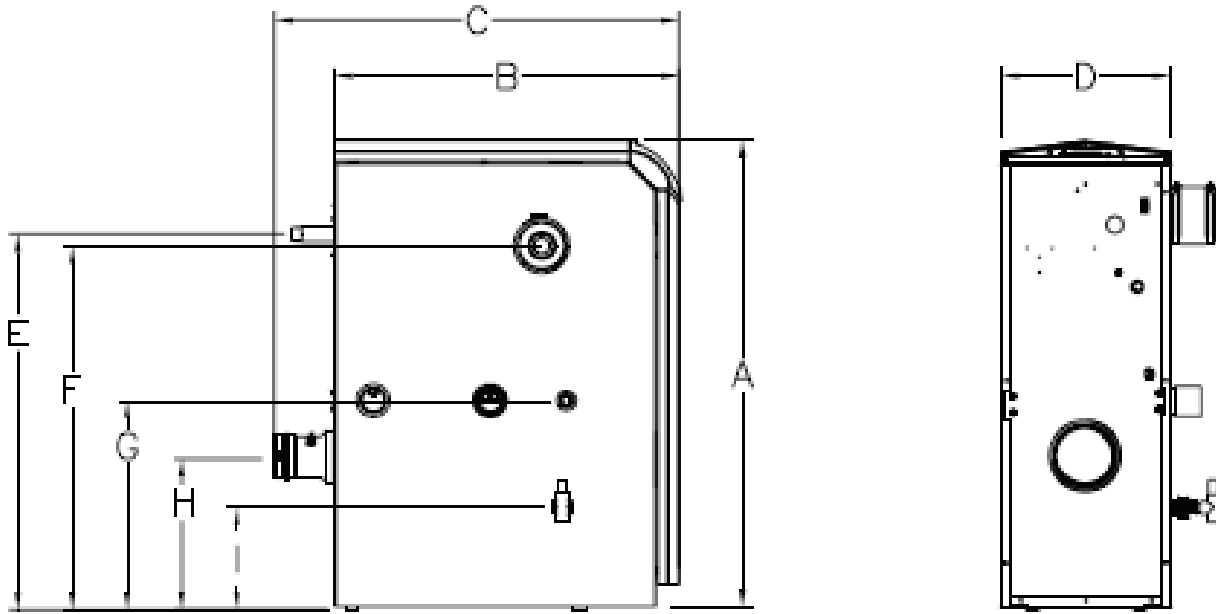
- Correct sizing of associated buffer vessel
- Dimensions and clearances
- Vented and Unvented installation requirements
- maintenance

ErP and Warranty

ErP Data including Product Fiche and Energy Labels where applicable and Warranty information are also available at www.lochinvar.ltd.uk

TECHNICAL PRODUCT SUBMITTAL

Herald HCB236CE



Description			Model					
			HCB86CE	HCB116CE	HCB146CE	HCB176CE	HCB206CE	HCB236CE
A	Height	mm	1080	1080	1080	1080	1080	1080
B	Depth	mm	503	688	798	925	1024	1153
C	Depth inc Flue Outlet	mm	715	828	938	1065	1164	1293
D	Width	mm	395	395	395	395	395	395
E	Gas Connection	mm	788	860	887	833	833	834
F	Air Inlet	mm	860	860	887	915	915	915
G	Water Connections	mm	477	477	477	477	477	477
H	Flue Outlet	mm	350	350	350	350	350	350
I	Condense Outlet	mm	230	230	230	230	230	230

Connection Sizes			Model					
			HCB86CE	HCB116CE	HCB146CE	HCB176CE	HCB206CE	HCB236CE
E	Gas Connection	BSP	¾"	1"	1"	1"	1"	1"
F	Air Inlet	mm	100	100	150	150	150	150
G	Water Connections	BSP	2"	2"	2"	2"	2"	2"
H	Flue Outlet	mm	100	100	150	150	150	150
I	Condense Outlet	PVC	½"	½"	½"	½"	½"	½"