

TECHNICAL PRODUCT SUBMITTAL

EcoShield SHW146-410CE



| | | |
|---|--------------------|-----------------|
| Nominal Input (net) | kW | 132.0 |
| Nominal Input (gross) | kW | 146.5 |
| Gas Flow Rate (natural gas) | m ³ /hr | 14.0 |
| Nominal Output | kW | 141.2 |
| EFFICIENCY DATA-Part L2 | | |
| Seasonal Efficiency (Part L2 Gross CV) | % | 96.4 |
| Maintenance consumption value | MJ/M | 302.0 |
| Maintenance consumption value | kW/24Hr | 2.7 |
| EFFICIENCY DATA-ErP and Energy Label | | |
| Ecodesign Energy Label rating | | n/a |
| Water Heater efficiency | % | 79 |
| GENERAL DATA | | |
| NOx emission @0% O ₂ | mg/kWh | 38.0 |
| Recovery Rate @ 44°C | l/hr | 2768 |
| Recovery Rate @ 50°C | l/hr | 2436 |
| Recovery Rate @ 56°C | l/hr | 2175 |
| Dimensions (height) | mm | 1920 |
| Dimensions (diameter) | mm | 865 |
| Storage Capacity | litres | 410 |
| Weight (empty) | kg | 406 |
| Weight (full) | kg | 860 |
| Insulation Thickness | mm | 50 |
| Insulation Material | | Polyurethane |
| Hot Outlet Connection (Copper pipe) | mm | 54 |
| Cold Feed Connection (Copper pipe) | mm | 54 |
| Gas Connection (inches) | BSP | R1 |
| Electrical Requirements | | 230V /1Ph/ 50hz |
| Power Consumption | W | 961 |
| Sound Power Level | LWA(db) | 66 |
| Maximum Flue Gas Temperature | °C | 120 |
| Max Outlet Temperature | °C | 80 |
| Maximum Working Pressure | bar | 10 |

EcoShield water heaters must be installed and maintained in line with the Installation Commissioning and Maintenance Instructions which are available on the Literature & Downloads section of www.lochinvar.ltd.uk

Particular attention should be made to:-

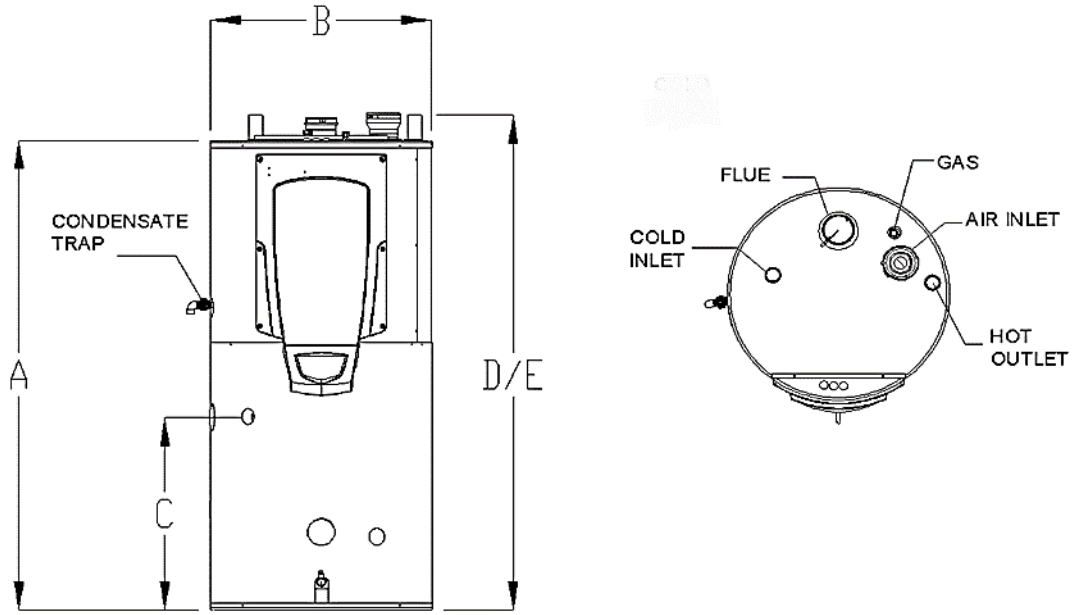
- Dimensions and clearances
- Vented and Unvented installation requirements
- maintenance

ErP and Warranty

ErP Data including Product Fiche and Energy Labels where applicable and Warranty information are also available at www.lochinvar.ltd.uk

TECHNICAL PRODUCT SUBMITTAL

EcoShield SHW146-410CE



| MODEL | HEIGHT | WIDTH | T&P VALVE | COLD FEED | HOT OUTLET |
|------------|--------|-------|-----------|-----------|------------|
| | A | B | C | D | E |
| SHW35-245 | 1530 | 715 | 755 | 1610 | 1610 |
| SHW46-325 | 1920 | 715 | 1117 | 2005 | 2005 |
| SHW61-325 | 1920 | 715 | 1126 | 2005 | 2005 |
| SHW86-410 | 1920 | 865 | 786 | 2020 | 2020 |
| SHW116-410 | 1920 | 865 | 786 | 2020 | 2020 |
| SHW146-410 | 1920 | 865 | 786 | 2020 | 2020 |