

TECHNICAL PRODUCT SUBMITTAL

EcoSable LGSS200-780GCE



Nominal Input (net)	kW	44
Nominal Input (gross)	kW	48.9
Gas Flow Rate (natural gas)	m ³ /hr	4.7
Nominal Output	kW	45.1
EFFICIENCY DATA-Part L2		
Seasonal Efficiency (Part L2 Gross CV)	%	92.2
Maintenance consumption value	kW/24Hr	2.06
EFFICIENCY DATA-ErP and Energy Label		
Ecodesign Energy Label rating		A
Water Heater efficiency	%	91
GENERAL DATA		
NOx emission @0% O2	mg/kWh	53
Recovery Rate @ 44°C	l/hr	894
Recovery Rate @ 50°C	l/hr	787
Recovery Rate @ 56°C	l/hr	715
Dimensions (height)	mm	1655
Dimensions (diameter)	mm	560
Storage Capacity	litres	186
Weight (empty)	kg	79
Weight (full)	kg	261
Insulation Thickness	mm	50
Insulation Material		Polyurethane
Hot Outlet Connection (inches)	BSP	R1
Cold Feed Connection (inches)	BSP	R1
Gas Connection (inches)	BSP	R $\frac{3}{4}$
Electrical Requirements		230V /1Ph/ 50hz
Power Consumption	W	230
Sound Power Level	LWA(db)	69
Maximum Flue Gas Temperature	°C	70
Max Outlet Temperature	°C	85
Maximum Working Pressure	bar	8.0

EcoSable water heaters must be installed and maintained in line with the Installation Commissioning and Maintenance Instructions which are available on the Literature & Downloads section of www.lochinvar.ltd.uk

Particular attention should be made to:-

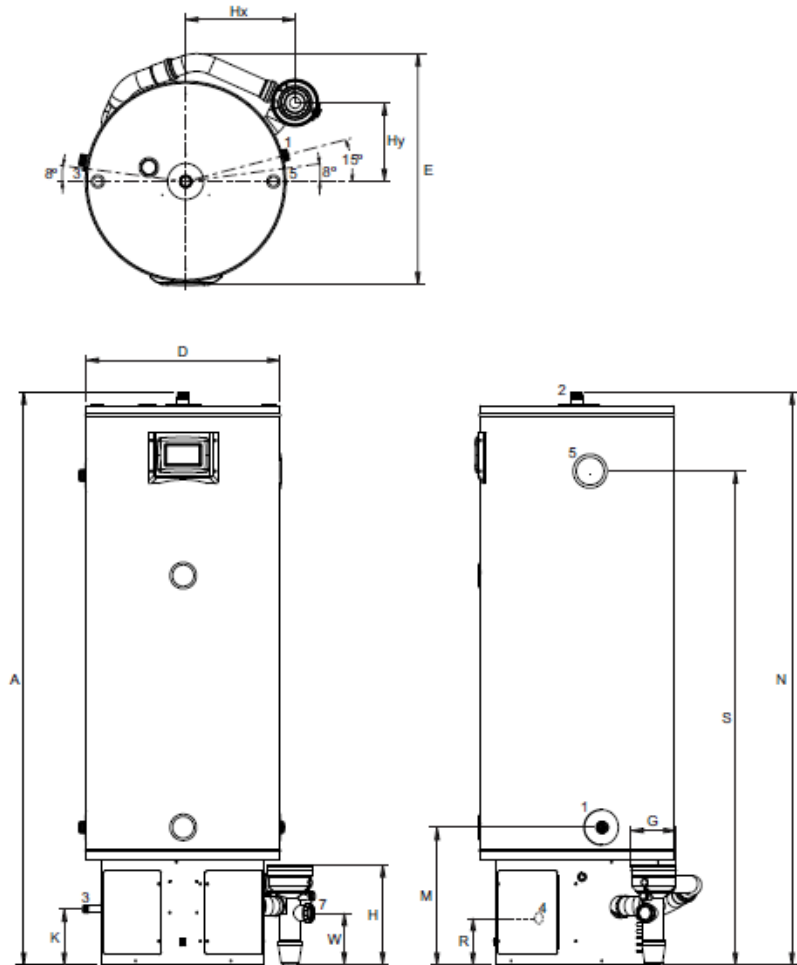
- Dimensions and clearances
- Vented and Unvented installation requirements
- maintenance

ErP and Warranty

ErP Data including Product Fiche and Energy Labels where applicable and Warranty information are also available at www.lochinvar.ltd.uk

TECHNICAL PRODUCT SUBMITTAL

EcoSable LGSS200-780GCE



AMD-13-49a / RD

			LGSS 200-600	LGSS 200-780
A	Height	mm	1655	1655
D	Diameter	mm	560	560
E	Depth	mm	730	730
G	Air intake/Flue gas outlet \varnothing	mm	125/80	125/80
H	Height air intake / Flue gas outlet	mm	300	300
K	Height gas connection	mm	170	170
M	Height cold water supply connection	mm	400	400
N	Height hot water outlet connection	mm	1655	1655
R	Height drain valve connection	mm	200	200
S	Height T&P-valve connection	mm	1420	1420
W	Height condensate outlet connection / siphon	mm	160	160
1	Cold water supply connection (male)	-	1"	1"
2	Hot water outlet connection (male)	-	1"	1"
3	Gas control valve connection (male)	-	3/4"	3/4"
4	Drain valve connection (male)	-	3/4"	3/4"
5	T&P-valve connection (male)	-	3/4"	3/4"
7	Condensate outlet connection (female)	mm	40	40