

# TECHNICAL PRODUCT SUBMITTAL

## EcoCharger ECH106-480GCE



Nominal Input (net)	kW	96.6
Nominal Input (gross)	kW	107.3
Gas Flow Rate (natural gas)	m3/hr	10.1
Nominal Output	kW	102.4
<b>EFFICIENCY DATA-Part L2</b>		
Seasonal Efficiency (Part L2 Gross CV)	%	95
Maintenance consumption value	MJ/M	733.2
Maintenance consumption value	kW/24Hr	6.7
<b>EFFICIENCY DATA-ErP and Energy Label</b>		
Ecodesign Energy Label rating		n/a
Water Heater efficiency	%	93
<b>GENERAL DATA</b>		
NOx emission @0% O2	mg/kWh	36
Recovery Rate @ 44°C	l/hr	2000
Recovery Rate @ 50°C	l/hr	1800
Recovery Rate @ 56°C	l/hr	1600
Dimensions (height )	mm	2060
Dimensions (diameter)	mm	850
Storage Capacity	litres	488
Weight (empty)	kg	480
Weight (full)	kg	968
Insulation Thickness	mm	50
Insulation Material		Polyurethane
Hot Outlet Connection (inches)	BSP	R1½
Cold Feed Connection (inches)	BSP	R1½
Gas Connection (inches)	BSP	R¾
Electrical Requirements		230V /1Ph/ 50hz
Power Consumption	W	145
Sound Power Level	LWA(db)	59
Maximum Flue Gas Temperature	°C	55
Max Outlet Temperature	°C	80
Maximum Working Pressure	bar	8.0

**EcoCharger water heaters** must be installed and maintained in line with the Installation Commissioning and Maintenance Instructions which are available on the Literature & Downloads section of [www.lochinvar.ltd.uk](http://www.lochinvar.ltd.uk)

Particular attention should be made to:-

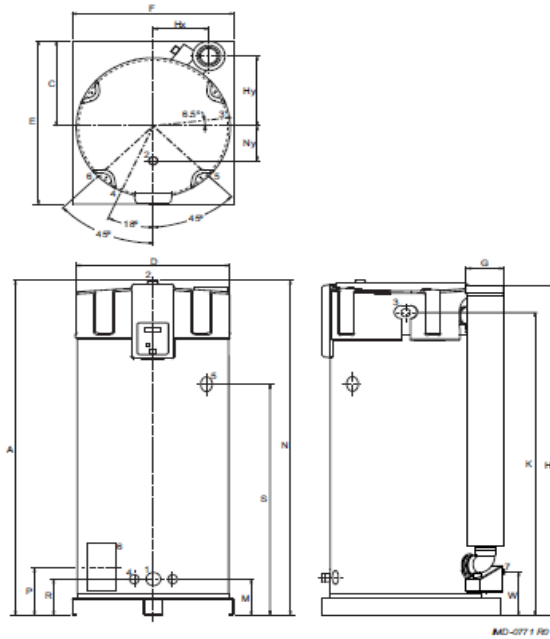
- Dimensions and clearances
- Vented and Unvented installation requirements
- maintenance

#### **ErP and Warranty**

ErP Data including Product Fiche and Energy Labels where applicable and Warranty information are also available at [www.lochinvar.ltd.uk](http://www.lochinvar.ltd.uk)

# TECHNICAL PRODUCT SUBMITTAL

## EcoCharger ECH106-480GCE



Water Heater Model			
	ECH87-480GCE	ECH106-480GCE	ECH129-480GCE
A	2060	2060	2060
*C	530	530	530
D	850	850	850
*E	1000	1000	1000
*F	900	900	900
G	130/200	130/200	130/200
H	1995	1995	1995
HX	310	310	310
HY	440	440	440
K	1855	1855	1855
M	225	225	225
N	2060	2060	2060
NY	205	205	205
P	290	290	290
R	225	225	225
S	1425	1425	1425
W	240	240	240

Item No	Description		ECH87-480GCE	ECH106-480GCE	ECH129-480GCE
1	Cold Water Inlet Connection (male)	Inch	R 1½	R 1½	R 1½
2	Warm Water Outlet Connection (male)	Inch	R 1½	R 1½	R 1½
3	Gas Connection (male)	Inch	R ¾"	R ¾"	R ¾"
4	Drain Valve Connection (female)	Inch	¾"	¾"	¾"
5	T&P-valve Connection (female)	Inch	1" - 11.5 NPT	1" - 11.5 NPT	1" - 11.5 NPT
6	Cleaning / Inspection Opening	mm	95 x 70	95 x 70	95 x 70
7	Condens Drain Connection	mm	40	40	40