

TECHNICAL PRODUCT SUBMITTAL

CPM96



Nominal Input (net)	kW	92.2
Nominal Input (gross)	kW	102
Gas Flow Rate (natural gas)	m3/hr	9.8
Output @50/30°C	kW	96
Output @55/35°C	kW	95
Output @80/60°C	kW	88
EFFICIENCY DATA-Part L2		
Seasonal Efficiency (@80/60°C According EN15502) Gross	%	95.2
Seasonal Efficiency (@55/35°C According EN15502) Gross	%	96.5
EFFICIENCY DATA-ErP and Energy Label		
Ecodesign Energy Label rating		n/a
Seasonal space heating energy efficiency	%	92.3
GENERAL DATA		
NOx emission @0% O2 According to EN15502	mg/kWh	35
Dimensions (height to flue)	mm	977
Dimensions (width)	mm	460
Dimensions (depth)	mm	486
Water Content	litres	6.5
Weight (empty)	kg	78
Weight (full)	kg	85
Flow Connection (inches)	BSP	1½
Return Connection (inches)	BSP	1½
Gas Connection (inches)	BSP	¾
Electrical Requirements		230V /1Ph/ 50hz
Maximum Power Consumption	W	270
Sound Power Level	LWA(db)	65
Maximum Flue Gas Temperature	°C	120
Max Flow Temperature	°C	90
Working Pressure Minimum	bar	1.0
Working Pressure Maximum	bar	4.0

CPM boiler must be installed and maintained in line with the Installation Commissioning and Maintenance Instructions which are available on the Literature & Downloads section of www.lochinvar.ltd.uk

Particular attention should be made to:-

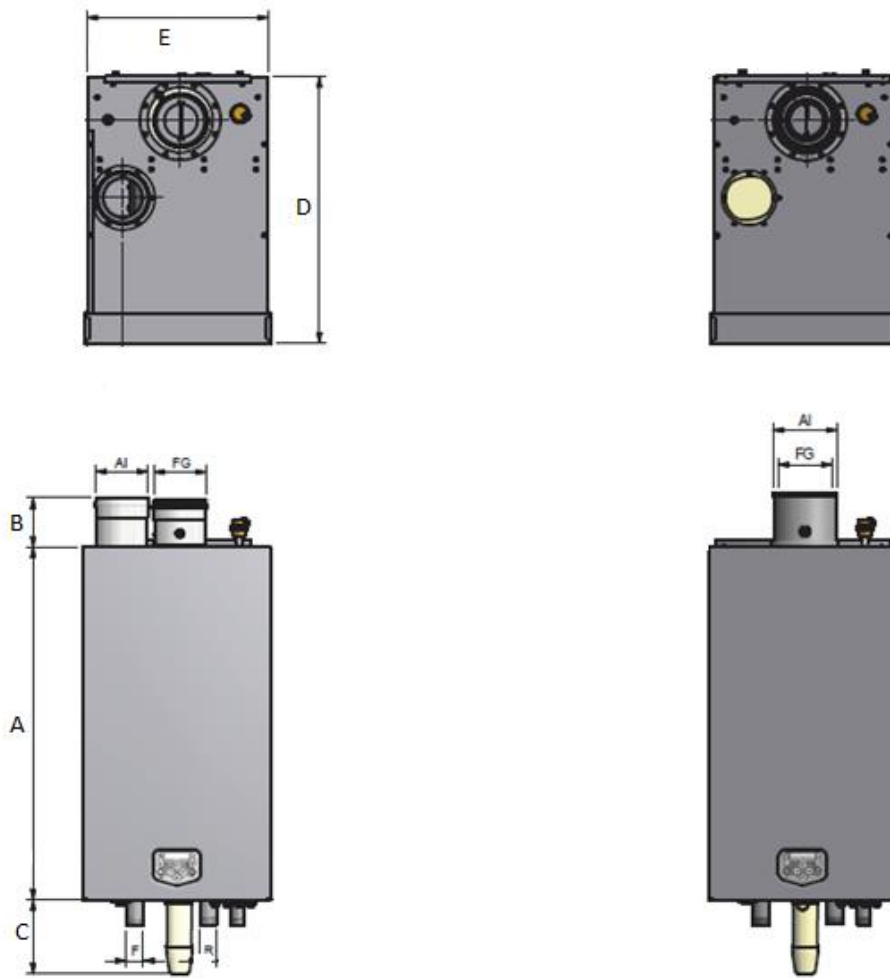
- Dimensions and clearances
- Vented and Unvented installation requirements
- maintenance

ErP and Warranty

ErP Data including Product Fiche and Energy Labels where applicable and Warranty information are also available at www.lochinvar.ltd.uk

TECHNICAL PRODUCT SUBMITTAL

CPM96



Connections	Model	CPM 58	CPM 77	CPM 96	CPM 116	CPM 144	CPM 175
FG (concentric)	mm	80/125		100/150			
AI (concentric)	mm						
FG (twin-pipe)	mm	80-80		100-100		130-130	
AI (twin-pipe)	mm						
Flow	Inch	R 1¼" (male)				R1½"	
Condensate	mm	flexible hose Ø25/21 x 750 mm					
Return	Inch	R 1¼" (male)				R1½"	
Gas	Inch	R ¾" (male)				R1"	
A	mm	842	842	842	842	898	898
B	mm	125	125	125	125	125	125
C	mm	190	190	190	190	190	190
D	mm	486	486	486	486	677	677
E	mm	460	460	460	460	460	460