

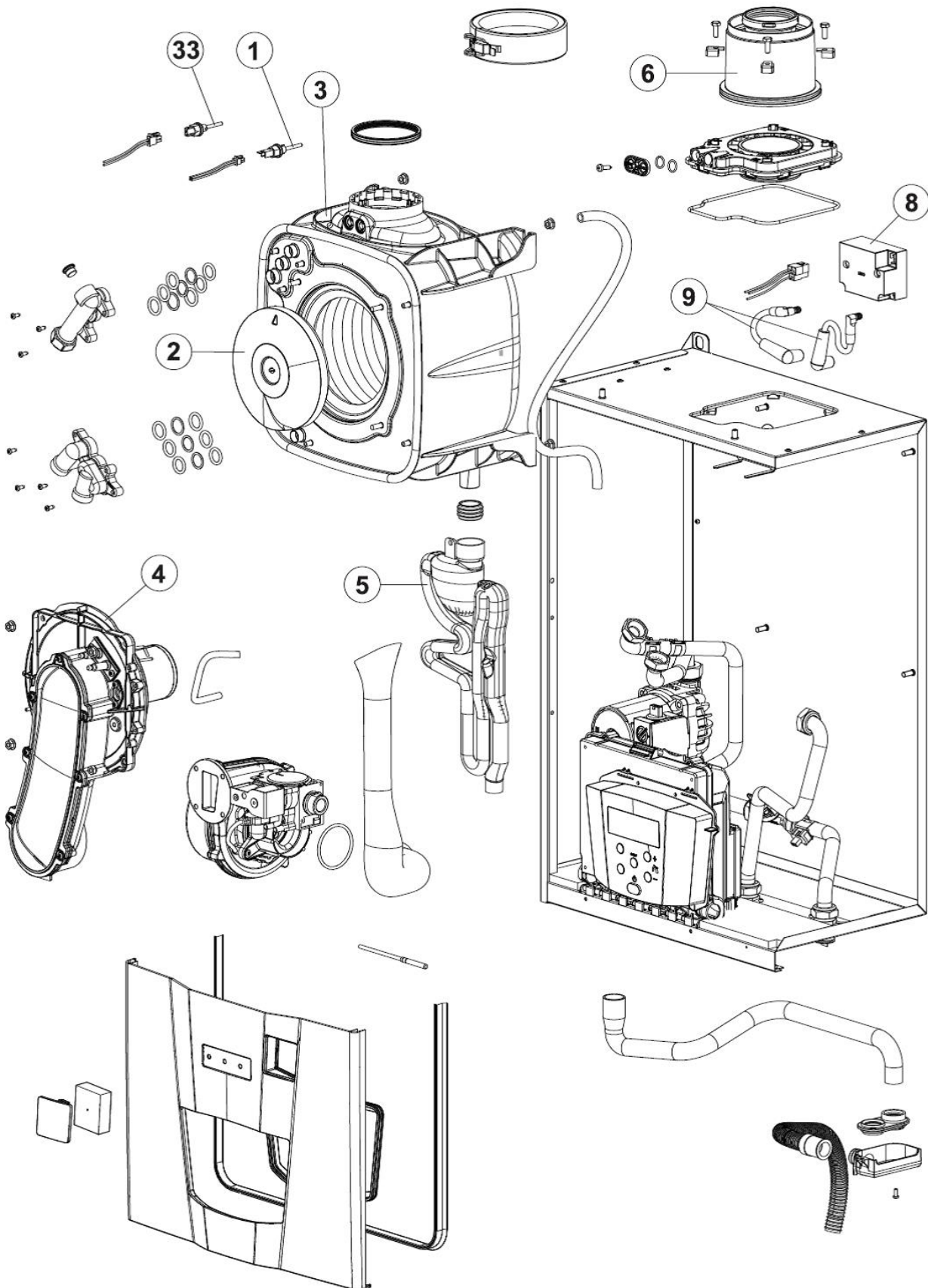
## IMPETUS WATER HEATER SPARE PARTS FINDER

Item No	Description of item	Item Comments	USE DRAWINGS 1,2 AND 3 BELOW		USE DRAWINGS 3,4 AND 5 BELOW
			IM550	IM750	IM1250
1	TEMPERATURE SENSOR	10K Ohm		LV312398	
2	BURNER DOOR INSULATION			LV312407	
3	HEAT EXCHANGER		LV312414	LV312414	LV312413
4	GAS INLET/BURNER DOOR ASSEMBLY		LV312412	LV312412	LV312411
5	CONDENSATE TRAP			LV312390	
6	CONCENTRIC ADAPTOR		LV312403		LV312404
7	MANUAL AIR VENT	-	-	-	LV312380
8	SPARK GENERATOR	230V HIGH CAPACITY		LV312348	
9	IGNITION CABLE			LV312338	
10	SENSE PROBE			LV312408	
11	SENSE PROBE GASKET			LV312357	
12	IGNITION ELECTRODE			LV312409	
13	IGNITION ELECTRODE GASKET			LV312356	
14	BURNER DOOR SILICON GASKET			LV312372	
15	GASKET			LV312355	
16	GASKET			LV312358	
17	BURNER		LV312406		LV312405
18	FAN GASKET			LV312371	
19	FAN		LV312392		LV312391
20	GAS VALVE			LV312410	

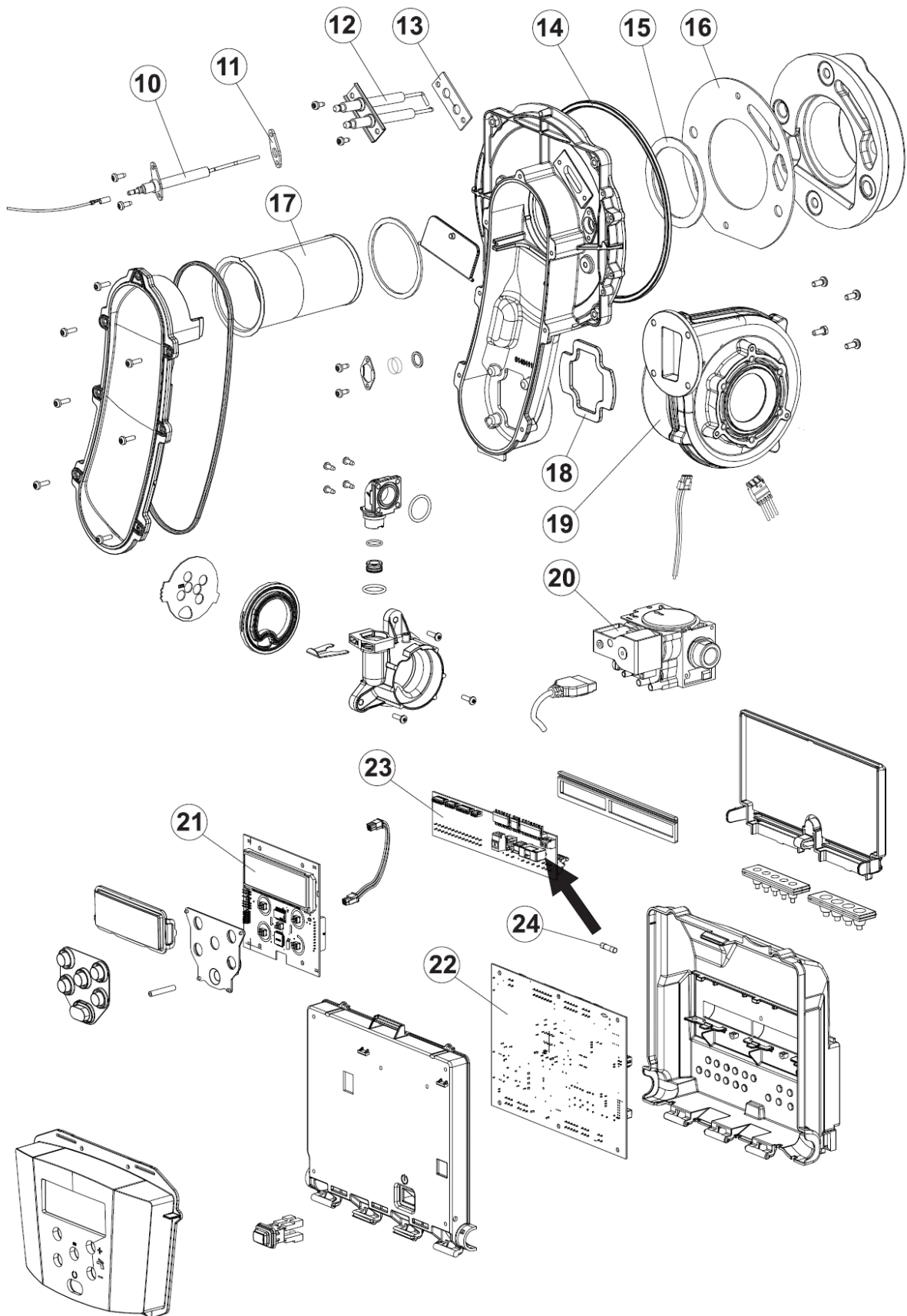
## IMPETUS WATER HEATER SPARE PARTS LIST

Item No	Description of item	Item Comments	USE DRAWINGS 1,2 AND 3 BELOW		USE DRAWING 3,4 AND 5 BELOW
			IM550	IM750	IM1250
21	DISPLAY BOARD			LV312394	
22	MAIN PCB			LV312393	
23	CONNECTIONS BOARD			LV312347	
24	FUSE			LV312337	
25	GASKET			LV312349	
26	PUMP			LV312401	
27	NON RETURN VALVE			LV312382	
28	GASKET			LV312350	
29	PRESSURE RELIEF VALVE	½" P FF (10 BAR)		LV312381	
30	CLIP SENSOR	4 POLES	LV312396		LV312400
31	CLIP SENSOR	2 POLES	LV312395		LV312399
32	VORTEX FLOW SENSOR		LV312384	LV312385	LV312386
33	BAYONET FUSE			LV312397	
34	BY-PASS VALVE	DN20 0.1BAR		LV312383	

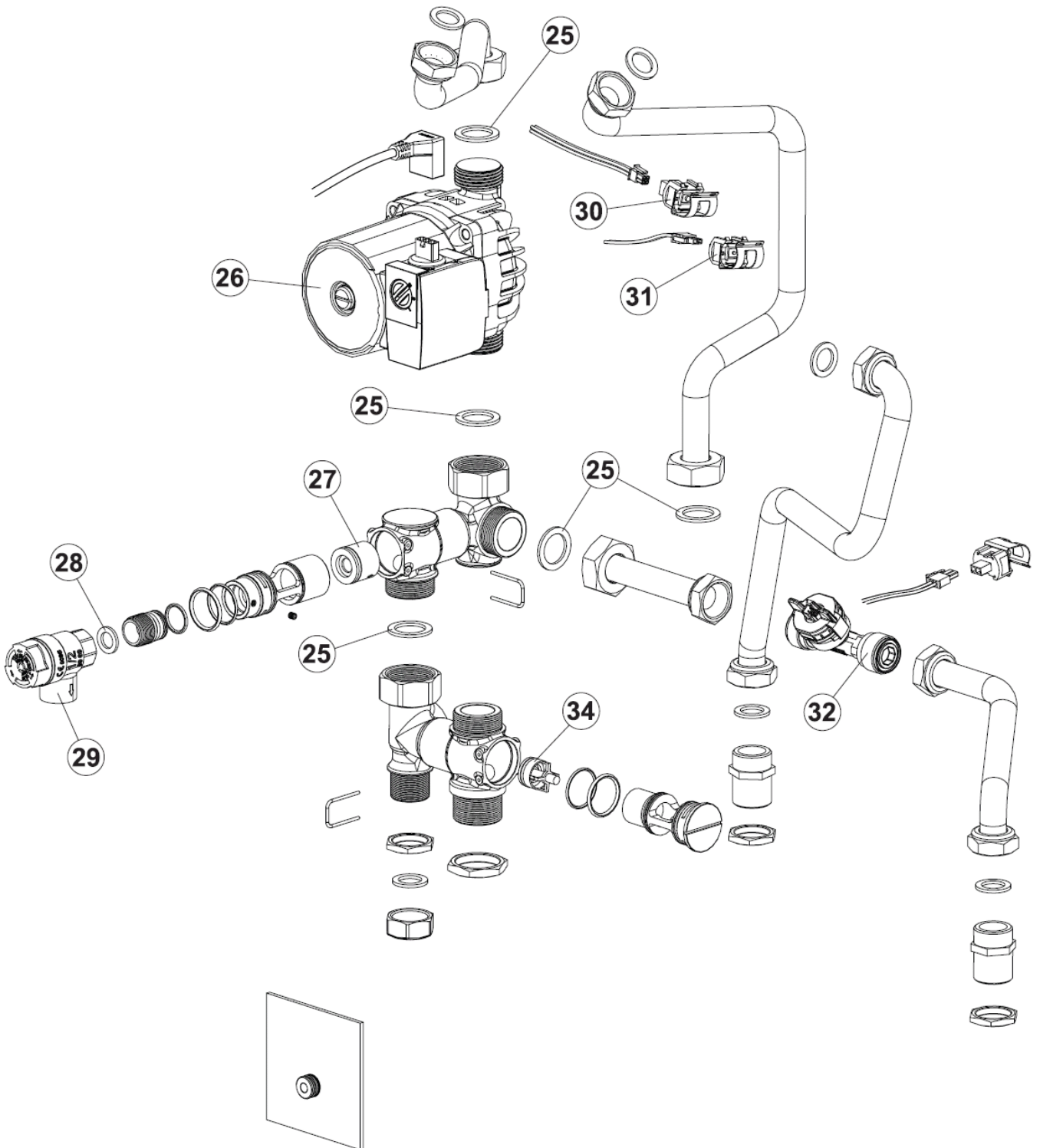
**DRAWING 1**



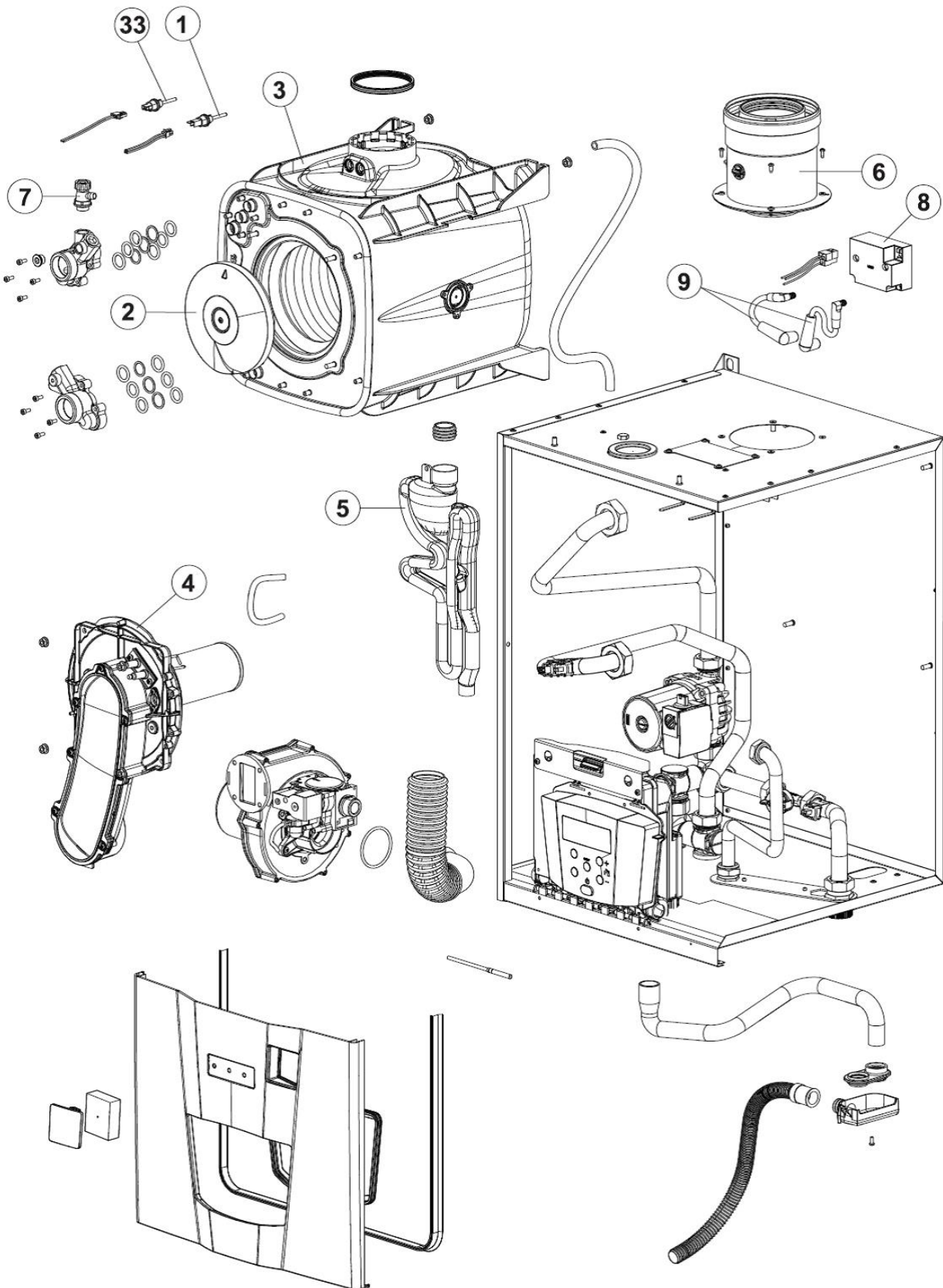
**DRAWING 2**



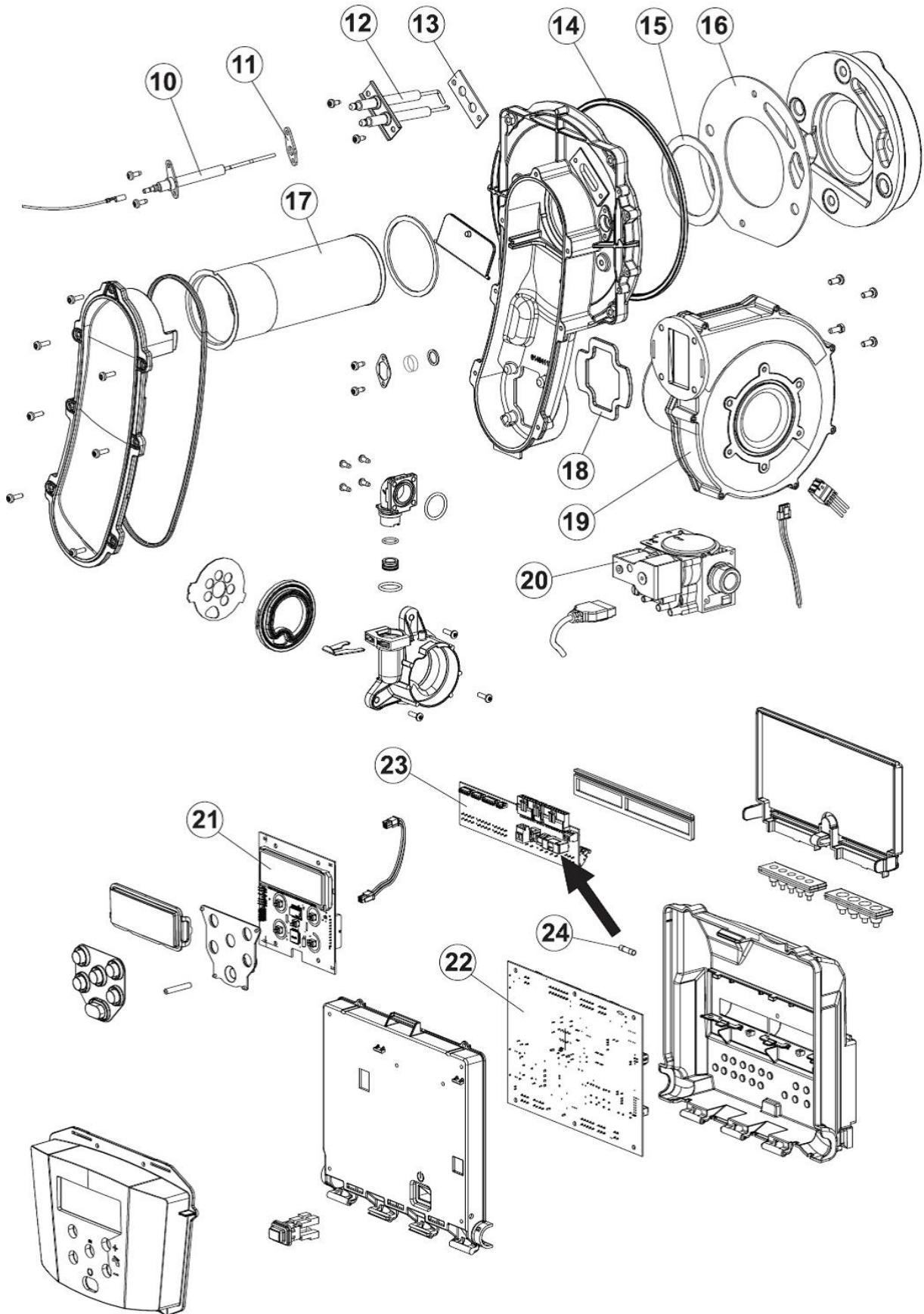
**DRAWING 3**



**DRAWING 4**



**DRAWING 5**



**DRAWING 6**

