

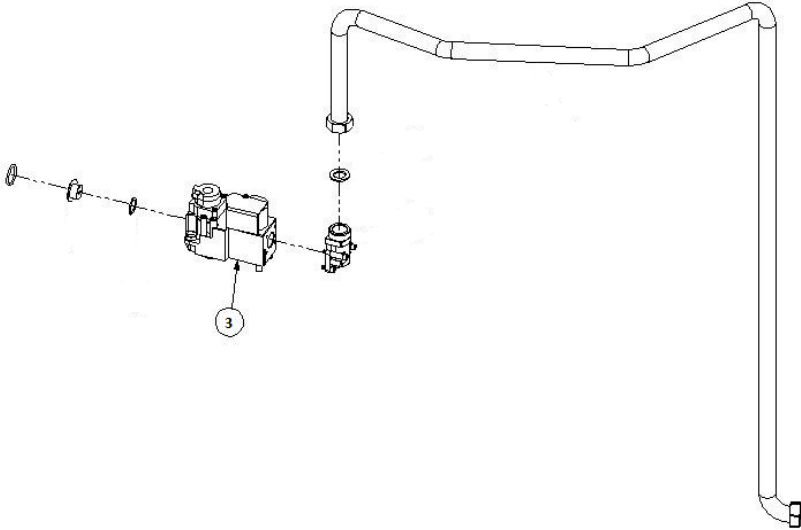
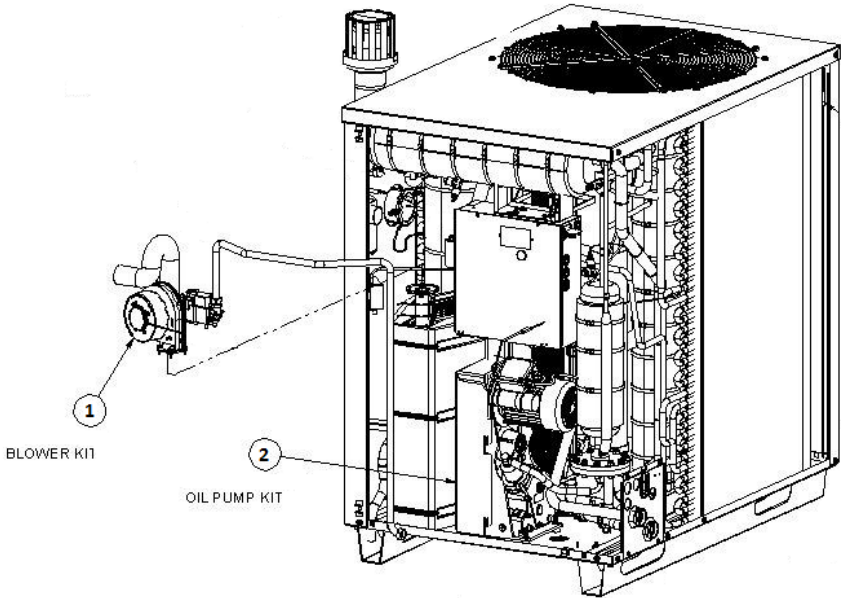
OPTIMUS REPLACEMENT PARTS LIST

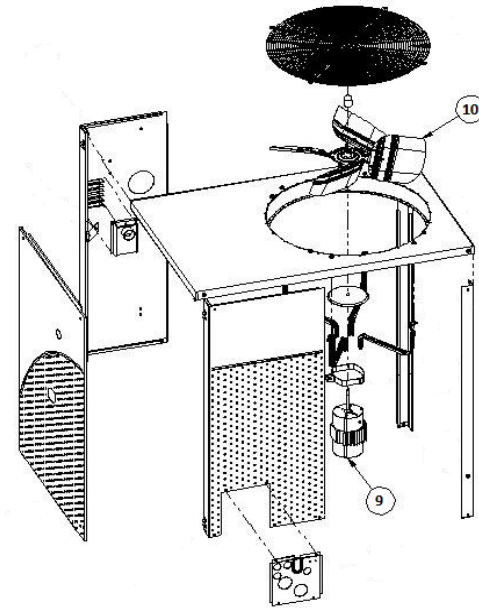
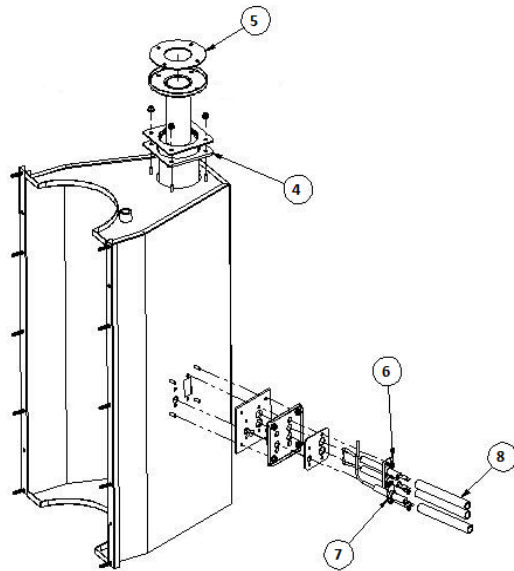


Item No	Description of item	Item Comments	LSGHP40HT	LCGHP40HT
1	COMBUSTION FAN FULL KIT		LR600008P	
2	OIL PUMP FULL KIT		LR600009P	LR600036P
3	GAS VALVE		LR600010P	
4	BURNER GASKET	Used on a Service	LR600011P	
5	BLOWER GASKET	Used on a Service	LR600012P	
6	IGNITION ELECTRODE	Used on a Service	LR600013P	
-	ELECTRODE WIRE	Used on a Service	LR600014P	
-	ELECTRODES GASKET KIT	Used on a Service	LR600015P	
7	FLAME SENSOR ELECTRODE	Used on a Service	LR600016P	
8	INSULATION FOR ELECTRODES	Used on a Service	LR600017P	
9	FAN MOTOR		LR600018P	SEE ITEM 11
10	FAN BLADE		LR600019P	SEE ITEM 11
11	QUIET FAN MOTOR		-	LR600020P
12	OIL PUMP MOTOR		LR600021P	
13	BELT +Z22 PULLEY	Used on a Service	LR600022P	
14	COMBUSTION FAN		LR600023P	
15	S61 PRINTED CIRCUIT BOARD		LR600024P	
16	W10 PRINTED CIRCUIT BOARD		LR600025P	
17	MOD10 PRINTED CIRCUIT BOARD		LR600026P	
18	FAN CAPACITOR		LR600027P	
19	180°C TEMPERATURE LIMIT THERMOSTAT		LR600028P	
20	IGNITION TRANSFORMER		LR600029P	
21	LIMIT THERMOSTAT		LR600030P	
22	PT1000 L.250 PROBE		LR600031P	
23	FRONT COMBUSTION CHAMBER		LR600032P	
24	BACK COMBUSTION CHAMBER		LR600033P	
25	FLOWMETER		LR600034P	

Note. Use in conjunction with Drawings on pages 2,3 & 4

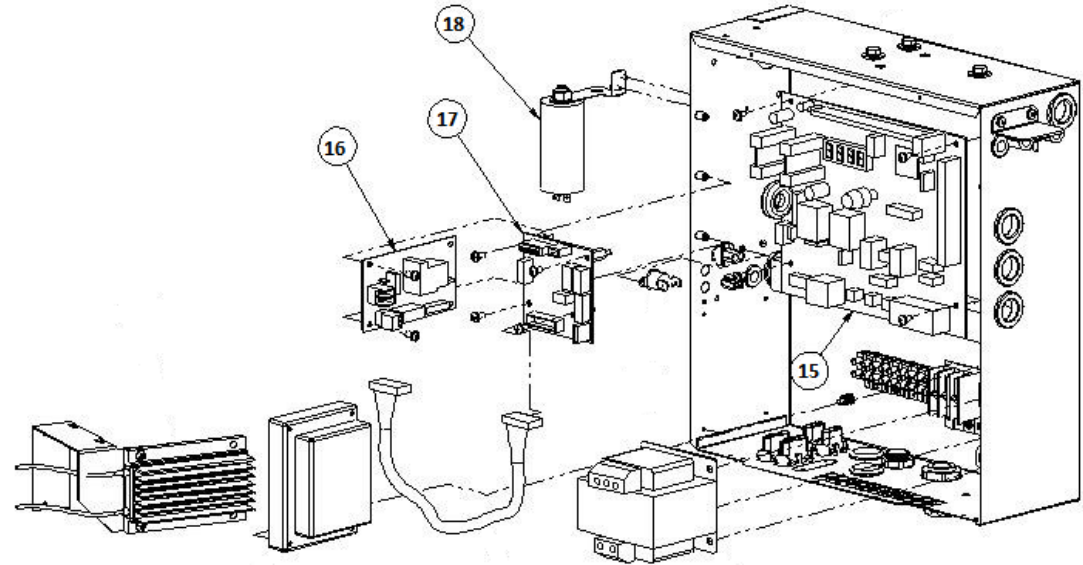
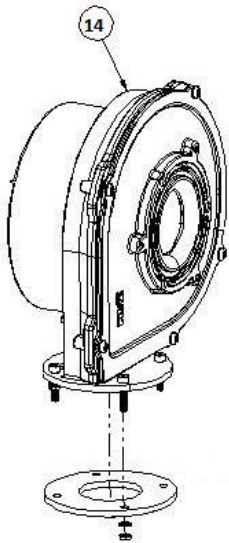
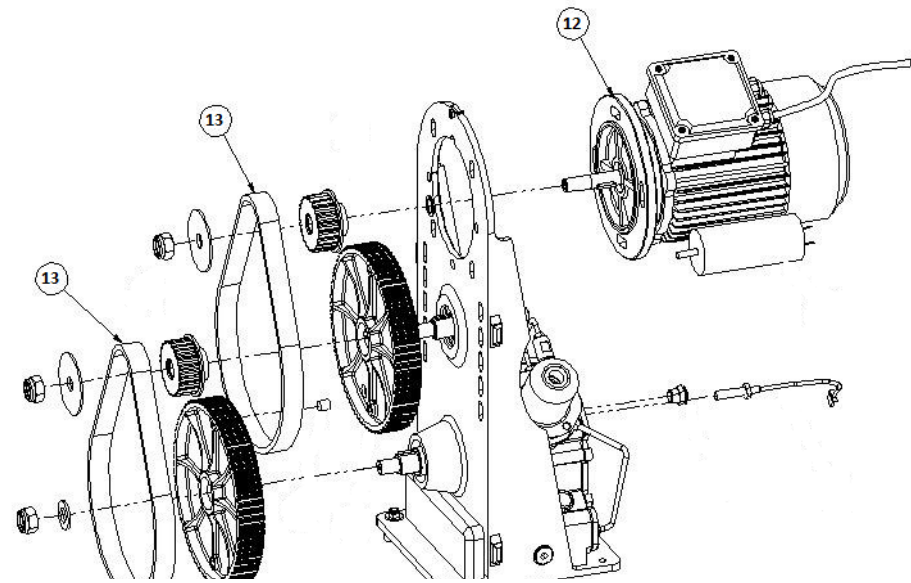
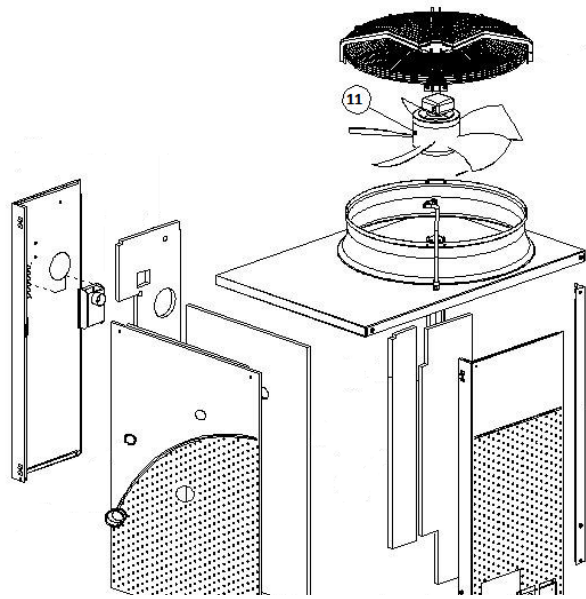
OPTIMUS REPLACEMENT PARTS LIST





OPTIMUS REPLACEMENT PARTS LIST





OPTIMUS REPLACEMENT PARTS LIST

