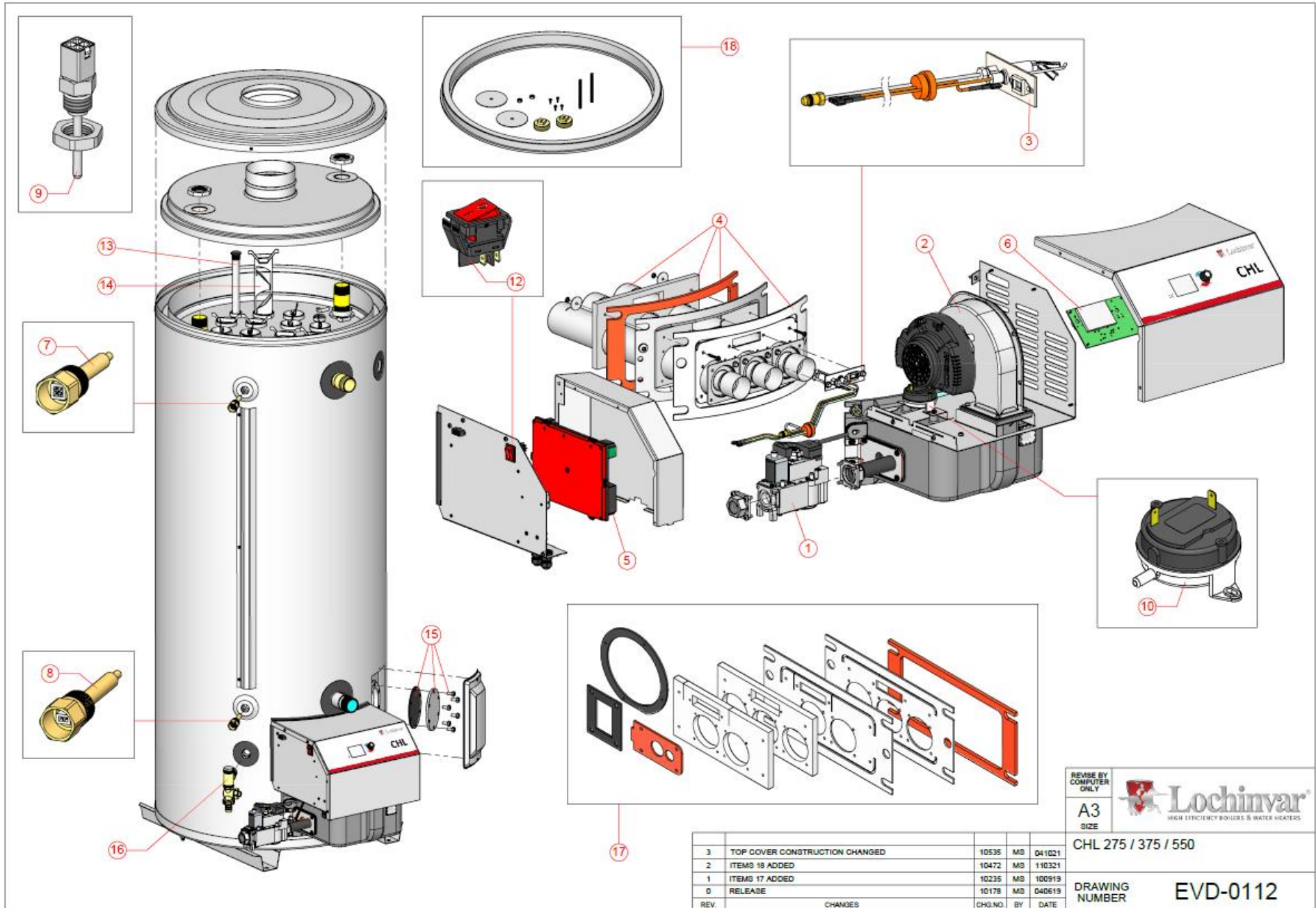


Charger Low NOx Spare Parts List

Refer to Drawing EVD-0112-R3			Model		
No	Description of Item	Item Comments	CHL 275 GCE	CHL 375 GCE	CHL 550 GCE
1	Gas valve		LV313463	LV313463	LV313463
2	Combustion Fan		LV313464	LV313464	LV313464
3	Pilot burner		LV313465	LV313465	LV313465
4	Main Burner		LV313466	LV313482	LV313482
5	Burner Control PCB		LV313467	LV313467	LV313467
6	Display Board		LV313468	LV313468	LV313468
7	Tank sensor (Top)		LV313469	LV313469	LV313469
8	Tank sensor (Bottom)		LV313470	LV313470	LV313470
9	Draught diverter Spill switch		LV313471	LV313471	LV313471
10	Air proving switch		LV313472	LV313472	LV313472
11	Cable assy		LV313479	LV313479	LV313479
12	On/Off switch		LV313480	LV313480	LV313480
13	Anodes	4 Anodes included in the box	LV313473	LV313474	LV313474
	Flexible Anodes	4 Anodes included in the box	LV313481	LV313481	LV313481
14	Flue Baffles		LV313475	LV313476	LV313477
15	Clean Out Service Kit	Gaskets and other small parts	LV305082	LV305082	LV305082
16	Drain Valve		LV313407	LV313407	LV313407
17	Burner Gasket Set	Gaskets, insulation board, fasteners	LV313478	LV313478	LV313478
18	Top cover mounting service kit	Used on models produced up to 1-8-21 only, not required on later models	LV313706	LV313706	LV313706

Note. Use in conjunction with Drawings EVD0012-R3 below



REVISE BY
COMPUTER
ONLY
A3
SIZE

CHL 275 / 375 / 550

REV	CHANGES	CHG.NO	BY	DATE
3	TOP COVER CONSTRUCTION CHANGED	10535	MS	041021
2	ITEMS 18 ADDED	10472	MS	110321
1	ITEMS 17 ADDED	10235	MS	100919
0	RELEASE	10178	MS	040619

DRAWING
NUMBER

EVD-0112