

Impetus Instantaneous Gas Fired Water Heater

Installation, Commissioning,
User & Maintenance Instructions

Models:
IM 550 GB NAT and GB LP
IM 750 GB NAT and GB LP
IM 1250 GB NAT and GB LP

LV312525 | October 2016



INDEX

1 - GENERAL SAFETY RECOMMENDATIONS	4
1.1 - National laws and regulations	5
2 - GENERAL INFORMATION	6
2.1 - Model overview	6
2.2 - Manufacturer	7
2.3 - Symbols key	7
2.4 - Maintenance	7
3 - MAIN COMPONENTS	8
4 - OPERATION	12
4.1 - Operation and intended use of the appliance	13
4.2 - Examples of installation	14
5 - INSTALLATION	15
5.1 - Opening the packaging	15
5.2 - Dimensions and minimum clearances	15
5.3 - Choosing suitable installation location	15
5.4 - Mounting the appliance	15
5.5 - Domestic hot and cold water	15
5.6 - Gas	16
5.7 - Condensate drain	16
5.8 - Unvented system arrangement	17
5.9 - Safety pressure relief valve	17
5.10 - Hydraulic and gas connections	17
5.11 - Secondary return	17
5.12 - Electrical connections	18
5.12.1 - Power supply cable connection	19
5.13 - Flue systems	20
5.13.1 - Exhaust flue and air intake type B23	21
5.13.2 - "Twin-pipe 80/80PP" System (polypropylene) (Type C13; C33) IM 550 and 750	22
5.13.3 - "Twin-pipe 80/80PP" System (polypropylene) (Type C13; C33) IM 1250	23
5.13.4 - "60/100PP vertical concentric" System (polypropylene) (Type C13; C33) IM 550 and 750	25
5.13.5 - "80/125PP vertical concentric" System (polypropylene) (Type C13; C33) IM 1250	27
6 - OPERATING	29
6.1 - Operating	29
6.1.1 - User instructions	29
6.1.2 - Filling the condensate drain siphon	29
6.2 - General recommendations regarding the supply of gas	29
6.3 - Type of gas for which the appliance is regulated	30
6.4 - Conversion of the appliance from one type of gas to another	30
6.5 - Ignition	32
6.6 - Check the gas supply pressure	32
6.7 - Measurement and adjustment of CO2 levels	33
6.8 - Self-learning and calibration of the minimum and maximum capacity output	34
6.9 - Adjust the domestic hot water flow rate	34
6.10 - Check the capacity input	34
7 - USE	35
7.1 - Display	35
7.2 - Ignition procedure	35
7.3 - "User menu"	36
7.4 - Adjustment of the domestic hot water temperature	36
7.5 - Pump control features and timers	36
7.6 - Display Energy Saving mode	36
7.7 - "User menu" Parameters	37
7.8 - "Installer menu" & parameters	38
7.9 - Diagnostics	39
7.9.1 - Diagnostics "Loc" block fault codes and potential solution	40
7.9.2 - Diagnostics "E" error fault codes and potential solutions	42
7.10 - Switch ON and OFF the appliance	43
8 - MAINTENANCE	44
8.1 - Care and maintenance	44
8.1.1 - Service recall	44
8.1.2 - Address reported problems	44
8.1.3 - Check all piping for gas leaks	44

INDEX

8.1.4 - Verify flue and air lines in good condition and sealed tight;	44
8.1.5 - Check system water pressure/system piping/expansion tank;	44
8.1.6 - Check control settings.....	44
8.1.7 - Check wiring and connections	45
8.2 - Casing removal	45
8.3 - Burner and fan removal.....	46
8.3.1 - Thermal insulations	46
8.4 - Gas burner and heat exchanger outer surface cleaning procedure	46
8.5 - Condensate siphon cleaning procedure.....	48
8.6 - Ignition and ionisation flame electrodes position.....	49
8.7 - Circulation pump replacement procedure	49
8.8 - Domestic water flow meter replacement procedure.....	50
8.9 - Safety pressure relief valve replacement procedure.....	50
8.10 - Procedure for draining the water heater.....	51
8.11 - Fan test mode procedure	51
8.12 - Gas burner minimum and maximum power test mode procedure	51
8.13 - Checking the ionisation current.....	51
8.14 - Water temperature sensor testing procedure.....	51
8.15 - Electrical connections	52
8.16 - Internal multi-core wiring diagram	54
9 - TECHNICAL DATA	56
10 - COMMAND MENU DIAGRAM.....	57
11 - ENGINEERS TEST MODE.....	58
12 - CE DECLARATION OF CONFORMITY	59
13 - WARRANTY	60
14 - PRODUCT FICHE.....	61

1 - GENERAL SAFETY RECOMMENDATIONS

If you smell gas

1. - Close the manual gas valve.
2. - Ventilate the room.
3. - Do not switch on any electric device, telephone included.
4. - From another room, call a professionally qualified technician immediately or the gas supply company. Call the Fire department if the former is not available.

If you can smell combustion products

1. - Switch the appliance off.
2. - Ventilate the room.
3. - Call a professionally qualified technician.

Explosive or highly flammable products

Do not store or use explosive or highly flammable materials such as paper, solvents, paints, etc...in the same room where the appliance is installed.

Installation, modifications

- ☞ The gas appliance must be installed, calibrated or modified by professionally qualified staff, in compliance with National and local Standards, as well as the instructions in this manual.
- ☞ Incorrect installation or poor maintenance can cause injury/damage to persons, animals or objects, for which the manufacturer cannot be deemed liable.
- ☞ The appliance must be connected to an approved flue system. Failure to comply with this regulation can lead to serious risks for people and animals
- ☞ A domestic hot water temperature level exceeding 51°C can cause permanent injury/damage to people, animals and objects. Special care should be taken to protect children, the elderly and those with special needs using non-accessible blending valves to limit the flow hot water temperature at outlets.
- ☞ The water heater flue system must not be modified by unqualified person.
- ☞ The flue system terminals should not be obstructed in any way.
- ☞ Do not leave parts of the packaging and any replaced parts within the reach of children.
- ☞ Seal the adjustment devices after every calibration.
- ☞ In agreement with the provisions for use, the user must keep the installation in good working order and guarantee reliable and safe operation of the appliance.
- ☞ We also highlight the importance of an annual scheduled maintenance contract with a professionally qualified technician.
- ☞ The end user must have maintenance performed on the appliance only by professionally qualified technicians in accordance with this manual and in full compliance with both local and national standards.
- ☞ Before performing any cleaning or maintenance, disconnect the appliance from the mains power supply.
- ☞ After any cleaning or maintenance, before reconnecting the power supply, make sure that all internal parts are properly dry.
- ☞ This appliance is not intended for use by persons (including children) with reduced physical and sensory conditions or lack of experience and knowledge, unless they have been given supervision or instruction concerning use of the

appliance by a person responsible for their safety.

- ☞ This manual is an integral and essential part of the product and must be kept carefully by the user, for possible future consultation. If the appliance must be transferred or if you should move and leave the unit to another user, always ensure that this manual remains with the new user and/or installer.
- ☞ Any accessories or kits which might be added must be original Lochinvar products.
- ☞ This appliance must be intended only for the use for which it has been expressly declared: production of domestic hot water for civilian use.
- ☞ Any contractual and extra contractual liability of the manufacturer is excluded for damage caused by installation errors or errors in use and however due to failure to comply with the instructions given by the manufacturer or by failure to comply with applicable national and/or local laws.
- ☞ For safety reasons and respect for the environment, the packaging elements must be disposed of in the relevant separate waste collection centres.

In case of breakdown

In the case of appliance breakdown and/or malfunctioning, deactivate it and do not attempt any repairs. Contact a professionally qualified technician only. If components must be replaced for repair to be successful, only use original spare parts. Failure to comply with the above can jeopardise the safety of the appliance.

Professionally qualified technician.

Professionally qualified technicians with certified training covering gas boilers and/or gas water heaters as envisioned by the law.

Technical drawings

All drawings in this manual relating to electrical wiring, hydraulic and gas layouts are purely indicative. The external services such as electrical cable types and sizes, water services pipes and gas services must always be checked by a professionally qualified technician or engineer to verify compliance with all relevant standards, Laws and codes of good practice.

1 - GENERAL SAFETY RECOMMENDATIONS

1.1 - National laws and regulations

Gas Safety (installations and Use) Regulations 1998 (as amended).

It is law that all gas appliances are installed by competent persons, in accordance with the above regulations. Failure to install appliances correctly could lead to prosecution. It is in your own interest and that of safety, to ensure that this law is complied with.

The installation of the water heater MUST be in accordance with the relevant requirements of the Gas Safety Regulations, Building Regulations, IEE Regulations and the Water Supply (water fittings) Regulations.

The installation should also be in accordance with any relevant requirements of the HSE, local gas region and local authority and the relevant recommendations of the following documents:

British and European Standards

- **BS 6891:**

Installation of low pressure gas pipework of up to 35 mm (R1¼) in domestic premises (2nd family gas) - Specification. Note: for larger installations see **IGE/UP/2 below**.

- **BS 6798:**

Specification for installation and maintenance of gas-fired boilers of rated input not exceeding 70 kW net.

- **BS 6644:**

Specification for installation of gas-fired hot water boilers of rated inputs between 70 kW (net) and 1.8 MW (net) (2nd and 3rd family gases).

- **BS 6700:**

Design, installation, testing and maintenance of services supplying water for domestic use within buildings and their cartilages - Specifications

- **BS EN 806-2:**

Specification for installations inside buildings conveying water for human consumption. Part 2: Design.

- **BS 5546:**

Specification for installation of hot water supplies for domestic purposes, using gas-fired appliances of rated input not exceeding 70 kW.

- **BS 5440:**

Flueing and ventilation for gas appliances of rated input not exceeding 70 kW net (1st, 2nd and 3rd family gases).

Part 1: Specification for installation of gas appliances to chimneys and for maintenance of chimneys.

Part 2: Specification for installation and maintenance of ventilation for gas appliances.

Institute of Gas Engineers and Managers (IGEM) Publications

- **IGE/UP/1:**

Soundness testing and purging of industrial and commercial gas installations.

- **IGE/UP/1A:**

Soundness testing and direct purging of small low pressure industrial and commercial natural gas installations.

- **IGE/UP/2:**

Gas installation pipework, boosters and compressors on industrial and commercial premises.

- **IGE/UP/10:**

Installation of flued gas appliances in industrial and commercial premises.

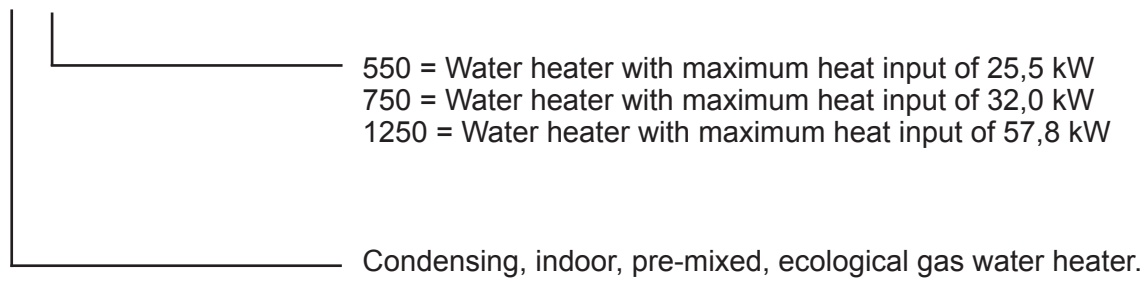
CIBSE Publications

- **Guide G: Public Health Engineering.**



2.1 - Model overview

IM XX



2.2 - Manufacturer

Lochinvar Ltd
7 Lombard Way, The MXL Centre, Banbury,
Oxon, OX16 4TJ
United Kingdom
Telephone: +44(0) 1295 269 981
Fax: +44(0) 1295 271 640,
Email: info@lochinvar.ltd.uk
Website: www.lochinvar.ltd.uk

2.3 - Symbols key



CAUTION !!!

Electric shock hazard. Failure to comply with these recommendations can compromise the good working order of the appliance or cause serious damage to persons, animals or objects.



CAUTION !!!

General hazard. Failure to comply with these recommendations can compromise the good working order of the appliance or cause serious damage to persons, animals or objects.

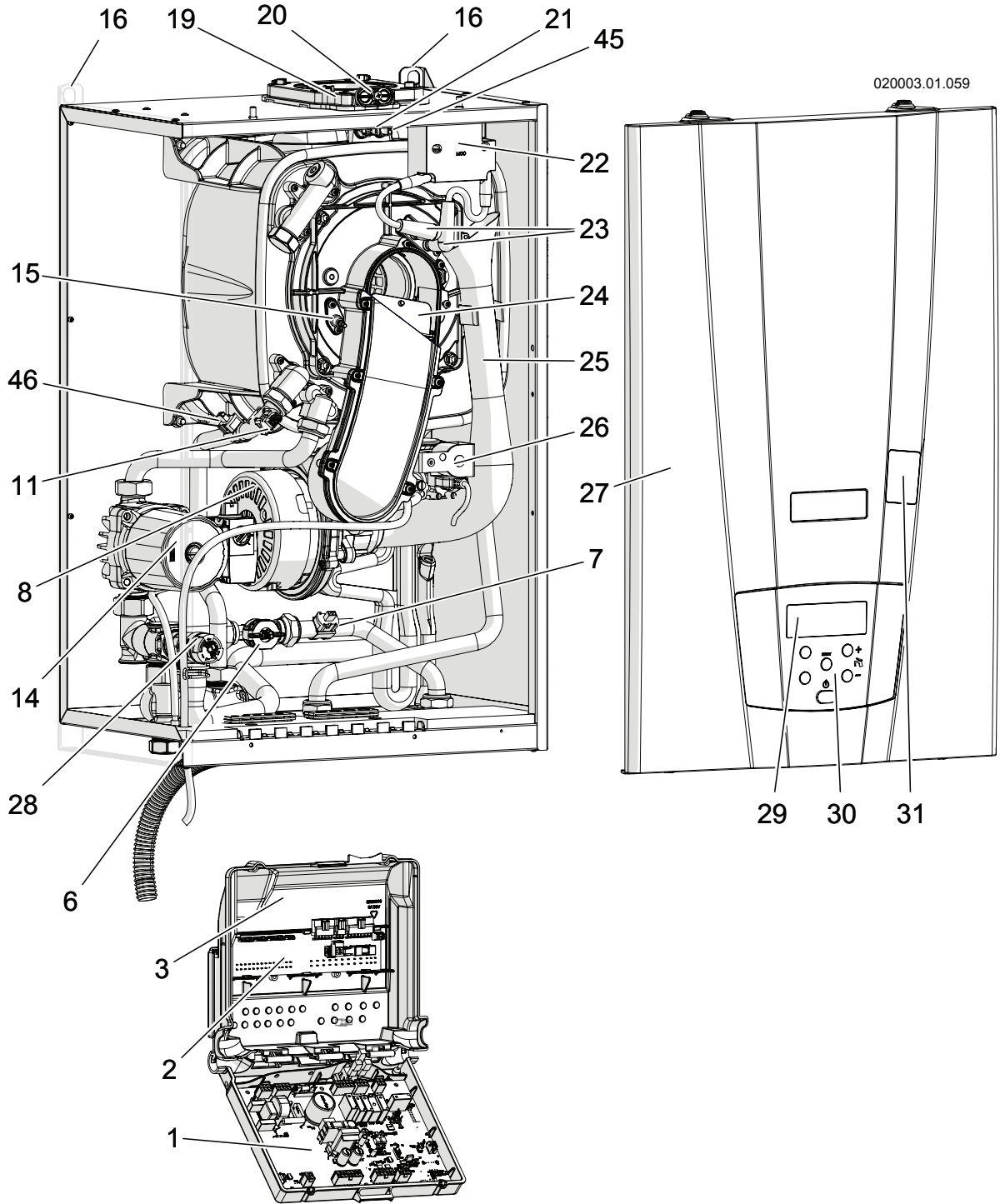
 Important indication symbol.

2.4 - Maintenance

Servicing is recommended at intervals no greater than 12 months to aid trouble free operation. Even if a maintenance schedule is determined to be less than annually, it is important that all controls and safety features be checked for correct operation on an annual basis.

Offer your customer a scheduled maintenance contract.

3 - MAIN COMPONENTS

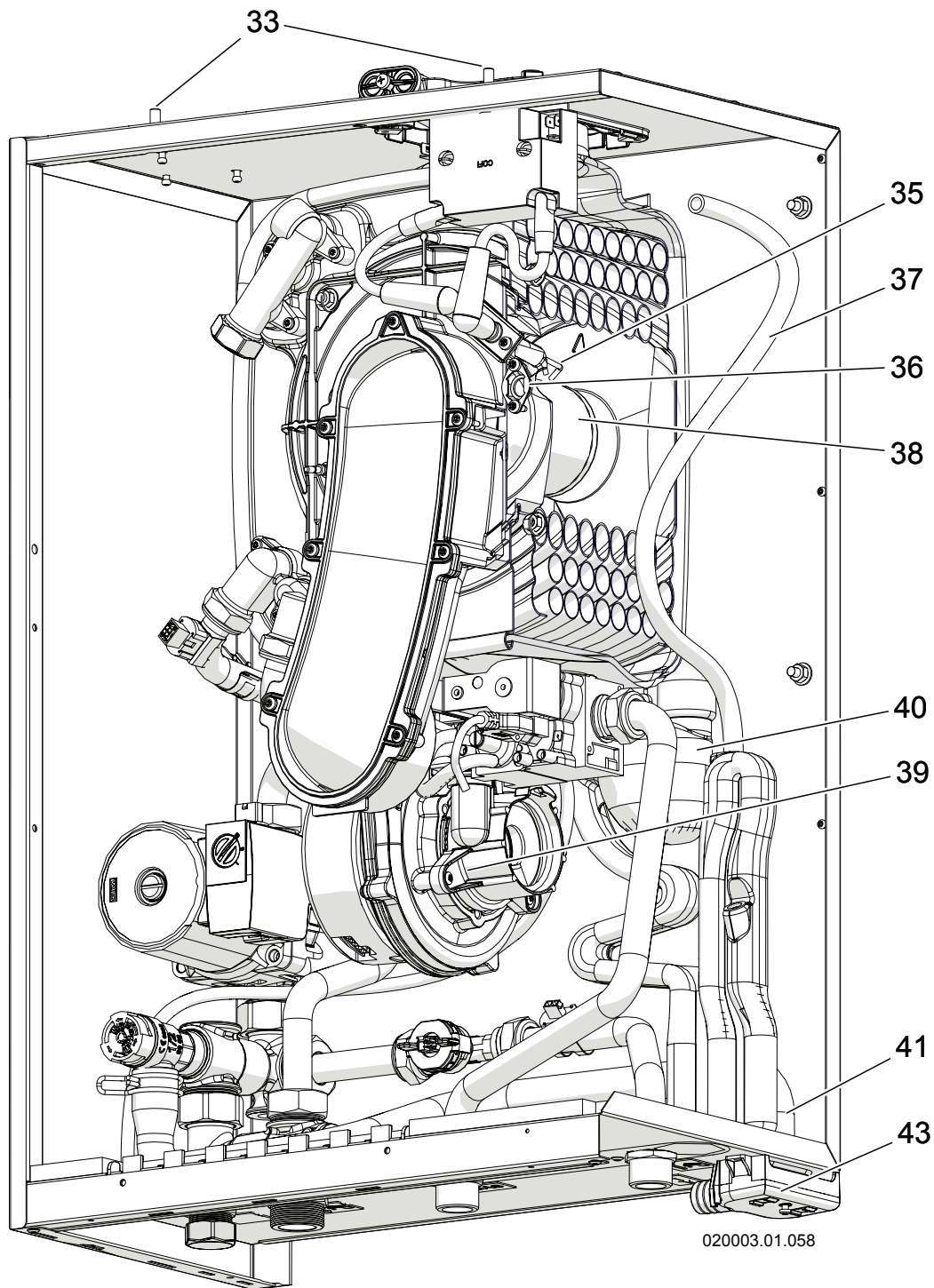


020003.01.059

- | | |
|--|--|
| <ul style="list-style-type: none"> 1 - Command and control board 2 - Electric connections board 3 - Electrical box 4 - ----- 5 - ----- 6 - Water flow meter 7 - Cold water temperature sensor (1007) 8 - Fan 9 - ----- 10 - ----- 11 - Heat exchanger output sensors (1001 and 1005) 12 - ----- 13 - ----- 14 - Pump <u>MUST STAY ALWAYS ON THIRD SPEED POSITION</u> 15 - Flame detection electrode | <ul style="list-style-type: none"> 16 - Wall fixing brackets 17 - ----- 18 - ----- 19 - Combustion air and exhaust flue connection 20 - Combustion analysis ports 21 - Exhaust flue temperature sensor (1006) 22 - Spark generator 23 - Ignition cables 24 - Combustion gases non-return valve. 25 - Air inlet manifold 26 - Gas valve 27 - Front cover 28 - Safety valve 29 - Display 30 - Control panel 31 - Gas valve adjustment door |
|--|--|

Figure 3-1 - Water heater internal components IM 550 and 750

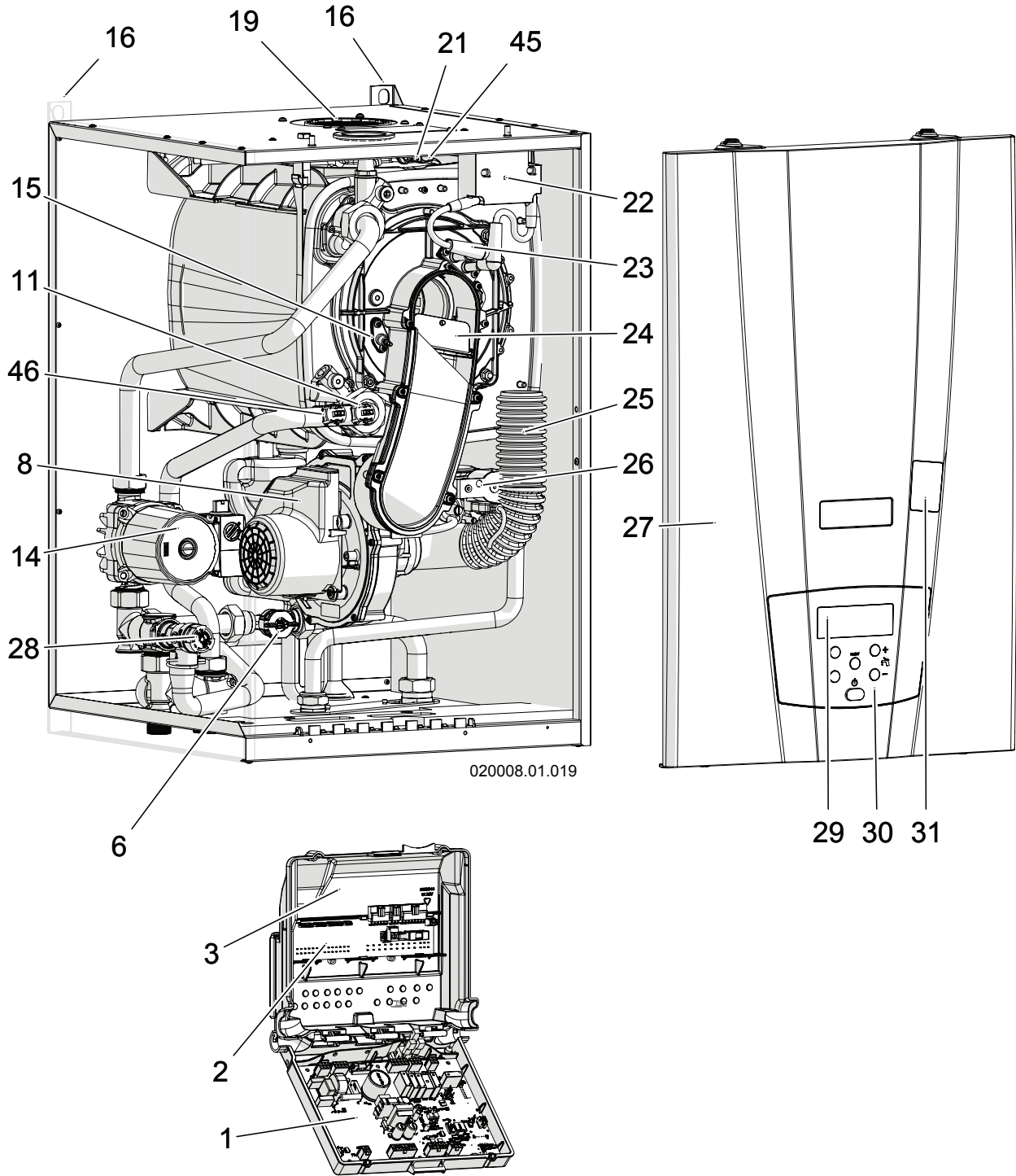
3 - MAIN COMPONENTS



- 32 - -----
- 33 - Front cover fixing tabs
- 34 - -----
- 35 - Ignition electrodes
- 36 - Burner sight glass
- 37 - Flue condensate collection collar drain pipe (connected to siphon)
- 38 - Burner
- 39 - Air/gas mixer
- 40 - Condensate drain siphon
- 41 - Safety valve drain pipe
- 42 - -----
- 43 - Condensate collection funnel
- 44 - -----
- 45 - High limit flue gas temperature fuse
- 46 - D.H.W. temperature sensor (1002)

Figure 3-2 - Water heater internal components IM 550 and 750

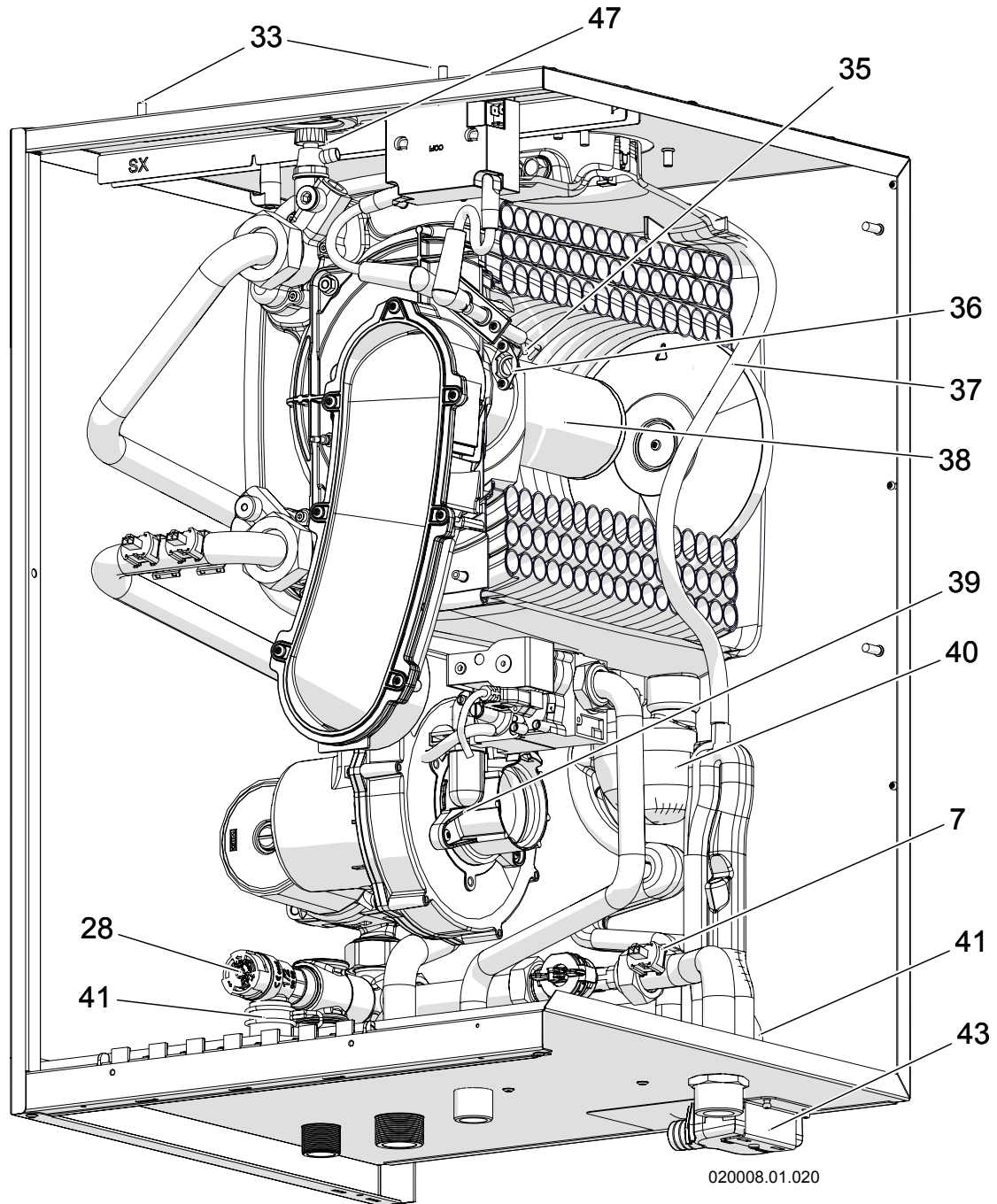
3 - MAIN COMPONENTS



- | | |
|--|--|
| <ul style="list-style-type: none"> 1 - Command and control board 2 - Electric connections board 3 - Electrical box 4 - ----- 5 - ----- 6 - Water flow meter 7 - Cold water temperature sensor (1007) 8 - Fan 9 - ----- 10 - ----- 11 - Heat exchanger output sensors (1001 and 1005) 12 - ----- 13 - ----- 14 - Pump <u>MUST STAY ALWAYS ON THIRD SPEED POSITION</u> 15 - Flame detection electrode | <ul style="list-style-type: none"> 16 - Wall fixing brackets 17 - ----- 18 - ----- 19 - Combustion air and exhaust flue connection 20 - ----- 21 - Exhaust flue temperature sensor (1006) 22 - Spark generator 23 - Ignition cables 24 - Combustion gases non-return valve. 25 - Air inlet manifold 26 - Gas valve 27 - Front cover 28 - Safety valve 29 - Display 30 - Control panel 31 - Gas valve adjustment door |
|--|--|

Figure 3-3 - Water heater internal components IM 1250

3 - MAIN COMPONENTS



- 32 - -----
- 33 - Front door fixing tabs
- 34 - -----
- 35 - Ignition electrodes
- 36 - Gas burner sight glass
- 37 - Flue condensate collection collar drain pipe (connected to siphon)
- 38 - Burner
- 39 - Air/gas mixer
- 40 - Condensate drain siphon
- 41 - Safety valve drain pipe
- 42 - -----
- 43 - Condensate collection funnel
- 44 - -----
- 45 - High limit flue gas temperature fuse
- 46 - D.H.W. temperature sensor (1002)
- 47 - Manual air purging valve

Figure 3-4 - Water heater internal components IM 1250

4 - OPERATION

Key to figure 4-1:

- 1 = Water heater
- 2 = Combustion air intake
- 3 = Exhaust flue
- 4 = Exhaust flue temperature sensor (Par. 1006)
- 5 = High limit flue gas temperature fuse
- 6 = Sealed chamber
- 7 = Water collection tub
- 8 = Heat exchanger outlet temperature sensor 1 (Par. 1001)
- 9 = Heat exchanger outlet temperature sensor 2 (Par. 1005)
- 10 = Burner
- 11 = Heat exchanger
- 12 = Fan
- 13 = Cold water temperature sensor (Par. 1007)
- 14 = Condensate collection siphon
- 15 = Air/gas mixer
- 16 = Gas valve
- 17 = Safety valve
- 18 = -----
- 19 = Pump
- 20 = Non-return valve
- 21 = Water flow meter
- 22 = -----
- 23 = Cap
- 25 = Manual gas valve (optional)
- 26 = Gas inlet
- 27 = Cold water inlet
- 28 = Safety valve condensate drain funnel
- 29 = Hot water outlet
- 30 = Hot water sensor (Par. 1002)

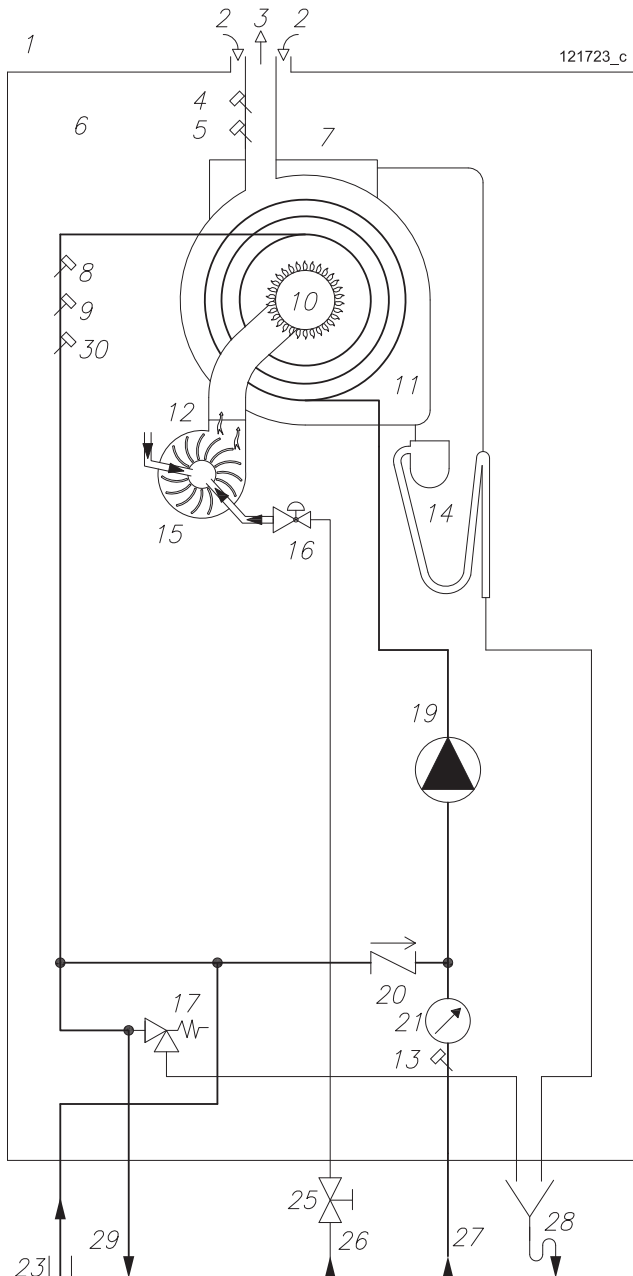


Figure 4-1 - Hydraulic layout

4 - OPERATION

4.1 - Operation and intended use of the appliance

This product is a condensing gas appliance, intended for the production of domestic hot water for civil use. Consider the water pressure drops as illustrated in figure 4-2.

The temperature of the domestic hot water can be adjusted by following the procedure in section 7.4.

☞ This appliance must be connected to a domestic hot water system which has adequately sized pipes to convey the correct water volume and all pipes should be fitted with good quality insulation to optimise the performance of the water heater.

☞ Before installation of the domestic cold and hot water services, the plant should be flushed thoroughly in order to remove any residues or impurities which could compromise the good working order of the appliance.

☞ This appliance is not suitable for installation outdoors. It must not be exposed to temperature below zero or temperature above 50°C.

☞ This appliance must be installed in a location which will not cause damage to objects or property in the event of water leaking from within the appliance or connections at the appliance.

☞ Check figure 5-1 concerning the minimum safety distances for installation and future maintenance.

Key to figure 4-2

A = Model IM 550
B = Model IM 750
C = Model IM 1250

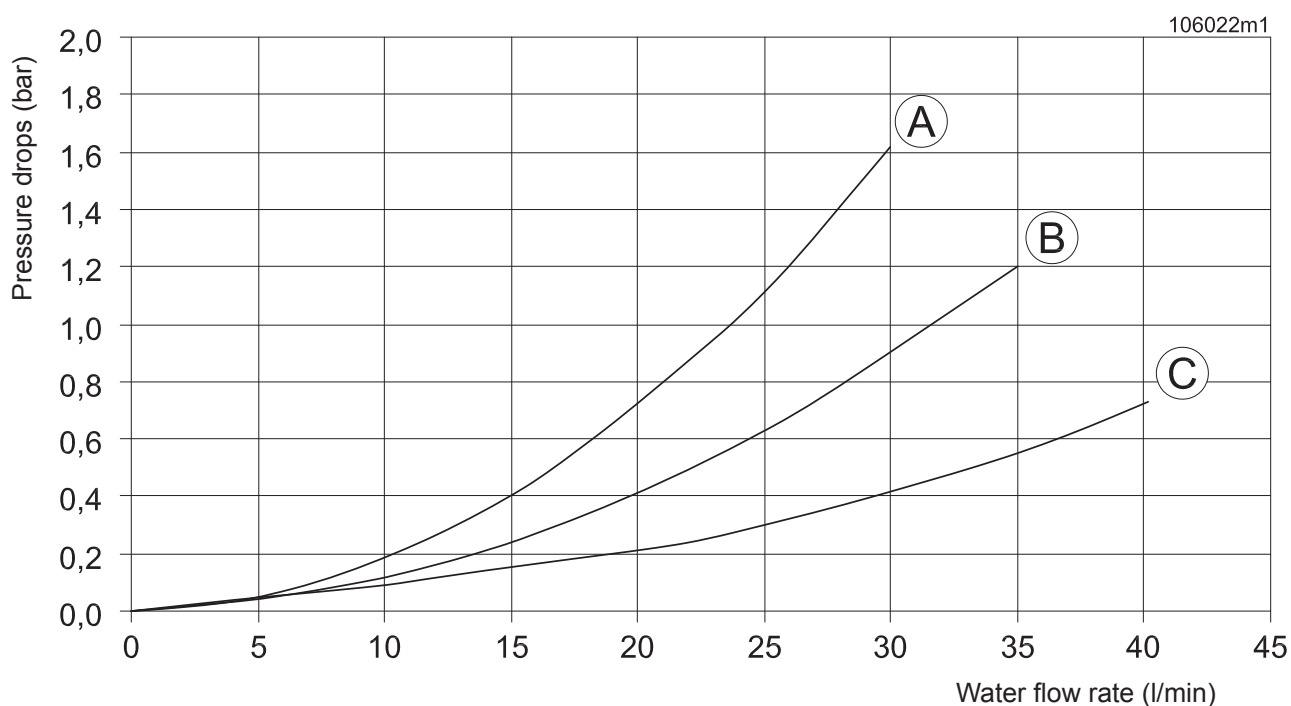


Figure 4-2 - Water pressure drops

4 - OPERATION

4.2 - Examples of installation

In figures 4-3, 4-4 and 4-5 you can see some examples of correct installation.

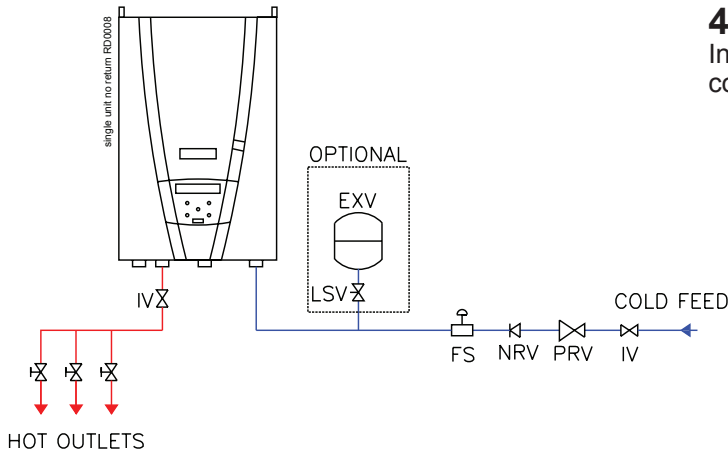


Figure 4-3 - Example of basic installation

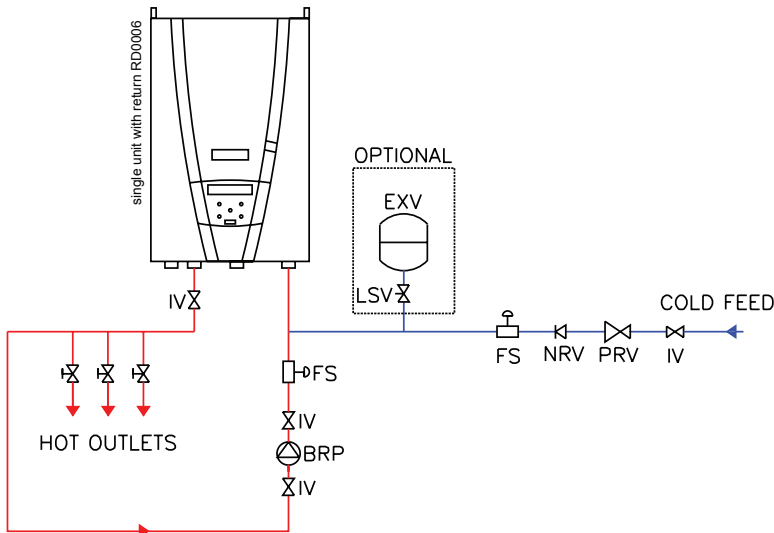


Figure 4-4 - Example of installation with return

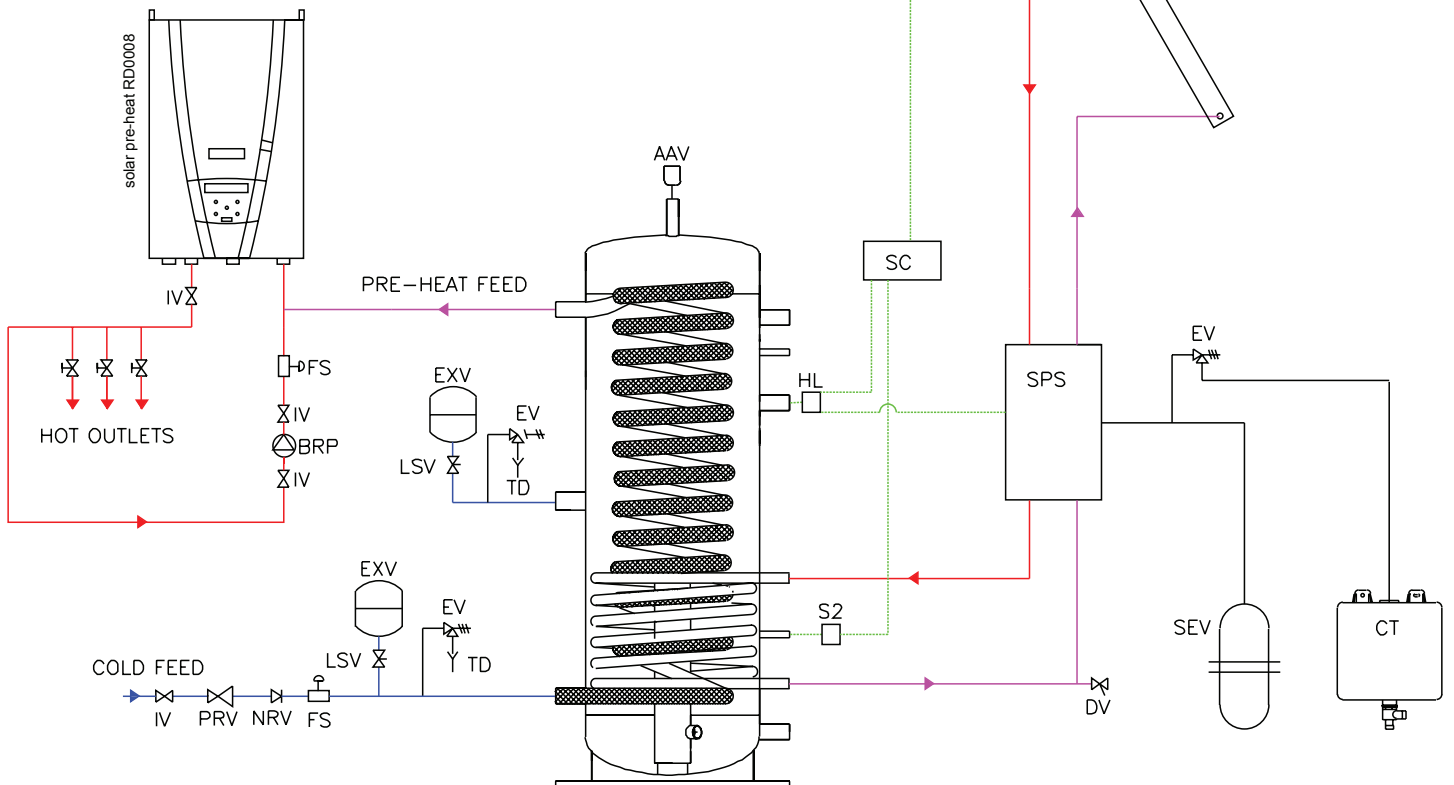


Figure 4-5 - Example of installation with solar pre-heat

Legend fig 4-3, 4-4 and 4-5

- IV = ISOLATION VALVE
- PRV = PRESSURE REDUCING VALVE
- NRV = NON RETURN VALVE
- EV = EXPANSION VALVE
- TD = TUNDISH
- LSV = LOCKSHIELD VALVE
- EXV = EXPANSION VESSEL
- BRP = BOILER RETURN PUMP
- FS = FLOW SETTER
- S1 = COLLECTOR SENSOR
- S2 = THERMAL STORE SENSOR
- SPS = SOLAR PUMP STATION
- SEV = SOLAR EXPANSION VESSEL
- CT = COLLECTION TANK
- SC = SOLAR CONTROLLER
- AAV = AUTOMATIC AIR VENT
- HL = HIGH LIMIT STAT

5 - INSTALLATION

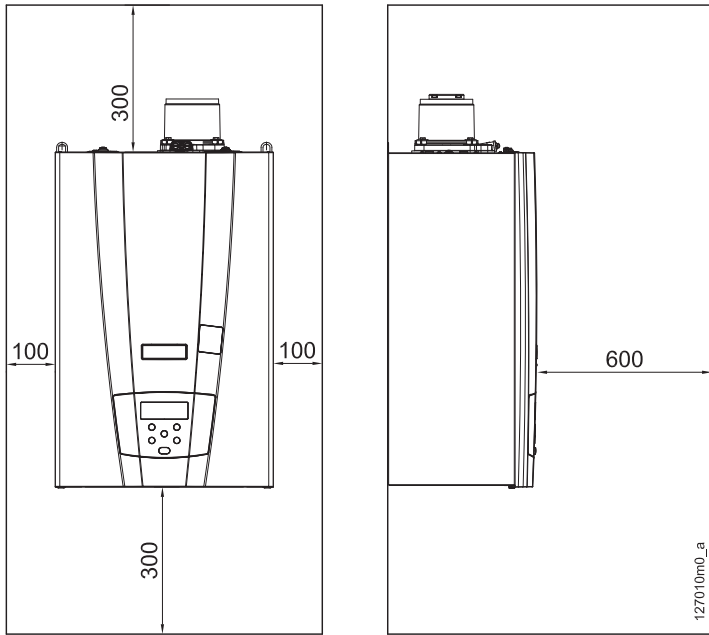
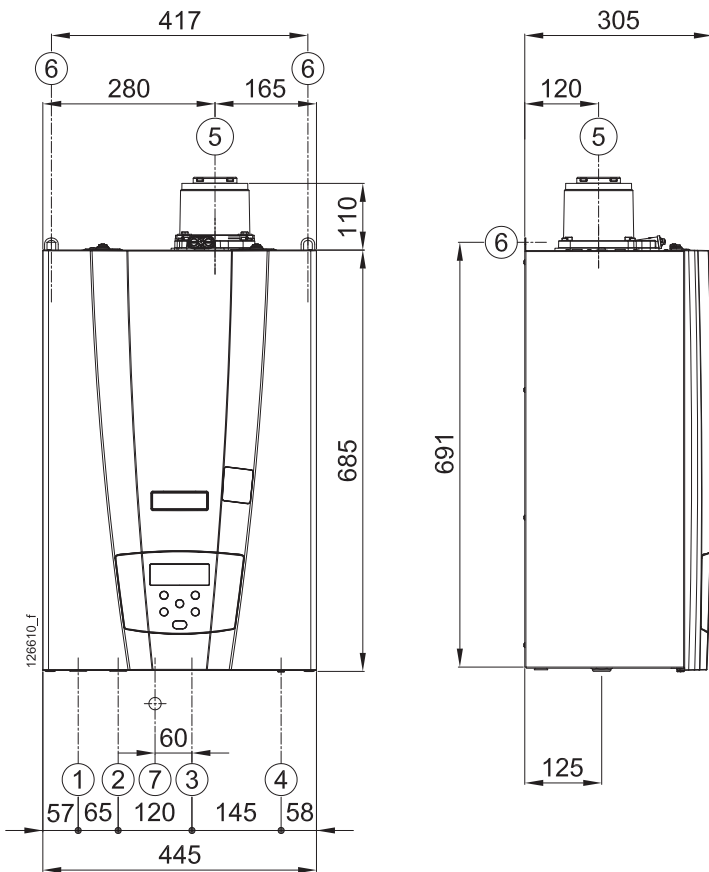


Figure 5-1 - Minimum distances for maintenance



- 1 - Cap (**NOT TO BE USED**)
- 2 - 1" D.H.W. outlet
- 3 - 3/4" gas inlet
- 4 - 3/4" cold water inlet
- 5 - Flue/Air intake
- 6 - Support attachments
- 7 - Ø20 condensate drain

Figure 5-2 - Dimensions and connections IM 550 and 750

5.1 - Opening the packaging

The appliance is supplied in a carton box.

5.2 - Dimensions and minimum clearances

It is necessary to leave free spaces around the appliance as illustrated in figure 5-1 both for installation and maintenance.

5.3 - Choosing suitable installation location



CAUTION !!! The appliance must be installed exclusively on a solid, vertical wall, which can support the weight.

The appliance must be installed in a suitable room taking into account the following factors:

- connection of the exhaust/air intake pipes;
- connection of the gas supply pipe;
- connection to the cold water pipe;
- connection of the domestic hot water pipe;
- electrical connection;
- connection of the condensate drain;

5.4 - Mounting the appliance

Refer to figure 5-4:

- 1.- place the paper template, provided with the appliance, against the wall;
- 2.- check that the template is plumb;
- 3.- mark the holes for the plugs and hydraulic fittings on the wall;
- 4.- remove the paper template;
- 5.- make the holes "A" and introduce the wall plugs "B";
- 6.- hang the appliance on the plugs "C"
- 7.- make hydraulic and gas connections;

5.5 - Domestic hot and cold water



CAUTION !!! water quality must be within $6,5 < \text{pH} < 8,5$ acidity value.



CAUTION !!! If water hardness exceeds 20°f (200 mg/l or 11,2°dH) a water softener must be installed on the incoming cold water supply.



CAUTION !!! If water heater works at temperature higher than 60°C and until 75°C, water hardness must be lower than 15°f (150 mg/l or 8,4°dH)



CAUTION !!! Water hardness must not be reduced lower than 5°f (50mg/l or 2,8°dH). Softened water than 5°f (50mg/l or 2,8°dH) is aggressive and can corrode the heat exchanger reducing life expectation.

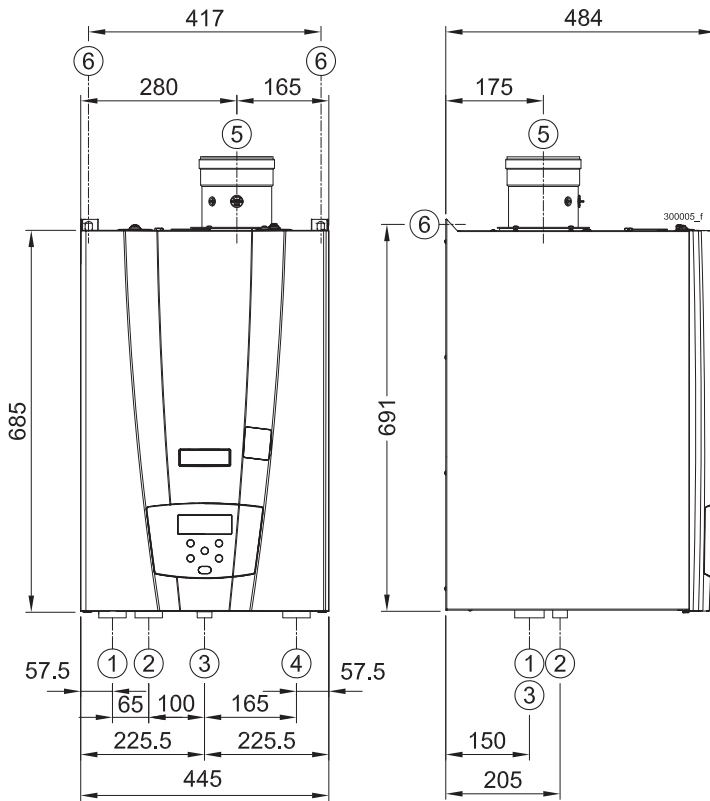


CAUTION !!! Install a filter with mesh no wider than 0.5 mm² in the domestic cold water inlet.



CAUTION !!! Impetus can supply water at up to 95°C (Hi limit setting) and 10bar (safety valve setting). The installer must ensure that the system can withstand this temperature and pressure or ensure extra safety devices are fitted to protect the system, such as a mixing valve on the outlet and additional Pressure reducing valve.

5 - INSTALLATION



- 1 - Cap (**NOT TO BE USED**)
- 2 - 1" D.H.W. outlet
- 3 - 3/4" gas inlet
- 4 - 1" cold water inlet
- 5 - Flue/Air intake
- 6 - Support attachments

Figure 5-3 - Dimensions and connections IM 1250

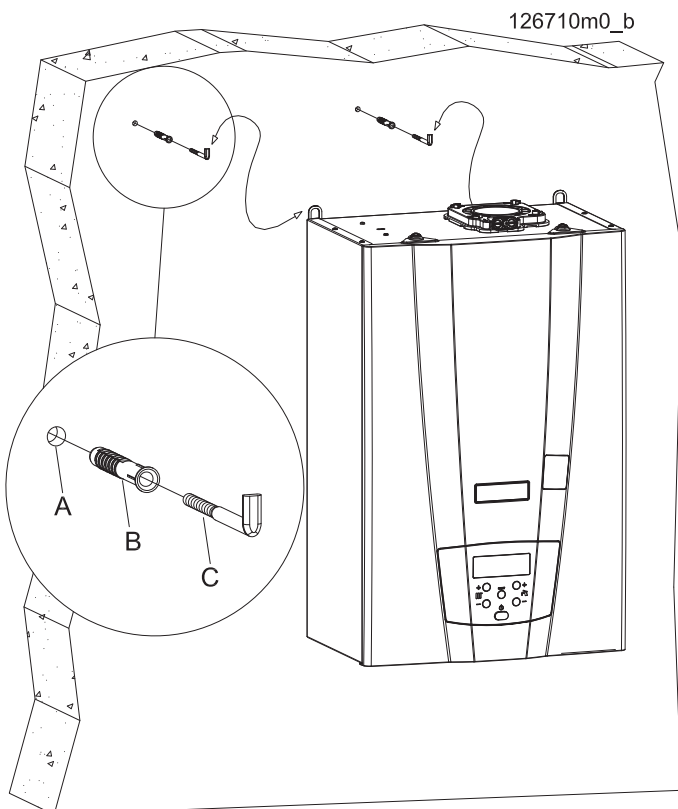


Figure 5-4 - Appliance wall fixing detail

In figures 5-2 and 5-3 the service and maintenance valves are not shown. Hydraulic and gas connections should be fitted with isolation valves to accommodate service and maintenance works.

5.6 - Gas



CAUTION !!! It is prohibited to operate the appliance with the incorrect gas type. Check the data label on the appliance for Natural gas or Propane gas to ensure that the correct appliance is being installed.



CAUTION !!! Check that the gas and supply pressure are those for which the appliance has been adjusted.

Two situations are possible:

- A - the gas and supply pressure correspond to the adjustment of the appliance. In this case, it can be connected;
- B - the gas and supply pressure do not correspond to the adjustment of the appliance. In this case, the appliance must be converted to the type of gas and supply pressure corresponding to those of the supply available.

The appliance is provided with the relevant gas conversion kit.

- ☞ Before the gas appliance is installed it is essential to ensure that the internal gas pipe is clean and free of metal or plastic filings or any other solid pieces or liquids;
- ☞ A manual shut-off valve must be installed on the gas supply pipe adjacent to the appliance;



CAUTION !!! Before supplying gas to the appliance, it is essential that the gas pipes have been pressure tested in accordance with the most recent applicable gas standards.

- ☞ to prevent damage to the appliance gas valve, the supply pressure should not exceed 50 mbar under any circumstances;
- ☞ if the gas pipe-work must be tested in excess of 50 mbar, ensure that the appliance is fully isolated.

Figures 5-2 and 5-3 shows the position and the diameter of the gas connection on the appliance. Ensure that the gas line is adequately sized to provide the maximum volume flow rate at the required minimum pressure.

5.7 - Condensate drain

The condensate drain is located on the right hand side of the boiler. It is fitted with a 1/2" PVC tee and union, this should be connected to an appropriate condensate drain, sloping continuously away from the boiler at an angle of at least 3° (50mm per metre). The Water Resources Act requires that trade effluent is discharged to municipal sewers between pH 6.5 and 10.0. If it is determined that these levels cannot be achieved, an in-line condensate neutralisation kit is available from Lochinvar Limited. This unit is capable of neutralising 4000 litres of condensate to a pH of 7.0 before releasing it to a drain.

5 - INSTALLATION

5.8 - Unvented system arrangement



CAUTION !!! It is the law that unvented hot water systems be installed by an approved installer.

If the Impetus is to be used in an unvented arrangement, the system should follow the guidance given in BS6700 and must comply with the Building Regulations 1992: Part G3, in England and Wales, P5 in Northern Ireland and P3 in Scotland. A kit of components that have been suitably sized for the unvented operation of the appliance is available from Lochinvar Limited.

5.9 - Safety pressure relief valve

The appliance is protected against overpressures by a safety valve rated to 10 bar (see figures 3-1 and 3-4 detail "28"). The safety valve drain is conveyed on the same pipe "9" as per figure 5-5.



CAUTION !!! If not connected to the drain, whenever the safety valve should intervene, it could cause damage to persons, animals or objects.

5.10 - Hydraulic and gas connections



CAUTION !!! The example in figure 5-5 is a concept drawing only. It is up to the system designer to determine the necessary components, including additional equipment which in the judgement of the designer are appropriate, in order to properly size, configure and design that system and to ensure compliance with local and national code.

Key of figure 5-5:

- 1 = Water heater
- 2 = Gas manual valve (EN 331 type-approved) (Field supplied)
- 3 = Water isolation valve / Flow rate selector (Field supplied)
- 4 = Water drain valve (Field supplied)
- 5 = Condensate drain (Field supplied)
- 6 = Gas inlet
- 7 = Cold water supply
- 8 = Domestic hot water
- 9 = Condensate drain pipe
- 10 = Water isolation valve (Field supplied)
- 11 = Filter (Field supplied)

5.11 - Secondary return

To comply with legionella prevention legislation/Guidance hot water should flow from any outlet within 1 minute, if this cannot be achieved then a secondary return system must be fitted.

When using an external recirculation pump make sure that this is a specific hot water circulation pump. The flow must exceed the minimum water flow. Prevent for running the circulation pump 24/7 by using a timer and/or thermostat or use an on-demand recirculation system activated by push button or motion sensor.

To ensure the water heater operates correctly with a secondary return pump fitted, the following procedure should be followed:

- Install the appliance as shown in figure 5-5;
- Ensure the secondary pump is turned off;
- Open a tap to remove all the air from the system;
- Turn on the water heater and wait for hot water to flow from the tap and the temperature to stabilise;
- Close the tap;
- After 50 seconds check that the tap icon has stopped flashing;
- If the icon is still flashing reduce the flow below 2litre/min using the flow restrictor (supplied and fitted by the installer) shown in figure 4-4 detail "FS";
- The icon should now stop.

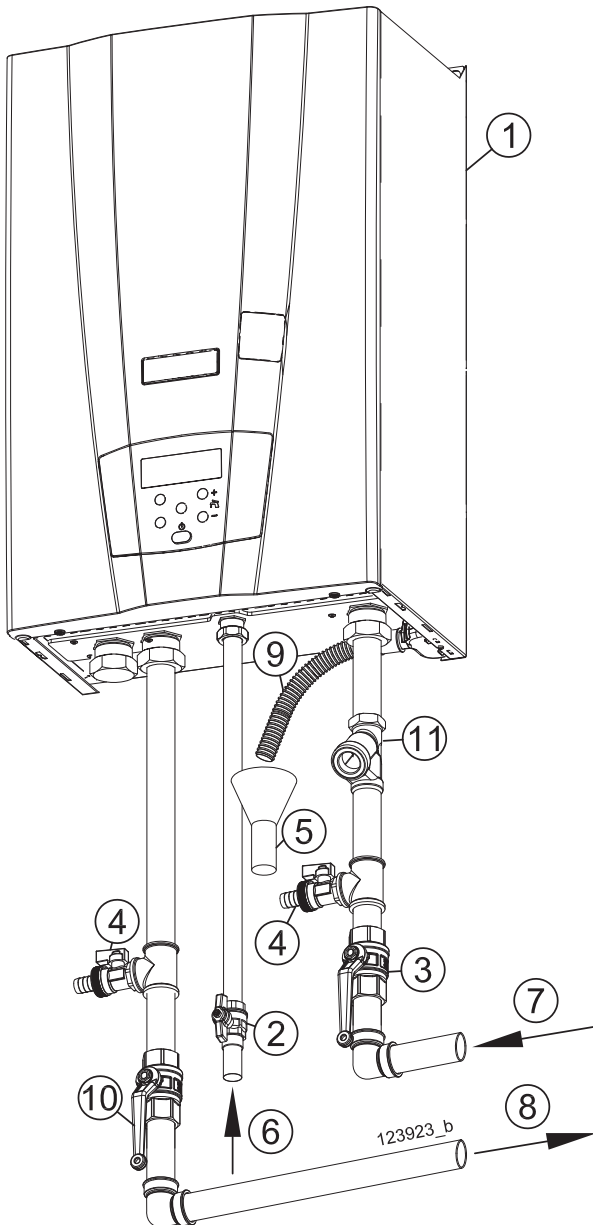


Figure 5-5 - Typical piping

5 - INSTALLATION

5.12 - Electrical connections

Wiring external to the equipment must be installed in accordance with the I.E.E. Regulations and any local regulations that apply.



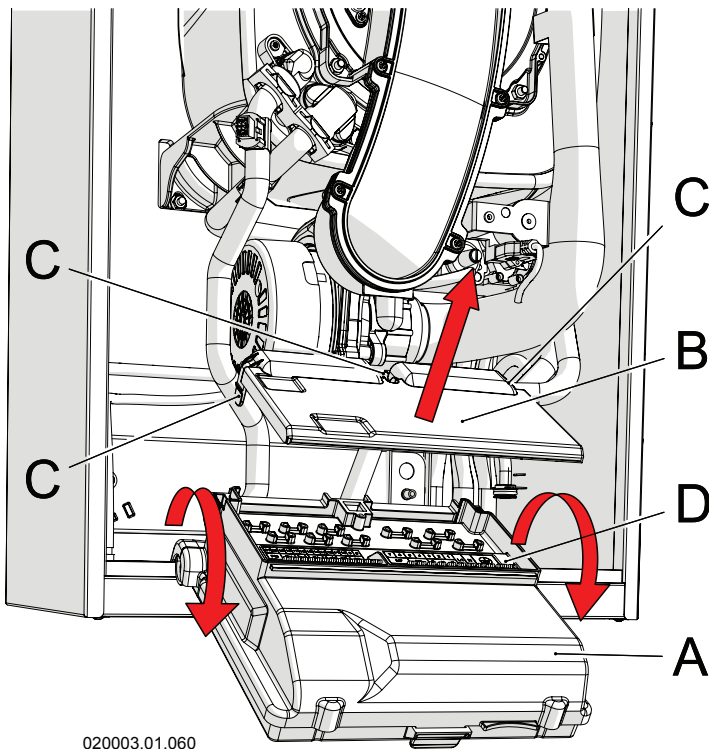
CAUTION !!! the appliance is not protected against the effects caused by lightning strikes.



WARNING !!! This appliance must be earthed.



WARNING !!! A suitably competent person must check wiring. Normal supply required is 230 volts AC, single phase, 50 hz. An isolator with a contact separation of at least 3mm in all poles should be sited close to the equipment and must only serve that equipment. The double pole switch must be readily accessible under all conditions. Phase and Neutral must not be switched.



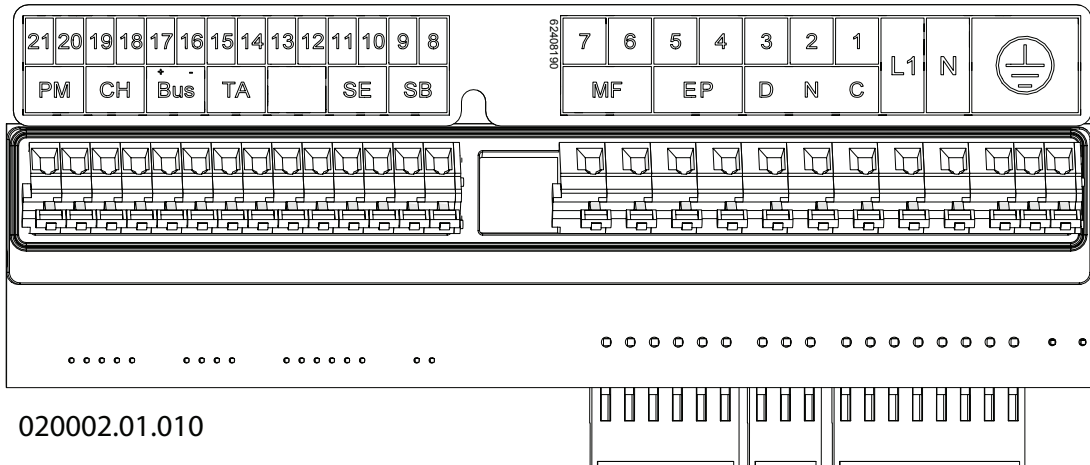
020003.01.060

Key for figure 5-6

- A = Electrical box;
- B = Junction box;
- C = Connections lid closing flaps;
- D = Connection terminals;

Key for electric terminals

- PM = Not used
- CH = Not used
- BUS = Not used
- TA = Not used
- SE = Not used
- SB = Not used
- MF = Not used
- EP = Not used
- DNC = Not used
- L1 = Power supply line
- N = Power supply neutral
- EARTH SYMBOL = Earth contacts



020002.01.010

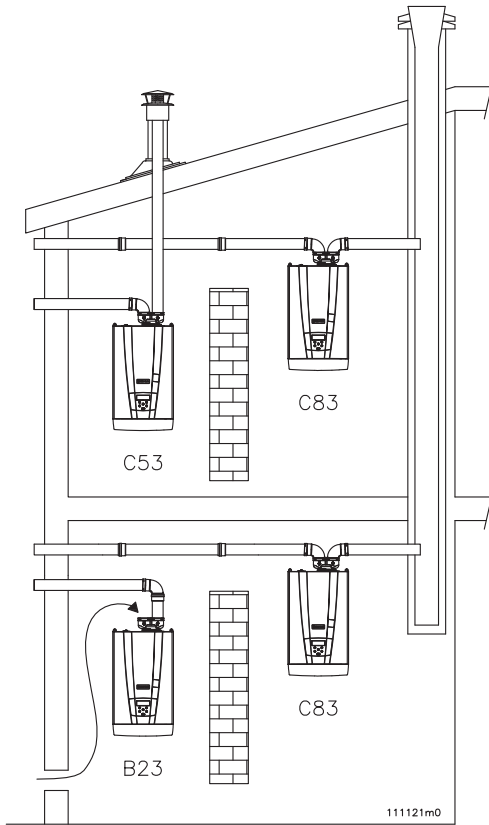
Figure 5-6 - Junction box terminals

5.12.1 - Power supply cable connection

Proceed as follows to connect the power supply cable (refer to figure 5-6):

- 1.- use a three-polar cable with double isolation, with minimum section of 1,5 mm²
- 2.- remove the casing from the appliance following instructions in section 8.2;
- 3.- rotate the panel "A" towards the front of the appliance;
- 4.- operate on the flaps "C" and open the lid "B" as indicated by the arrow;
- 5.- lay the power supply cable through the fairlead in proximity of the contacts "L1", "N" and earth symbol;
- 6.- strip the cable, making sure to keep the earth cable (yellow green) 20 mm longer than the other two;
- 7.- connect the yellow-green cable to the earth terminals (see symbol)
- 8.- connect the brown cable (Phase) to the terminal L1
- 9.- connect the blue cable (Neutral) to the terminal N.

5.13 - Flue systems



CAUTION !!! The relevant national and local regulations must be strictly adhered to when installing the exhaust flue and combustion air pipes.



CAUTION !!! The exhaust flue gases from the appliance can reach 90°C in certain conditions. Therefore, the plastic flue components must be capable of withstanding high temperatures and they must be approved for these specific appliance.



CAUTION!!! This appliance is the “condensing” type. Use AISI 316 stainless steel materials or polypropylene materials for flues, to prevent corrossions due to the acidity of the condensate. Regarding this, remember that appliances of this type must have exhaust and intake pipes supplied by the manufacturer of the appliance itself. Other types of pipes, if used, must be type-approved for this intended use.

The types of exhaust for which the appliance is approved are given on the technical features table at the end of the manual under the “Type” heading and on the rating plate affixed to the appliance, also under the “Type” heading. The water heaters are approved for installations of type B23, C13, C33, C43, C53, C63 and C83.

This manual discusses installation types C13 and C33 in detail. If the water heater has to function in accordance with B23, C43, C53, C63 or C83, you can obtain more information by contacting Lochinvar.

The symbols used to define type of exhaust is given below:

- B23, air for combustion is drawn from the boiler room.



CAUTION !!! If the appliance is installed with the B23 type exhaust, it will take air for the combustion from the surrounding environment. Therefore, all precautions must be taken regarding ventilation of the rooms, which are prescribed by the national and/or local Standards.

- C13, concentric in vertical wall
- C33, concentric at the roof
- C43, separate with exhaust in a common chimney, combined with air intake in common channel.



CAUTION !!! Appliances installed in type C43 must only be connected to natural draught chimney.

- C53, separate with exhaust on roof and air intake on wall or however, in two potentially different pressure points.
- C63, the appliance can be fitted to type-approved exhaust and air intake pipes of other brands.



CAUTION !!! With the C63 type exhaust, the condensate coming from the chimney cannot be conveyed into the appliance.

- C83, separated with wall air intake or another point independent from the intakes of other appliances and flue exhaust in a common chimney.

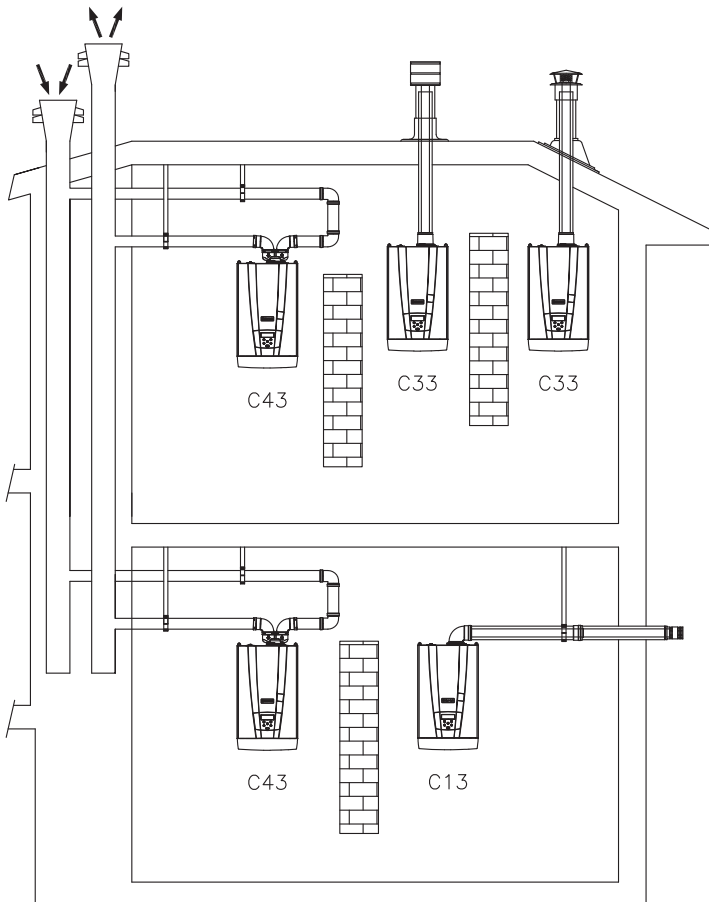


Figure 5-7 - Exhaust/intake systems

5 - INSTALLATION

During operation, especially in winter, a plume will be visible as the water vapour in the exhaust gases come into contact with the outside air. This plume should not cause any concern, however the installer should discuss the matter with the customer prior to commencement of the installation in case the aesthetical impact of this plume might cause a problem.

5.13.1 - Exhaust flue and air intake type B23

In the case of B23 type air intake/flue exhaust systems, it is indispensable that the rooms in which the appliances are installed have at least as much air as that required by combustion and ventilation of the room. It is therefore good practice to remember that the combustion of 1 m³ of gas requires 11 m³ of air. The natural flow of air must take place directly through permanent openings made in the outside walls of the room to be ventilated; however away from sources of pollution, such as: vents of dubious origin, airborne industrial exhaust etc.

The ventilation openings must meet the following requirements:

- ☞ If the water heater is to be installed as an open system, it must meet the locally applicable directives and ventilation regulations for open water heaters;
- ☞ be realised in a way that the opening inlets both inside and outside the wall cannot be blocked;
- ☞ be protected for example with grids, metal meshes, etc. The net section of the passage must not be reduced by these elements;
- ☞ be situated at a height more or less of the floor and such not to disturb the correct operation of the combustion products exhaust. Where this position is not possible, the section of the ventilation openings must be increased by at least 50%.

The flow of air can also be obtained from an adjacent room as long as:

- ☞ it has direct ventilation, in compliance with the previous points;
- ☞ only this gas appliance is installed in the room to be ventilated;
- ☞ the adjacent room is not a bedroom;
- ☞ the adjacent room is not a common part of the building;
- ☞ the adjacent room is not an environment with fire hazard, such as a hangars, garages, combustible materials warehouse, etc.;
- ☞ the adjacent room does not have a negative pressure with respect to the room to be ventilated due to reverse draught (which can be caused by the presence in the room of another appliance operating with any type of fuel, a fireplace and any other intake device for which an adequate air intake has not been envisioned);
- ☞ the flow of air from the adjacent room to that to be ventilated can take place freely through permanent openings with total net section not less than that indicated at the start of this section.

In rooms where gas appliances are installed, it may become necessary, as well as the input of combustion agent air, also to evacuate the stale air, with resulting release of an additional equal amount of clean air.

If the stale air is evacuated with the aid of a mechanical tool (electric fan) the following conditions must be respected:

- a) If there is a non used common exhaust pipe in the room, it must be capped;
- b) The ventilation opening of the room in which the gas appliance is installed must be increased depending on the maximum air flow rate required at the electric fan.
- c) The action of the electric fan must not affect the correct evacuation of the combustion products. To this end, that stated above must be verified by draft testing, running the fan or extractor hood at its maximum power and the gas appliance at the maximum and minimum power.

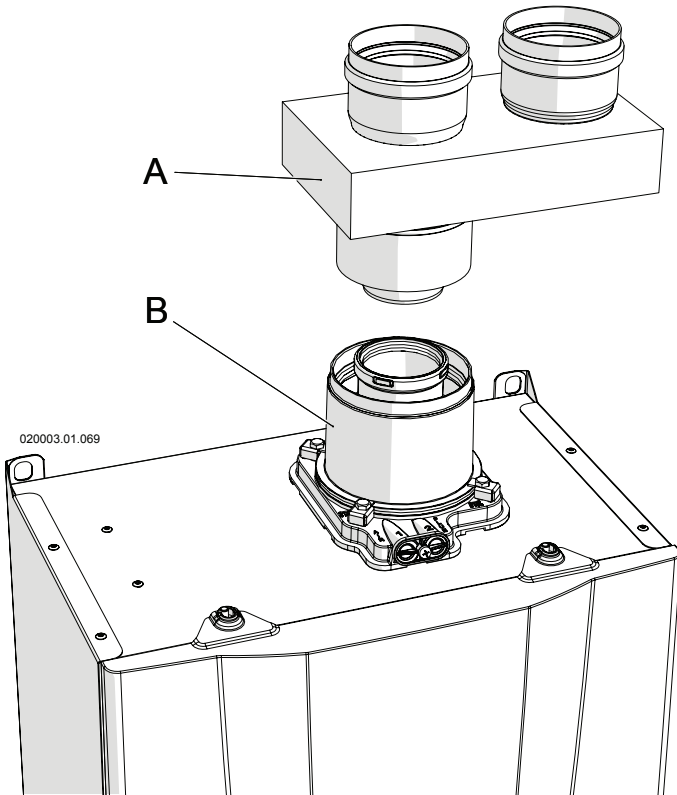


Figure 5-8 - Installation of the “80/80PP twin-pipe” System on IM 550 and 750

5.13.2 - “Twin-pipe 80/80PP” System (polypropylene) (Type C13; C33) IM 550 and 750

The appliance is supplied as per standard with fittings for the connection of the flue/air intake. To connect it to a “80/80PP twin-pipe” system, the relevant kit must be installed as in figure 5-8.

Fitting “A” can rotate freely by 360°, guaranteeing optimum installation versatility.

☞ On the exhaust flue side, it is mandatory to install polypropylene plastic pipes or AISI 316L stainless steel pipes which are resistant to damage from condensation.

☞ Take particular care with the installation of pipes in the part that passes through the wall to the outside. The normal maintenance operations must always be possible, therefore install the pipes in a sheath so that they can slide out.

☞ The horizontal exhaust flue pipes must always have an inclination of 2% with the fall back towards the appliances as opposed to the wall terminal.

☞ The appliance is already set-up to collect the condensate, which must be fitted to a drain pipe (see section 5.7).



CAUTION !!! This condensate drain is designed to make all liquid produced flow from a single appliance. If several appliances are installed, each one must envision its own condensate drain.

The flue/air intake system can be extended up to a maximum distance as indicated in section 9. Every 90° bend has a loss equivalent to value on section 9. Every 45° bend has a loss equivalent to value on section 9.



CAUTION !!! The temperature of the exhaust pipe can reach 90°C during operations. If it must pass through a wall that is sensitive to these temperatures, insert a protective heat-isolation sheath.



CAUTION !!! Mechanically secure the joints between the various component elements of the exhaust and air intake pipe, through the use of fixing systems or equivalent systems.



CAUTION !!! If the air intake and flue terminals are positioned in the same wall, they must remain at a larger distance than 1 metre.



CAUTION !!! The exhaust and intake pipes must be appropriately sustained via rigid brackets positioned no more than 1 metre from each other. The brackets must be fixed to rigid walls that can support the weight of the pipe itself.

5.13.3 - "Twin-pipe 80/80PP" System (polypropylene) (Type C13; C33) IM 1250

The appliance is supplied as per standard without fittings for the connection of the flue/air intake. To connect it to a "80/80PP twin-pipe" system, the relevant kit must be requested and must be installed as in figure 5-9. Fitting "A" can rotate freely by 360°, guaranteeing optimum installation versatility.

- ☞ On the exhaust flue side, it is mandatory to install polypropylene plastic pipes or AISI 316L stainless steel pipes which are resistant to damage from condensation.
- ☞ Take particular care with the installation of pipes in the part that passes through the wall to the outside. The normal maintenance operations must always be possible, therefore install the pipes in a sheath so that they can be slid out.
- ☞ The horizontal exhaust flue pipes must always have an inclination of 2% with the fall back towards the appliance as opposed to the wall terminal.
- ☞ The appliance is already set-up to collect the condensate, which must be fitted to a drain pipe (see section 5.7).



CAUTION !!! This condensate drain is designed to make all liquid produced flow from a single appliance. If several appliances are installed, each one must envision its own condensate drain.

The flue/air intake system can be extended up to a maximum distance as indicated in section 9. Every 90° bend has a loss equivalent to value on section 9. Every 45° bend has a loss equivalent to value on section 9.



CAUTION !!! The temperature of the exhaust pipe can reach 90°C during operations. If it must pass through a wall that is sensitive to these temperatures, insert a protective heat-isolation sheath.



CAUTION !!! Mechanically secure the joints between the various component elements of the exhaust and air intake pipe, through the use of fixing systems or equivalent systems.



CAUTION !!! If the air intake and flue terminals are positioned in the same wall, they must remain at a larger distance than 1 metre.



CAUTION !!! The exhaust and intake pipes must be appropriately sustained via rigid brackets positioned no more than 1 metre from each other. The brackets must be fixed to rigid walls that can support the weight of the pipe itself.

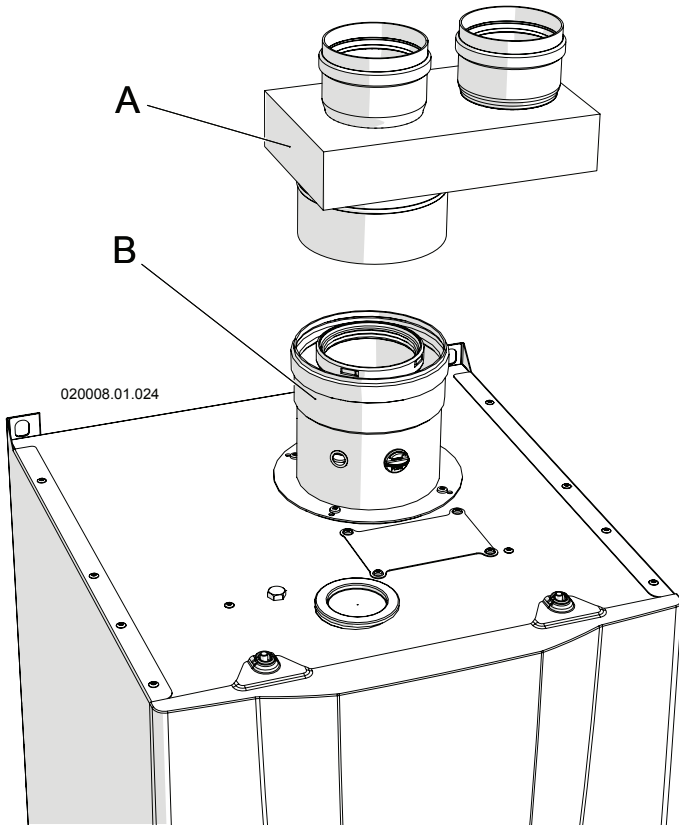


Figure 5-9 - Installation of the "80/80PP twin-pipe" System on IM 1250

5 - INSTALLATION

Subject	Art. No.	Description	
Twin-pipe adaptor (at appliance) Ø 60/100mm to 2x Ø 80mm	Art. No.	IM 550, IM 750	LV312 273 (1)
Twin-pipe adaptor (at appliance) Ø 80/125mm to 2x Ø 80mm	Art. No.	IM 1250	LV312 209 (1)
Adaptor (to roof or wall terminal) 2x Ø 80mm to Ø 80/125mm	Art. No.	IM 550, IM 750, IM 1250	LV307 177 (1)
Roof Flue terminal	Art. No.	IM 550, IM 750, IM 1250	LV310 753 *
Wall flue terminal	Art. No.	IM 550, IM 750, IM 1250	LV310 757 *
Pipe material	Manufacturer	Muelink & Grol	
	Construction	Parallel piping	
	Flue gas discharge	PP polypropylene with lipped sealing ring	
	Air supply	PP polypropylene with lipped sealing ring	
Pipe diameters	Flue gas discharge	IM 550, IM 750, IM 1250	Ø 80 mm
	Air supply		Ø 80 mm
(1) = No other adaptors permitted. Use this item number to order from supplier, manufacturer or wholesaler			

* 80/125mm concentric

Figure 5-10 - Parallel flue specifications C13/33 (2x 80mm PP)

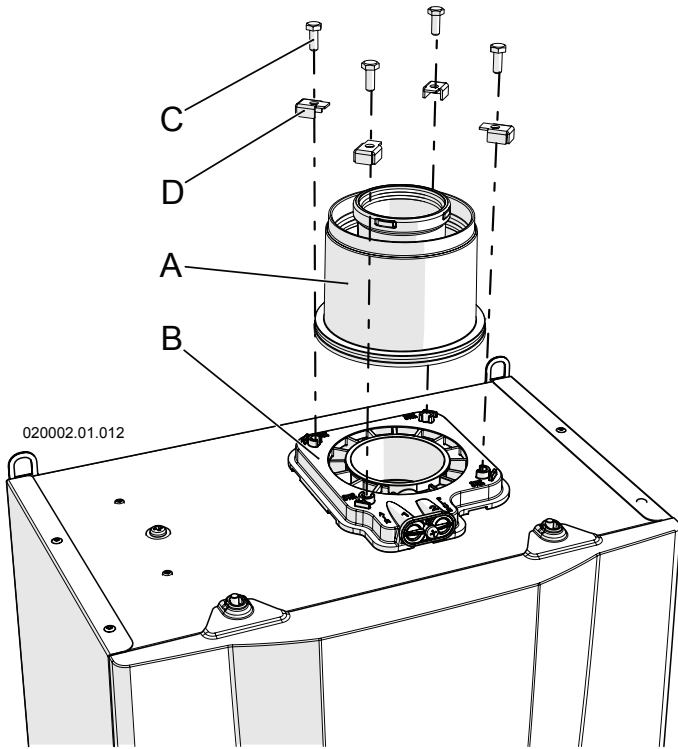


Figure 5-11 - Installation of vertical concentric system on IM 550 and 750

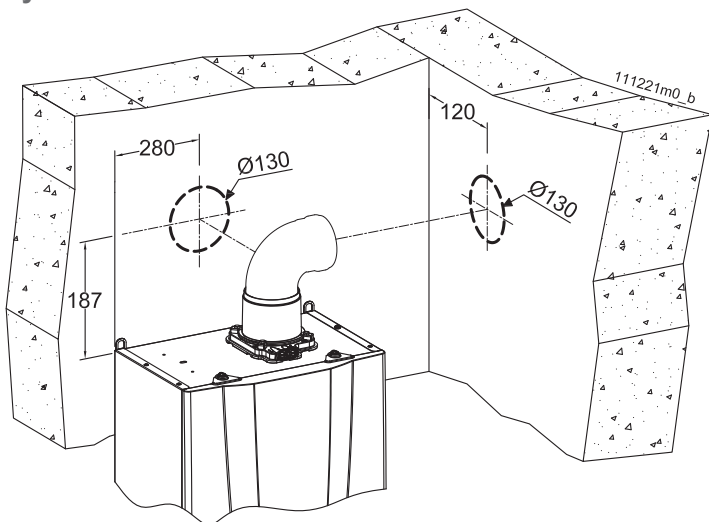


Figure 5-12 - Centre to centre distances for concentric drain pre-installation

5.13.4 - "60/100PP vertical concentric" System (polypropylene) (Type C13; C33) IM 550 and 750

The appliance is supplied as per standard with fittings for the connection of the flue/air intake vertical 60/100 system.



CAUTION !!! The concentric exhaust and intake pipes must be appropriately sustained via rigid brackets positioned no more than 1 metre from each other. The brackets must be fixed to rigid walls that can support the weight of the pipe itself.



CAUTION !!! Once these operations have been performed, check that the exhaust/intake terminal is exposed to the outdoors with the tolerances given in figure 5-19.

Take particular care with the installation of pipes in the part that passes through the wall to the outside. The normal maintenance operations must always be possible, therefore install the pipes in a sheath so that they can slide out.

The horizontal exhaust flue pipes must always have an inclination of 2% with the fall back towards the appliances as opposed to the wall terminal.

The combined exhaust/air intake pipe can be extended up to a maximum distance as indicated in the table in section 9 at the end of the manual. Every 90° bend has a loss equivalent to value on section 9. Every 45° bend has a loss equivalent to value on section 9.



CAUTION !!! Mechanically secure the joints between the various component elements of the exhaust and air intake pipe, through the use of fixing systems or equivalent systems. See figure 5-13.

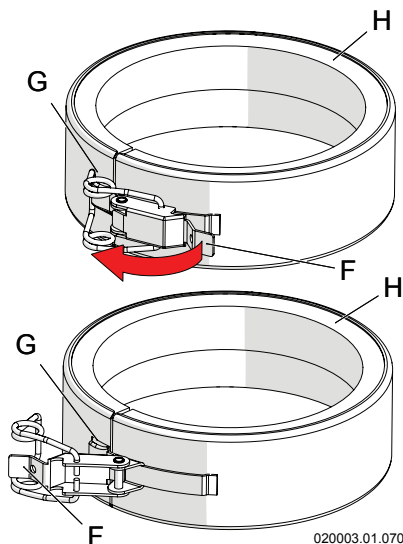


Figure 5-13 - Supplied figure Clamping + Strip

5 - INSTALLATION

Subject		Description	
Wall flue terminal	Art. No.	IM 550, IM 750	LV312 247 (1)
	Manufacturer	Muelink & Grol	
	Type	Coax line Plus	
Pipe material	Construction	Concentric	
	Flue gas discharge	PP polypropylene with lipped sealing ring	
	Air supply	Thin-walled galvanized sheet steel	
Pipe diameters	Flue gas discharge	IM 550, IM 750	Ø 60 mm
	Air supply		Ø 100 mm
(1) = No other wall flue terminal is permitted. Use this item number to order the wall terminal from supplier, manufacturer or wholesaler			

Figure 5-14 - Concentric flue specifications C13 (60/100mm PP)

Subject		Description	
Roof flue terminal	Art. No.	IM 550, IM 750	LV312 246 (1)
	Manufacturer	Muelink & Grol	
	Type	Coax line Plus	
Pipe material	Construction	Concentric	
	Flue gas discharge	PP polypropylene with lipped sealing ring	
	Air supply	Thin-walled galvanized sheet steel	
Pipe diameters	Flue gas discharge	IM 550, IM 750	Ø 60 mm
	Air supply		Ø 100 mm
(1) = No other wall flue terminal is permitted. Use this item number to order the wall terminal from supplier, manufacturer or wholesaler			

Figure 5-15 - Concentric flue specifications C33 (60/100mm PP)

5 - INSTALLATION

5.13.5 - "80/125PP vertical concentric" System (polypropylene) (Type C13; C33) IM 1250

The appliance is supplied as per standard with fittings for the connection of the flue/air intake vertical 80/125 system.



CAUTION !!! The concentric exhaust and intake pipes must be appropriately sustained via rigid brackets positioned no more than 1 metre from each other. The brackets must be fixed to rigid walls that can support the weight of the pipe itself.

☞ Take particular care with the installation of pipes in the part that passes through the wall to the outside. Normal maintenance operations must always be possible, therefore install the pipes in a sheath so that they can slide out.

☞ The horizontal exhaust flue pipes must always have an inclination of 2% with the fall back towards the appliances as opposed to the wall terminal.

☞ The combined exhaust/air intake pipe can be extended up to a maximum distance as indicated in the table in section 9 at the end of the manual. Every 90° bend has a loss equivalent to value on section 9. Every 45° bend has a loss equivalent to value on section 9.

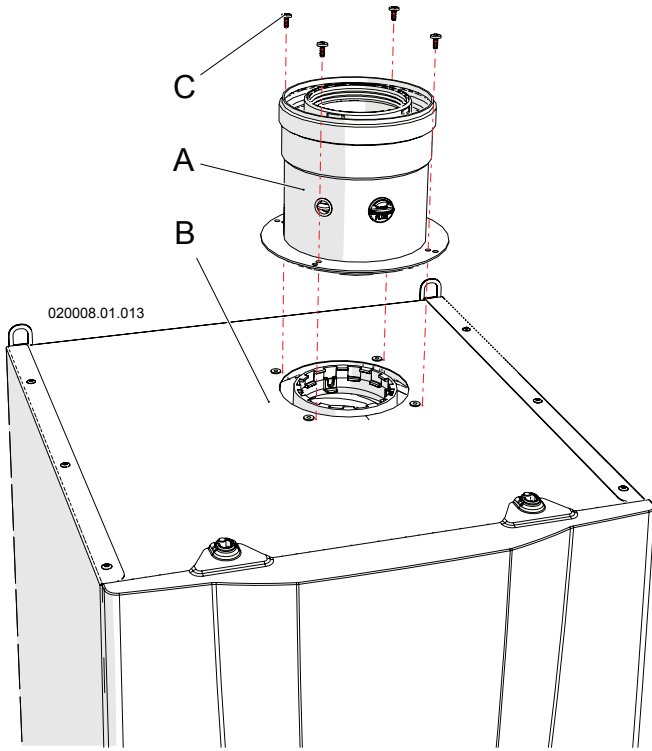


Figure 5-16 - Installation of vertical concentric system on IM 1250

Subject		Description	
Wall flue terminal	Art. No.	IM 1250	LV310 757 (1)
	Manufacturer	Muelink & Grol	
	Type	Coax line Plus	
Pipe material	Construction	Concentric	
	Flue gas discharge	PP polypropylene with lipped sealing ring	
	Air supply	Thin-walled galvanized sheet steel	
Pipe diameters	Flue gas discharge	IM 1250	Ø 80 mm
	Air supply		Ø 125 mm

(1) = No other wall flue terminal is permitted. Use this item number to order the wall terminal from supplier, manufacturer or wholesaler

Figure 5-17 - Concentric flue specifications C13 (80/125mm PP)

Subject		Description	
Roof flue terminal	Art. No.	IM 1250	LV310 753 (1)
	Manufacturer	Muelink & Grol	
	Type	Coax line Plus	
Pipe material	Construction	Concentric	
	Flue gas discharge	PP polypropylene with lipped sealing ring	
	Air supply	Thin-walled galvanized sheet steel	
Pipe diameters	Flue gas discharge	IM 1250	Ø 80 mm
	Air supply		Ø 125 mm

(1) = No other wall flue terminal is permitted. Use this item number to order the wall terminal from supplier, manufacturer or wholesaler

Figure 5-18 - Concentric flue specifications C33 (80/125mm PP)

5 - INSTALLATION

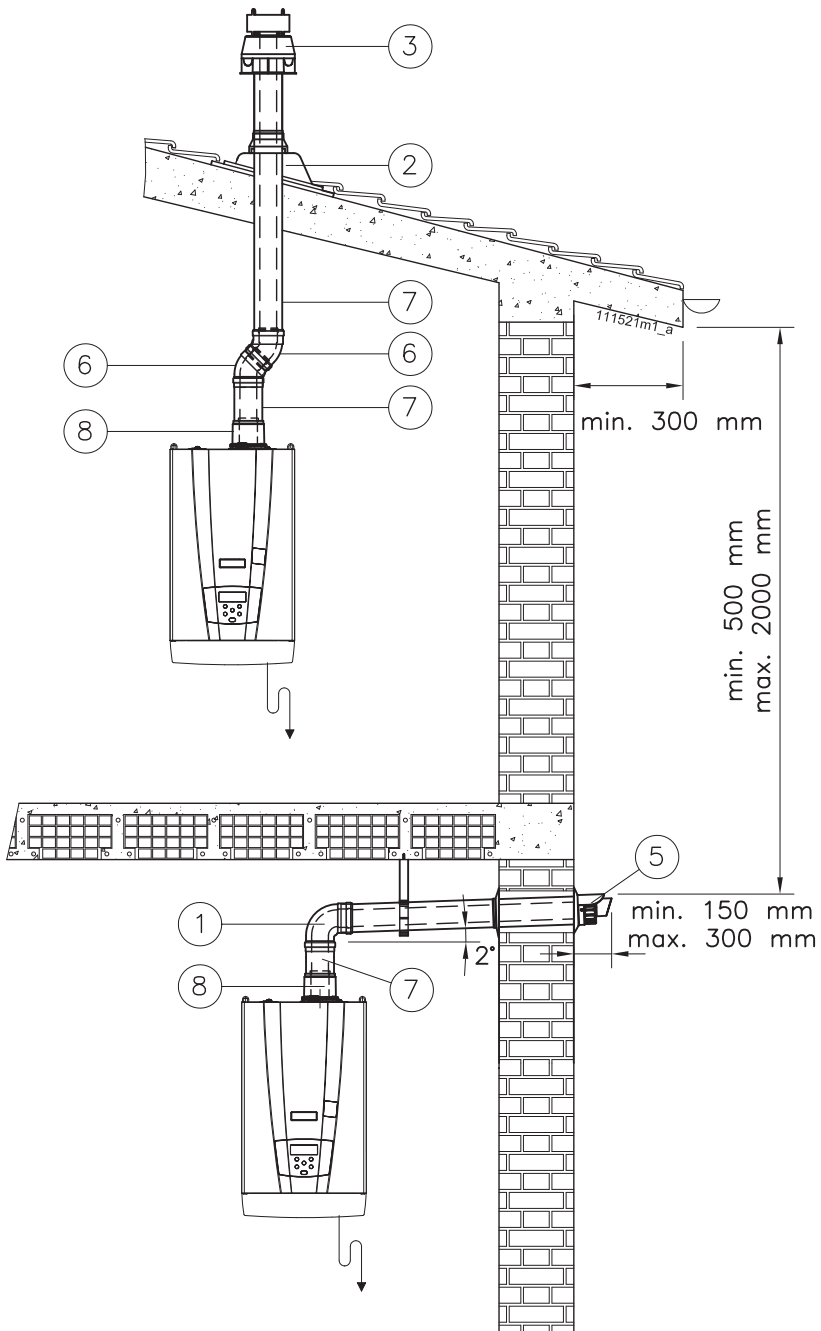


Figure 5-19 - Examples of concentric pipe installations

6 - OPERATING

6.1 - Operating

Before starting the appliance up, it is necessary to carry out the following.

6.1.1 - User instructions

Instruct the user regarding correct use of the appliance and the plant in general. In particular:

- ☞ Give the installation and user manual and all documentation contained in the packaging to the user.
- ☞ Instruct the user concerning the special measures for the exhaust of burned gases, informing them that they must not be modified.
- ☞ Inform the user regarding the correct adjustment of the temperatures settings.

6.1.2 - Filling the condensate drain siphon

The siphon found inside the appliance (see figures 3-2 and 3-4 detail "40"), must be filled with water to create the water head able to prevent the exhaust gas escaping from pipe "9" in figure 5-5.

Proceed as follows to do this:

(refer to figure 6-1 on IM 550 and 750 or figure 6-2 on IM 1250)

- 1.- loosen the screw "E";
- 2.- remove the lid "D" and the gaskets "C";
- 3.- introduce a rubber hose into the opening "B" (do not confuse with "A") and the other end of the hose into the funnel;
- 4.- use the funnel to slowly pour about 200 cm³ (a glass) of water;
- 5.- re-mount everything in reverse order.

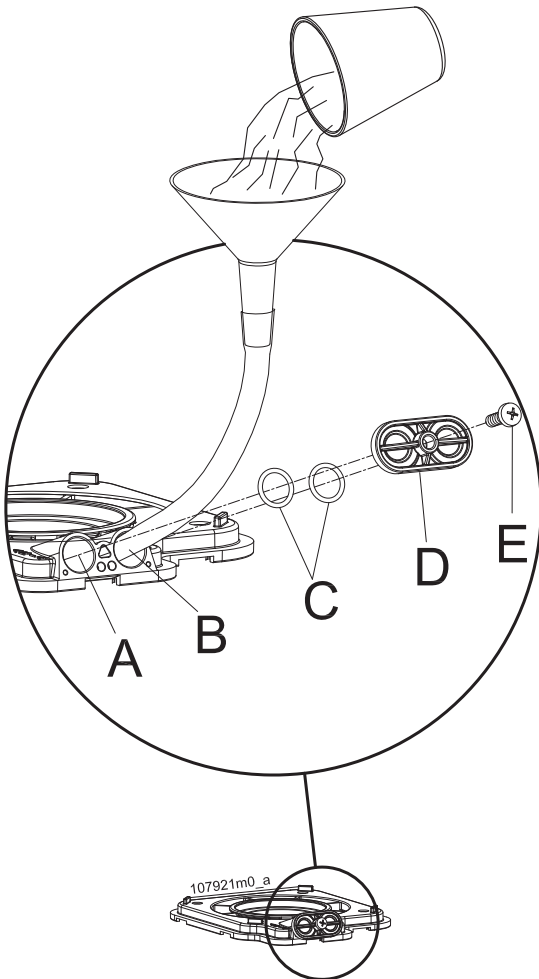


Figure 6-1 - Filling the condensate drain siphon on IM 550 and 750



CAUTION !!! If the appliance remains off for more than 3 months, the siphon must be filled again as explained above.

6.2 - General recommendations regarding the supply of gas

For commissioning of the appliance, have a professionally qualified technician perform the following checks:

- ☞ That the appliance is powered by the type of fuel for which it is set-up.
- ☞ That the gas supply pressure (with appliance operating and at a standstill) is within the maximum and minimum values indicated in the table in section 9 at the end of the manual.
- ☞ That the supply plant has all safety and control parts envisioned by the current national and local Standards.
- ☞ That the exhaust flue terminal and the air intake terminal are free from any obstruction.
- ☞ That the exhaust flue terminal and air intake terminal are positioned outside the building.
- ☞ That the condensate drain connection is connected.



CAUTION !!! What to do if you smell gas:

- A - No naked flames, no smoking!**
- B - Avoid causing sparks, do not switch on or off electrical equipment or lights;**
- C - Open windows and doors;**
- D - Shut off the main gas supply;**
- E - Warn occupants and leave the building;**
- F - After leaving the building alert the local gas supply company;**
- G - Do not re-enter the building until it is safe to do so;**

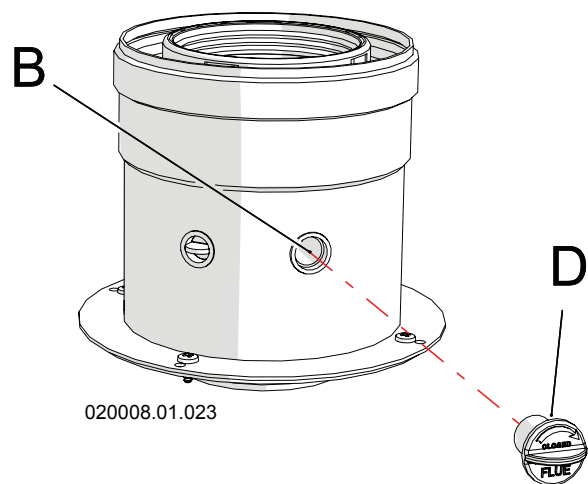


Figure 6-2 - Filling the condensate drain siphon on IM 1250

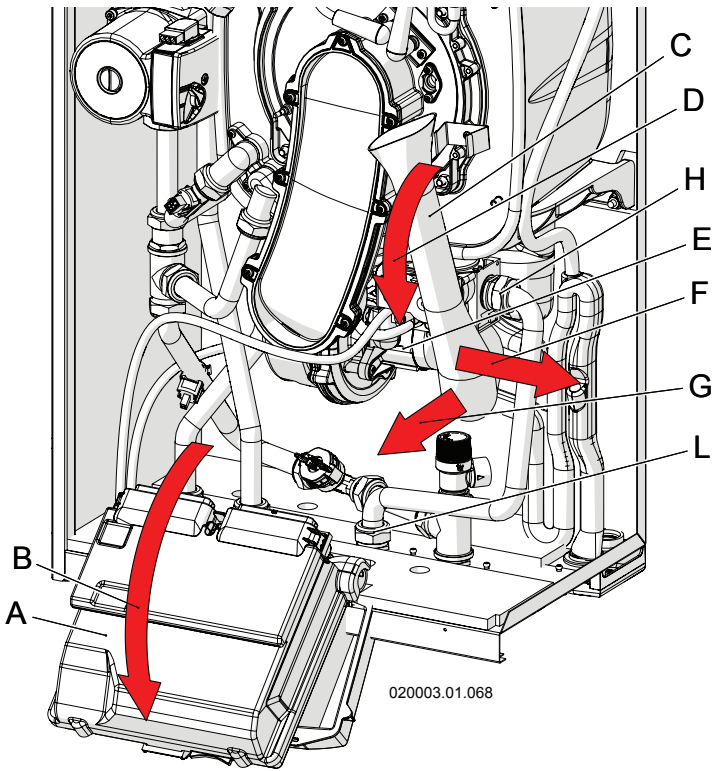


Figure 6-3 - Removing the air manifold

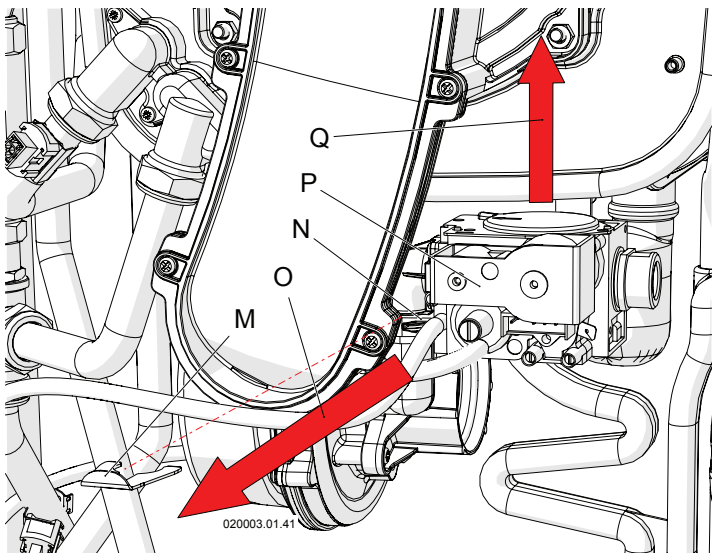


Figure 6-4 - Removing the gas valve

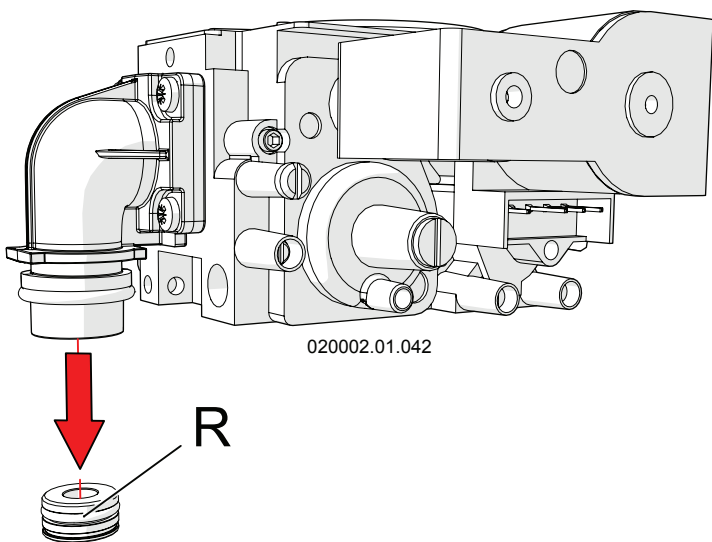


Figure 6-5 - Replacing the gas orifice

6.3 - Type of gas for which the appliance is regulated.

There is a label on the front of the appliance certifying the gas supply type and pressure for which it is adjusted. The appliance may have the following 2 types of wording:

2H-G20-20mbar NATURAL GAS

means that the appliance is adjusted to operate with H type gas of the second family (natural gas) at a supply pressure of 20 mbar.

3P-G31-37mbar LP GAS

means that the appliance is adjusted to operate with type P gas (Propane, also called LP Gas) of the third family, at a supply pressure of 37 mbar.





6.4 - Conversion of the appliance from one type of gas to another



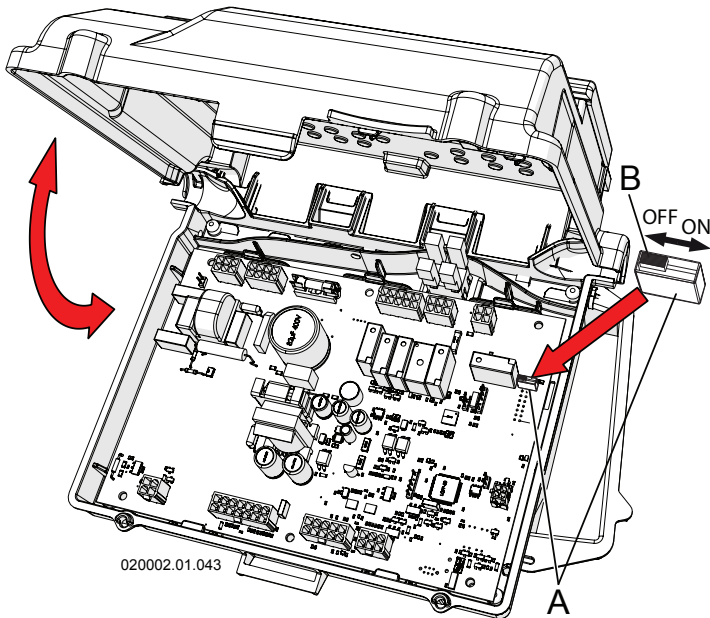
CAUTION !!! Read these instructions carefully before changing the gas:

- The gas appliance must be installed, calibrated or modified by specialised staff in compliance with legal terms;
- Check and be certain that the type of gas which is powering the appliance is compatible with the adjustment kit in your possession;
- Only use the gas the appliance has been set up for, if a different gas is to be used the appliance must be converted before use.

Follow the instructions given below to change the gas:

- 1 - disconnect the electrical power supply upstream from the appliance;
- 2 - open the appliance casing and access the control and command board as reported in section 8.2;
- 3 - move the microswitch "B" from left to right to the "ON" position (see figure 6-6);
- 4 - apply electric power to the appliance;
- 5 - The parameter **3001** will appear on the display, followed by its value;
- 6 - using the  + and  keys, access the parameter **3002**;
- 7 - press the RESET key to make the **3002** parameter flash;
- 8 - using the  + and  keys, set the value of the parameter **3002** to the new corresponding value according to the table in figure 6-8;
- 9 - press the RESET key to confirm the modification;
- 10 - switch OFF the appliance and disconnect the electric power;
- 11 - Re-position the microswitch "B" from left to right in "OFF" position (see Figure 6-6);
- 12 - close the gas supply manual valve;
- 13 - remove the air manifold making sure to turn it externally and then slide it out of the fan inlet (see figure 6-3, detail "C");
- 14 - remove the gas inlet pipe by the two fittings (see figure 6-3, details "H" and "L");
- 15 - remove the clamping spring "M" from the seat "N" releasing the valve "P"(See figure 6-4);

6 - OPERATING



B - Microswitch

Figure 6-6 - Positioning the microswitch

A	IT-FR-ES-PT-UK-IE-RO-HU
Apparecchio regolato per gas: Appareil réglé pour gaz: Aparato regulado por gas: Aparelho regulado por gas: Appliance set for gas type:	
2H-G20-20mbar 2E+-G20/G25-20/25mbar	
GAS METANO GAZ NATUREL GAS NATURAL GAS NATURAL NATURAL GAS	
B	IT-FR-ES-PT-UK-IE DE-BE-NL-RO-HU
Apparecchio regolato per gas: Appareil réglé pour gaz: Aparato regulado por gas: Aparelho regulado por gas: Appliance set for gas type: Apparat reguliert für gas: Toestel ingesteld voor gassoort:	
3B/P-G30/G31-30mbar 3P-G31-37mbar	
GAS GPL GAZ GPL GAS GLP GAS GLP LP GAS	
C	FR-DE-BE
Appareil réglé pour gaz: Apparat reguliert für gas: Appliance set for gas type:	
2Es-G20-20mbar 2E-G20-20mbar 2E(s)B-G20-20mbar	
GAS NATUREL (LACQ) ERDGAS E	
D	FR-DE-BE-NL
Appareil réglé pour gaz: Apparat reguliert für gas: Appliance set for gas type: Toestel ingesteld voor gassoort:	
2E(R)-G25-25mbar 2EJ-G25-25mbar 2L-G25-25mbar 2LL-G25-20mbar	
GAS NATUREL (GRONINGUE) ERDGAS LL NATURAL GAS GRONINGEN	

62408090m8

Figure 6-7 - Labels certifying the new state of adjustment of the appliance

16. - slide the gas valve "P" out upwards;
17. - replace the gas orifice "R" (see figure 6-5) with an appropriate one according to that stated in figure 6-8 under "Gas orifice diameter";
18. - remount the gas valve (see figure 6-4, detail "P"), making sure to reposition the spring "M".
19. - remount the gas supply pipe by the two fittings (see figure 6-3, details "H" and "L");
20. - remount the air manifold (see figure 6-3, detail "C");
21. - open the gas supply manual valve;
22. - check for any gas leaks on all joints.

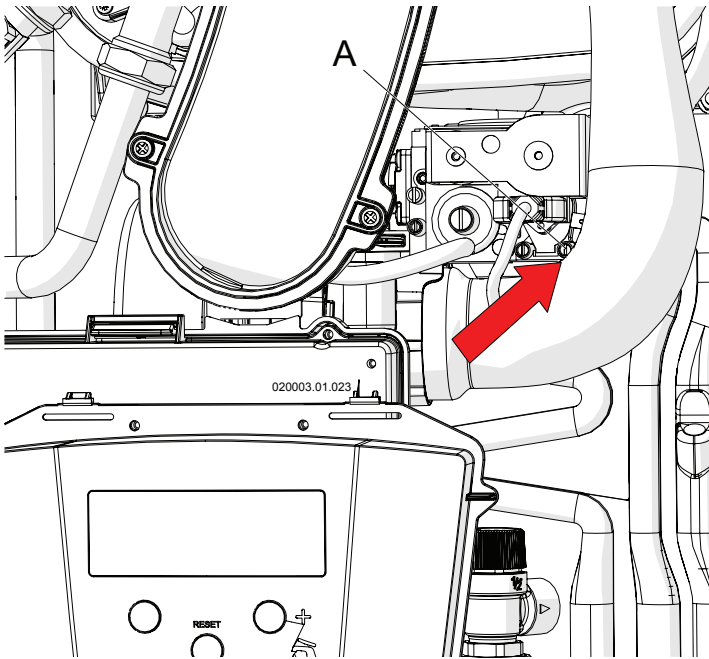


CAUTION !!! Check for leaks using a leak detection fluid.

- 23.- check the supply gas pressure, following the procedure in section 6.6;
- 24.- open the CO₂ adjustment screw completely (see figure 6-12 detail "A");
- 25.- control and adjust the CO₂, following the procedure in section 6.7;
- 26.- instead of the label that identified the old state of adjustment, apply the sticker onto the front casing of the appliance (see figure 6-7), certifying the appliance's new state of adjustment, as follows:
 - apply label "B" if the appliance has been converted to G31;
 - apply label "A" if the appliance has been converted to G20;

Model	Type of gas	Setting parameter 3002	Gas supply minimum pressure (mbar)	Gas supply maximum pressure (mbar)	Gas orifice diameter (mm)	CO ₂ Maximum power (%)	CO ₂ Minimum power (%)	O ₂ Maximum power (%)	O ₂ Minimum power (%)
550	G20	50	15	45	4,9	9,0 ± 0,3	8,5 ± 0,2	4,8 ± 0,2	5,5 ± 0,2
	G31	51	15	45	3,7	10,5 ± 0,3	10,0 ± 0,2	4,8 ± 0,2	5,6 ± 0,2
750	G20	52	15	45	6,5	9,0 ± 0,3	8,5 ± 0,2	4,8 ± 0,2	5,5 ± 0,2
	G31	53	15	45	4,7	10,5 ± 0,3	10,0 ± 0,2	4,8 ± 0,2	5,6 ± 0,2
1250	G20	54	15	45	10,0	8,7 ± 0,3	8,3 ± 0,2	4,9 ± 0,2	5,8 ± 0,2
	G31	55	15	45	6,5	10,1 ± 0,3	10,8 ± 0,2	4,8 ± 0,2	5,6 ± 0,2






Figure 6-8 - Correspondence table for the parameter **3002** and the operating values



A - Inlet gas pressure port.

Figure 6-9 - Gas valve

6.5 - Ignition

- 1.- Open the gas manual valve;
- 2.- Turn the electrical power;
3. - Adjust the temperature desired for the domestic hot water service using the  + and  keys. The icon  , present on the display will inform regarding the operating state of the domestic hot water service:
 - a) fixed  icon: domestic hot water inactive (no-one is tapping domestic hot water).
 - b) flashing  icon: domestic hot water is being tapped.
- 4.- Open an hot water outlet at its maximum to help the water heater purging the air. If outlet has a limited water flow, open two or three outlets to completely purge the air. On model 60, help yourself opening the manual air purging valve (item "47" figure 3-4);



CAUTION !!! If the air is not purged correctly a boiling noise can be experienced causing water heater going into Loc 15 or Loc 16.

6.6 - Check the gas supply pressure


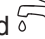
- The gas supply pressure must correspond to that stated in the table in section 9 at the end of the manual. For its verification, proceed as follows:
- 1.- close the gas supply manual valve;
 - 2.- access the components inside the appliance, following the procedure in section 8.2;
 - 3.- loosen the pressure port "A" (see figure 6-9);
 - 4.- connect to a pressure gauge with resolution of at least 0,1 mbar (1 mmH₂O);
 - 5.- open the gas manual valve;
 - 6.- check that the pressure does not exceed the value given in the table in section 9 under "gas supply maximum pressure";
 - 7.- open the domestic hot water tap to maximum;
 - 8.- wait for the temperature of the appliance to stabilise;
 - 9.- check that the pressure does not drop to a lower value than the "gas supply minimum pressure" given in section 9. If the supply pressure does not respect the values described, operate upstream from the appliance in order to take it back within the minimum and maximum range;
 - 10.- close the domestic hot water tap;
 - 11.- close the pressure point "A" in figure 6-9;
 - 12.- check for any gas leaks on port "A" in figure 6-9.



CAUTION !!! Check for leaks using a leak detection fluid.

6.7 - Measurement and adjustment of CO₂ levels

The appliance in normal operating condition and for altitudes within 1000 m, must have a CO₂ (carbon dioxide) level in the exhaust flue gases within the parameters as detailed in section 9. A value which is different to those detailed can cause malfunctions and is strictly prohibited. Combustion analysis must be performed to check and eventually adjust this value. Proceed as follows:

- 1.- insert a combustion analyser on the appropriate point on the flue fitting "B" in figure 6-10 or 6-11;
- 2.- open the domestic hot water tap fully;
- 3.- wait for the CO₂ measurement to stabilise;
- 4.- compare the value measured with that given in the table in figure 6-8, "CO₂ maximum power". If the value measured is different from the value read, it must be taken back within the value given in the table in figure 6-8. proceeding as follows:
 - a) turn screw "A" (figure 6-12) clockwise to decrease the level of CO₂;
 - b) turn screw "A" (figure 6-12) counter-clockwise to increase the level of CO₂;
- 5.- once the check has been completed, seal the screw "A" in figure 6-12 with red paint or similar system;
- 6.- follow section 7.8 to enter parameter 2010 and set it to Lou;
- 7.- open a DHW outlet to draw some water;
- 8.- now appliance will fire at minimum capacity;
- 9.- wait for the CO₂ measurement to stabilise;
- 10.- compare the value measured with that given in the table in figure 6-8, "CO₂ minimum power";
- 11.- if the value is not into the range, use screw "B" as per figure to adjust the CO₂ value. Rotate the screw counter-clockwise to reduce the CO₂ value or clockwise to increase the CO₂ value;
- 12.- once the check has been completed, seal the screw "B" in figure 6-12 with red paint or similar system;
- 13.- press the RESET key again to enter the parameter **20 10** and use the  and  keys, to modify the value to **OFF**;
- 14.- press the RESET key to confirm the modification.
- 15.- hold the RESET key down for 5 seconds to exit the "installer" menu.
- 16.- close the previously-opened domestic hot water tap.

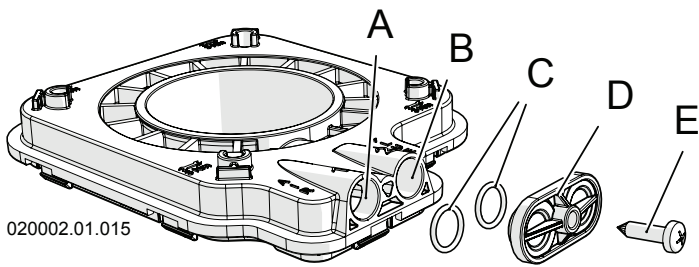


Figure 6-10 - Combustion analysis port on IM 550 and 750

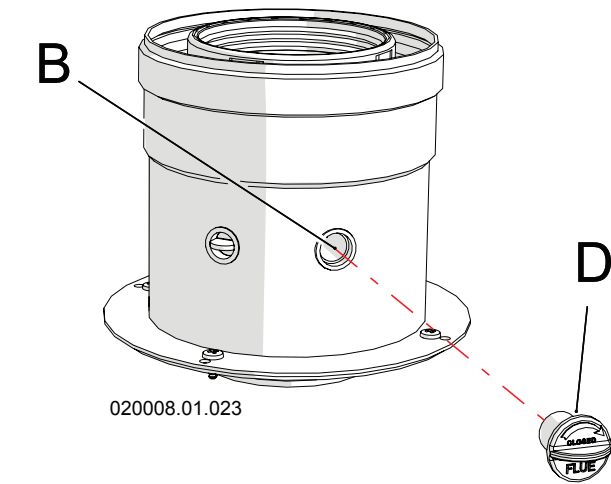
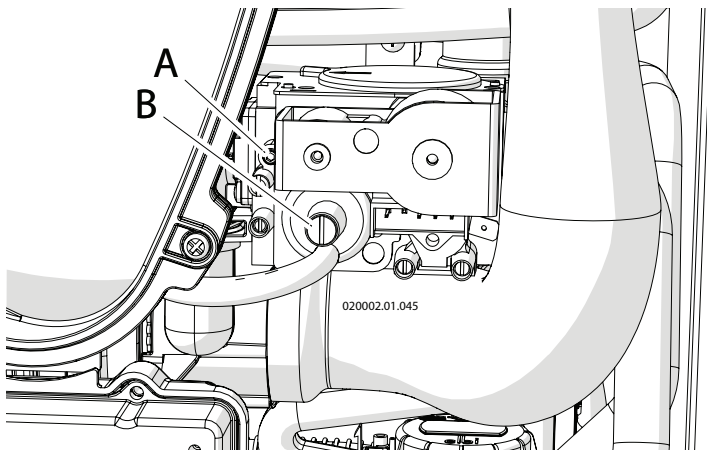


Figure 6-11 - Combustion analysis port on IM 1250



A - High fire CO₂ adjustment screw
B - Low fire CO₂ adjustment screw

Figure 6-12 - Gas valve

6.8 - Self-learning and calibration of the minimum and maximum capacity output

Impetus water heaters have a self learning programme to ensure water is supplied at a consistent temperature. The water heater automatically calibrates itself based on maximum and minimum tapping patterns. When first installed this is not known so to help the heater work effectively when first installed and aid the calibration process follow this procedure:

1.- open a hot water outlet to its maximum flow, preferably a tap;

2.- using button  +, increase the value to the maximum water temperature;



CAUTION!!! A domestic hot water temperature exceeding 51°C can cause permanent damages to persons, animals and objects. Children, the elderly and disabled must be protected against the potential risks of scalding, by introducing devices that limit the temperature of use of domestic hot water to utilities.

3.- water heater should fire for at least five minutes, to its maximum capacity or to the maximum capacity of the system where it is installed

4.- now the maximum capacity is calibrated;

5 - enter installer menu (see procedure on section 7.8) and set parameter 2010 to LOu

6.- now burner will fire at minimum capacity. Wait at least five minutes;

7.- now the minimum capacity is calibrated;

8.- Turn OFF and ON the water heater (see section 7.10);

9.- close your hot water outlet;

10.- now water heater learned the first minimum and maximum limit of this installation and it will correctly tune the hot water temperature.

6.9 - Adjust the domestic hot water flow rate

If the appliance is installed in a geographical area where the temperature of the cold water is very low, the flow rate of domestic hot water that passes inside the appliance may have to be reduced. It is therefore good practice to perform this adjustment:

1.- switch the appliance on;

2.- using the  + and  = keys, adjust the temperature of the domestic hot water to 48 - 50°C;

3.- open the domestic hot water tap fully. In the case of a single lever mixer, the position must be completely on "HOT";

4.- wait 3 minutes for the temperature to stabilise;

5 - if the water temperature is too cold, the flow rate must be reduced via the selector "3" in figure 5-5 (or something similar), until the desired temperature is reached.

6.10 - Check the capacity input

The heater has a factory-set air/gas ratio. The pressure of the gas at the burner is indirectly controlled by the blower. The only way to check the heater capacity input is operating directly on the gas meter. To do so proceed as follow:

1. turn the power switch (item "A" in Figure 7-1) to on;

2. gain access to the installer menu (see section 7.8) and set parameter 2010 to HIGH. Now heater will run at high fire for 20 minutes;

3. open a DHW outlet to the maximum flow;

4. measure the capacity input to the gas meter. This should match with the value given in technical data section 9 header "Maximum heat input" with a tolerance of +/- 10%;

5. if the capacity input is too low, check:

a) that there are no obstructions in the combustion air and/or vent system;

b) check that the flue and air intake length is below the maximum specified in the technical data, section 9;

c) check that heat exchanger and burner are clean (see section 8.4).

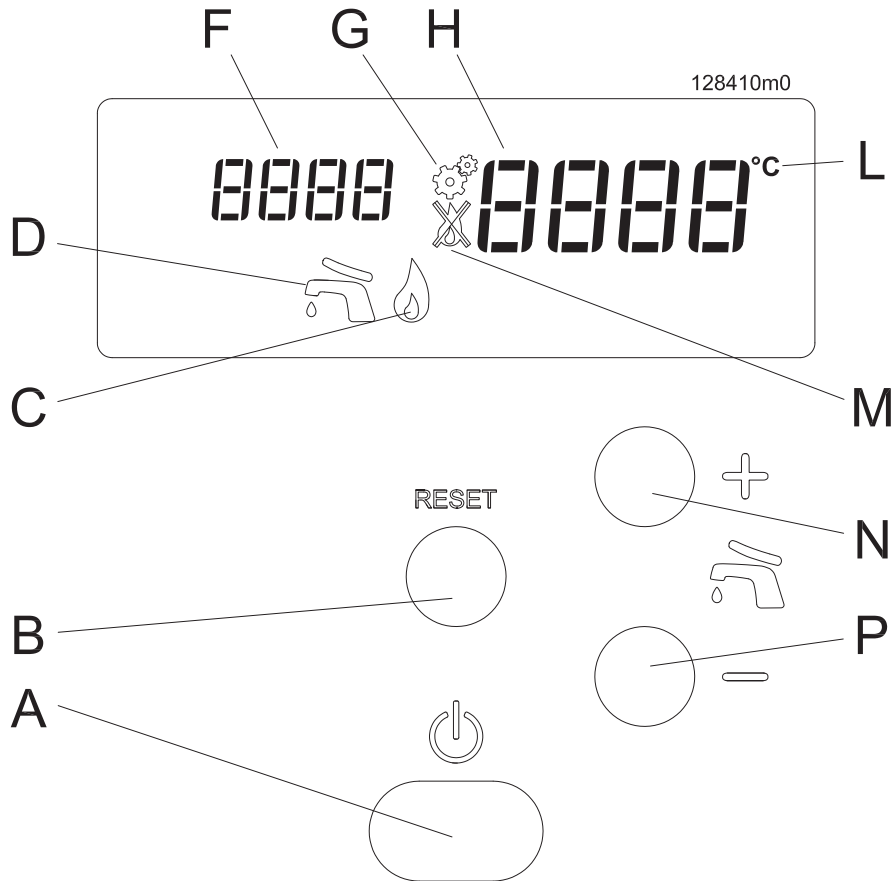


Figure 7-1 - Control panel

Key for figure 7-1

- A - On/off switch
- B - Reset Key
- C - Burner status (the burner is on when this icon is present)
- D - State of the domestic water service:
 Icon off = domestic water off
 Icon on = domestic water active but not operating
 Icon flashing = domestic water active and operating
- F - Indicator of the various parameters inside the various menus
- G - Icon for entry into the "Installer" menu
- H - Domestic hot water temperature or indicator of the values assumed by the various parameters
- L - Unit of measurement of the temperature displayed
- M - Appliance blocked (see section 7.9.1 and 7.9.2 for the diagnostics)
- N - Key for increasing the temperature of the domestic hot water or for scrolling and changing the value of the parameters
- P - Key for reducing the temperature of the domestic hot water or for scrolling and changing the value of the parameters

7.1 - Display

During operation the display shows the appliance operating state as well as other information as indicated in section 7.9 (Diagnostics). Other parameters can be consulted through the "User menu" (see section 7.7), which are useful for understanding operation of the appliance and to control the latest errors or lockout occurring.

After 5 minutes of normal operation, the display switches off completely to save energy. Just press any key to switch it back on.

In the case of any anomaly, the display switches back on automatically. This function can be modified by following section 7.6 (Energy saving).

7.2 - Ignition procedure

- 1.- open the gas manual valve;
- 2.- power the appliance electrically;
- 3.- adjust the temperature of the domestic hot water as per section 7.4.
- 4.- open a DHW outlet.

The command and control equipment will switch the burner on. If ignition does not take place within 20 seconds, (the appliance automatically re-attempts ignition 3 times), the appliance

blocks and the visual display will show **L o c k**.

Press the RESET key to restore the normal operating conditions.

The appliance will automatically attempt a new ignition.





CAUTION !!! If shutdown due to blocking is repeated frequently, contact a qualified technician to reset the normal operating conditions.

7 - USE

7.3 - "User menu"

Entry into the "User menu" is highlighted by the visual display "F", in figure 7-1, which indicates parameters that can assume

values from **100 1** to **1999**. To enter the "User menu":



- 1.- hold the RESET key down for 2 seconds until the visual display "F" shows **100 1**;
- 2.- press the  and  keys to scroll the parameters situated inside the user menu;
- 3.- hold down the RESET key for more than 2 seconds to exit the "User menu";

If no key is pressed for more than 60 seconds, the menu is exited automatically.

The parameters in section 7.7 can be queried in this menu.

7.4 - Adjustment of the domestic hot water temperature

The temperature of the domestic hot water is adjusted by

operating on the  and  keys. On pressing one of the two keys, the visual display "H" in figure 7-1 will start to flash and show the temperature that is being set. The range of adjustment for the temperature of the domestic hot water goes from 40°C to 60°C. For higher output temperatures, contact your technician to change the maximum output temperature factory setting, see section 11.

7.5 - Pump control features and timers

To safeguard the lifespan of the appliance, improve the comfort generated and increase energy saving, timers have been introduced during operation.

These timers are:

- Pump post-circulation: every time the domestic hot water service ends, the pump continues to operate for 40 seconds;
- Pumps anti-block: every 24 hours the recirculation pump is forced on for 15 seconds;

7.6 - Display Energy Saving mode

To reduce the consumption of display energy, it will switch off automatically after 5 minutes from the last operation performed. This function can be deactivated or the time

modified via parameter **2 100** present in the "Installer menu"

(see section 7.8). If the parameter is set at **OFF**, the display will remain on constantly.

7 - USE

7.7 - "User menu" Parameters

To access the "User menu" follow that reported in section 7.3.

The following parameters can be queried in this menu:

Parameter	Parameter Description	M.U.
1001	Heat exchanger outlet temperature 1	°C
1002	Hot water outlet temperature or storage tank temperature (if any)	°C
1003	No function	/
1004	External temperature (visible when an external temperature sensor is installed) (N/A)	(N/A)
1005	Heat exchanger outlet temperature 2 (safety sensor)	°C
1006	Exhaust flue temperature	°C
1007	Cold water inlet temperature	°C
1008	Ionisation current	uA
1009	Status of the pump inside the appliance	ON/OFF
1010	Status of the central heating side diverter valve (OFF = in central heating mode; ON = in domestic hot water mode) (N/A)	(N/A)
1011	Status of the central heating side diverter valve (ON = in D.H.W. mode; OFF = in central heating mode) (N/A)	(N/A)
1012	Central heating supply temperature calculated via the external sensor (N/A)	(N/A)
1013	Status of the timer contact (N/A)	open or closed
1014	Exhaust flue temperature 2 (safety sensor) (N/A)	(N/A)
1040	Current rotation speed of the fan	rpm
1041	Fan rotation speed on ignition	rpm
1042	Fan rotation speed in minimum power mode	rpm
1043	Fan rotation speed in maximum power mode	rpm
1051	Latest block condition recorded (Loc) (see section 7.9.1) (255 means no block)	/
1052	Latest error condition recorded (Err) (see section 7.9.2) (255 means no error)	/
1053	Number of times the burner has lost the flame	n°
1055	Number of failed burner ignitions	n°
1056	Number of hours worked in central heating mode (N/A)	(N/A)
1057	Number of hours worked in domestic hot water mode	h x 10
1058	Number of burner working days	days
1059	Interval of time between the last two blocking errors (Err)	1: value in minutes; 2: value in hours; 3: value in days; 4: value in weeks;
1060	Interval of time between the last two blocks (Loc)	
1061	Current rotation speed of the domestic hot water turbine (N/A)	(N/A)
1062	Current domestic hot water flow rate (Meter have a tolerance of +/- 15%)	l/min

N/A = Not applicable

7 - USE


7.8 - “Installer menu” & parameters





CAUTION !!! The modification of these parameters could cause the appliance, and therefore the plant, to malfunction. For this reason only a technician that has the awareness and in-depth knowledge of the appliance can modify them.

The appliance command and control board makes this parameter menu available to the technician for the analysis of operation and adaptation of the appliance to the plant. Proceed as follows to enter the “Installer menu”:



1.- hold the RESET and  keys down simultaneously for 5 seconds until the **2001** parameter is displayed.

The symbol  appears on the display to indicate the entry into the “Installer menu”.


2.- the  + and  keys can be used inside the menu to scroll the parameters;

3.- once the parameter of interest has been displayed, it can be modified as follows:

a.- press the RESET key to access the parameter (the visual display “H” in figure 7-1 will start to flash);

b.- modify the value of the parameter using the  + and  - keys;

c.- press the RESET key to confirm the data modified and go back to the list of parameters;

4.- To exit the “Installer menu”, hold down the RESET key for 5 seconds until the symbol  disappears from the display.

If no key is pressed for more than 5 minutes, the menu is exited automatically. Any data variation that is not confirmed with the RESET key will be lost.



CAUTION !!! Any variation to the parameters must be noted in the “Customised values” column present in the following table in order to facilitate the eventual replacement of the command and control board.

The following parameters can be changed or queried in this menu:

Parameter	Parameter Description	M.U.	Setting range	Factory value	Customised values
2001	Central heating minimum power level (N/A)	(N/A)	(N/A)	1	(N/A)
2002	Central heating maximum power level (N/A)	(N/A)	(N/A)	100	(N/A)
2003	Central heating operating mode (N/A)	(N/A)	(N/A)	0	(N/A)
2004	Stand-by time after maximum differential (N/A)	(N/A)	(N/A)	10	(N/A)
2005	Post-circulation in central heating mode (N/A)	(N/A)	(N/A)	120	(N/A)
2010	Forcing of fan and burner (Water heater will work only in presence of demand of DHW)	/	OFF = No forcing FAN = Forcing of fan only to max speed LOu = Forcing of burner to minimum power Ign = Forcing of burner to ignition power HlgH = Forcing of burner to maximum power rEg = Forcing of burner to maximum power	OFF	
2011	Forcing the pump (N/A)	(N/A)	On = Pump on OFF = Pump off	OFF	(N/A)
2012	Forcing of the domestic central heating side diverter valve (N/A)	(N/A)	(N/A)	OFF	(N/A)
2013	Forcing of the domestic hot water side diverter valve (N/A)	(N/A)	(N/A)	OFF	(N/A)
2014	Icons test on the display. By pressing the REST key, all of the icons on the display light up. By pressing the RESET key again to display goes back to normal operation	/	/	/	
2020	Climatic adjustment: external temperature for central heating switch-off (N/A)	(N/A)	(N/A)	22	(N/A)
2021	Climatic adjustment: design external temperature (winter) (N/A)	(N/A)	(N/A)	-5	(N/A)
2022	Climatic adjustment: supply temperature corresponding to the design external temperature (winter) (N/A)	(N/A)	(N/A)	80	(N/A)
2023	Climatic adjustment: external spring-like temperature (N/A)	(N/A)	(N/A)	20	(N/A)

7 - USE

2024	Climatic adjustment: supply temperature corresponding to the external spring-like temperature (N/A)	(N/A)	(N/A)	40	(N/A)
2027	Temperature reduction by room thermostat opening (N/A)	(N/A)	(N/A)	10	(N/A)
2040	Climatic adjustment: central heating boost temperature (N/A)	(N/A)	(N/A)	0	(N/A)
2041	Climatic adjustment: central heating boost time (N/A)	(N/A)	(N/A)	20	(N/A)
2042	Protection against frequent switch-on in central heating mode: time (N/A)	(N/A)	(N/A)	180	(N/A)
2043	Protection against frequent switch-on in central heating mode: temperature differential (N/A)	(N/A)	(N/A)	16	(N/A)
2060	Domestic hot water minimum power level	%	From 1 to 50	1	
2061	Domestic hot water maximum power level	%	From 1 to 100	100	
2062	Post-circulation in domestic hot water mode	sec	From 10 to 900	40	
2063	Maximum time for loading storage tank (N/A)	(N/A)	(N/A)	60	(N/A)
2064	Number of flow meter revs. for every litre of water (N/A)	(N/A)	(N/A)	3,2	(N/A)
2066	Delay in the detection of the instantaneous domestic hot water	sec	From 1 to 10	1	
2067	Storage tank loading procedure (N/A)	/	0 = (N/A); 1 = (N/A); 2 = ON, the domestic hot water always has priority over heating;	2	
2080	Periodic maintenance meter (after RESET, the meter automatically goes back to ON)	/	ON = Periodic maintenance meter active; OFF = Periodic maintenance meter off; RESE = Meter reset	OFF	
2081	Periodic maintenance meter: maintenance request time	days	From 0 to 1000	1000	
2100	Energy saving display	min	OFF = display always on From 1 to 30 = delay to switch-off in minutes.	5	

N/A = Not applicable

7.9 - Diagnostics

During normal operation of the appliance, the visual display in figure 7-1 continuously shows the state of work of the appliance, via the following indications:

Parameter	Parameter Description	Display on visual display "H" in figure 7-1
<i>AFro</i>	Anti-freeze function active	Appliance temperature (°C)
<i>Loc</i>	Appliance in lockout. To reset, press RESET . If the lockout occurs frequently, contact a professionally qualified technician	Lockout code (see section 7.9.1 for decode)
<i>Err</i>	Appliance in error mode. Functioning can only be restored by solving the cause of the anomaly. Contact a professionally qualified technician	Error code (see section 7.9.2 for decode)
<i>ALeG</i>	Anti-legionella function running. (N/A)	(N/A)
<i>SEr</i>	Maintenance request for the appliance	Appliance temperature (°C)

N/A = Not applicable

7.9.1 - Diagnostics “Loc” block fault codes and potential solution

Block	Block Description	Checks	Solutions
Loc 0	Internal memory error E2prom at command board		Replace the command and control board.
Loc 1	1 No flame detection after three successive ignition attempts.	Control: Supply gas pressure (see section 6.6), sparks on the ignition electrodes (see section 8.6); 230Vac electric power supply to the gas valve; electric resistance of the two gas valve coils of 0.88 Kohm and 6.59 Kohm If the burner switches on and switches off at the end of the ignition attempt, check: that the ionisation current is at a value over 4 (follow the procedure in section 8.13)	the supply pressure is not correct, operate upstream from the appliance to restore it; If the current at the gas valve is not 230Vac, the command and control board must be replaced. If the electric resistance of the gas valve is not 0.88 Kohm and 6.59 Kohm, the valve must be replaced. If the ionisation current is not over 4, the CO2 must be checked (follow section 6.7) and restore its correct value, check the ionisation electrode and replace it if necessary. Check the integrity of the ionisation current electric circuit cables.
Loc 2	Gas valve command relay broken		Replace the command and control board.
Loc 3	Internal safety relay failure at command board		Replace the command and control board.
Loc 4	Appliance in error mode for more than 20 hours	Control the last error displayed in the board.	Operate according to the last error displayed.
Loc 5	Fan out of speed for more than 60 seconds	Check that it is powered at 300 Vdc.	If the fan is powered, it must be replaced, alternatively replace the command and control board.
Loc 6	Fan error too slow		
Loc 7	Fan error too fast		
Loc 8	Parameters inside the E2prom memory, incorrect		Replace the command and control board.
Loc 9	Software error inside the command board		Replace the command and control board.
Loc 10	Software error inside the command board		Replace the command and control board.
Loc 11	Software error inside the command board		Replace the command and control board.
Loc 12	Software error inside the command board		Replace the command and control board.
Loc 13	Not applicable	(N/A)	(N/A)
Loc 14	Not applicable	(N/A)	(N/A)
Loc 15	Appliance has reached the maximum temperature of operation	Check that the pump works; Check that the electrical resistance of the two sensors 1001 and 1005 combine with the chart referred to in section 8.14; Check that the high limit flue gas temperature fuse has not been involved; Check air is purged from water heater (see section 6.5);	Restore the flow of water or replace the control board; If either or both of the sensors are not within correct values, replace sensor; If the high limit flue gas temperature fuse has been involved (the contact is open) before replacing the high limit verify the temperature of the flue gas referred to in the technical data from section 9; CAUTION!!! If the temperature is not within the correct value DO NOT ATTEMPT ANY REPAIR but contact the manufacturer.

7 - USE

Loc 16	Exhaust flue maximum temperature. ATTENTION !!! If the block is repeated more than once a day, turn off the appliance and contact a qualified service center.	Check that the pump is operating correctly; Measure that appliance performance; it must correspond to that declared in the technical features. Check air is purged from water heater (see section 6.5)	If the pump does not operate, it must be replaced. If the appliance is under-performing, the primary heat exchanger might be dirty either on the exhaust flue side or the domestic water side or both. Follow instructions in section 8.4 and check again.
Loc 17	Software error inside the command board		Replace the command and control board.
Loc 18	Software error inside the command board		Replace the command and control board.
Loc 19	Software error inside the command board		Replace the command and control board.
Loc 20	Flame still present 10 sec. after closing gas valve		Replace the gas valve or the command and control board.
Loc 21	Flame present before ignition		Replace the gas valve or the command and control board.
Loc 22	Flame lost three times	Control: that the ionisation current is at a value over 4 (follow the procedure in section 8.13) Control: that the exhaust flue system is not being affected by high gusts of wind or nearby mechanically operated fans	If the ionisation current is not over 4, the CO2 must be checked (follow section 6.7) and restore the correct value. Check the ionisation electrode and replace it if necessary. Check the integrity of the ionisation current electric circuit cables. If a horizontal exhaust flue terminal is exposed to unusually high wind conditions or nearby mechanically operated fans then a suitable deflection shield or protection should be considered or an alternative location should be considered. The same approach should be taken for a vertical exhaust flue and in addition, check that downdraughts are not being encountered due to the proximity of higher roof profiles.
Loc 23	Not applicable	(N/A)	(N/A)
Loc 24	Not applicable	(N/A)	(N/A)
Loc 25	1001 and 1005 sensors measure the different temperatures for more than 60 seconds.	Check that the electrical resistance of the two sensors match the graphics in section 8.14;	If one of the two or both sensors do not have correct values, they must be replaced;
Loc 26	Not applicable	(N/A)	(N/A)
Loc 27	Not applicable	(N/A)	(N/A)
Loc 28	Not applicable	(N/A)	(N/A)
Loc 29	Software error inside the command board		Replace the command and control board.
Loc 30	Software error inside the command board		Replace the command and control board.
Hot water temperature is not stable		Repeat calibration procedure (see section 6.8) Check if pump is in speed 3	
Water flow is present but the water heater doesn't work		Check if the water flow (parameter 1062) is higher than the minimum water flow as stated on section 7.7.	

N/A = Not applicable

7.9.2 - Diagnostics “E” error fault codes and potential solutions





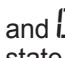



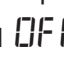


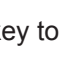
Error	Error Description	Checks	Solutions
Err 100	Software error inside the command board		Replace the command and control board.
Err 101	Software error inside the command board		Replace the command and control board.
Err 102	Software error inside the command board		Replace the command and control board.
Err 103	Software error inside the command board		Replace the command and control board.
Err 104	Software error inside the command board		Replace the command and control board.
Err 105	The supply temperature exceeds 110°C with the gas valve closed	<p>Check that the electrical resistance of the two supply sensors match the graphics in section 8.14.</p> <p>Check that the gas valve closes the gas correctly when the burner switches off.</p>	<p>If one of the two sensors does not match, the double supply sensor must be replaced.</p> <p>The gas valve must be replaced if it does not close correctly.</p>
Err 106	Software error inside the command board		Replace the command and control board.
Err 107	Software error inside the command board		Replace the command and control board.
Err 108	Software error inside the command board		Replace the command and control board.
Err 109	Software error inside the command board		Replace the command and control board.
Err 110	Software error inside the command board		Replace the command and control board.
Err 111	Software error inside the command board		Replace the command and control board.
Err 112	Software error inside the command board		Replace the command and control board.
Err 113	Software error inside the command board		Replace the command and control board.
Err 114	Flame detected in a moment when it should not be present		Replace the gas valve.
Err 115	Central heating water low pressure (N/A)	(N/A)	(N/A)
Err 116	Central heating water pressure sensor error (N/A)	(N/A)	(N/A)
Err 117	Not applicable	(N/A)	(N/A)
Err 118	Software error inside the command board		Replace the command and control board.
Err 119	Cold water inlet sensor (1007) circuit open	Check that the electric resistance of the sensor matches the graphics in section 8.14. Check the electric cables for connection between the sensor and the command board.	If the electric resistance does not match, replace it. The electric circuit must be repaired if it is damaged. Without either of the two previous cases, replace the command and control board.
Err 120	Heat exchanger outlet sensor (1001) circuit open	Check that the electric resistance of the sensor matches the graphics in section 8.14. Check the electric cables for connection between the sensor and the command board.	If the electric resistance does not match, replace it. The electric circuit must be repaired if it is damaged. Without either of the two previous cases, replace the command and control board.
Err 121	Heat exchanger outlet sensor (1005) circuit open	Check that the electric resistance of the sensor matches the graphics in section 8.14. Check the electric cables for connection between the sensor and the command board.	If the electric resistance does not match, replace it. The electric circuit must be repaired if it is damaged. Without either of the two previous cases, replace the command and control board.

7 - USE

Err 122	Domestic hot water outlet sensor (1002) circuit open	Check that the electric resistance of the sensor matches the graphics in section 8.14. Check the electric cables for connection between the sensor and the command board.	If the electric resistance does not match, replace it. The electric circuit must be repaired if it is damaged. Without either of the two previous cases, replace the command and control board.
Err 123	Flue gas sensor (1006) circuit open	Check that the electrical resistance of the sensor matches the graphics in section 8.14 Check that the wires between the board and the sensor are connected correctly	If the sensor does not match, the double exhaust sensor must be replaced. If the wires are not connected correctly, the connections must be restored.
Err 124	Not applicable	(N/A)	(N/A)
Err 125	Not applicable	(N/A)	(N/A)
Err 126	Cold water inlet sensor (1007) circuit, in short circuit condition	Check that the electric resistance of the sensor matches the graphics in section 8.14. Check the electric cables for connection between the sensor and the command board.	If the electric resistance does not match, replace it. The electric circuit must be repaired if it is damaged. Without either of the two previous cases, replace the command and control board.
Err 127	Heat exchanger outlet sensor (1001) circuit, in short circuit condition	Check that the electric resistance of the sensor matches the graphics in section 8.14. Check the electric cables for connection between the sensor and the command board.	If the electric resistance does not match, replace it. The electric circuit must be repaired if it is damaged. Without either of the two previous cases, replace the command and control board.
Err 128	Heat exchanger outlet sensor (1005) circuit, in short circuit condition	Check that the electric resistance of the sensor matches the graphics in section 8.14. Check the electric cables for connection between the sensor and the command board.	If the electric resistance does not match, replace it. The electric circuit must be repaired if it is damaged. Without either of the two previous cases, replace the command and control board.
Err 129	Domestic hot water outlet sensor (1002) circuit, in short circuit condition	Check that the electric resistance of the sensor matches the graphics in section 8.14. Check the electric cables for connection between the sensor and the command board.	If the electric resistance does not match, replace it. The electric circuit must be repaired if it is damaged. Without either of the two previous cases, replace the command and control board.
Err 130	Flue gas sensor (1006) circuit in short circuit condition	Check that the electrical resistance of the sensor matches the graphics in section 8.14 Check that the wires between the board and the sensor are connected correctly	If the sensor does not match, the double exhaust sensor must be replaced If the wires are not connected correctly, the connections must be restored
Err 131	Not applicable	(N/A)	(N/A)
Err 132	External temperature sensor circuit (1004) in short circuit condition (N/A)	(N/A)	(N/A)
Err 133	Not applicable	(N/A)	(N/A)
Err 134	Not applicable	(N/A)	(N/A)
Err 135	Phase neutral reversed error	(N/A)	(N/A)
Err 200	Not applicable	(N/A)	(N/A)
Err 201	Not applicable	(N/A)	(N/A)
Err 202	Not applicable	(N/A)	(N/A)
Err 203	Too high difference between supply and return sensor	(N/A)	(N/A)

N/A = Not applicable

7.10 - Switch ON and OFF the appliance

To switch Off the appliance press in the same time the  + and  - keys and  OFF will appear then press  - key and  OFF will appear; Press RESET key to confirm the  OFF state. To switch back ON the appliance press in the same time the  + and  - keys and  OFF will appear. Then press  + key and  ON will appear; press RESET key to confirm the  ON state.

8 - MAINTENANCE

8.1 - Care and maintenance

This section must be brought to the attention of the user by the installer so that the user can make the necessary arrangements with a qualified service agency for the periodic care and maintenance of the heater.

The installer must also inform the user that the lack of proper care and maintenance of this heater and any fuel burning equipment may result in a hazardous condition.

Installer should discuss contents of section 7 (User's section) with the user.

A trained and qualified service technician should perform the inspection listed in these instructions before each heating season and at regular intervals.



CAUTION !!! Appliance maintenance must only be performed by a professionally qualified technician.



CAUTION !!! Before every maintenance operation, disconnect the appliance from the electric power supply, using the relevant switch in the vicinity.



CAUTION !!! Close the manual gas valve before any maintenance operation

Service and maintenance schedules

Service Technician

Annual Startup:

- Address reported problems (Follow section 8.1.2);
- Check all piping for gas leaks (Follow section 8.1.3)
- Verify flue and air lines in good condition and sealed tight (Follow section 8.1.4);
- Check water pressure/system piping (Follow section 8.1.5);
- Check control settings (Follow section 8.1.6);
- Check wiring and connections (Follow section 8.1.7);
- Check flame signal (Follow section 8.6);
- Inspect combustion chamber. Clean and vacuum if there is presence of debris and/or products of the combustion (Follow section 8.4).
- Inspect thermal insulations inside the combustion chamber and replace them if they are cracked or damaged (Follow section 8.3.1)
- Clean condensate siphon and fill with fresh water (Follow section 8.5).
- Check the capacity input (Follow section 6.10).

Figure 17-1 - Service and Maintenance Schedules

8.1.1 - Service recall

In order to maintain maintenance frequency, the parameter **2080** is present in the installer menu (see section 7.8), which is used to activate the maintenance call (Service)

along with parameter **2081** which is used to set the operating days which must pass between one intervention and the next. The control system identifies the operating days, verifying the burner activity time.

Proceed as follows to activate the call service:

1.- access the Installer menu (see section 7.8) and set

parameter **2080** on **On**;

2.- access parameter **2081** and set the appliance

operating days which must pass between one call and the next.

The call will be completed with **SEr** on the display. To

remove the indication **SEr** and renew the call period, operate as follows:

1.- access the "Installer menu";

2.- access the parameter **2080**, set it on **RESE** and press the RESET key.

3.- exit the Installer menu by pressing the RESET key for 5 seconds.

The call time is now renewed and **SEr** appears on the display.

8.1.2 - Address reported problems

Inspect any problems reported by the owner and correct before proceeding.

8.1.3 - Check all piping for gas leaks

1. Inspect all gas piping and verify to be leak free.

2. Check for gas leaks: using soap solution, check for gas leaks from meter to appliance including all pipes and fittings and heater connection. Use liquid soap solution for all gas testing.



CAUTION !!! Do not check for gas leaks with an open flame. Use the bubble test. Ignoring the bubble test or check for gas leaks with an open flame can cause explosion, severe personal injury, death, or substantial property damage.

8.1.4 - Verify flue and air lines in good condition and sealed tight;

1. Check for obstruction, condensation, corrosion and physical damage, water stains, any signs of rust, other corruptions or separation of the vent and air intake piping.

2. Check outside terminations. Screens and louvers should be free of any debris and must be cleaned as required.

8.1.5 - Check system water pressure/ system piping/expansion tank;

1. Check water piping and accessories for leaks. Slightest leaks should be corrected.

2. Check the system to be full of water and pressure to remain stable at correct setting on gauge.



CAUTION !!! Eliminate all system or heater leaks. Continual fresh makeup water will reduce heater life. Minerals can build up in sections, reducing heat transfer, overheating heat exchanger, and causing heat exchanger failure. Leaking water may also cause severe property damage.

8.1.6 - Check control settings

1. Set heaters setpoint low enough to end call for heat (see section 7.4. Gas valve should close and burner should stop firing. Fan will go into a post purge, then shuts off.

2. Control Safety Shutdown test: with the burner firing, close the manual gas shut off valve (detail "2" Figure 5-5). Gas valve should close and burner should stop firing. The boiler will try for ignition three times, then should lock out with a "Loc 1" error shown on the display. Open the manual gas shut-off valve, and verify your gas meter. Gas flow must be zero.

8 - MAINTENANCE



CAUTION !!! If gas flow occurs, close the manual gas shutoff valve and troubleshoot the system to determine why there is gas flow when the gas valve should be deenergized. Do not operate the boiler until the problem is resolved or a fire or explosion causing property damage, personal injury or loss of life may occur!

3. Press the "Reset" key to return to normal operation.

8.1.7 - Check wiring and connections

Inspect all heater wiring, making sure wires are in good condition and securely attached.

8.2 - Casing removal

Proceed as follows to remove the casing (refer to figure 8-1):

- 1.- loosen the screws "H";
- 2.- pull the lower part of the front-piece "B" towards the front and then slide it out upwards until it is released from the guides "C";

To access the command and control board:

- 1.- turn the command board "D" towards the front;
- 2.- open the commands board "D" by operating on closure "G";

To access the electric connections board:

- 1.- turn the command board "D" towards the front;
- 2.- slide lid "E" out by operating on the "F" closing flaps;

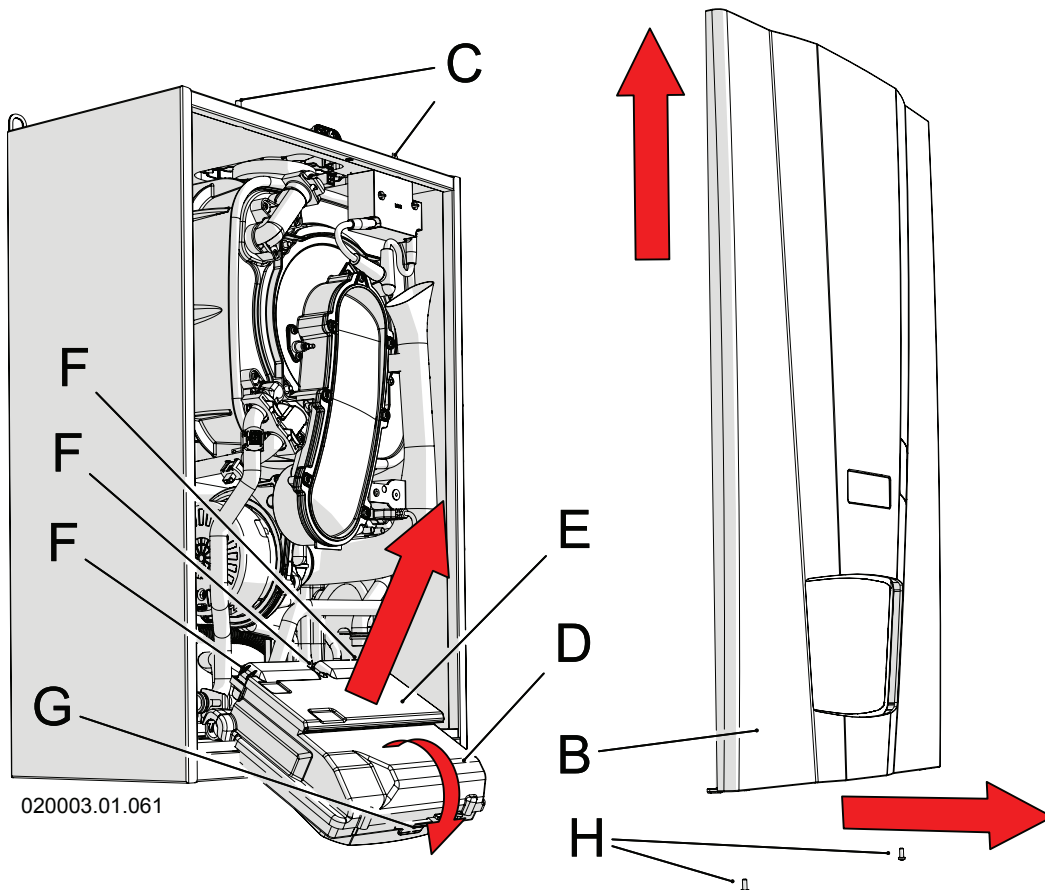


Figure 8-1 - removing the casing and opening of command board

8 - MAINTENANCE

8.3 - Burner and fan removal

Proceed as follows to remove the burner fan unit (refer to figure 8-2 when not differently specified):

- 1.- access the internal components following section 8.2;
- 2.- remove the air manifold (detail "C" in figure 6-3) rotating it towards the outside of the appliance and then pulling it towards the right (see figure 6-3);
- 3.- unscrew nut "C" from the valve "D";
- 4.- disconnect the cables "B" and the detection cable from the ignition and detection electrodes (details "15" and "35" of figures 3-1, 3-2, 3-3 and 3-4);
- 5.- unscrew the four nuts "E";
- 6.- extract the group "F" as per figure;

8.3.1 - Thermal insulations

Thermal insulations must be checked every year and replaced if they are cracked or damaged. See Figures 8-2 where the thermal insulations (items "G" and "H") are showed assembled in the burner and in the heat exchanger.

Once verified the condition of thermal insulation (see Figure 8-2), if necessary, replace with spare parts kit, following the instructions supplied with it. With the thermal insulation must be replaced the burner gasket "L" and the two gaskets of the electrodes.

8.4 - Gas burner and heat exchanger outer surface cleaning procedure

To correctly clean the burner and the heat exchanger (exhaust flue side), proceed as follows (refer to figure 8-2 when not differently specified):

- 1.- access the internal components following section 8.2;
- 2.- remove the burner unit following section 8.3;
- 3.- use a suction device to remove the unburned residues present inside the combustion chamber;
- 4.- pass a cylindrical brush with plastic bristles inside the combustion chamber
- 5.- use the same suction device on the surfaces of the burner and around the electrodes;
- 6.- re-mount the components in reverse order;
- 7.- open the gas isolation valve;
- 8.- restore the electric power supply.
- 9.- check that there are no gas leaks on all joints;



CAUTION!!! Perform the leak test using a soap solution. The use of flames is prohibited.



CAUTION!!! Every time you clean the burner and the heat exchanger verify the good condition of thermal insulation "G" and "H" (following section 8.3.1).

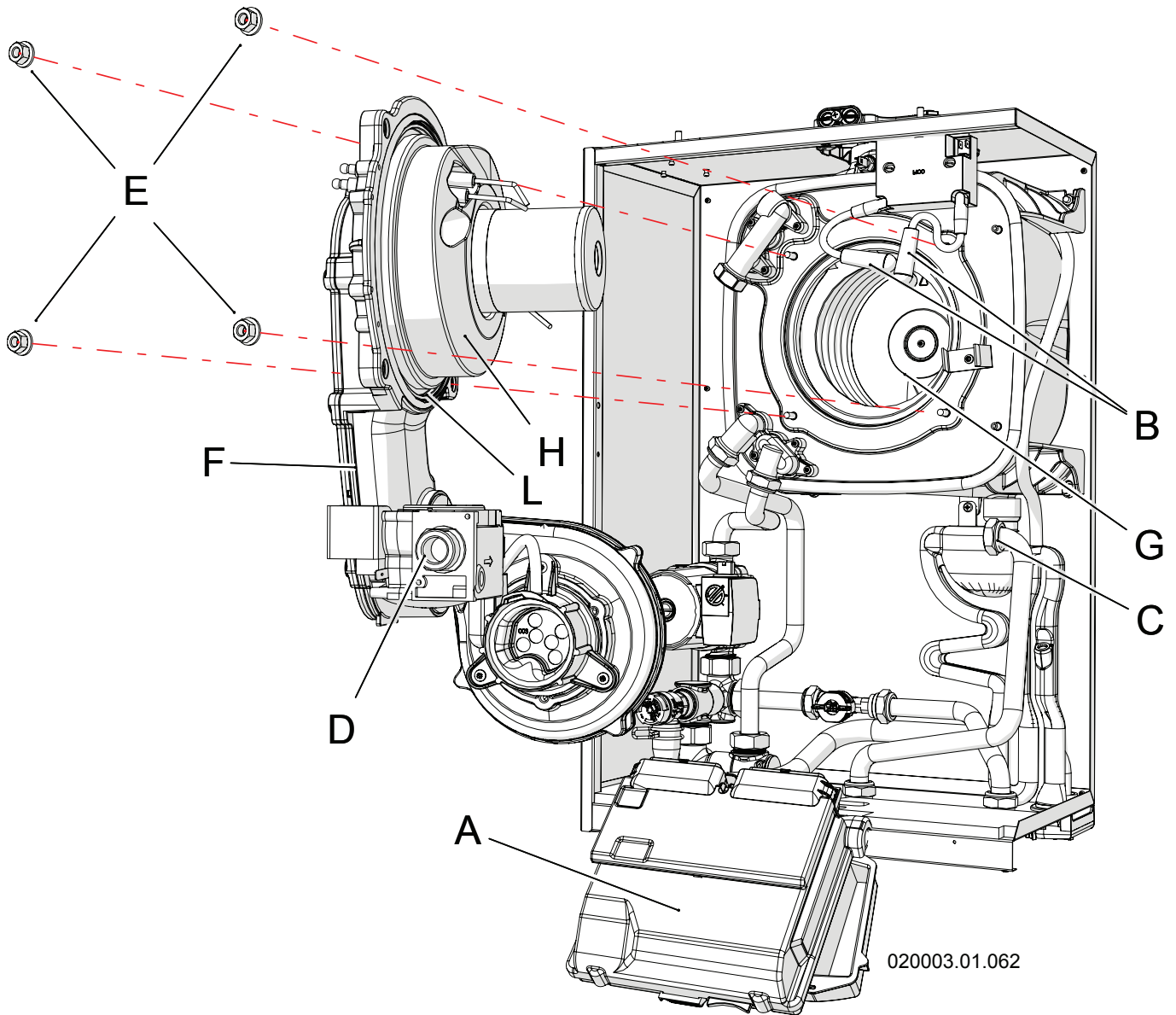


Figure 8-2 - Removing the burner fan unit

GASKET

HEAT EXCHANGER DOOR

020009.01.032

CAUTION!!! Gasket is intended for sealing combustion. If damaged **DO NOT** reuse it, the heat exchanger door must be replaced. Consult factory to replace heat exchanger door.

8.5 - Condensate siphon cleaning procedure

- For correct cleaning of the collection siphon and the conveying of the condensate produced by combustion, operate as follows (refer to the figures 8-3, 8-4 and 8-5):
- 1.- with the appliance on, open a domestic hot water tap or taps fully to force the burner to its maximum power and the level of the liquid present inside the siphon tank "D" lowers (see figure 8-4);
 - 2.- switch off the appliance and disconnect the electrical supply;
 - 3.- access the internal components following section 8.2;
 - 4 - remove the burner fan unit following section 8.3;
 - 5 - cover the electric box with a cloth to protect it from any residues of water inside the siphon to be removed.
 - 6.- slide the support "B" outwards from the holding support;
 - 7.- slide the tank "C" downwards, paying attention to the fact that it is full of condensate water and this could escape;
 - 8.- extract the siphon outwards (see figure 8-4) paying attention to disconnect the collection pipes of the water coming from the upper part of the appliance and from the air vent valve.
 - 9.- clean the decanting tank "D";
 - 10.- re-mount everything in reverse order, paying attention to the gasket "E", which is put back in the relevant seat and that terminal "G" is inserted correctly into seat "H";
 - 11.- restore the level of liquid inside the siphon following the procedure in section 6.1.2.

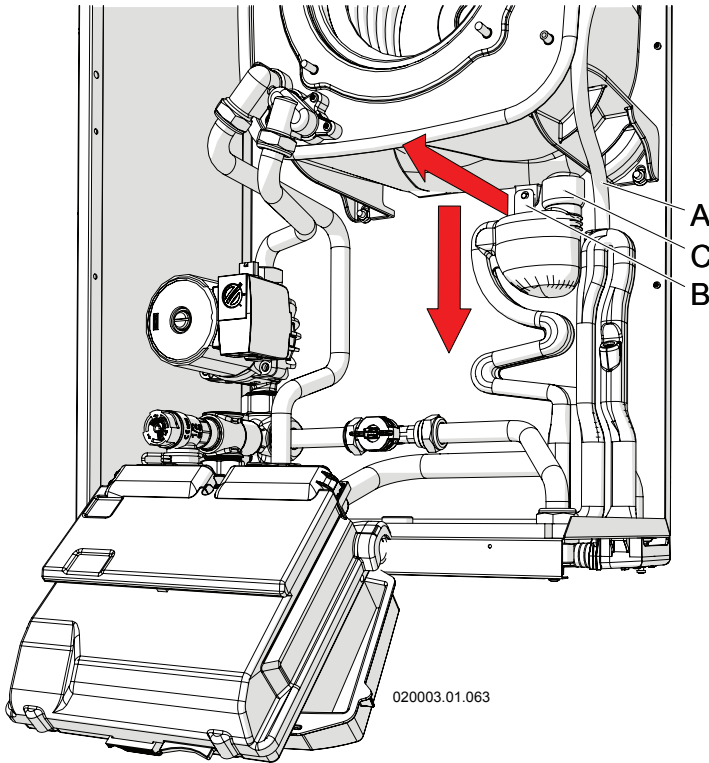


Figure 8-3 - Removal of the condensate collection siphon

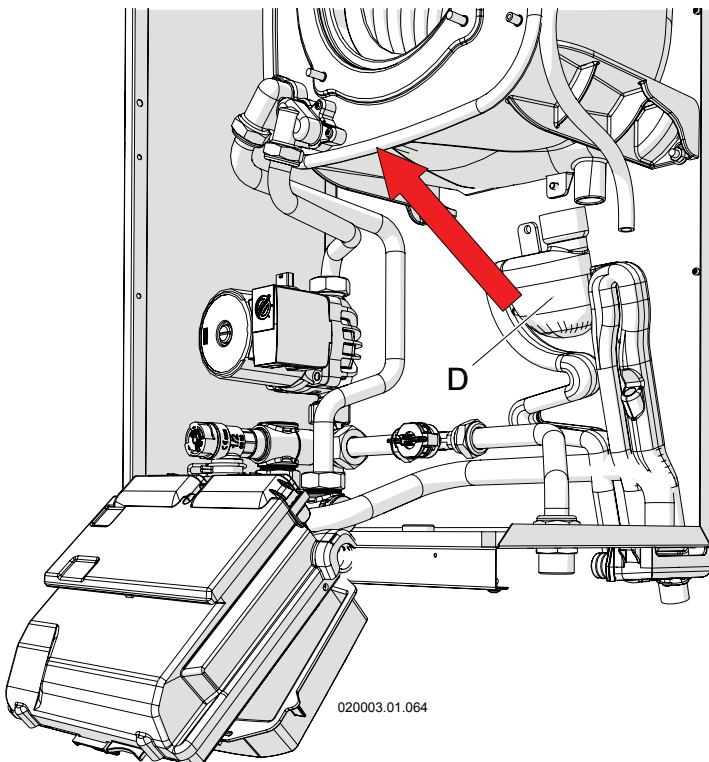


Figure 8-4 - Removing condensate collection siphon

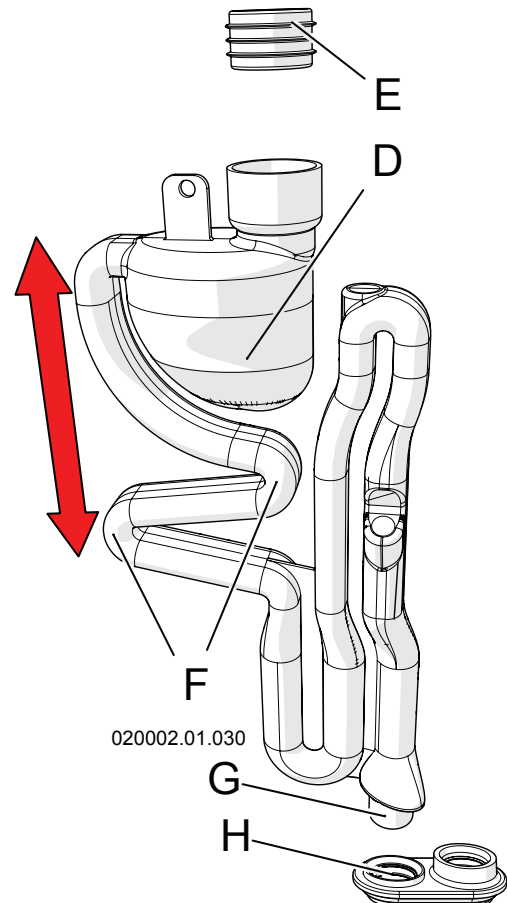


Figure 8-5 - Condensate collection siphon

8.6 - Ignition and ionisation flame electrodes position

For good working order of the appliance, it is indispensable that the electrodes are positioned correctly (refer to figure 8-6):

- the distance between the ignition electrodes "A" and "B", must be between 2,0 and 2,5 mm;
- the distance between the ignition electrodes from the burner surface must be between 5 and 5,5 mm;
- the distance of the ionisation electrode "C" from the surface of the burner must be between 5,5 and 6,5 mm.

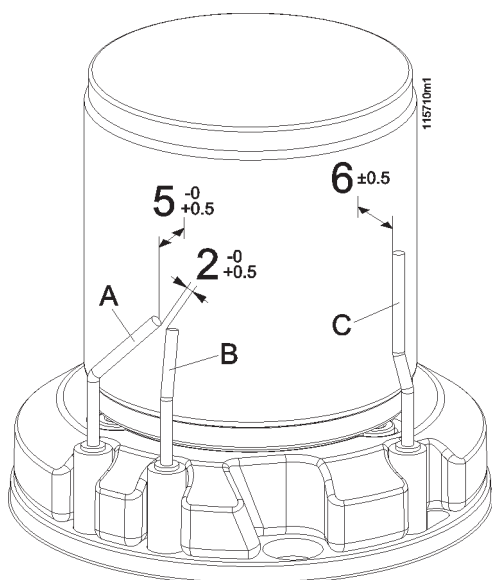


Figure 8-6 - positioning the electrodes on the burner

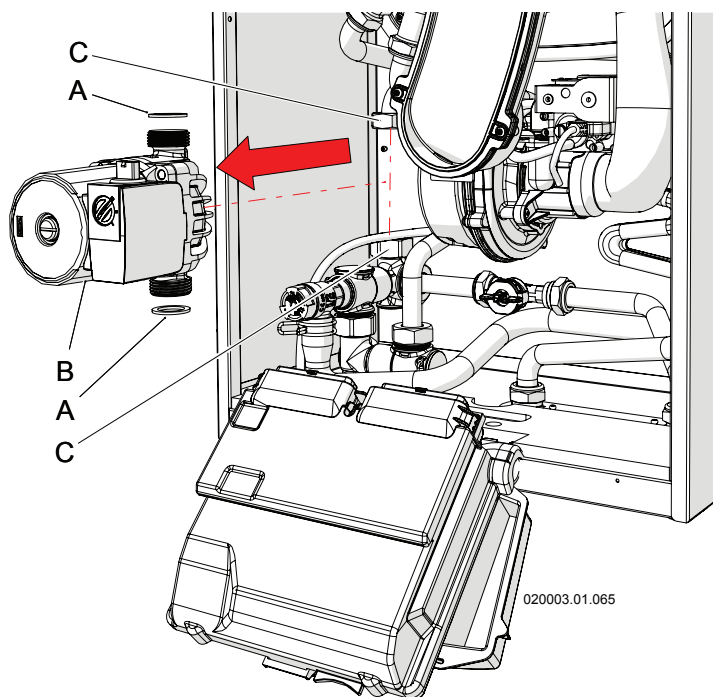


Figure 8-7 - Replacing the pump motor

8.7 - Circulation pump replacement procedure

Operate as follows if the pump must be replaced (refer to figure 8-7):

- 1.- empty the domestic hot water circuit, following the procedure in section 8.10;
- 2.- disconnect the electric power supply upstream from the appliance;
- 3.- access the components inside the appliance, following section 8.2;
- 4.- disconnect the electric cables from the pump body.
- 5.- loosen the nuts "C";
- 6.- extract the pump "B" outwards and replace it.

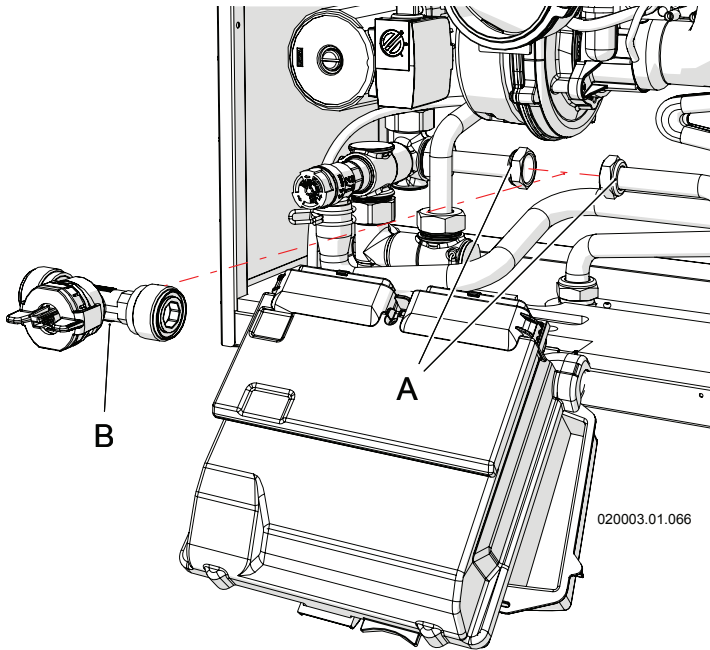


Figure 8-8 - Removing the flow meter

8.8 - Domestic water flow meter replacement procedure

Proceed as follows, making reference to figure 8-8:

- 1.- empty the domestic hot water circuit, following the procedure in section 8.10;
- 2.- disconnect the electric power supply upstream from the appliance;
- 3.- access the components inside the appliance, following section 8.2;
- 4.- disconnect the cables from the flow meter (detail "B" in figure 8-8);
- 5.- unscrew nuts "A", paying attention that the residual water from the pipes does not reach the control board;
- 6.- slide the flow meter "B" upwards and replace it.

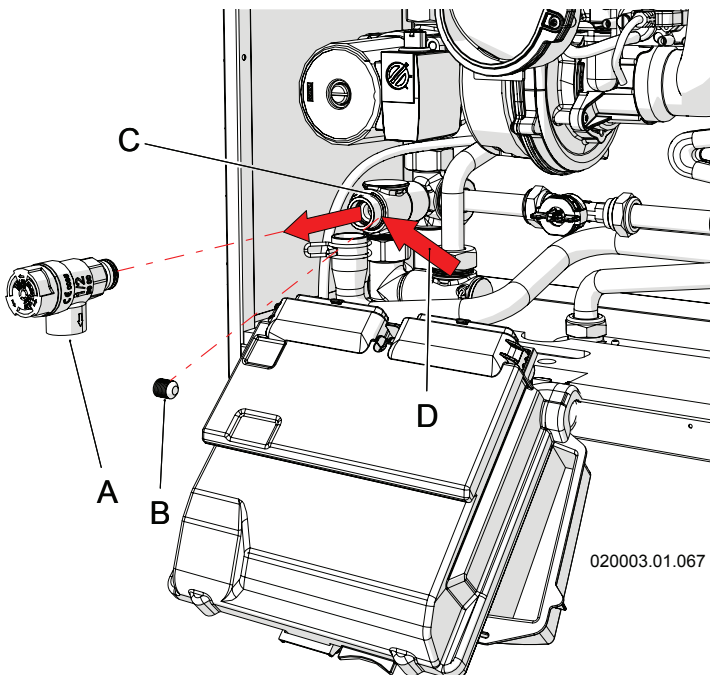


Figure 8-9 - Removing the safety valve

8.9 - Safety pressure relief valve replacement procedure

The safety valve (detail "A" in figure 8-9) protects the appliance from over pressures. If it has to be replaced, proceed as follows (refer to figure 8-9):

- 1.- empty the domestic hot water circuit, following the procedure in section 8.10;
- 2.- access the components inside the appliance, following section 8.2;
- 3.- disconnect the drain pipe from the valve to be replaced "A";
- 4.- unscrew the fixing dowel "B";
- 5.- unscrew the lower fixing disk of valve "A";
- 6.- extract the safety valve "A" and replace it.

8 - MAINTENANCE

8.10 - Procedure for draining the water heater

To empty the appliance proceed as follows (see figure 5-5):

- 1.- close the isolation valves "10" and "3";
- 2.- connect a drain pipe to drain valves "4";
- 3.- open the drain valves "4";
- 4.- if there is a risk of freezing it is recommended to empty all the water in the exchanger by blowing air into a tap with a compressor (pressure less than 3 bar).

8.11 - Fan test mode procedure

Switch-on of the fan only can be generated, accessing the parameter **20 10** situated inside the "Installer menu" (see section 7.8) and set it on **FAN**. To go back to normal operating conditions, set parameter **20 10** again to **OFF**.

8.12 - Gas burner minimum and maximum power test mode procedure

Appliance operation can be forced to its own minimum, maximum power. Proceed as follows:

- 1.- access parameter **20 10** found in the "installer menu" (see section 7.8);
- 2.- set the parameter **20 10** at the following value:
 - a) **LOW** to force the appliance to minimum power;
 - b) **IGN** to force the appliance to ignition power;
 - a) **HIGH** to force the appliance to maximum power;
 - a) **REG** to force the appliance to maximum power.
- 4.- to end forcing, take the parameter **20 10** to the **OFF** value and press the RESET key.

8.13 - Checking the ionisation current

In any operating status, also during verifications of minimum and maximum power stated in section 8.12, the ionisation current value can be consulted on parameter **1008** present in the "User menu" (section 7.7). This value must be between 1.5 and 3 uA (microampere) at minimum power and between 5 and 8 uA at maximum power.

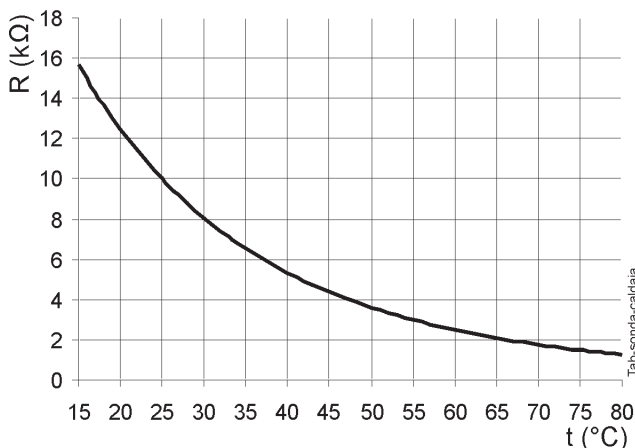


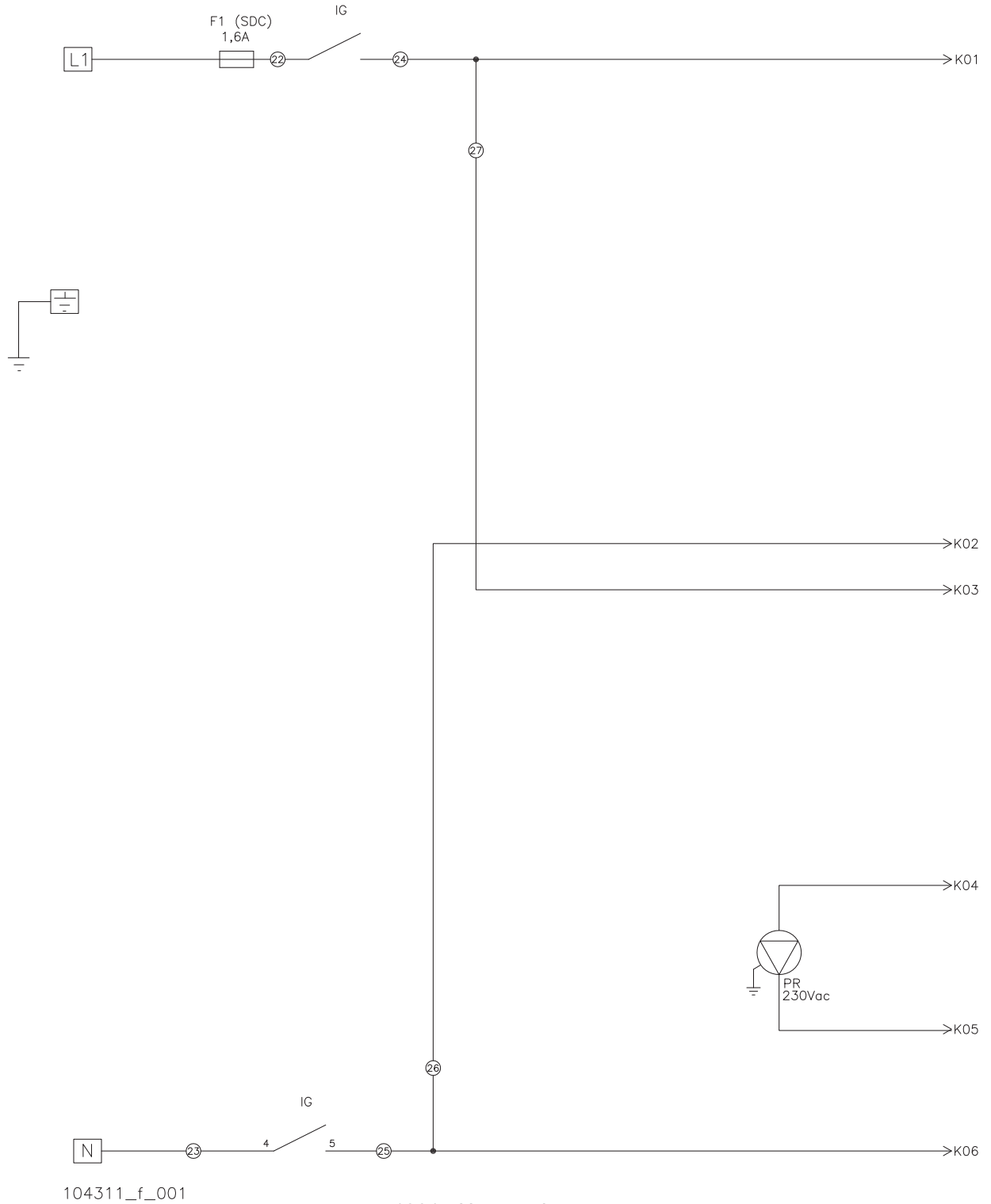
Figure 8-10 - Water sensors curve

8.14 - Water temperature sensor testing procedure

The temperature sensors are positioned on the appliances exchanger body. The electric resistance existing between the two contacts of the sensor, must correspond with that stated in figure 8-10.

The temperature sensors are: **1001**, **1002**, **1005**, **1006** and **1007**, the positioning of which can be verified in figures 3-1, 3-3 and 3-4.

8.15 - Electrical connections



→ K1 K1 →

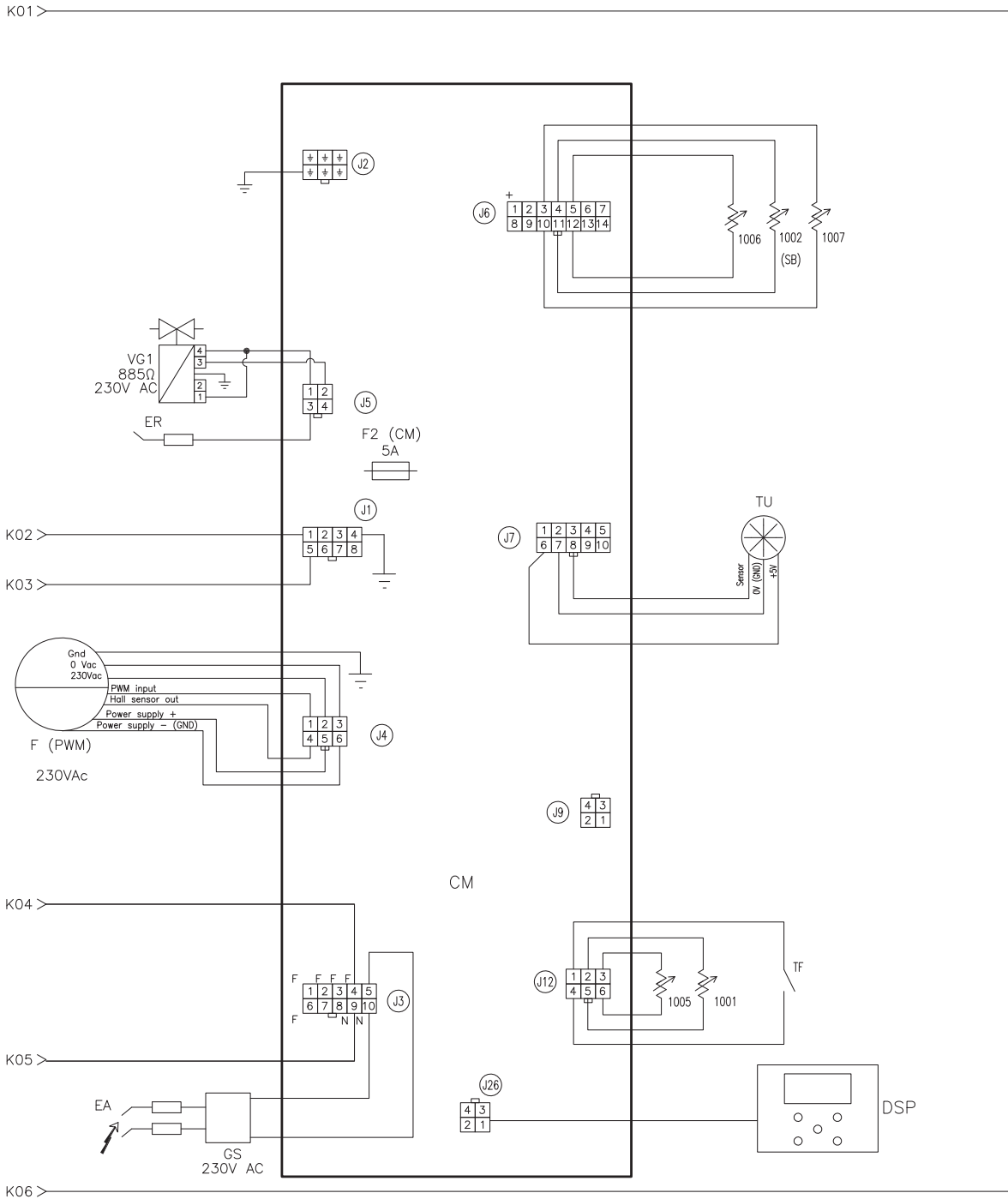
104111m0_esempio

CAUTION !!! To consult the wiring diagram correctly, references K are given followed by a number (see example above) to identify the correct follow-on of the cables in the next page.

- 1001 - Heat exchanger output sensor
- 1002 - D.H.W. outlet temperature sensor
- 1005 - Heat exchanger output sensor 2
- 1006 - Exhaust flue sensor 1
- 1007 - Cold water inlet sensor
- CM - Appliance control unit and flame control
- DSP - Display
- EA - Ignition electrode
- ER - Flame detection electrode
- F (PWM) - PWM fan
- F1 (SDC) - 1.6A fuse
- F2 (CM) - 5A fuse
- PR - Inner Pump

Figure 8-11 - Operational wiring diagram

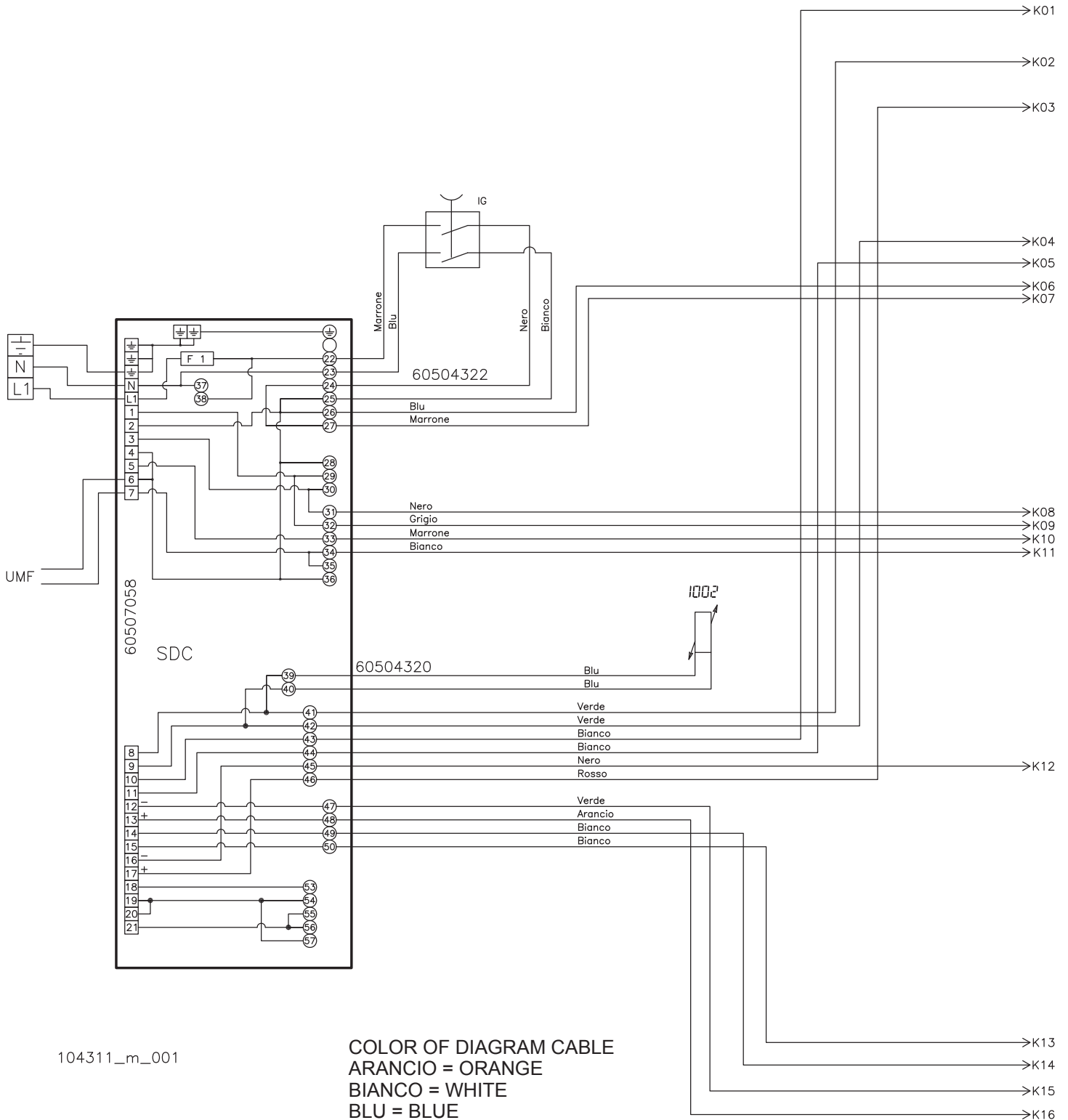
8 - MAINTENANCE



- GS - Spark generator
- IG - Main electrical switch
- J1 - 8 pin Molex connector
- J12- 6 pin Molex connector
- J2 - 6 pin Molex connector
- J26- 4 pin Molex connector
- J3 - 10 pin Molex connector
- J4 - 6 pin Stelvio connector
- J5 - 4 pin Molex connector
- J6 - 14 pin Molex connector
- J7- 10 pin Molex connector
- J9- 4 pin Molex connector
- SDC- Connection board

- TF- High limit flue gas temperature fuse
- TU - Domestic hot water flow meter
- VG1- Gas Valve

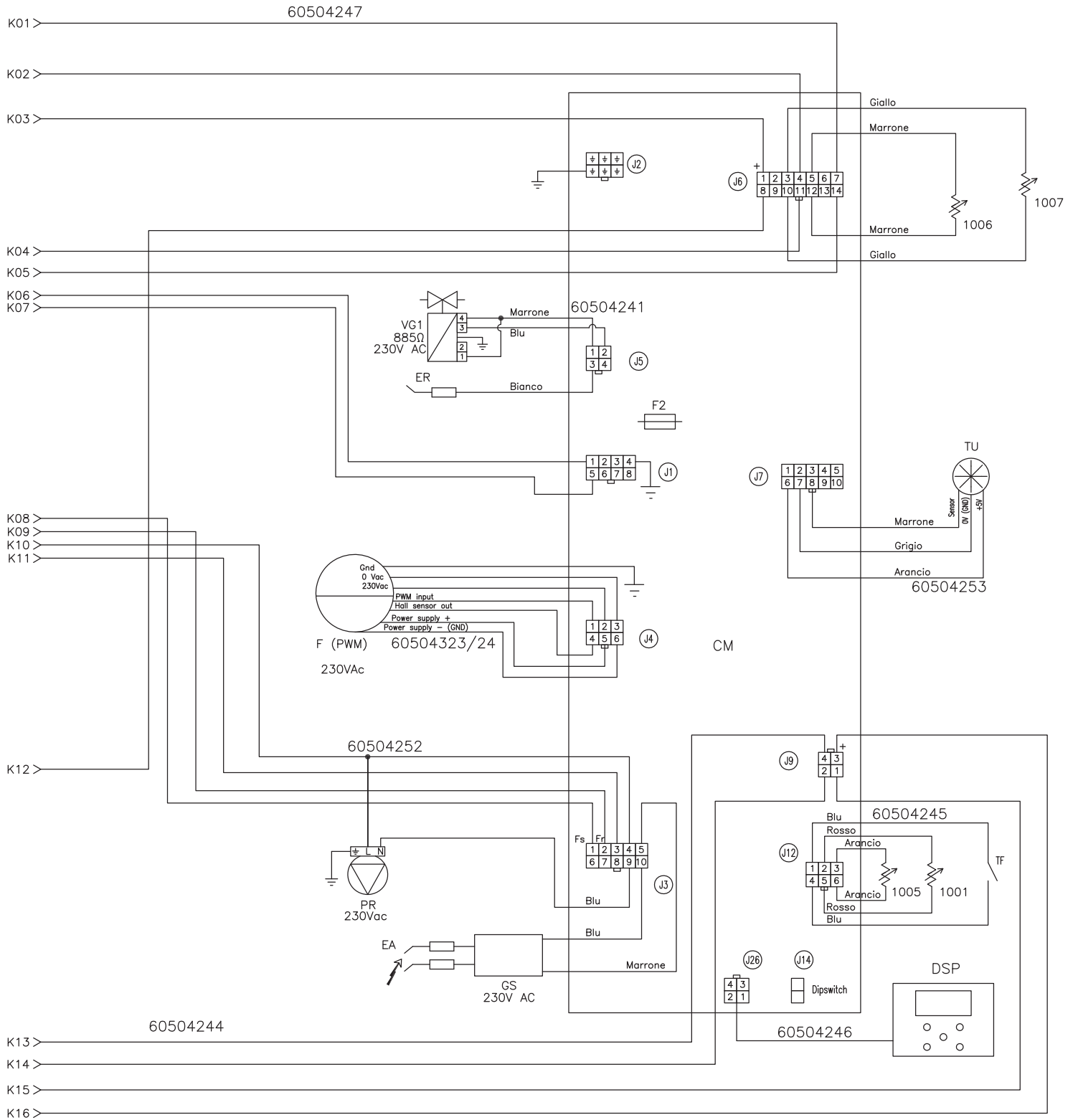
8.16 - Internal multi-core wiring diagram



Key - see key figure 8-11

Figure 8-12 - Multi-core colours wiring diagram

8 - MAINTENANCE












9 - TECHNICAL DATA

TECHNICAL DATA		UM	IM 550	IM 750	IM 1250
Type (Type of exhaust flue/combustion air intake)			B23; C13; C33; C43; C53; C63; C83;93		
Category			I12H3P	I12H3P	I12H3P
CE type certificate (PIN)			0476CQ1097	0476CQ1097	0476CQ1097
Max. heat input NET (GROSS)		kW	25,5 (28,3)	32,0 (35,5)	57,8 (64,2)
Min. heat input NET (GROSS)		kW	3,2 (3,6)	6,0 (6,7)	12,0 (13,3)
Max. useful heat output		kW	27,0	33,5	60,9
NET Efficiency at max. useful heat output (GROSS)		%	106 (96)	105 (95)	107 (96)
Min. useful heat output		kW	3,30	6,14	12,85
NET Efficiency at min. useful heat output (GROSS)		%	103 (93)	102 (92)	107 (96)
Gas flow rate	G20	m³/h	2,70	3,38	6,11
	G31	Kg/h	1,98	2,48	4,49
Gas supply pressure	G20	mbar	20	20	20
	G31	mbar	37	37	37
Gas supply minimum pressure	G20	mbar	15	15	15
	G31	mbar	15	15	15
Gas supply maximum pressure	G20	mbar	45	45	45
	G31	mbar	45	45	45
Instantaneous D.H.W. adjustment range		°C	40-75	40-75	40-75
D.H.W. flow rate (Δt 30°C)		l/min	13,0	16,1	29,5
Domestic circuit maximum pressure		bar	10	10	10
Domestic circuit minimum pressure		bar	1	1	1
Minimum water flow		l/min	2,5	2,5	2,5
Rated power supply voltage		V	230	230	230
Rated power supply frequency		Hz	50	50	50
Absorbed electric power		W	169	162	235
Electric protection degree			IPX4D	IPX4D	IPX4D
Exhaust flue and air intake pipe diameter (twin-pipe)		mm	80	80	80
Exhaust flue pipe max. length (twin-pipe) (80)		m	20	12,5	5
Air intake pipe max. length (twin-pipe) (80)		m	20	12,5	5
Exhaust flue pipe diameter (concentric)		mm	60/100	60/100	80/125
Exhaust flue pipe max. length (concentric)		m	10	10	10
Equivalent length of a bend		m	45° bend = 0.5m, 90° bend =1m		
Weighted CO (0% O2 with natural gas) (EN26:2015) GROSS		ppm	11	19	10
Weighted NOx (0% O2) (EN26:2015) GROSS	G20	mg/kWh	20	29	16
Weighted NOx (0% O2) (EN26:2015) GROSS	G31	mg/kWh	24	34	20
CO2 (%) at minimum/maximum power	G20	%	8,5/9,0	8,5/9,0	8,3/8,7
	G31	%	10,0/10,5	10,0/10,5	10,8/10,1
Exhaust flue gas maximum temperature at appliance outlet		°C	90	90	90
Mass flow rate of exhaust flue gases		kg/h	41,9	52,5	97,8
Head available at exhaust flue outlet		Pa	60	60	60
Exhaust flue gas maximum temperature for overheating		°C	90	90	90
Max. negative pressure in exhaust flue system		Pa	60	60	60
Condensate maximum flow rate		l/h	3,2	4,0	7,2
Condensate average acidity		PH	4	4	4
Operating environment temperature		°C	0 ; +50	0 ; +50	0 ; +50
Weight of the appliance		kg	36	36	48

10 - COMMAND MENU DIAGRAM

Key for figure 10-1

Symbol	Description
	Press and release the RESET key
	Hold the reset key down for a time in seconds, indicated by the number (2)
	Hold the reset key down for a time in seconds, indicated by the number (5)
	Hold down the RESET and  key simultaneously for a time in seconds, indicated by the number
	Press and release the  key
	Press and release the  key

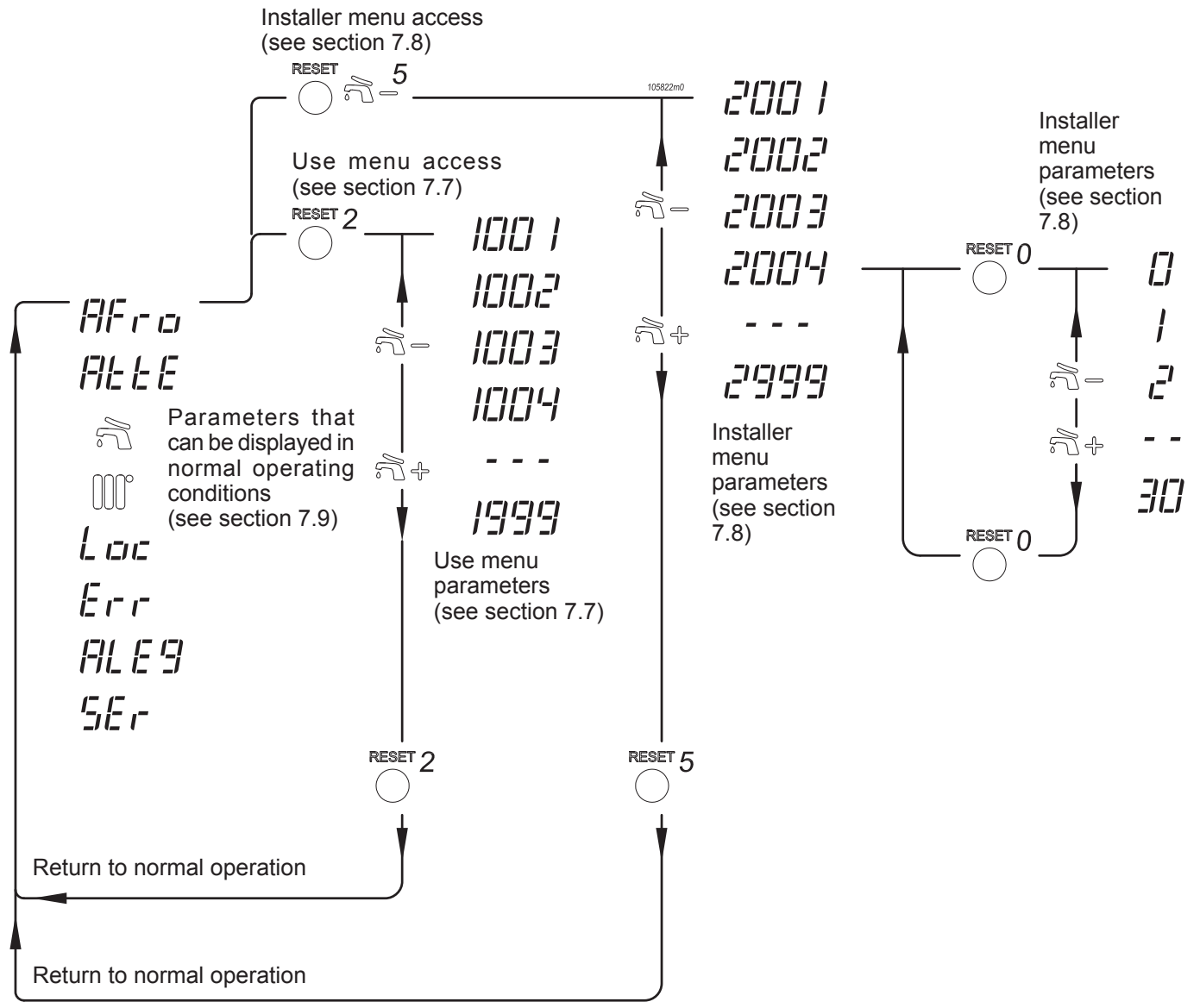


Figure 10-1 - Command menu diagram

11 - ENGINEERS TEST MODE



CAUTION !!!

The modification of these parameters could cause the appliance, and therefore the plant, to malfunction. For this reason only a technician that has the awareness and in-depth knowledge of the appliance can modify them.

To access this menu, move the switch in the board as stated in figure 6-6 detail "B".

Parameter	Parameter Description	M.U.	Setting range	Factory value	Customised value
3001	Cascade adress (N/A)	(N/A)	(N/A)	0	(N/A)
3002	Selection type		From 50 to 55	See figure 6-8	
3012	Domestic hot water operating mode	/	0 = DO NOT USE ; 1 = Storage tank with temperature sensor; 2 = Storage tank with thermostat; 3 = DO NOT USE ; 4 = DO NOT USE ; 5 = DO NOT USE ; 6 = DO NOT USE ; 7 = DO NOT USE ; 8 = Instantaneous water heater;	8	
3013	Plant fill automatic valve (N/A)	(N/A)	(N/A)	0	(N/A)
3014	Instantaneous domestic hot water pre-heat	/	OFF = No pre-heat ON = With pre-heat	OFF	(N/A)
3015	Maximum central heating temperature (N/A)	(N/A)	(N/A)	80	(N/A)
3016	Minimum central heating temperature (N/A)	(N/A)	(N/A)	30	(N/A)
3017	Pre-heat mode (N/A)	(N/A)	(N/A)	0	(N/A)
3018	Minimum DHW temperature	°C	From 30 to 75	40	
3019	Maximum DHW temperature	°C	From 30 to 75	60	
3020	Domestic hot water flow rate sensor	/	0 = B; 1 = DN 8; (IM 550) 2 = DN 10; 3 = DN 15; (IM 750 and 1250) 4 = DN 20; 5 = DN 25;	1 (IM 550) 3 (IM 750) 3 (IM 1250)	
3021	2nd Exhaust flue sensor (1014) (N/A)	(N/A)	(N/A)	0	(N/A)
3022	Central heating minimum pressure (N/A)	(N/A)	(N/A)	0,8	(N/A)
3023	Water pressure sensor	/	0 = Disabled; 1 = Enabled;	0 (IM 550) 0 (IM 750) 0 (IM 1250)	
3033	Modulating pump (N/A)	(N/A)	(N/A)	0	(N/A)
3034	Modulating pump delta T target (N/A)	(N/A)	(N/A)	15	(N/A)
3040	Antilegionella for water heater	/	ON = Antilegionella enable OFF = Antilegionella disabled	ON	
3041	Tank supply temperature increase	°C	From 0 to 30	0	
3042	Minimal water flow	l/min	From 0 to 25,5	2,5	

N/A = Not applicable



Declaration of Conformity

Distributor:

Lochinvar Ltd
7 Lombard Way, The MXL Centre, Banbury, Oxon,
OX16 4TJ
United Kingdom

hereby declares that the following water heating products:

Product description: Gas-fired condensing instantaneous water heater
Product family name: Impetus
Product models: IM 550, IM 750, IM 1250

are, provided that the appliances are installed according to the installation manual, compliant to these European Directives:

- **Gas Appliance Directive (GAD) - 2009/142/EC**
 - EN 26:2015

- **Low Voltage Directive (LVD) - 2014/35/EC**
 - EN 60335-1:2012
 - EN 60335-2-102:2006

- **Electro Magnetic Compatibility Directive (EMC) - 2014/30/EC**
 - EN 55014-1:2007
 - EN 55014-2:2015
 - EN 61000-3-2:2014
 - EN 61000-3-3:2013

- **Eco-Design Directive (ErP) - 2009/125/EC**
 - Commission Regulation No. 814/2013

- **Energy Labelling Directive - 2010/30/EC**
 - Commission Regulation No. 812/2013

and are conform the tested type as reported in the EC Type-Examination report by KIWA CERMET ITALIA SpA with report number **141201097**

Company:

Lochinvar Ltd

Place and date:

Banbury, April 2016

D. Pepper
Managing Director

13 - WARRANTY

To register your warranty, you should complete and return the enclosed warranty card.

General warranty

If, after verification and at the sole discretion of **Lochinvar**, a component or part (with exclusion of the stainless steel heat exchanger) of a water heater supplied by **Lochinvar** proves within two years of the original installation date to be defective or fails to function correctly due to manufacturing and/or material defects, then **Lochinvar** shall repair or replace this component or part.

Heat exchanger warranty

If, after inspection and at the sole discretion of **Lochinvar**, the stainless steel heat exchanger of a water heater supplied by **Lochinvar** proves within 3 years of the original installation date to be leaking due to corrosion occurring on the water side, then **Lochinvar** shall offer to replace the defective water heater with an entirely new water heater of equivalent size and quality. The warranty period given on the replacement water heater shall be equal to the remaining warranty period of the original water heater that was supplied. Notwithstanding that in the event that unfiltered water is used, the warranty shall be reduced to one year from the original installation date.

Conditions for Installation and Use

The warranty set out in Articles 1 and 2 will apply solely under the following conditions:

- The water heater is installed under strict adherence to **Lochinvar** installation instructions for the specific model, and the relevant government and local authority installation and building codes, rules and regulations in force at the time of installation.
- The water heater remains installed at the original site of installation.
- The water heater is used exclusively with drinking water.
- The heat exchanger is safeguarded against harmful scaling and lime build-up by means of periodic maintenance according to the Installation-, User-, Maintenance and Service manual.
- The water temperatures in the heater do not exceed the maximum setting of the thermostats, which form a part of the water heater.
- The water pressure and/or heat load do not exceed the maximum values stated on the water heater rating plate.
- The water heater is installed in a non-corrosive atmosphere or environment.
- The water heater is connected to a protected cold water supply arrangement, which is approved by the relevant authority; with sufficient capacity for this purpose; supplying a water pressure no greater than the working pressure stated on the water heater; in compliance with the government and local authority installation and building codes, rules and regulations.

Exclusions

The warranty set out in Articles 1 and 2 will not apply in the event of:

- damage to the water heater caused by an external factor;
- misuse, neglect (including frost damage), modification, incorrect and/or unauthorised use of the water heater and any attempt to repair leaks;
- contaminants or other substances having been allowed to enter the water heater and/or heat exchanger k;
- the hardness (alkaline earth ions) of the water exceeding 11.2 °dH (equals 20 °fH, 14 eH, 2.0 mmol/litre CaCO₃ or 200 ppm CaCO₃).
- unfiltered, recirculated water flowing through in the water heater;
- any attempts at repair to a defective water heater other than by an approved service engineer.
- damage to the water heater due to excessive lime deposits in the heat exchanger caused by improper or negligent maintenance.

Scope of the warranty

The obligations of **Lochinvar** by virtue of the warranty provided do not extend beyond delivery free of charge from the warehouse of the parts or components or water heater to be replaced; transport, labour, installation and other costs associated with the replacement shall not be borne by **Lochinvar**.

Claims

A claim on grounds of the specified warranty must be submitted to the dealer from whom the water heater was purchased, or to another authorised dealer for **Lochinvar** Water Products Company products. Inspection of the water heater as referred to in articles 1 and 2 shall take place in one of the laboratories of **Lochinvar** Water Products Company.

Obligations of Lochinvar

Lochinvar grants no other warranty or guarantee over its water heaters nor the (assemblies or parts of) water heaters supplied for replacement, other than the warranty expressly set out in these articles.

Under the terms of the supplied warranty, **Lochinvar** is not liable for damage to persons or property caused by (assemblies or parts of) a (replacement) water heater that it has supplied.

14 - PRODUCT FICHE

INFORMATION	SYMBOL	UNIT	VALUE		
Trademark	-	-	Lochinvar		
Model identifier	-	-	IM 550	IM 750	IM 1250
Load Profile ¹	-	-	XL	XXL	XXL
Water heating energy efficiency class	-	-	A	A	A
Water heating energy efficiency	η_{wh}	%	90,0	91,6	87,9
Annual electricity consumption	AEC	kWh	61	55	61
Daily electricity consumption	Qelec	kWh	0,276	0,249	0,280
Annual fuel consumption	AFC	CJ GCV	16	21	22
Daily fuel consumption	Qfuel	kWh	20,917	26,160	27,205
Other load Profile ²	-	-	-	-	-
Water heating energy efficiency for other load profile	η_{wh}	%	-	-	-
Annual electricity consumption for other load profile	AEC	kWh	-	-	-
Annual fuel consumption for other load profile	AFC	CJ GCV	-	-	-
Thermostat temperature setting	-	°C	57	56	56
Indoor sound power level	L_{WA}	dB	59	61	66
Work only during off-peak hours	-	-	-	-	-
Smart control	-	-	-	-	-
Precautions during assembling, installation or maintenance	See installation, user and service manual of the product				

¹ According commission delegated regulation (EU) No 812/2013

² According commission delegated regulation (EU) No 814/2013



IMPORTANT INFORMATION

These instructions must be read and understood before installing, commissioning, operating or maintaining the equipment.

