

EcoCharger Hybrid Gas Fired Condensing Water Heater with Intergrated Coil

Installation, Commissioning,
User & Maintenance Instructions

Models:

HWHC 44-370 G CE and PG CE

HWHC 63-370 G CE and PG CE

LV311746 | March 2025





IMPORTANT INFORMATION

These instructions must be read and understood before installing, commissioning, operating or maintaining the equipment.

Preface

Copyright

Copyright © 2016 Lochinvar Ltd.

All rights reserved.

Nothing from this publication may be copied, reproduced and/or published by means of printing, photocopying or by whatsoever means, without the prior written approval of Lochinvar Ltd..

Lochinvar Ltd. reserves the right to modify specifications in this manual.

Trademarks

Brand names in this manual are registered trademarks of their respective owners.

Warranty

Refer to the appendix [Warranty](#) (see section 12.9) for the warranty provisions.

Liability

Lochinvar accepts no liability for claims from third parties caused by:

- unauthorized use
- use other than stated in this manual
- use other than in accordance with the General Conditions registered at the Chamber of Commerce.

For more information, refer to the General Conditions. These are available on request, free of charge.

We believe that this manual provides you with accurate and complete descriptions of all relevant components. If you, nonetheless find errors or inaccuracies in this manual, please inform Lochinvar. This helps us to further improve our documentation.

Compliance

To safely produce domestic hot water, the design and construction of the HWHC water heaters is in accordance with:

- the European Regulations 2016/426 on appliances burning gaseous fuels (GAR).
- the European Standard for Gas-fired storage water heaters for the production of domestic hot water (EN89).
- The European ECO-Design Directive.
- The European Energy Labeling Directive

Refer to the appendix Declaration of conformity.

Regulations

It is law that all gas appliances are installed by competent persons, in accordance with The Gas Safety (Installation and Use) Regulations 1998. Failure to install appliances correctly could lead to prosecution. It is in your own interest, and that of safety, to ensure that this law is complied with. The installation of the equipment **MUST** be in accordance with the relevant requirements of the Gas Safety Regulations, Building Regulations, I.E.E. Regulations and the bylaws of the local water undertaking. The installation should also be in accordance with any relevant requirements of the local gas distributor and local authority.

In addition the installation should follow the relevant guidance offered in the following documents. It is not practical to list all relevant information but emphasis is placed on the following documents, as failure to comply with the guidance given will almost certainly result in an unsatisfactory installation:

- BS EN 1858: 2008 + A1: 2011
Chimneys. Components. Concrete flue blocks.
- BS 5440-1: 2008
Flueing and ventilation for gas appliances of rated input not exceeding 70 kW net (1st, 2nd and 3rd family gases). Specification for installation of gas appliances to chimneys and for maintenance of chimneys.
- BS 5440-2: 2009
Installation and maintenance of flues and ventilation for gas appliances of rated input not exceeding 70 kW net (1st, 2nd and 3rd family gases). Specification for installation and maintenance of ventilation for gas appliances.
- BS 6644: 2011
Specification for Installation of gas-fired hot water boilers of rated inputs between 70 kW (net) and 1.8 MW (net) (2nd and 3rd family gases).
- BS 6700: 2006 +A1: 2009
Design, installation, testing and maintenance of services supplying water for domestic use within buildings and their curtilages.
- BS 6880: 1988 Parts 1, 2 and 3
Code of practice for low temperature hot water systems of output greater than 45 kW.
- BS 7074: 1989 Parts 1 and 2
Application, selection and installation of expansion vessels and ancillary equipment for sealed systems.
- BS 7671: 2008 + A1: 2011
Requirements for electrical installations, I.E.E. wiring regulations seventeenth edition.
- BS 7671: Amendment 2: August 2013
- CP 342 (Part 2 1974):
Code of practice for centralised hot water supply-buildings other than dwellings.

If the HWHC water heater is to be used in an unvented system installation, the system should follow the guidance given in BS 6700, BS 8558 and must comply with the Building Regulations 1992: Part G3, in England and Wales, P5 in Northern Ireland and P3 in Scotland and the Water Supply (Water Fittings) Regulations 1999, The Water Supply (Water Quality) Regulations (Northern Ireland) 2017 and the Public Water Supplies (Scotland) Amendment Regulations 2017.

A kit of parts is available from Lochinvar.

Institute of Gas Engineers and Managers (IGEM) Publications

- IGE/UP/1 - Edition 2:
Installation pipework on industrial and commercial premises.
- IGE/UP/2:
Gas installation pipework, boosters and compressors on industrial and commercial premises.
- IGE/UP/4 - Edition 3:
Commissioning of gas-fired plant on industrial and commercial premises.
- IGE/UP/10 - Edition 3:
Installation of flued gas appliances in industrial and commercial premises.

Gas Safety (Installation and Use) Regulations 1998

- CIBSE: Guides
- Part A Environmental Design
- Part G Public health engineering
- H.S.E. guidance
- INDG 436 Safe management of industrial steam & hot water boilers
- SAFED BG01 Guidance on safe operation of boilers
- Third edition of the 1956 Clean Air Act Memorandum on Chimney Heights



Note

Manufacturer's notes must not be taken in any way as overriding statutory obligations.

Contact information

In the event of problems with your gas, electricity or water supply connections or when you have any comments or questions, please contact your supplier.

About this manual

Scope

This manual gives information about safe and correct use of the water heater and how installation, maintenance and service activities have to be done correctly. You must obey the instructions in this manual.



Caution

Read this manual carefully before you start the water heater. It can cause personal injury and damage to the water heater when you do not read the manual and/or do not obey the instructions.

The purpose of this manual is to:

- describe the working principles and layout of the water heater
- explain the safety devices
- highlight possible hazards
- describe the use of the water heater
- describe the installation, service and maintenance of the water heater

This manual has two parts:

- An User part that describes the correct usage of the water heater.
- An Installation, Maintenance and Service part, that describes the correct installation and maintenance procedures.

Target group

The information in this manual applies to three target groups:

- users
- installation engineers
- service and maintenance engineers

The User part is intended for the (end) users. The Installation, Maintenance and Service part is intended for the installation engineers and the service and maintenance engineers.

Notation conventions

This manual uses the following text conventions:

- Numbers between parentheses e.g. (1), refer to elements in a figure that are described by the text.
- Texts displayed on the user interface always are shown similar to the characters in the display, for example WEEK PROGRAM, SETTINGS.
- Buttons are always shown between brackets, for example: **[↑]**, **[ENTER]**, **[RESET]**.
- Cross-references to sections, tables, figures etc. are underlined and written as (see section "..."). In the digital version, the cross-references function as hyperlinks that can be used to navigate through the manual by clicking on them. Example: Safety (see section 2).

This manual contains the following text styles/symbols for situations that may endanger users/engineers, cause damage to equipment or need special attention:



Note

A note gives more information on a topic.



Caution

Obey the caution instructions to prevent damage of the water heater.



Warning

Obey the warning instructions to prevent danger of personal injury, and serious damage to the water heater.

Document identification

Article number	Language	Version
0311746	EN	2.9

Table of Contents

Preface.....	3
Copyright.....	3
Trademarks.....	3
Warranty.....	3
Liability.....	3
Compliance.....	4
Regulations.....	4
Contact information.....	5
About this manual.....	7
Scope.....	7
Target group.....	7
Notation conventions.....	7
Document identification.....	8
User part.....	13
1 Introduction.....	15
2 Safety.....	17
3 Interface.....	19
3.1 Operator interface.....	19
3.2 Explanation of icons.....	19
3.3 Control switch.....	20
3.4 Buttons.....	20
3.5 PC connection.....	21
3.6 Status of the water heater.....	21
3.6.1 Operating modes.....	21
3.6.2 Error conditions.....	22
3.6.3 Service conditions.....	23
3.6.4 Anode warning.....	23
3.6.5 Q/T Sensor warning.....	23
3.6.6 Collector temperature warning.....	23

4	Use.....	25
4.1	Turn on the water heater.....	25
4.1.1	The appliance's heating cycle.....	25
4.2	Turn off the water heater.....	27
4.2.1	Turn off for a short period.....	27
4.2.2	Isolate from the mains.....	27
4.2.3	Turn off for a long period.....	28
4.3	Main menu.....	28
4.3.1	Notation conventions for menu-related instructions.....	29
4.3.2	Switching to ON mode.....	29
4.3.3	Setting the water temperature.....	29
4.3.4	Week program.....	30
4.3.5	Starting and stopping the week program.....	30
4.3.6	Changing the appliance's standard week program.....	30
4.3.7	Adding times to a week program.....	33
4.3.8	Deleting times from a week program.....	34
4.3.9	Extra period.....	35
4.3.10	Settings.....	37
	Installation, Maintenance and Service part.....	41
5	Introduction.....	43
5.1	About the water heater.....	43
5.2	The appliance's heating cycle.....	43
5.3	Working principle.....	43
5.4	Operating cycle.....	45
6	Safety.....	47
6.1	Safety instructions.....	47
6.2	Instructions on the water heater.....	48
6.3	Safety devices.....	49
6.3.1	Protection for the water heater.....	49
6.3.2	Safety of the installation.....	50
6.3.3	Protection for the solar heating system.....	50
6.3.4	Safety of the solar heating system.....	51
6.4	Environmental aspects.....	51
6.4.1	Recycling.....	51
6.4.2	Disposal.....	52
7	Installation.....	53
7.1	Packaging.....	53

7.2	Conditions.....	53
7.2.1	Ambient conditions.....	53
7.2.2	Maximum floor load.....	53
7.2.3	Water composition.....	54
7.2.4	Working clearances.....	54
7.3	Installation diagram.....	55
7.4	Water connections.....	56
7.4.1	Unvented water connections.....	56
7.4.2	Vented water connections.....	57
7.5	Gas connection.....	58
7.6	Solar heating system.....	58
7.7	Venting system.....	58
7.7.1	C13/C33 concentric systems.....	61
7.7.2	C13/C33 parallel systems.....	62
7.7.3	C43/C53/C63 systems.....	64
7.8	Electrical connections.....	65
7.8.1	Preparation.....	65
7.8.2	Mains power.....	66
7.8.3	Optional electrical connections.....	66
7.8.4	Electrical connection of the solar heating system.....	67
7.9	Commissioning.....	69
7.9.1	Filling.....	69
7.9.2	Procedure for checking the supply pressure.....	71
7.9.3	Procedure for checking the gas control valve pressure.....	73
7.9.4	CO ₂ adjustment.....	74
7.9.5	Switching pressure measurement.....	76
7.9.6	Turn on the water heater.....	77
7.10	Decommissioning.....	77
7.10.1	Turn off the water heater.....	77
7.10.2	Draining.....	77
8	Conversion of gas type.....	79
9	Settings.....	81
9.1	Operator interface.....	81
9.2	Service program.....	81
9.2.1	Hysteresis.....	82
9.2.2	Display the error history.....	82
9.2.3	Display the water heater history.....	82
9.2.4	Display the selected water heater.....	83

9.2.5	Switch the pump on or off.....	83
9.2.6	Setting the service interval.....	83
9.2.7	Service mode.....	83
9.2.8	Setting legionella prevention.....	84
9.2.9	Solar heating system configuration.....	85
9.2.10	Setting the central heating configuration.....	87
10	Maintenance.....	89
10.1	Preparation.....	89
10.2	Water-side maintenance.....	90
10.2.1	Descale the tank.....	90
10.2.2	Clean the condensate drain.....	91
10.3	Gas-side maintenance.....	91
10.3.1	Clean the burner.....	91
10.3.2	Clean the heat exchanger.....	91
10.4	Solar collector maintenance.....	92
10.5	Finalization.....	92
11	Troubleshooting.....	93
11.1	Errors and warnings.....	93
11.1.1	General errors.....	94
11.1.2	Displayed errors.....	95
11.1.3	Warnings.....	100
12	Appendices.....	103
12.1	Technical details.....	103
12.2	Dimensions.....	105
12.3	Gas details.....	107
12.4	Week program card.....	108
12.5	Electrical wiring diagram.....	110
12.6	Electrical wiring diagram solar heating system.....	112
12.7	Menu structure.....	113
12.8	Declaration of conformity.....	114
12.9	Warranty.....	115
12.10	Detailed installation diagram.....	117
	Index.....	119

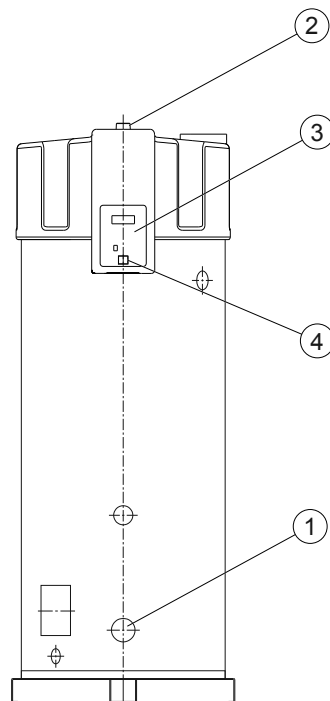
User part

1 Introduction

The HWHC water heater stores and heats water for sanitary purposes.

Cold water enters the bottom of the tank through the water inlet (1). The heated water leaves the tank at the top through the hot water outlet (2). To operate the water heater, the operator interface (3) and control switch (4) are used.

Fig. HWHC water heater



1. Water inlet
2. Water outlet
3. Operator interface
4. Control switch

2

Safety

Lochinvar cannot be held responsible for damages or injuries leading back to:

- Failure to follow the instructions provided in this manual.
- Carelessness during use or maintenance of the water heater.

Every user has to study the user part of this manual and has to follow the instructions in this part of the manual strictly. Do not change the sequence of the actions to be done. This manual has to be available for the user and service engineer all the time.



Warning

If you smell gas:

- Shut off the mains gas supply valve!
 - Avoid causing sparks! Do not use any electrical equipment or switch, i.e. no telephones, plugs or bells!
 - No naked flames! No smoking!
 - Open windows and doors!
 - Warn occupants and leave the building!
 - After leaving the building, alert the gas distribution company or your installation engineer.
-



Caution

Do not store or use chemical substances in the room where the water heater is installed because of the risk of explosion and corrosion of the water heater. Some propellants, bleaching agents and degreasing agents etc. disperse of explosive vapors and/or cause accelerated corrosion. If the water heater is used in a room where such substances are stored or used, the warranty will be void.

Caution

Installation, maintenance and service may only be carried out by a qualified engineer.

Caution

The water heater is not intended for use by persons with reduced physical, sensory or mental capacities, or who lack the necessary experience or knowledge. When the person responsible for their safety is supervising them or has explained to them how the water heater should be used, these persons can use the water heater.

Caution

This water heater is not intended to be used by children. Always supervise children, and make sure that they do not play with the water heater.



Note

Regular maintenance extends the service life of the water heater. To determine the correct service interval, the service and maintenance engineer has to do a check on both the water and gas side of the water heater three months after installation. Based on this check, the best service interval can be determined.

3 Interface

3.1 Operator interface

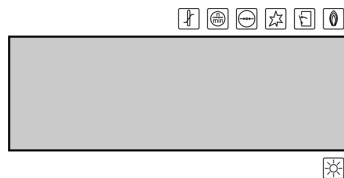
The operator interface is completely menu-driven, and comprises:

- a 4-line display with 20 characters per line;
- 6 buttons for controlling the water heater (below the display);
- 6 graphical symbols (above the display);
- a connector for a service PC;
- a **control switch**.

The buttons are divided into three groups:






- Navigation buttons:
 - Buttons for UP [**↑**], and DOWN [**↓**];
 - Enter: [**ENTER**].
 - Reset button: [**RESET**].
- The main menu (see section 4.3): [**🔑**];
- The service program: [**🔧**].
This chapter is specifically intended for the service and maintenance engineer and installation engineer.



In this manual, the display of the operator interface is shown as in the figure, both with and without icons.



3.2 Explanation of icons

The table explains the meanings of the icons.

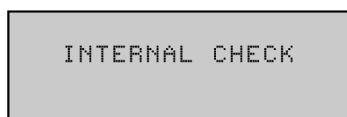
	Name	Explanation
	Heat demand	Heat demand detected
	Purge	Pre- and post-purge using fan
	Pressure switch	Pressure switch is closed
	Glow	(Pre)glow
	Gas control valve	Gas control valve open/ignition

	Name	Explanation
	Flame detection	Water heater operational
	Solar heating system	Solar energy is heating the water

3.3

Control switch

The **control switch** of the controller turns the water heater **ON** and **OFF**. Note that in the **OFF** position the water heater remains electrically live, in order for the continuous pump to stay running.



After switching on, the text INTERNAL CHECK appears on the display for about 10 seconds. The main menu (see section 4.3) then appears. If no selection is made in the main menu, the water heater automatically switches to the **OFF mode** (see section 3.6.1).



Note

To electrically isolate the water heater, you must use the isolator between the water heater and the mains power supply.

3.4

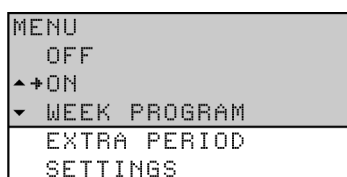
Buttons

The use of these buttons is explained with the help of the figure showing the main menu (see section 4.3).

The buttons are:

- Buttons for UP [**↑**], and DOWN [**↓**];
- Enter: [**ENTER**];
- Reset button: [**RESET**].

The arrows **▲** and **▼** indicate that you can scroll up and/or down. Use [**↑**] and [**↓**] to scroll.



The cursor **→** points to the option to be activated. In the display as shown in the figure, you can scroll through the main menu.

The main menu comprises: **OFF**, **ON**, **WEEK PROGRAM**, **EXTRA PERIOD** and **SETTINGS**. You have to scroll down further to see the options **EXTRA PERIOD** and **SETTINGS**.

The selected option is confirmed using [**ENTER**].

Pressing [**RESET**] takes you back one page in a menu and discards all options selected in the current menu.



Note

[**RESET**] is also used to reset the water heater following an error.

3.5 PC connection

The PC connection is exclusively intended to enable technicians from Lochinvar to read the status and history of the water heater. These details can be important for troubleshooting and/or resolving complaints.

3.6 Status of the water heater

During operation, the display shows the status of the water heater.

3.6.1 Operating modes

When running, the water heater has four basic operating modes, namely:

- OFF (see section 3.6.1.1)
- ON (see section 3.6.1.2)
- EXTRA (see section 3.6.1.3)
- PROG (see section 3.6.1.4)

3.6.1.1 OFF

In this mode, the frost protection is activated. The figure shows the display with the following information:

- line one: the text OFF;
- line two: the time, the day and T_1 (see section 4.1.1).
- lines three and four: the text FROST PROTECTION ACTIVATED.

```
OFF
13:45 Thursday 6°C
FROST PROTECTION
ACTIVATED
```

3.6.1.2 ON

In this mode, the water heater continually responds to the hot water demand. The figure shows the display with the following information:

- line one: the text ON;
- line two: the time, the day and T_1 (see section 4.1.1).
- line three: the programmed water temperature T_{set} ;
- line four: is empty when the water heater is idle, or depending on the operating cycle (see section 4.1.1), displays a text such as HEAT DEMAND.

```
ON
13:45 Thursday 67°C
          Tset 75°C
```

3.6.1.3 EXTRA

In this mode, one extra period is programmed and activated. In this mode, the OFF or PROG mode is temporarily overruled to fulfill a single period of demand. When the period has passed, the water heater automatically returns to the previous operating mode.

The figure shows the display with the following information:

- line one: the text EXTRA;
- line two: the time, the day and T_1 (see section 4.1.1);
- line three: the switch-on time and the related water temperature setting;
- line four: the text PERIOD ACTIVATED.

```
EXTRA
12:30 Thursday 76°C
TH 12:45 Tset 75°C
PERIOD ACTIVATED
```

3.6.1.4

PROG

In this mode a preset week program is active, and the water heater responds continually to demand within the time periods set in the week program. There are two distinct situations possible in this mode:

```
PROG
10:00 Monday 76°C
MO 11:15 Tset 75°C
```

1. *The current time falls within a set time period of the week program.*
The figure shows the display with the following information:
 - line one: the text PROG;
 - line two: the time, the day and T_1 (see section 4.1.1);
 - line three: the next scheduled switch-off time and the water temperature T_{set} of the active period;
 - line four: is empty, or depending on the operating cycle (see section 4.1.1), displays a text such as HEAT DEMAND.

```
PROG
12:00 Monday 76°C
MO 11:15
PERIOD ACTIVATED
```

2. *The current time falls outside a set time period of the week program.*
The figure shows the display with the following information:
 - line one: the text PROG;
 - line two: the time, the day and T_1 (see section 4.1.1);
 - line three: the next scheduled switch-on time;
 - line four: displays the text PERIOD ACTIVATED.

In all modes, the temperature may at any moment drop below the desired temperature. The water heater then enters an operating cycle. This operating cycle (see section 4.1.1) is identical for all basic operating modes.



Note

Setting and if necessary programming of the basic operating modes are described in the main menu chapter (see section 4.3).

3.6.2

Error conditions

The figure shows an example of an error condition. If the water heater enters this condition, the display will show the following information:

- line one: error code comprising a letter and two digits, followed by the error description;
- lines two to four: alternately, a brief explanation of the error, and a brief action to resolve the error.

```
S04: SENSOR ERROR
CHECK
SENSOR OR DUMMY
```



Note

When the display shows an error code, try to reset the water heater with **[RESET]**. Contact your service and maintenance engineer or supplier when the water heater does not restart or when the display shows the error code again.

3.6.3

Service conditions

The figure shows the message SERVICE REQUIRED. If this message appears, the water heater needs a service and maintenance inspection. In this case, contact your service and maintenance engineer.

```
!!! WARNING !!!  
MAX. BURNING HOURS:  
SERVICE REQUIRED
```



Note

Regular maintenance extends the service life of the water heater.

Note

The message SERVICE REQUIRED is based on the number of expired burning hours and the preset service interval. If the service interval has been incorrectly selected, contact the service and maintenance engineer for instructions on how to rectify this. Information on the frequency of maintenance is provided elsewhere in the manual (see section 10).

3.6.4

Anode warning

This message appears when the anode protection is no longer active. If the message appears, you must contact your service and maintenance engineer.

```
!!! WARNING !!!  
POWER ANODE  
MALFUNCTION
```



Note

The water heater continues to function when this message appears. If you ignore the anode warning, the tank protection cannot be guaranteed. The warranty will be void.

3.6.5

Q/T Sensor warning

This message appears if the Q/T sensor has not been connected (properly) but has been selected in the service program (see section 9.2.9.5). If the message appears, you must contact your service and maintenance engineer.

```
!!! WARNING !!!  
Q/T SENSOR NOT  
CORRECTLY CONNECTED
```

3.6.6

Collector temperature warning

This message appears whenever the collector temperature is too high. This message disappears automatically. If the message does not disappear, you must contact your service and maintenance engineer.

```
!!! WARNING !!!  
TEMPERATURE  
COLLECTOR  
TOO HIGH
```


4

Use

4.1

Turn on the water heater

Start the water heater as follows:

1. Fill the water heater (see section 7.9.1).
2. Open the manual gas valve.
3. Switch on the power to the water heater using the isolator between the water heater and the power supply.
4. Switch the controller **ON** by setting the **control switch** to position **I**.
The display will now show INTERNAL CHECK for about 10 seconds and will then go to the main menu.

```
INTERNAL CHECK
```

```
MENU
+OFF
^ ON
v WEEK PROGRAM
```

5. Press once on the blue arrow [**↓**] to position the cursor beside **ON**, then press [**ENTER**]. The display shown in the figure will appear.

```
+START OPERATION
^ CHANGE SETPOINT
v Tset=65°C
```

6. Confirm the selection START OPERATION with [**ENTER**].
The appliance is now in **ON mode**. If there is a heat demand, the appliance will run through the heating cycle (see section 4.1.1).
If the heating cycle is not run, there is no heat demand; if this is the case, T_{set} will probably need to be set (see section 4.3.3).

4.1.1

The appliance's heating cycle

The entire cycle is explained in the following example, which assumes the water heater is in operating mode ON.




Note

The same operating cycle applies to the other operating modes.

When the water heater starts, it will run through the following steps:


1. The water temperature drops below the set temperature of (for example) 65°C. The controller detects a heat demand and starts the operating cycle.

- The icon  is activated.
- The message HEAT DEMAND appears.



```
ON          _
13:45 Thursday 63°C
              Tset 65°C
HEAT DEMAND
```


2. Once demand is registered, the fan is started to vent any gases that may be present. This phase is called pre-purge and lasts about 15 seconds.

- The icon  is activated.
- The message PRE PURGE appears.



```
ON          _ _
13:45 Thursday 63°C
              Tset 65°C
PRE PURGE
```




3. During the pre-purge, the pressure switch closes.

- The icon  is activated.
- The message PRESSURE SWITCH appears.



```
ON          _ _ _
13:45 Thursday 63°C
              Tset 65°C
PRESSURE SWITCH
```


4. This is then followed by the (pre-)glow of the hot surface igniter.

- The icons  and  are dimmed
- The icon  is activated.



```
ON          _ _ _
13:45 Thursday 63°C
              Tset 65°C
GLOW PLUG
```



5. After a number of seconds pre-glow, the gas control valve is opened and ignition takes place.

- The icon  is activated.
- The message IGNITION appears.







```
ON          _ _ _
13:45 Thursday 63°C
              Tset 65°C
IGNITION
```

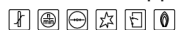
6. After ignition, the flame is detected and the appliance will be running. This means that actual heating has started:

- The icon  is dimmed.
- The icon  is activated.
- The message RUNNING appears.





```
ON          _ _ _
13:45 Thursday 63°C
              Tset 65°C
RUNNING
```

7. When the water is up to temperature, the heat demand ceases and the post-purge starts. This takes about 25 seconds.
 - The icons ,  and  are dimmed.
 - The icon  is activated.
 - The message POST PURGE appears.



```

ON          LL
13:45 Thursday 65°C
          Tset 65°C
POST PURGE
  
```

8. Following the post-purge, the fan stops and the pressure switch opens:
 - The icons  and  are dimmed.
 - The message POST PURGE vanishes.



```

ON
13:45 Thursday 65°C
  
```



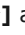
With any subsequent heat demand, the heating cycle will resume from step 1.

4.2 Turn off the water heater

4.2.1 Turn off for a short period

To decommission the water heater for a short period, you must activate the frost protection. The frost protection will prevent water from freezing in the water heater.

Activate the frost protection as follows:

1. Press [] to select the main menu.
2. Using [] and [], place the cursor beside OFF.
Confirm with [**ENTER**].

```

OFF
13:45 Thursday 6°C
FROST PROTECTION
ACTIVATED
  
```

The frost protection cuts in when the water temperature drops below 5°C. The text FROST will then appear on line one of the display. The water heater will heat the water to 20°C (T_{set}) before dropping back to mode OFF.



Caution

The anode protection remains active when the **OFF mode** is selected.

Note


These values of 5°C and 20°C cannot be adjusted.

Note

If the water heater is not used for longer than two months and the water is not drained, air bubbles may form in the water heater. This can lead to air in the water pipes.

4.2.2 Isolate from the mains

The water heater may only be isolated from mains power in the correct way. The correct procedure is as follows:

1. Activate the MENU with [].
2. Position the cursor in front of OFF.


3. Confirm OFF with **[ENTER]**.

```
MENU
+OFF
^ ON
v WEEK PROGRAM
```



Caution

Failure to wait until the fan stops can cause damage to the water heater.

4. Wait until the fan has stopped. The icon  is then dimmed.
5. Switch the water heater **OFF** (position **0**) using the **control switch** on the operator interface.
6. Isolate the water heater from the power supply by setting the isolator between the water heater and the mains power supply to position **0**.



Note

Setting the main switch between the water heater and the electricity mains to **0** will switch off the power supply to the potentiostat; there is then no longer any anode protection.


4.2.3

Turn off for a long period

When the water heater needs to be turned off for more than 2 months, contact your service and maintenance engineer to decommission the water heater.

4.3

Main menu

The MENU is reached by pressing [] on the operator interface.

```
MENU
OFF
^+ON
v WEEK PROGRAM
EXTRA PERIOD
SETTINGS
```

The main menu comprises:

- **OFF**
Select this option if you wish to turn off the water heater for a short period (see section 4.2), but do not wish to drain it. In this mode, the frost protection is active. This prevents water from freezing in the water heater.
- **ON**
In this mode, the water heater continually responds to the hot water demand (see section 4.3.2).
- **WEEK PROGRAM**
Select this option to allow the water heater to respond to demand only during pre-programmed periods (see section 4.3.4). Outside those periods, only frost protection is active.
- **EXTRA PERIOD**
Select this option to overrule **OFF mode** or **PROG mode** (i.e. Week program) so that a single temporary period (see section 4.3.9) of heat demand will be fulfilled.
- **SETTINGS**
Select this option to set the language and the time (see section 4.3.10). You can also use this option to display the regulation interval (temperature), and the ignition and working speeds of the fan.




Note


If you fail to make any selection with the main menu open, then after 30 seconds, the water heater will automatically return to the mode it was previously in.

4.3.1



Notation conventions for menu-related instructions

The MENU  of the controller is divided into submenus. For example, SETTINGS is one of the functions reached from the main menu. The menu SETTINGS is itself divided into sub-menus. For example, LANGUAGE is a sub-menu of SETTINGS.

So, for example, to select menu LANGUAGE, this manual employs the following convention:

- : SETTINGS | LANGUAGE
Confirm with **[ENTER]**.


This means:

1. : Activate the main menu with .
2. SETTINGS: Using **[↑]** and/or **[↓]** to go to SETTINGS and confirm with **[ENTER]**.
3. LANGUAGE: Using **[↑]** and/or **[↓]** to go to LANGUAGE
4. Confirm with **[ENTER]**. After pressing **[ENTER]**, you will have activated sub-menu LANGUAGE.

4.3.2

Switching to ON mode

You can switch the water heater to **ON mode** from any operational mode, as follows:

1. : ON | START OPERATION
Confirm with **[ENTER]**.

Note

Also refer to the chapter on [starting the water heater](#) (see section 4.1).



4.3.3


Setting the water temperature

4.3.3.1

Setting the water temperature via the SET POINT menu

The water temperature can be set to any value between 40°C and 80°C.

Set the water temperature via:

1. : ON | CHANGE SETPOINT
Confirm with **[ENTER]**.

```
+START OPERATION
^ CHANGE SETPOINT
v          Tset=65°C
```

2. Use:
 - **[↑]** to increase the value;
 - **[↓]** to decrease the value.
 - Confirm with **[ENTER]**. After confirming, the appliance enters **ON mode**.

```
SETPOINT
          +65°C
```

Note

If the preset temperature is higher than the current water temperature, then the appliance might not immediately start the heating cycle. To prevent excessively frequent switching on and off, there is a heating margin. The standard setting for this margin is 5°C. The appliance starts heating up if the water temperature is 5°C below the SETPOINT. We refer to this margin as the hysteresis. The service and maintenance engineer can set the hysteresis value.



4.3.3.2

Setting water temperature during ON mode

The water temperature can also be directly adjusted when the water heater is in **ON mode**.

Simply use:

- **[↑]** to increase the value;
- **[↓]** to decrease the value.
- Confirm with **[ENTER]**.

```
ON
13:45 Thursday 67°C
          Tset+65°C
```

4.3.4

Week program

Using the week program, you can set the water temperature for the days and times you want.

If the appliance is running under a week program, then this is indicated on the display by the text **PROG** on the first line (see the figure). The second line shows the time of day, the day of the week and the temperature. The third line shows the next switching time of the week program and the programmed temperature. The fourth line shows the text **PROGRAM ACTIVATED**.

```
PROG
07:55 Monday 64°C
MO 08:00 Tset 75°C
PERIOD ACTIVATED
```

The appliance's default week program switches the appliance on every day at 00:00 and off at 23:59. The default water temperature setting is 65 °C.

If you want, you can change every setting in the appliance's standard week program.

If the water temperature becomes too low while the week program is running, the appliance will run through the heating cycle (see section 4.1.1) and return to the week program.

The following topics are covered here:

- [Starting and stopping the week program](#) (see section 4.3.5)
- [Changing the appliance's standard week program](#) (see section 4.3.6)
- [Adding times to a week program](#) (see section 4.3.7)
- [Deleting times from a week program](#) (see section 4.3.8)

4.3.5

Starting and stopping the week program

The week program can be started up from any other operating mode, as follows:

1. **[📅]**: WEEK PROGRAM | START OPERATION
Confirm with **[ENTER]**.

A week program can be shut down simply by activating a different operating mode, for example the **ON mode**.

4.3.6

Changing the appliance's standard week program



Note

First fill-in the desired week program on the supplied week program card.

A week program is made up of a number of programmable periods in which you can have the appliance switch on and off. A period consists of:

- switch-on time: day of the week, hours and minutes
- switch-off time: hours and minutes
- the water temperature setting

- on/off setting for a program-controlled pump.



Note

The switch-off time must always be followed by a switch-off time on the same day of the week. A maximum of three periods may be programmed per day. You can program a maximum of 21 periods.

Call up the menu for the week program as follows:

- **[📅]: WEEK PROGRAM | PROGRAM OVERVIEW.**
Confirm with **[ENTER]**.

```
WEEK PROGRAM
  START OPERATION
  ^+PROGRAM OVERVIEW
  v
```

The display shows the menu for the week program, see the figure below. With the default setting, the program switches on and off every day at 00:00 and 23:59 respectively, the water temperature is 65°C and the pump is switched on (P).

```
DAY TIME Tset
ON +SU 00:00 65°C P
OFF SU 23:59
ON MO 00:00 65°C P
OFF MO 23:59
ON TU 00:00 65°C P
OFF TU 23:59
ON WE 00:00 65°C P
OFF WE 23:59
ON TH 00:00 65°C P
OFF TH 23:59
ON FR 00:00 65°C P
OFF FR 23:59
ON SA 00:00 65°C P
OFF SA 23:59
INSERT
DELETE
START OPERATION
```

Example

As an example, we will set the switch-on time for Sunday to 08:15 hours, and the matching switch-off time to 12:45 hours. The water temperature will be set to 75°C and the pump will run continuously.

The following settings are entered one by one using the menus: the switch-on time, the switch-off time, the desired water temperature, and the mode of the program-controlled pump.

4.3.6.1

Week program: setting the switch-on time

1. Bring the cursor to SU
Confirm with **[ENTER]**.

```
ON +SU 00:00
OFF SU 23:59
Tset 65°C
PUMP ON SAVE
```

The day indicated by → blinks.

2. Use **[↑]** and **[↓]** to set the desired day. In the example this is SU (Sunday).
Confirm with **[ENTER]**.

```
ON SU+00:00
OFF SU 00:59
Tset 65°C
PUMP ON SAVE
```

The cursor moves to the hour digits, which will blink.

- Use [**↑**] and [**↓**] to set the hours. In the example, this is 08.
Confirm with [**ENTER**].
The cursor moves to the minute digits, which will blink.

```
ON   SU 08+00
OFF  SU 08:00
Tset 65°C
PUMP ON          SAVE
```



Note

Because the switch-off time can never be earlier than the switch-on time, the switch-off time setting is automatically adjusted with the switch-on time.

- Use [**↑**] and [**↓**] to set the minutes. In the example, this is 15.
Confirm with [**ENTER**].
The cursor moves to the switch-off hour digits, which will blink.

```
ON   SU 08:15
OFF  SU+08:15
Tset 65°C
PUMP ON          SAVE
```

4.3.6.2

Week program: setting the switch-off time

- Use [**↑**] and [**↓**] to set the hours. In the example, this is 12.
Confirm with [**ENTER**].
The cursor moves to the minute digits, which will blink.

```
ON   SU 08:15
OFF  SU 12+15
Tset 65°C
PUMP ON          SAVE
```

- Use [**↑**] and [**↓**] to set the minutes. In the example, this is 45.
Confirm with [**ENTER**].
The cursor moves to the desired water temperature.

```
ON   SU 08:15
OFF  SU 12:45
Tset+65°C
PUMP ON          SAVE
```

4.3.6.3

Week program: setting the water temperature

- Use [**↑**] and [**↓**] to set the water temperature. In the example this is 75°C.
Confirm with [**ENTER**].
The cursor moves to PUMP ON

```
ON   SU 08:15
OFF  SU 12:45
Tset 75°C
PUMP+ON          SAVE
```

4.3.6.4

Week program: setting the program-controlled pump

- If required, a pump can be controlled during the period. Use [**↑**] and [**↓**] to set PUMP ON. The pump ensures a regular circulation of hot water in the hot water pipes. You can skip this step if you there is no pump in your hot water circuit.
Confirm with [**ENTER**].
The cursor moves to SAVE.

```
ON   SU 08:15
OFF  SU 12:45
Tset 75°C
PUMP ON          +SAVE
```

- Confirm with **[ENTER]**.
The display shown in the figure will appear.

```

      DAY TIME  Tset
ON  +SU  08:15 75°C P
OFF SU   12:45
ON   MO  00:00 65°C P
OFF MO  23:59
ON   TU  00:00 65°C P
OFF TU  23:59
.....

```

- If you wish, you can use **[↓]** to scroll to another day, and change more switch-on (see section 4.3.6.1) and switch-off (see section 4.3.6.2) times.
- After changing all desired switch-on and switch off times, you can start running the week program:
Scroll with **[↓]** to START OPERATION.
Confirm with **[ENTER]**.

4.3.7

Adding times to a week program

Call up the menu to INSERT switch-on and switch-off times into a week program as follows:

- [🏠]**: WEEK PROGRAM | PROGRAM OVERVIEW.
Confirm with **[ENTER]**.

```

WEEK PROGRAM
  START OPERATION
  ^+PROGRAM OVERVIEW
  v

```

The display shows the menu for the week program. The cursor points to the active period.

```

      DAY TIME  Tset
ON  +SU  08:15 75°C P
OFF SU   12:45
ON   MO  00:00 65°C P
.....
OFF SA  23:59
      INSERT
      DELETE
      START OPERATION

```

- Scroll **[↓]** to INSERT.
Confirm with **[ENTER]**.
The submenu for adding a period will appear.

```

ON  +SU  08:15
OFF  SU  12:45
Tset 75°C
PUMP ON          SAVE

```

Example

As an example, we will program an extra period in which the switch-on time is set to 18:00 and the corresponding switch-off time to 22:00. The water temperature will be set to 75°C and the pump will run continuously.

```

      DAY TIME  Tset
ON  +SU  18:00 75°C P
OFF SU   22:00
ON   MO  00:00 65°C P
.....
OFF SA  23:59
      INSERT
      DELETE
      START OPERATION

```

3. Proceed as follows:
 - a. Set the switch-on time (see section 4.3.6.1).
 - b. Set the switch-off time (see section 4.3.6.2).
 - c. Set the water temperature (see section 4.3.6.3).
 - d. Set the program-controlled pump (see section 4.3.6.4).
4. To activate the week program with the new period added, scroll down with [**↓**] to START OPERATION and confirm with [**ENTER**].

4.3.8

Deleting times from a week program

All switch-on/off times are shown sequentially in the display. Assume that the switch-on/off times for the water heater are programmed as in the figure.

```

      DAY TIME Tset
ON +SU 08:15 75°C P
OFF SU 12:45
ON  SU 18:00 75°C P
OFF SU 22:00
.....
.....
OFF SA 23:59
      INSERT
      DELETE
      START OPERATION
  
```

To delete a period, proceed as follows:

1. [**☰**]: WEEK PROGRAM | PROGRAM OVERVIEW.
Confirm with [**ENTER**].

```

MENU
  OFF
  ▲ ON
  ▼ +WEEK PROGRAM
  
```

2. Scroll with [**↓**] to PROGRAM OVERVIEW.
Confirm with [**ENTER**].

```

WEEK PROGRAM
  START OPERATION
  ▲ +PROGRAM OVERVIEW
  ▼
  
```

The display shows the menu for the week program.

3. Scroll with [**↓**] to DELETE.
Confirm with [**ENTER**].

To warn you that you are now working in the delete sub-menu, the cursor is replaced with an exclamation mark (!) and the period settings will blink.

```

      DAY TIME Tset
ON !SU 08:15 75°C P
OFF  SU 12:45
ON  SU 18:00 75°C P
OFF SU 22:00
.....
.....
OFF SA 23:59
      INSERT
      DELETE
      START OPERATION
  
```

4. Scroll with [**↓**] to the day to be deleted. For example, SU (Sunday) in the second period. See the figure.
Confirm with [**ENTER**].

```

DAY TIME Tset
ON !SU 18:00 75°C P
OFF SU 22:00
ON MO 00:00 65°C P
.....
.....
OFF SA 23:59
INSERT
DELETE
START OPERATION

```

5. The lines showing switch-on/off times are replaced by the text DELETE BLOCK?. See the figure.
Confirm with [**ENTER**].
(or use [**RESET**] to cancel).

```

DAY TIME Tset
ON ! DELETE
OFF BLOCK?
ON MO 00:00 65°C P

```

The switching period has been deleted. You will return now to the week program menu. The cursor points to the first programmed period.

```

DAY TIME Tset
ON +SU 08:15 75°C P
OFF SU 12:45
ON MO 00:00 65°C P
OFF MO 23:59
.....
.....
OFF SA 23:59
INSERT
DELETE
START OPERATION

```

6. Scroll with [**↓**] to START OPERATION.
Confirm with [**ENTER**].
The week program is active.

4.3.9

Extra period

Use an extra period when you either want to have the water heater switch on and off for a certain period, either without modifying the active week program, or without taking the water heater out of **OFF mode** (frost protection active).

If the water heater is running under an "extra period", then this is indicated in the display with the text EXTRA.

```

EXTRA
10:00 Monday 76°C
MO 11:15 Tset 75°C
PERIOD ACTIVATED

```

During the extra period, if the water temperature becomes too low, the water heater will run through the operating cycle (see section 4.1.1), then return to the extra period.

The same settings can be made for an extra period as for a week program (see section 4.3.6).

4.3.9.1

Programming an extra period

1. Call up the menu for entering an extra period via:
2. **[F6]**:: EXTRA PERIOD
Confirm with **[ENTER]**.

```
MENU
ON
^ WEEK PROGRAM
v+EXTRA PERIOD
```

The display show the settings for the extra period.

Setting the switch-on time

3. Use **[↑]** and **[↓]** to set the day. In the example this is SU.
Confirm with **[ENTER]**.
The cursor moves to the hour digits, which will blink.

```
ON  SU+00:00  EXTRA
OFF  SU 00:59
Tset 65°C
PUMP ON      START
```

4. Use **[↑]** and **[↓]** to set the switch-on hour to the desired value. In the example, this is 08.
Confirm with **[ENTER]**.

The cursor moves to the minute digits, which will blink.

```
ON  SU 08+00  EXTRA
OFF  SU 08:00
Tset 65°C
PUMP ON      START
```



Note

Because the switch-off time can never be earlier than the switch-on time, the switch-off time setting is automatically adjusted with the switch-on time.

5. Use **[↑]** and **[↓]** to set the minutes. In the example, this is 15. Confirm with **[ENTER]**.
The cursor moves to the hour digits of the switch-off period.

```
ON  SU 08:15  EXTRA
OFF  SU+08:15
Tset 65°C
PUMP ON      START
```

Setting the switch-off time

6. Use **[↑]** and **[↓]** to set the hours. In the example, this is 012.
Confirm with **[ENTER]**.
The cursor moves to the minute digits, which will blink.

```
ON  SU 08:15  EXTRA
OFF  SU 12+15
Tset 65°C
PUMP ON      START
```

7. Use **[↑]** and **[↓]** to set the minutes. In the example, this is 45.
Confirm with **[ENTER]**.
The cursor moves to the water temperature. See the figure

```
ON  SU 08:15  EXTRA
OFF  SU 12:45
Tset+65°C
PUMP ON      START
```


Setting the water temperature

- Use [**↑**] and [**↓**] to set the water temperature. In the example this is 75°C. Confirm with [**ENTER**].

The cursor moves to PUMP ON

```
ON   SU 08:15 EXTRA
OFF  SU 12:45
Tset 75°C
PUMP+ON          START
```

Setting the program-controlled pump

- If required, a pump can be controlled during the period. Use [**↑**] and [**↓**] to set PUMP ON. The pump ensures a regular circulation of hot water in the hot water pipes. You can skip this step if you there is no pump in your hot water circuit. Confirm with [**ENTER**].

The cursor moves to START.

```
ON   SU 08:15 EXTRA
OFF  SU 12:45
Tset 75°C
PUMP ON          +START
```

- Confirm with [**ENTER**].

The extra period has been programmed.



Note

Once the extra period has completed running, the controller returns to the mode **ON**, **OFF** or **WEEK PROGRAM**. The following week, the extra period will NOT be automatically switched back on.

4.3.10

Settings

Using the option SETTINGS you can adjust certain settings, and display certain water heater specifications:

- Adjustable settings
 - Menu language.
 - Current day of week and time.
- Displayable water heater specifications, this category is only relevant to the installation engineer and/or service and maintenance engineer
 - Regulation interval (water temperature).
 - Ignition speed of fan.
 - Working speed of fan.

4.3.10.1

Setting menu language

To set menu language:

```
MENU
WEEK PROGRAM
▲ EXTRA PERIOD
▼+SETTINGS
```

- Call up the menu for selecting the language as follows:
- [**☰**]: SETTINGS. Confirm with [**ENTER**].

The display shows the menu for settings.

```
SETTINGS
+LANGUAGE
▲ DAY/TIME
▼ SPECIFICATIONS
```

- The cursor is positioned beside LANGUAGE.
Confirm with **[ENTER]**.
The display shows the language selection menu.

```

LANG
  ENGLISH
  ^ NEDERLANDS
  v +DEUTSCH
  FRANCAIS
  ITALIANO
  CZECH
  ESPANOL
  
```

- Scroll with **[↓]** to the desired language.
Confirm with **[ENTER]**.

The language is set.

4.3.10.2

Setting day and time

To enter the time and day:

```

MENU
  WEEK PROGRAM
  ^ EXTRA PERIOD
  v +SETTINGS
  
```

- Call up the menu for entering the day and time as follows:
- [☰]**: SETTINGS.
Confirm with **[ENTER]**.
The display shows the menu for settings.
- Scroll with **[↑]** and **[↓]** to DAY/TIME.
Confirm with **[ENTER]**.

```

SETTINGS
  LANGUAGE
  ^ +DAY/TIME
  v SPECIFICATIONS
  
```

The display shows the sub-menu for adjusting the day.

```

DAY
  +Sunday
  ^ Monday
  v Tuesday
  Wednesday
  Thursday
  Friday
  Saturday
  
```

- The cursor is positioned beside Sunday.
Scroll with **[↑]** and **[↓]** to the desired day.
Confirm with **[ENTER]**.
The day has been set. The display shows the submenu for adjusting the time.

```

TIME
  +00:00
  
```

- The cursor moves to the hour digits, which will blink.
Scroll with **[↑]** and **[↓]** to the current hour, for example 15.
Confirm with **[ENTER]**.

```

TIME
  15+00
  
```

- The cursor moves to the minute digits, which will blink. Scroll with **[↑]** and **[↓]** to the next minute, for example 45. Confirm the minute setting with **[ENTER]**.

```
TIME
  15+45
```

The time has been set.



Note

The water heater takes no account of daylight saving.

4.3.10.3



Displaying water heater specifications

Note

This category is solely intended for the installation engineer and/or service and maintenance engineer.

The corrected data is shown in the table of general and electrical data.

Call up the menu to display the water heater specifications as follows:

- [🔑]**: SETTINGS.
Confirm with **[ENTER]**.

```
MENU
  WEEK PROGRAM
  ▲ EXTRA PERIOD
  ▼+SETTINGS
```

- Scroll with **[↓]** to SPECIFICATIONS.
Confirm with **[ENTER]**.

```
SETTINGS
  LANGUAGE
  ▲ DAY/TIME
  ▼+SPECIFICATIONS
```

The display shows the sub-menu for displaying water heater specifications.

```
SPECIFICATIONS
  +REGULATIONINTERVAL
  ▲ IGNITION SPEED
  ▼ WORKING SPEED
```

- Scroll with **[↓]** to the section to be displayed, for example REGULATION INTERVAL. The corresponding display appears

```
REGULATION INTERVAL
  40-80°C
```


Installation, Maintenance and Service part

5 Introduction

5.1 About the water heater

The HWHC water heater is intended for heating water for sanitary purposes.

The HWHC is a condensing gas-fired storage water heater with a fan in the air intake. The flue gasses transfer their heat to the water through an efficient heat exchanger. The water heater has a concentric venting connector and can function as an open or as a room-sealed water heater.

The water is heated partly by means of the heat exchanger in the bottom of the tank. This heat exchanger can be connected to e.g. a solar energy source.

5.2 The appliance's heating cycle

The appliance's heating cycle is activated when the measured water temperature (T_1) falls below the threshold value (T_{set}). This threshold value depends on the currently selected appliance operating mode. For example, if the appliance is in **OFF mode** (frost protection), then this value is 5°C. If the appliance is in **ON mode**, this threshold value is adjustable, for example to 65°C.

The heating cycle runs successively through the following states:

- HEAT DEMAND;
- PRE-PURGE;
- PRESSURE SWITCH;
- PRE-GLOW;
- IGNITION;
- RUNNING;
- POST-PURGE.

5.3 Working principle

The water heater is fitted with a modulating premix burner system with 1:1 gas-to-air ratio regulation. The air required for combustion is delivered by the fan (18). The gas is supplied via the gas control valve (16) and the venturi (30) on the intake side of the fan. The 1:1 gas-to-air ratio always guarantees the most efficient gas/air mixture.

In this water heater, the cold water enters the bottom of the tank through the cold water inlet (14). The water is heated by means of a heat exchanger (55) connected to a solar heating system and a gas-fired heat exchanger (11). The heated tap water leaves the tank through the hot water outlet (2). Once the water heater is completely filled with water, it will constantly be under mains water pressure. As hot water is drawn from the water heater, cold water is immediately added.

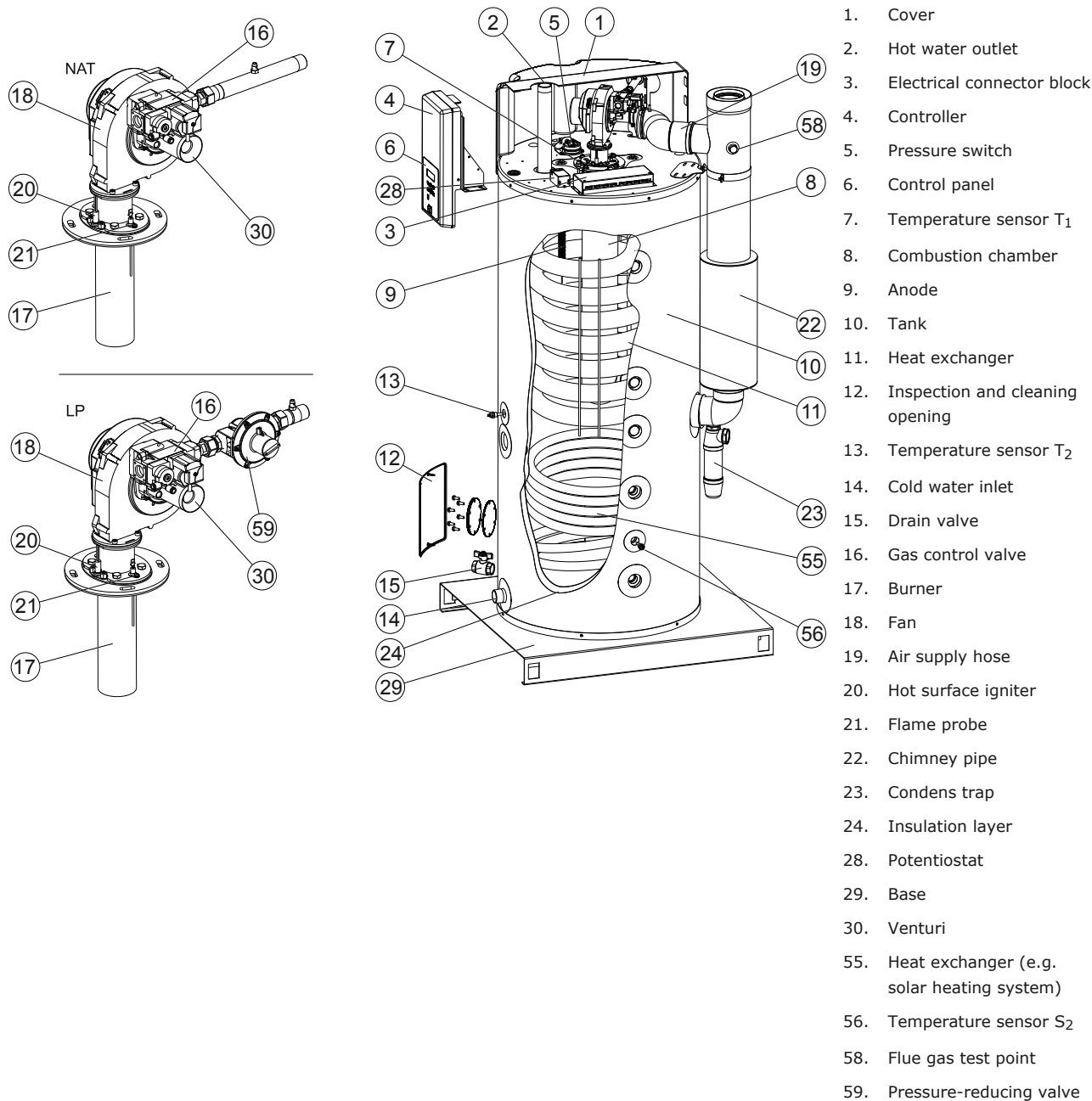
The special design of the heat exchanger (11) ensures that the flue gases are first led downwards via the combustion chamber, then upwards via the heat exchanger, and downwards again alongside the water in the tank. The flue gases gradually become cooler in the process. Because the cooled flue gases flow alongside the cold water lower down in the tank, they start to condense. This condensation causes latent heat energy to be

transferred to the cooler water, thereby increasing the performance of the unit. The condensate yielded by this process is discharged via the condens trap (23).

The insulation layer (24) prevents heat loss. The inside of the tank is enamelled to protect against corrosion. The anodes (9) provide extra protection against corrosion.

The water heater has an inspection and cleaning opening (12) for maintenance.

Fig. HWHC water heater



5.4

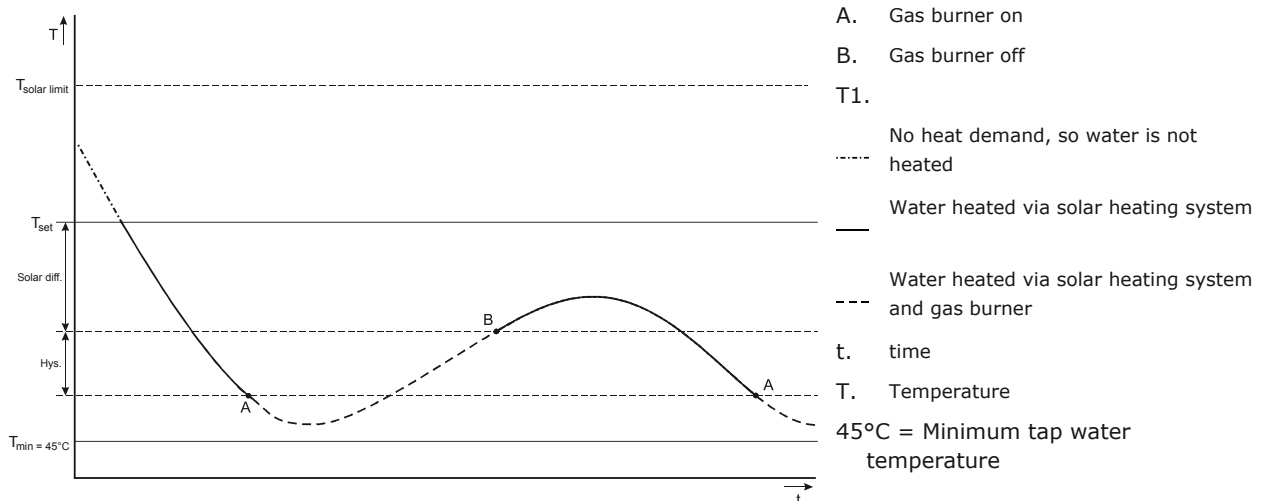
Operating cycle

The water temperature (T_1) at the top of the water heater is used to control when the gas burner is started and stopped. The temperature changes in the water heater are used for switching the solar heating system on and off (using T_1 and S_2). T_1 is the curve shown in the figure. In addition, temperatures S_1 and S_2 are used by the solar heating system controller. Temperature S_1 is measured in the solar collector and S_2 between the inlet and outlet of the heat exchanger (55).

The other settings that govern the control behaviour are:

- T_{set}
 T_{set} is the the required water temperature that has been set on the appliance (see section 4.3.3.1). As soon as T_1 falls below T_{set} , the solar heating system starts heating the water, but only if the temperature of the heating fluid (S_1) is greater than the temperature measured at the appliance (sensor S_2) by a given (adjustable) amount. When $T_1 = T_{set} = T_{solar\ limit}$, heating by the solar heating system stops. There is one exception to this rule, which is when $T_{solar\ limit}$ is set to a higher value than T_{set} .
- Hysteresis
 The moment that T_1 falls below $(T_{set} - T_{solar\ diff} - hysteresis)$, the controller registers such a heat demand that the gas burner and the solar heating system jointly heat the water. The solar heating system is only employed when the temperature measured by S_1 is a certain (adjustable) value greater than that of S_2 .
- $T_{solar\ diff}$
 When T_{net} exceeds $(T_{set} - T_{solar\ diff})$, the gas burner is shut off and the water is heated by the solar heating system alone. When T_1 rises above T_{set} (provided that $T_{set} = T_{solar\ limit}$), the solar heating system is switched off. The value of $T_{solar\ diff}$ is adjustable (see section 9.2.9.4).
- $T_{solar\ limit}$
 Preset water temperature at which heating via the solar heating system is stopped (see section 9.2.9.3).

Fig. Graphical representation of operating cycle



Note

T_1 can rise above T_{set} . However, this is only possible if $T_{solar\ limit}$ is increased via the service menu.

6

Safety

6.1

Safety instructions

For safety instructions about the use of the water heater, refer to Safety (see section 2) in the User part of this manual.



Warning

Installation, maintenance and service must be carried out by a qualified engineer in compliance with the general and local regulations imposed by the gas, water and power supply companies and the fire brigade. The appliance may only be installed in a room that complies with the requirements stated in national and local ventilation regulations.

Warning

Leave the water heater electrically isolated until you are ready to commission it.

**Caution**

The water heater may only be manoeuvred in an upright position. After unpacking, make sure that the water heater is not damaged.

Caution

Use of an incorrect roof or wall-mounted flue terminal can cause the water heater to malfunction.

Caution

During installation, obey the instructions delivered with the sets of air supply components and the flue gas discharge components. Make sure that the venting system does not exceed the maximum number of 45° and 90° bends and the maximum pipe length.

Caution

Make sure that the diameter and length of the gas supply pipe are large enough to supply sufficient capacity to the water heater.

Caution

Make sure that the condensate drain is connected to the waste water discharge using an open connection.

Caution

Fill the water heater completely before use. Dry firing will damage the water heater.

Caution

After installation, maintenance or service, you must always check that the appliance is gas tight and make sure that the gas supply pressure, the CO₂ value and the air pressure differential are correct.

If the gas supply pressure is not correct, contact your mains gas supply company. Do not use the water heater.

Caution

To prevent that you damage the components of the water heater, make sure that it is completely stopped operation before you turn off the water heater (see section 4.2). Wait 1 minute after you switch the water heater to **OFF mode**, before you switch the control switch to **0**.

Caution

The anode protection remains active when the water heater is in **OFF mode** and the control switch is set to **0**.

**Note**

Any leakage from the tank and/or connections can cause damage to the immediate environment or floors below the level of the boiler room. Install the water heater above a waste water drain or in a suitable metal leak tray.

The leak tray must have an appropriate waste water drain and must be at least 5 cm deep with a length and width at least 5 cm greater than the water heater.









6.2**Instructions on the water heater**

The water heater has some safety instructions on its cover:

- The text "Read the installation instructions before installing the appliance".
- The text "Read the user instructions before putting the appliance into operation".

Also the packaging has some safety instructions:

- The text "Read the installation instructions before installing the appliance".
- The text "Read the user instructions before putting the appliance into operation".
- The text "The appliance may only be installed in a room that meets the required ventilation regulations".
- Some safety pictograms:

	CE approved
	this way up
	fragile
	keep dry
	maximum stacking height is 1
	do not use a trolley
	do not use a clamp truck
	recycled packaging

6.3 Safety devices

6.3.1 Protection for the water heater

6.3.1.1 Water temperature protection

The controller (4) controls and monitors the safety of the water heater by means of sensors T_1 and T_2 . S_2 is also used for protection of the water heater.

However, this is primarily intended for control of the solar heating system (see section 6.3.3).

The table explains the functioning of these temperature sensors.

Safety	Description
Against frost: - $T_1 < 5\text{ °C}$ - $T_2 < 5\text{ °C}$	The frost protection cuts in. The water is heated to 20 °C .
Against overheating of water: - $T_1 > 88\text{ °C}$ - $T_2 > 88\text{ °C}$ - $S_2 > 88\text{ °C}$	The high-limit safeguard serves to prevent overheating and/or excessive formation of scale in the appliance. If the high-limit safeguard is activated, heating is stopped. This causes the water in the tank to cool down. Once the water has cooled sufficiently ($T_1 < 81\text{ °C}$), the controller resets the appliance.
For extra safety - $T_1 > 93\text{ °C}$ - $T_2 > 93\text{ °C}$ - $S_2 > 93\text{ °C}$	<u>A lockout error of the water heater controller takes place.</u> (see section 11) The controller must be manually reset before the appliance can resume operation. The reset may only be performed if $T_1 < 81\text{ °C}$.

6.3.1.2 Gas control valve

The controller opens the gas control valve so that gas can be supplied to the burner. As a safety measure, the gas control valve has two valves. Both valves shut off the gas supply.

6.3.1.3 Fan

The fan (18) provides an optimum air supply when there is a heat demand. As a safety feature, the fan ensures that any gases present in the combustion chamber are removed, both before and after combustion. We refer to this as pre- and post-purge.

The fan speed is continuously monitored by the controller (4). The controller takes control if the fan rpm varies too much from the value set.

6.3.1.4 Pressure switch

The pressure switch only guarantees the supply of air during pre-purging of the water heater. If the pressure difference during pre-purging is sufficient, the pressure switch closes. Refer to the general and electric specifications in the appendices (see section 12) for the trip point for each water heater.



Note

The trip point of the pressure switch is not adjustable.

6.3.1.5

Flame probe

To ensure that no gas can flow when there is no combustion, the water heater is fitted with a flame probe (21). The controller uses this probe to detect the presence of a flame, by means of ionisation detection. The controller closes the gas control valve the instant it detects that there is a gas flow but no flame.

6.3.2

Safety of the installation

Excessive pressure in the tank can damage the enamelled layer (in the water heater) or the tank itself. An inlet combination and pressure-reducing valve prevents this. The inlet combination acts as a stop valve, non-return valve and overflow valve. If the water mains pressure is too high, a pressure-reducing valve must be used (Refer to the general and electric specifications in the [appendices](#) (see section 12)). Both components must be [fitted in the cold water inlet](#) (see section 7.4.2).

The use of an expansion vessel, expansion valve and/or pressure reducing valve depends on the type of installation: unvented or vented.

6.3.2.1

Unvented installation

With an unvented installation, an expansion valve and expansion vessel prevent the buildup of excessive pressure in the tank. This prevents damage being caused to the enamel coating (in the water heater) or to the tank. A non-return valve prevents excessive pressure build-up in the water supply system. This valve also prevents water from flowing backwards from the tank into the cold water supply system. The pressure-reducing valve protects the water heater against excess mains water pressure, refer to the general and electric specifications in the [appendices](#) (see section 12). These components are [installed in the cold water inlet](#) (see section 7.4.2).

6.3.2.2

Vented installation

With a vented installation, excess pressure is taken up by the open cold water head tank. The level of the cold water head tank determines the maximum working pressure in the tank, refer to the general and electric specifications in the [appendices](#) (see section 12). The water heater must also be fitted with a vent pipe from the hot water pipe, which opens into the cold water head tank.

Ideally, the vent pipe should discharge into a separate discharge channel/drain or otherwise to the open cold water head tank. The water heater should also be [fitted with a stop valve](#) (see section 7.4.1.2) on the hot water side.

6.3.2.3

T&P valve

A T&P valve is only mandatory in unvented installations. However, Lochinvar also recommends the use of a T&P valve in vented installations.

A T&P (Temperature and Pressure Relief) valve monitors the pressure in the tank and the water temperature at the top of the tank. If the pressure in the tank becomes too high the valve will open, refer to the general and electric specifications in the [appendices](#) (see section 12). The hot water can now flow out of the tank. Because the water heater is under water supply pressure, cold water will automatically flow into the tank. The valve remains open until the unsafe situation has been rectified. [The water heater is fitted standard with a connection for a T&P valve](#) (see section 7.4.1.2).

6.3.3

Protection for the solar heating system

6.3.3.1

Drain-back tank

The solar heating system may optionally be equipped with a drain-back tank. The tank fills itself with the heating fluid when there is no heat demand. This avoids overheating of the solar heating system. The high insulation factor of the tank also protects the system

against freezing of the fluid. The use of the drain-back tank also serves to extend the useful life of the fluid.

The existence of a drain-back tank is set during the installation (see section 9.2.9.1). Refer to the solar heating system manual for more details.

6.3.3.2 Fluid temperature

The heat exchanger of the solar heating system is filled with glycol. If the temperature of the heating fluid is too high, a signal is sent to the controller of the solar collector and the pump of the solar collector is switched off. This signal is passed to the controller by temperature sensor S_1 .

Safety	Description
Maximum temperature: - $S_1 > 130 \text{ }^\circ\text{C}$	The pump of the solar heating system switches off when the temperature of the heating fluid at S_1 exceeds the maximum value. The solar heating system enters error mode. The error is also visible on the display of the water heater.

6.3.4 Safety of the solar heating system

6.3.4.1 Expansion vessel

The solar heating system must be equipped with an expansion vessel. An expansion vessel serves to limit pressure variations in the system. The expansion vessel in the solar heating system can withstand a maximum pressure of 600 kPa (6 bar). The supply pressure to the expansion vessel depends on the static head of the system.

The system is protected from overpressure by an expansion valve (see section 6.3.4.2) as well as the expansion vessel.

6.3.4.2 Expansion valve

The solar heating system is equipped with an expansion valve. The expansion valve monitors the pressure in the solar heating system. Should the pressure become higher than 600 kPa (6 bar), the valve will open. The hot water can now flow out of the installation. The valve remains open until the unsafe situation has passed, i.e. until the pressure has fallen back to below 600 kPa (6 bar).



Note

Because a closed system is pressurized and is not filled automatically, the system will have to be filled (see section 7.9.1) again when the expansion valve has been activated. A system with a drain-back tank is not pressurized and does not have an expansion valve.

6.4 Environmental aspects

6.4.1 Recycling



The packaging material is environmentally friendly, recyclable and relatively easy to discard.

6.4.2

Disposal



Old end-of-life appliances contain materials that need to be recycled. When you discard devices at the end of their service life, you must obey local legislation related to waste disposal.

Never discard your old device together with regular waste. Put the device into a municipal waste collection depot for electrical and electronic equipment. If necessary, ask your supplier or your service and maintenance engineer for advice.

7

Installation



Warning

The installation must be done by a qualified person, in compliance with general and local applicable [regulations](#).



Caution

The water heater may not be used in rooms where chemical substances are stored or used because of the risk of explosion and corrosion of the water heater. Some propellants, bleaching agents and degreasing agents etc. disperse of explosive vapors and/or cause accelerated corrosion. If the water heater is used in a room where such substances are stored or used, the warranty will be void.

For more safety instructions, refer to [Safety instructions](#) (see section 6.1).

7.1

Packaging

Lochinvar recommends to unpack the water heater at or near its intended location. Remove the packaging material carefully to prevent damage to the water heater.

7.2

Conditions

The water heater is suitable for room-sealed and for open combustion:

- For room-sealed combustion, the air inlet does not depend on the installation site.
- For open combustion, you must comply with the local applicable directives and ventilation regulations for open water heaters.

7.2.1

Ambient conditions

The installation site must be frost-free. If necessary, adjust the installation site to keep it frost-free.

Make sure that the ambient conditions are correct to prevent malfunction of the electronics in the water heater.

Air humidity and ambient temperature	
Air humidity	Max. 93% RH at + 25 °C
Ambient temperature	Functionality: $0 \leq T \leq 60$ °C

7.2.2

Maximum floor load

Refer to the general and electric specifications in the [appendices](#) (see section 12) to make sure that the maximum floor load is sufficient for the weight of the water heater.

7.2.3

Water composition

The water must comply with the regulations for drinking water for human consumption.

Water composition	
Hardness (alkaline earth ions)	> 1.00 mmol/l: <ul style="list-style-type: none">• German hardness > 5.6° dH• French hardness > 10.0° fH• English hardness > 7.0° eH• CaCO₃ > 100 mg/l
Conductivity	> 125 µS/cm
Acidity (pH value)	7.0 < pH value < 9.5



Note

If the water specifications differ from the specifications in the table, the tank protection cannot be guaranteed, refer to [Warranty](#).

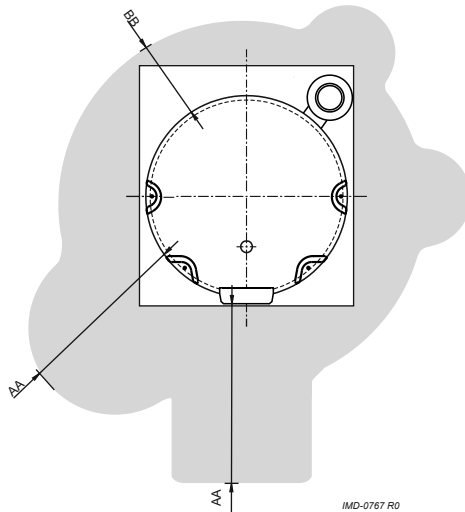
7.2.4

Working clearances

For access to the water heater, it is recommended that the following clearances are observed (see figure):

- AA: around the water heater's control column and cleaning openings: 100 cm.
- BB: all sides of the water heater: 50 cm.
- Top of the water heater: 100 cm.

Fig. Working clearances



Note

When installing the water heater, be aware that any leakage from the tank and/or connections can cause damage to the immediate environment or floors below the level of the boiler room. If this is the case, the water heater should be installed above a waste water drain or in a suitable metal leak tray.

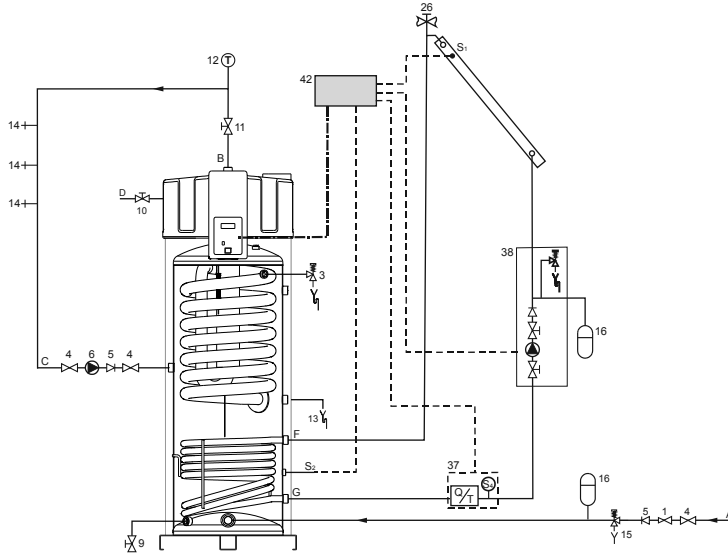
Note

The leak tray must have an appropriate waste water drain and must be at least 5 cm deep with a length and width at least 5 cm greater than the diameter of the water heater.

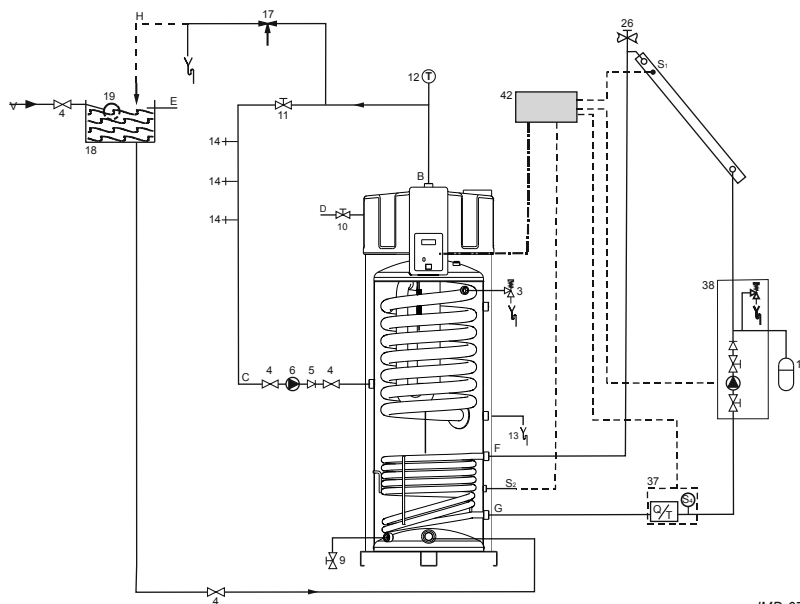
7.3 Installation diagram

Fig. Installation diagram

UNVENTED



VENTED



IMD-0784 R0

1. Pressure reducing valve (mandatory)
 3. T&P valve
 4. Stop valve (recommended in pipe C and mandatory in pipe A)
 5. Non-return valve (mandatory)
 6. Circulation pump (optional)
 9. Drain valve (mandatory)
 10. Manual gas valve (mandatory)
 11. Service stop valve (recommended)
 12. Temperature gauge (recommended)
 13. Condensation drain (mandatory)
 14. Draw-off points
 15. Expansion valve (mandatory)
 16. Expansion vessel (mandatory)
 17. 3-way aeration valve (recommended)
 18. Cold water head tank
 19. Float switch
 26. Air bleed (mandatory)
 37. Combined Q/T sensor (optional)
 38. Solar heating system pump station (modulating - mandatory)
- A. Cold water supply
 B. Hot water supply
 C. Circulation pipe
 D. Gas supply
 E. Overflow pipe
 F. Supply heat exchanger
 G. Heat exchanger return
 H. Overflow protection
- S₁ Collector sensor (mandatory)
 S₂ Tank sensor (mandatory)
 S₄ Heat exchanger discharge sensor (optional)



Caution

The installation diagram shows a pump station with an integrated non-return valve. This type of pump unit may only be used with closed systems. In systems with drain-back, installation of a pump unit with non-return valve is prohibited. There are special pump units for these systems. Please contact the pump unit supplier for this.



Note

Use this installation diagram when you:

- install the water connections (see section 7.4)
 - install the condensate drain
 - install the gas connection (see section 7.5)
 - fill the water heater
 - drain the water heater
-

7.4

Water connections

7.4.1

Unvented water connections



Warning

The installation should be carried out by a competent person, in compliance with general and locally applicable regulations.

7.4.1.1

Cold water side

See (A) in the installation diagram.

1. Fit an approved stop valve (4) on the cold water side as required by the applicable regulations.
2. The maximum working pressure of the water heater is 8 bar. Because the pressure in the water pipe at times can exceed 8 bar, you must fit an approved pressure-reducing valve (1).
3. Fit a non-return valve (5) and an expansion vessel (16).
4. Fit an expansion valve (15) and connect the overflow side to an open waste water pipe.

7.4.1.2

Hot water side

See (B) in the installation diagram.



Note

Insulating long hot water pipes prevents unnecessary energy loss.

1. Optional: fit a temperature gauge (12) so you can check the temperature of the tap water.
2. Fit the T&P valve (3).
3. Fit a stop valve (11) in the hot water outlet pipe for servicing.

7.4.1.3

Circulation pipe

See (C) in the installation diagram.

If an immediate flow of hot water is required at draw-off points, a circulation pump can be installed. This improves comfort, and reduces water wastage.

1. Fit a circulation pump (6) of the correct capacity for the length and resistance of the circulation system.
2. Fit a non-return valve (5) after the circulation pump to guarantee the direction of circulation.
3. Fit two stop valves for servicing (4).
4. Connect the circulation pipe according to the installation diagram.

7.4.1.4

Condensation drain

1. Fit a sloping waste water pipe to the condens trap (13) for condensation drainage and connect this via an open connection to the waste water discharge.



Caution

If the condensation drain is not fitted to the waste water discharge using an open connection, this can cause faults.

7.4.2

Vented water connections



Warning

The installation should be carried out by a competent person, in compliance with general and locally applicable regulations.

7.4.2.1

Cold water side

See (A) in the installation diagram.

1. Fit an approved stop valve (4) on the cold water side between the cold water head tank (18) and the water heater, as required by applicable regulations.

7.4.2.2

Hot water side

See (B) in the installation diagram.



Note

Insulating long hot water pipes prevents unnecessary energy loss.

1. Fit the T&P valve (3).
2. Optional: fit a temperature gauge (12) so you can check the temperature of the tap water.
3. Fit a stop valve (4) in the hot water outlet pipe for servicing.
4. If a circulation pipe is required, continue by installing the circulation pipe (see section 7.4.1.3).

7.4.2.3

Circulation pipe

See (C) in the installation diagram.

If an immediate flow of hot water is required at draw-off points, a circulation pump can be installed. This improves comfort, and reduces water wastage.

1. Fit a circulation pump (6) of the correct capacity for the length and resistance of the circulation system.
2. Fit a non-return valve (5) after the circulation pump to guarantee the direction of circulation.
3. Fit two stop valves for servicing (4).
4. Connect the circulation pipe according to the installation diagram.

7.4.2.4

Condensation drain

1. Fit a sloping waste water pipe to the condens trap (13) for condensation drainage and connect this via an open connection to the waste water discharge.



Caution

If the condensation drain is not fitted to the waste water discharge using an open connection, this can cause faults.

7.5

Gas connection



Caution

Make sure that the gas supply pipe has the correct diameter and length to supply sufficient capacity to the water heater.

Caution

Make sure that the gas supply pipe is clean. Contamination in the pipe can cause damage to the gas control valve, during operation.

Caution

Install the manual gas valve on a spot accessible for the user.

Install the gas connection:

1. Install a manual gas valve (10) in the gas supply pipe.
2. Make sure that the gas pipe is clean before use. If necessary, remove the contamination from the pipe.
3. Close the manual gas valve.
4. Install the gas supply pipe to the gas control valve.
5. Make sure that there are no gas leaks.

7.6

Solar heating system



Note

Please refer to the [installation diagram](#) (see section 7.3), [electrical diagram](#) (see section 12.6) and [terminal block](#) (see section 7.8.4.1) for details of how to connect the solar heating system.

1. Connect the supply from the solar collector to the inlet (F) of the heat exchanger.
 2. Connect the return pipe to the solar collector to the outlet (G) of the heat exchanger.
 3. Connect the lead to the solar heating system controller and sensor S₂, see:
 - [electrical diagram](#) (see section 12.6) and
 - [connections table](#) (see section 7.8.4.1).
 4. Connect the communication cable between the solar heating system controller and the water heater, see:
 - [electrical diagram](#) (see section 12.6) and
 - [connections table](#) (see section 7.8.4.1).
-

**Warning**

The installation diagram shows a pump station with an integrated non-return valve. This type of pump unit may only be used with closed systems. In systems with drain-back, installation of a pump unit with non-return valve is prohibited. There are special pump units for these systems. Please contact the pump unit supplier for this.

7.7

Venting system

There are several alternatives for installation of the air inlet and flue gas outlet:

Installation type	Version	Description
B23	Open	Air for combustion is drawn from installation room and the flue gasses leave the water heater via a vertical roof terminal.
C13	Closed	Concentric and/or parallel venting system, with horizontal air inlet and flue gas outlet, in same pressure zone.

Installation type	Version	Description
C33	Closed	Concentric and/or parallel venting system, with vertical air inlet and flue gas outlet, in same pressure zone.
C43	Closed	Water heaters on common air inlet and flue gas outlet (concentric and/or parallel) in a multiple floor building.
C53	Closed	Separate air inlet and flue gas outlet terminal types mixed. Air inlet and flue gas outlet termination may be in different pressure zone.
C63	Closed	Water heaters supplied without venting materials. These water heaters must be installed in compliance with local regulations. The water heater is intended to be connected to a separately approved and marketed venting system.

This manual does not discuss installation type B23. When you need a B23 system, contact Lochinvar for more information.



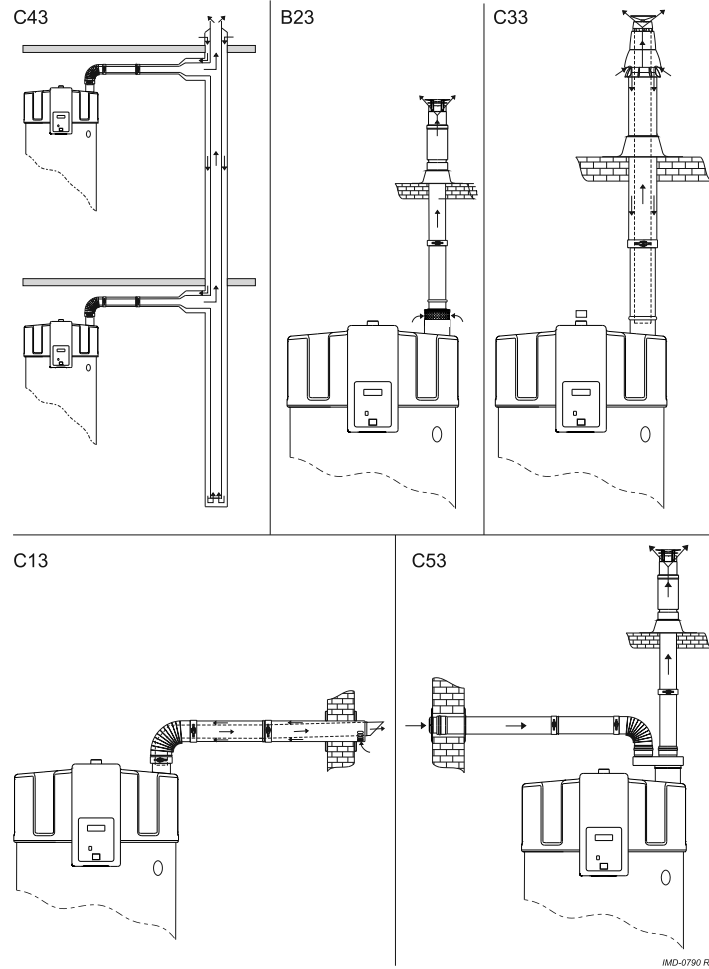
Caution

Always make sure that the flue gas outlet discharges into an area approved for the correct type of installation.

Caution

The use of a different wall or roof terminal can result in incorrect functioning of the water heater. Use the part number from the table to order a terminal set from your supplier or the manufacturer.

Fig. Venting systems



7.7.1

C13/C33 concentric systems

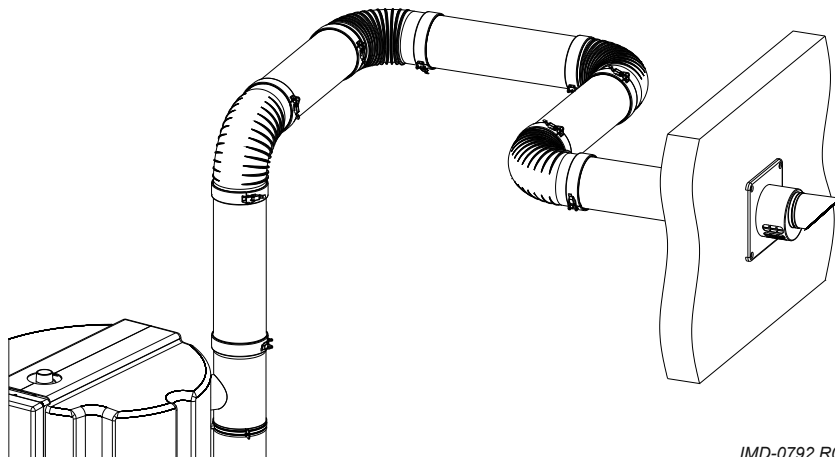
Use a wall terminal set or a roof terminal set to install a C13 or a C33 concentric venting system.

Description Concentric Venting material	HWHC 44-370 and 63-370
Manufacture venting material	Muelink & Grol
Construction	Concentric
Material flue gas outlet	Thick walled aluminum
Material air inlet	Thin walled galvanized steel
Diameter flue gas outlet	100 mm
Diameter air inlet	150 mm
Description parts	Lochinvar Part number
Wall terminal set A wall terminal (1), a 500 mm concentric pipe and a 90° bend	LV302504
Wall terminal (1)	LV302505
Roof terminal set A roof terminal (2), a 500 mm concentric pipe and a roof plate	LV311463
Roof terminal (2)	LV311458
Concentric pipe 500 mm	LV302499
Concentric pipe 1000 mm	LV311450
Concentric pipe 1500 mm	LV311451
Concentric bend 45°	LV311454
Concentric bend 90°	LV302502

1 - supplied with wall flange and clamping ring

2 - supplied with clamping ring

Fig. Example concentric venting system



IMD-0792 R0



Caution

During installation, obey the instructions delivered with the sets of air supply components and the flue gas discharge components. Make sure that the venting system does not exceed the maximum number of 45° and 90° bends and the maximum pipe length.

Caution

Use a run-off of 50 mm per meter towards the water heater.

Refer to the table for the correct pipe dimensions of the C13 and C33 concentric systems.

Description	Unit	HWHC 44-370	HWHC 63-370
Diameter flue discharge/ air inlet	mm/mm	100/150	100/150
Maximum length	m	40	40
Maximum number of 90° bends	-	7	7

7.7.2

C13/C33 parallel systems

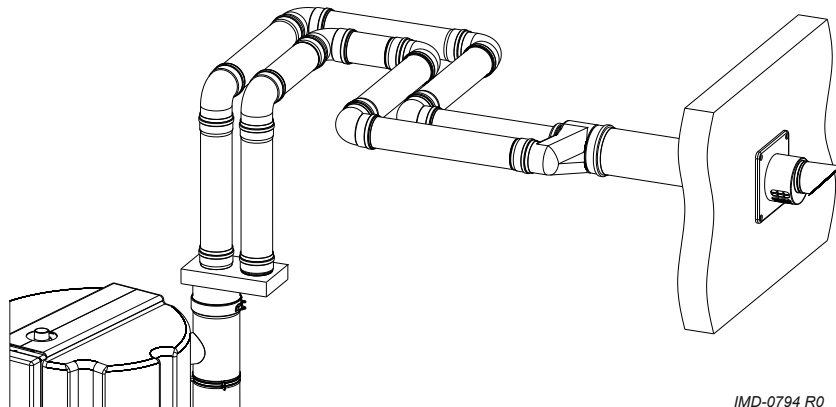
Use a wall terminal set or a roof terminal set to install a C13 or a C33 parallel venting system.

Description Parallel Venting material	HWHC 44-370 and 63-370
Manufacture venting material	Muelink & Grol
Construction	Parallel
Material flue gas outlet	Thick walled aluminum
Material air inlet	
Diameter flue gas outlet	100 ^{+0,6} / _{-0,6} mm
Diameter air inlet	
Description parts	Lochinvar Part number
Wall terminal (1)	LV302505
Roof terminal (2)	LV311458
Adapter box concentric to parallel - terminal side	LV307142
Adapter box concentric to parallel - water heater side	LV304204
Parallel pipe 500 mm	LV307160
Parallel pipe 1000 mm	LV307161
Parallel bend 45°	LV310197
Parallel bend 90°	LV307164

1 - supplied with wall flange and clamping ring

2 - supplied with clamping ring

Fig. Example parallel venting system



Refer to the table for the correct pipe dimensions of the C13 or a C33 parallel venting systems.

Description	Unit	HWHC 44-370 ₍₁₎
Default		
Diameter flue discharge/ air inlet	mm	2x100
Maximum length air inlet	m	55
Maximum length flue gas outlet	m	55
L _{equivalent} 45°-bend	m	1,2
L _{equivalent} 90°-bend	m	4,6
Diameter enlargement		
Diameter flue discharge/ air inlet	mm	2x130
Maximum length air inlet	m	100
Maximum length flue gas outlet	m	100
L _{equivalent} 45°-bend	m	1,4
L _{equivalent} 90°-bend	m	2,4

1 - When the maximum total length for the default diameter of 100 mm is insufficient, diameter 130 mm should be used. Any diameter enlargement must be carried out on both air inlet and flue gas outlet.



Caution

Always make sure the installation is in compliance with the requirements stated in this table.

Caution

Use a run-off of 50 mm per meter towards the water heater.

Calculate the maximum length of the air inlet and the flue gas outlet separately:

1. Sum the lengths of the different pipe sections without bends. Ignore the length of the adaptor box.
2. Sum the lengths of the bends. Ignore the bend in the adaptor box:
 - Sum L_{equivalent} for each 45° bend.
 - Sum L_{equivalent} for each 90° bend.

3. Sum the lengths of the pipe sections and the lengths of the bends to calculate the overall length of the air inlet and the flue gas outlet.
4. Adjust the length of the air inlet and/or the flue gas outlet when the overall length exceeds the maximum length as stated in the table.

7.7.3

C43/C53/C63 systems

The length of the air inlet and flue gas outlet is the same for C43, C53 and C63 systems as for C13 and C33 systems:

- Refer to C13/C33 concentric systems for the maximum pipe lengths of concentric systems.
- Refer to C13/C33 parallel systems for the maximum pipe lengths of parallel systems and non-concentric systems.



Note

Only use a C43 venting system when the common duct is a natural draught chimney. The common duct is part of the building, not a part of the system.

Note

In a C53 venting system the flue gas terminal must be CE approved and must comply to the EN 1856-1 requirements.

Note

Connect a C63 venting system to a separately approved and marketed system for the supply of combustion air and discharge of flue gasses.

The flue gas terminal must comply to the EN 1856-1 requirements. The maximum allowable recirculation rate is 10% under wind conditions.

Contact Lochinvar for more information and/or part numbers of the C43, C53 and C63 venting systems.

Concentric systems

Refer to the table for the correct pipe dimensions of the C43, C53 and C63 concentric systems.

Description	HWHC 44-370 and 63-370
Manufacture venting material	Muelink & Grol
Construction	Concentric
Material flue gas outlet	Thick walled aluminum
Material air inlet	Thin walled galvanized steel
Diameter flue gas outlet	100 mm
Diameter air inlet	150 mm

Refer to C13/C33 concentric systems for the Lochinvar part numbers. The same parts can be used for the C43, C53 and C63 concentric systems.

Parallel and non-concentric systems

Refer to the table for the correct pipe dimensions of the C43, C53 and C63 parallel systems.

Description	HWHC 44-370 and 63-370
Manufacture venting material	Muelink & Grol
Construction	Parallel
Material flue gas outlet	Thick walled aluminum
Material air inlet	

Description	HWHC 44-370 and 63-370
Diameter flue gas outlet	100 ^{+0,6} / _{-0,6} mm
Diameter air inlet	

Refer to C13/C33 parallel systems for the Lochinvar part numbers. The same parts can be used for the C43, C53 and C63 parallel systems.

Use the "adapter box concentric to parallel - water heater side" (part number LV312209) for C63 parallel systems.

7.8

Electrical connections



Warning

Leave the water heater electrically isolated until you are ready to commission it.



Caution

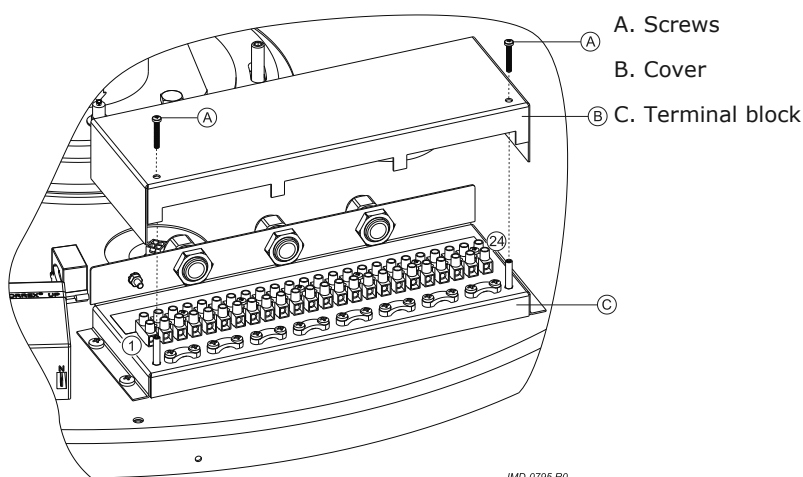
The water heater is phase-sensitive. It is absolutely essential to connect the mains live (L) to the live of the water heater and the mains neutral (N) to the neutral of the water heater.

Caution

There must be no potential difference between neutral (N) and earth (\pm). Use an isolating transformer (see section 7.8.3.1) in the supply circuit when there is a potential difference.

The figure shows a view of the terminal block, and the table explains the relevant connections.

Fig. Terminal block



7.8.1

Preparation

In preparation, you must first remove the two covers, and the cover of the electrical section.

1. Undo the screws of the covers.
2. Carefully remove the covers from the water heater.
The electrical section is now visible.

- Loosen the 2 screws (A) and remove the cover (B) from the electrical section. The connector block (C) is now visible.



Note

Consult the table for the connections and consult the electrical diagram for the electrical component connections.

Mains voltage			Isolating transformer						Alarm Out			Program controlled pump				External		BUS	
N	L	⊕	Primary			Secondary			X ₁	X ₂	⊕	N	L ₃	⊕		X ₃	X ₄	link	
1	2	3	4	5	6	7	8	9	10	11	12	13	14	15	16 to 20	21	22	23	24

7.8.2

Mains power



Note

The water heater is supplied without a power cable and isolator.

Use a power cable with cores of at least 3 x 1,0 mm² and a double-pole isolator with a contact gap of at least 3 mm.

Connect the water heater to the mains power supply:

- Connect neutral (N), live (L) and earth (⊕) of the power cable to terminals 1 thru 3 of the terminal block as shown in the table (see section 7.8.1).
- Fit the power cable in the strain relief.
- Connect the power cable to the isolator.
- If you have no more connections to make:
 - Fit the cover on the terminal block.
 - Fit the covers onto the water heater.

7.8.3

Optional electrical connections

Optionally, it is possible to:

- Connect an isolating transformer (see section 7.8.3.1).
- Connect a program-controlled pump (see section 7.8.3.2).
- Connect an external ON mode switch (see section 7.8.3.3).
- Connect an additional error signal (see section 7.8.3.4) to the water heater.

7.8.3.1

Isolating transformer

For more information about an isolating transformer, or to order an isolating transformer, please contact Lochinvar.

An isolating transformer should be used if there is a case of 'floating neutral'.



Note

The total power consumed by the appliance goes via the isolating transformer.

- Refer to the fitting instructions provided with the isolating transformer. (Contact the supplier for details of the correct isolating transformer.)
- Connect the neutral (N), live (L) and earth (⊕) of the power cables to terminals 4 through 9 of the connection block according to the table (see section 7.8.1).
- Fit the cables in the strain relief.
- If you have no more connections to make:
 - Fit the cover on the terminal block.
 - Fit the covers onto the water heater.
- Connect the power cable to the isolator.

7.8.3.2

Program-controlled pump



Note

The maximum power capacity for a pump regulated by the controller is 100W.

1. Connect neutral (N), live (L) and earth (\perp) to terminals 13, 14 and 15 as indicated in the [table](#) (see section 7.8.1).
2. Fit the cable in the strain relief.
3. If you have no more connections to make:
 - Fit the cover on the terminal block.
 - Fit the covers onto the water heater.

7.8.3.3 External ON mode switch

External ON/OFF is an option for connecting an external ON/OFF switch. In the OFF position, the programmed operating mode is active. In the ON position, the programmed operating mode is overruled, and "ON mode" is active.

1. Connect leads (X3 and X4) to terminals 21 and 22 according to the [table](#) (see section 7.8.1).
2. Fit the cable in the strain relief.
3. If you have no more connections to make:
 - Fit the cover on the terminal block.
 - Fit the covers onto the water heater.

7.8.3.4 Additional error signal

The appliance has a relay terminal that is switched when an error is detected. This can be used to signal errors, for example with a bulb. A 230V circuit can be powered directly. Other voltages require a relay prescribed by the manufacturer.

1. Connect the phase cables (X1 and X2) to points 10 and 11 according to the [table](#) (see section 7.8.1). If required, connect earth (\perp) to terminal 12.
2. Fit the cable in the strain relief.
3. If you have no more connections to make:
 - Fit the cover on the terminal block.
 - Fit the covers onto the water heater.

7.8.3.5 Communication cable to solar heating system

You must connect a communication cable between the controllers of the water heater and the solar heating system.

1. Connect the cables (X5 and X6) to terminals 23 and 24 as [shown in the table](#) (see section 7.8).
2. Fit the cable in the strain relief.
3. If you have no more connections to make:
 - Fit the cover on the terminal block.
 - Fit the covers onto the water heater.

7.8.4 Electrical connection of the solar heating system

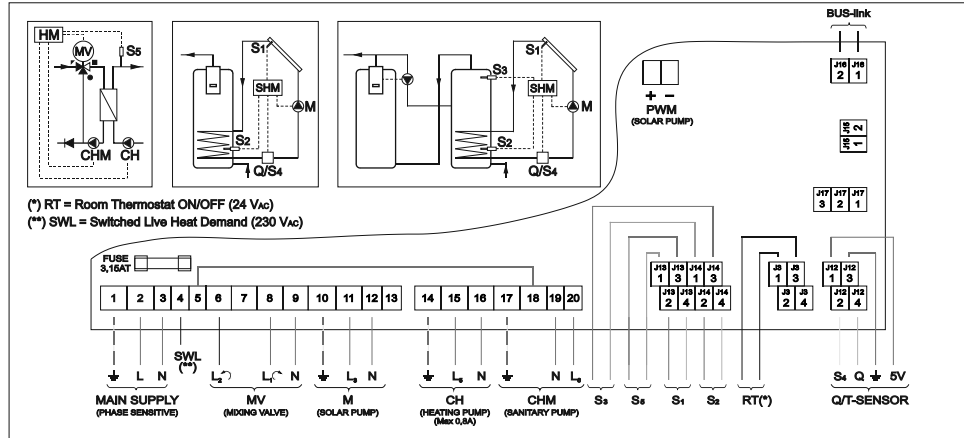
This section covers the following topics:

- [Preparation](#) (see section 7.8.4.1);
- [Connecting the mains power](#) (see section 7.8.4.2);
- [Connecting pump station - modulating pump](#) (see section 7.8.4.3);
- [Connecting solar collector](#) (see section 7.8.4.4);
- [Connecting tank sensor](#) (see section 7.8.4.5);
- [Connecting communication cable](#) (see section 7.8.4.6);
- [Connecting Q/T sensor](#) (see section 7.8.4.7).

7.8.4.1

Preparation

Remove the cover (snap-on type) from the terminal block for the collector. This has the following terminals:



7.8.4.2

Connecting the mains power



Note

Just as with the water heater controller, the solar heating system controller must have a permanent electrical connection to the mains power supply. There must be a double-pole isolator installed in the permanent connection. This is the same double-pole isolator as installed between the mains power supply and the water heater itself. Whenever this isolator is operated, both controllers can be switched on or off.

1. Connect earth, live and neutral to terminals 1 through 3
2. Fit the cables in the strain relief.
3. Connect the power cable to the isolator.
4. Continue (see section 7.8.4.3).

7.8.4.3

Connecting pump station - modulating pump

The pump station contains a modulating pump (PWM controlled). You must connect this pump to the controller of the solar heating system.

1. Connect earth, live and neutral to terminals 10 through 12.
2. Connect PWM and PWM+ to point 1 and 2 of J18.
3. Fit the cables in the strain relief.
4. Continue (see section 7.8.4.4).

7.8.4.4

Connecting solar collector



Note

This sensor must be mounted in the solar collector; refer to the solar collector installation manual.

Connect the sensor (S1) to the water heater as follows:

1. Connect the sensor to terminal 2 and 4 of J13.
2. Fit the cables in the strain relief.
3. Continue (see section 7.8.4.5).

7.8.4.5

Connecting tank sensor



Note

This sensor is already mounted in the tank prior to delivery. The sensor is mounted between the inlet and outlet of the heat exchanger. However, you must still connect the lead to the solar heating system controller.

1. Connect the lead for sensor S2 with the blade connectors to the sensor.
2. Connect the other end to terminals 2 and 4 of J14.
3. Fit the cables in the strain relief.
4. Continue (see section 7.8.4.6).

7.8.4.6



Connecting communication cable

Note

The communication cable must always be connected, otherwise neither the appliance nor the solar heating system controller will run.

1. Connect the double connector to J16.
2. Fit the cable in the strain relief.
3. Connect the other end of the communication cable to the terminal block of the appliance. See
 - connecting communication cable to the appliance (see section 7.8.4.6).
 - electrical diagram for the appliance (see section 12.5).
 - electrical diagram for the solar heating system (see section 12.6).
4. Connect the optional Q/T-sensor (see section 7.8.4.7).
5. If you do not need to make any more connections:
 - Fit the cover over the controller.

7.8.4.7



Connecting Q/T sensor

Note

You can optionally add a Q/T sensor to the installation. This enables you to calculate the energy contribution of the system. For more information or to order the Q/T sensor, please contact your supplier.

1. Connect the 5V to J12-1.
2. Connect sensor S4 to J12-2.
3. Connect earth to J12-3.
4. Connect the "flow signal" to J12-4.
5. Fit the cable in the strain relief.
6. If you have no more connections to make:
 - Fit the covers over the controller.

7.9

Commissioning

To commission the water heater:

1. Fill the water heater (see section 7.9.1)
2. Check the supply pressure (see section 7.9.2)
3. Check the gas control valve pressure
4. Measure the CO₂ (see section 7.9.4)
5. Switch pressure measurement (see section 7.9.5)
6. Turn on the water heater (see section 7.9.6)

7.9.1

Filling

7.9.1.1

Filling unvented installations

Refer to the installation diagram when you fill the water heater:

1. Open the stop valve (11) in the hot water supply pipe.
2. If applicable, open the stop valves (4) of the circulation pipe (C).
3. Make sure that the drain valve (9) is closed.
4. Open the nearest hot water draw-off point (14).
5. Open the stop valve (4) of the cold water supply pipe (A). Cold water flows into the water heater.
6. Fill the water heater until a full water jet flows from the nearest draw-off point. The water heater is completely full.

7. Open all draw-off points to bleed the entire installation of air. The water heater is now under water supply pressure.
8. Make sure that no water comes out of the expansion valve (15) or the T&P valve (3). If water comes out:
 - Examine if the water supply pressure is greater than the specified value in the Technical details. If necessary, install a pressure reducing valve (1).
 - Examine if the expansion valve in the protected cold supply set-up is installed correctly and is not defect. If necessary, replace the expansion valve.

7.9.1.2

Filling vented installations

To fill the water heater, proceed as follows:

1. Open the stop valve (11) in the hot water pipe and, if present, the stop valves (4) for the circulation pump (6).
2. Close the drain valve (9).
3. Open the nearest hot water draw-off point (14).
4. Open the stop valve (4) on the cold water side (A) so that cold water flows into the water heater.
5. Completely fill the water heater. When a full water jet flows from the nearest draw-off point, the water heater is full.
6. Bleed the entire installation of air, for example by opening all draw-off points.
7. The water heater is now under water supply pressure. There should now be no water coming out of the inlet combination expansion valve or (if used) out of the T&P valve (3). If there is, the cause might be:
 - The water supply pressure is greater than the specified value. Rectify this by fitting a pressure reducing valve (1).
 - The expansion valve in the protected cold supply set-up is defective or incorrectly fitted.

7.9.1.3

Filling the solar heating system



Note

No special safety measures are required when working with the diluted glycol solution specified by the manufacturer. For more information about the fluid, please contact the manufacturer.



Warning

Before filling the solar heating system to replenish the heating fluid, make certain that:

- The appliance is switched off (see section 4.2).
- The solar heating system is switched off. Refer to the documentation of the solar heating system.
- The appliance has cooled down sufficiently to prevent personal injury (burns).

Note

The filling procedure described in this manual is intended for the pump system supplied by the supplier of the appliance. For any other system, you should follow the procedure for that system.



Warning

To avoid contaminating the glycol, you should flush the solar heating system through with water before filling.

Flushing with water

1. Connect a water supply to the filling point of the pump station.
2. Connect a drain hose to the drain point.
3. Open the taps of both supply and drain point.
4. Open the water supply tap.
5. Allow the system to spool through until no further contamination comes out of the drain hose.

6. Then shut off the water supply.
7. Drain all remaining water from the system.
8. Now you can fill the system with glycol.

Filling with glycol

1. Insert the hose of the glycol pump into the jerry can containing the glycol.
2. Connect the pump to the jerry can.
3. Connect the hose of the glycol pump to the inlet combination of the pump station.
4. Open the valve of the inlet combination.
5. Plug the glycol pump into a mains socket.
6. Start the glycol pump using the ON/OFF switch on the glycol pump.
7. Stop the glycol pump as soon as the pressure gauge on the pump station begins to rise.
8. Completely bleed the system of air at the air bleed point (26, see installation diagram).
9. Close the air bleed when no further air comes out.
10. Use the service menu to switch the pump on (see section 9.2.9.2).



Note

To ensure that the solar heating system is properly filled, the pump in the solar heating system can be switched on for 2 minutes using the service menu.

11. Repeat steps 6 through 9 until glycol runs out of the air bleed (26).

Note

If an installation does not have a drain-back system, then it should be filled up to pressure (1.5 bar).

If an installation does have a drain-back system, then it should not be pressurised. For the installation, filling and drainage of a drain-back system, please refer to the installation manual and users manual of the solar collectors.

12. Switch off the glycol pump.
13. Close the valve of the inlet combination and disconnect the glycol pump (including the hoses).

Note

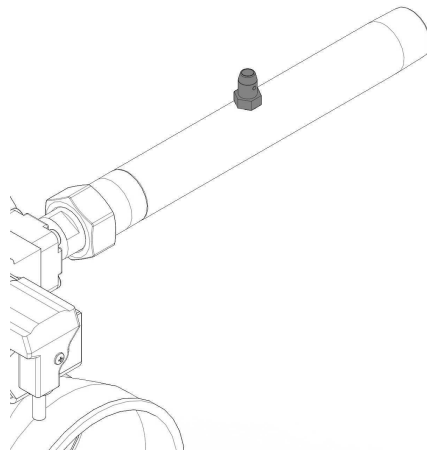
Dispose of the residual glycol in the filler hose in an environment-friendly manner, and according to local regulations.

7.9.2

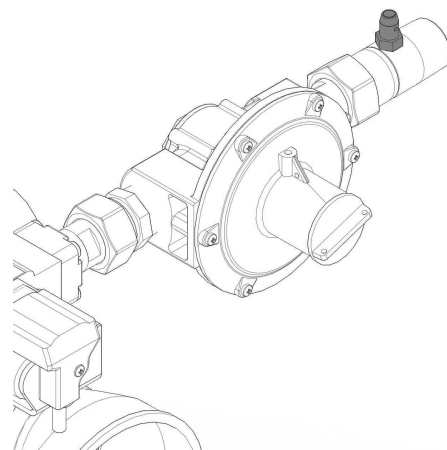
Procedure for checking the supply pressure

To check the supply pressure, proceed as follows:

1. Isolate the appliance from the power supply (see section 4.2.2).
2. Carefully remove the covers from the appliance.
3. The electrical section is now visible.
4. There is a test nipple before the gas control valve (for natural gas appliances) or before the pressure-reducing valve (for LPG appliances) so that the supply pressure can be measured.
This test nipple has a sealing screw. Loosen the sealing screw by a few turns. Do not completely loosen it as it can be difficult to retighten.



IMD-1095a R0



IMD-1096a R0

5. Open the gas supply and vent the gas supply line via the test nipple.
6. Connect a pressure gauge to the test nipple as soon as gas starts to flow from it.
7. Switch on the power to the appliance using the isolator on the appliance.
8. Switch the controller **ON** by setting the **O/I switch** to position **I**.
The display will now show INTERNAL CHECK for about 10 seconds, and will then go to the main menu.

```
INTERNAL CHECK
```

```
SERVICE MENU
HYSTERESE
▲ HISTORY OF ERRORS
▼ APPLIANCE HISTORY
SELECT APPLIANCE
PUMP RELAY
SERVICE INTERVAL
ANTI LEGIONELLA
SOLAR CONFIG.
HEATING CONFIG.
+SERVICE OPERATION
```

9. Select SERVICE OPERATION, FULL LOAD from the service menu.
10. Confirm with **[ENTER]**.

The display shown here will appear

```
SERVICE OPERATION
+FULL LOAD
PARTIAL LOAD
```

The appliance is now in **Full load** mode and will ignite.

11. You must wait about 1 minute after the display shows the text RUNNING before reading the dynamic pressures (the fan needs this time to get up to full speed, so that you can get a reliable reading).
12. Use the pressure gauge to read the supply pressure and compare it against the value from the gas table.



Note

Consult the mains gas supply company if the supply pressure is not correct. You cannot yet start using the appliance. You must now take the appliance out of service (see section 4.2.2).

Note

After conversion, you must check that the gas control valve is gastight.

13. Shut off the gas supply.
14. Disconnect the pressure gauge and retighten the sealing screw in the test nipple.

- If there is nothing else you need to check or adjust, you can put the covers back on the appliance.

7.9.3

Procedure for checking the gas control valve pressure

The procedure for checking the gas control valve pressure is only applicable to appliances that have a pressure-reducing valve. If the appliance does not have a reducing valve, continue from adjusting the CO₂ value (see section 7.9.4).

To check the gas control valve pressure, proceed as follows:

- Isolate the appliance from the power supply (see section 4.2.2).
- Carefully remove the covers from the appliance.
- The electrical section is now visible.
- The gas control valve has a test nipple that can be used for measuring the gas control valve pressure. This test nipple has a sealing screw. Loosen the sealing screw by a few turns. Do not completely loosen it as it can be difficult to retighten.
- Open the gas supply.
- Connect a pressure gauge to the test nipple.
- Switch on the power to the appliance using the isolator on the appliance.
- Switch the controller **ON** by setting the **0/I switch** to position **I** .
The display will now show INTERNAL CHECK for about 10 seconds, and will then go to the main menu.

```
INTERNAL CHECK
```

```
SERVICE MENU
HYSTERESE
▲ HISTORY OF ERRORS
▼ APPLIANCE HISTORY
SELECT APPLIANCE
PUMP RELAY
SERVICE INTERVAL
ANTI LEGIONELLA
SOLAR CONFIG.
HEATING CONFIG.
+SERVICE OPERATION
```

7.9.3.1

Procedure for checking the gas control valve pressure

- Select SERVICE OPERATION, FULL LOAD from the service menu.
- Confirm with **[ENTER]**.

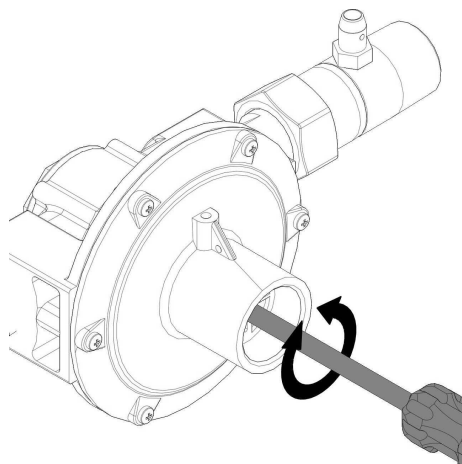
The display shown here will appear.

```
SERVICE OPERATION
FULL LOAD
+PARTIAL LOAD
```

The appliance is now in **PARTIAL LOAD** mode and will ignite.

- You must wait about 1 minute after the display shows the text RUNNING before reading the dynamic pressures (the fan needs this time to get up to full speed, so that a reliable reading can be obtained).
- Use the pressure gauge to read the pressure and compare it against the value from the gas table.
- If necessary, adjust the gas control valve pressure using the reducing valve's adjuster screw (2) until the value is within the range listed in the table.

Fig. Gas control valve pressure adjustment



IMD-1096b R0

7.9.4

CO₂ adjustment

To check the CO₂ value under full load and partial load and to adjust it if necessary, proceed as follows:

1. Isolate the appliance from the power supply (see section 4.2.2).
2. Carefully remove the covers from the appliance.
3. The electrical section is now visible.
4. Place the CO₂ meter's measurement probe in the test nipple (58) of the flue gas outlet pipe (the number is a reference on the General working principle of the water heater (see section 5.1)).
5. Open the gas supply and vent the gas supply line.
6. Use the **main switch** to apply mains voltage to the appliance.
7. Start the appliance (see section 4.1).
8. Go to the [↵] SERVICE OPERATION menu.
9. Generate a heat demand by draining the appliance until it is cold or by raising the value for T_{set} in the SERVICE menu. Use [↑] for this.

Full load measurement

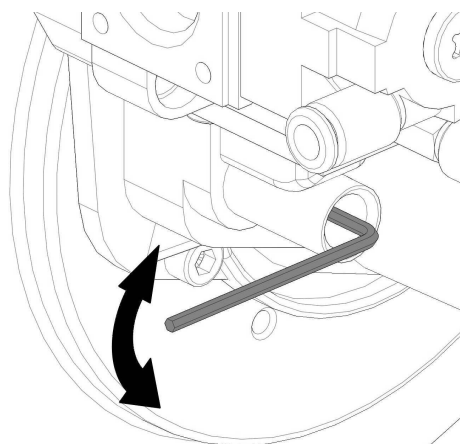
10. From the service menu, select:
 - SERVICE OPERATION | FULL LOAD
 - Confirm with [ENTER].
 The appliance is now in **FULL LOAD** mode and will ignite.



```
SERVICE  ◀  ▶
FULL LOAD  65°C
          Tset 70°C
RUNNING
```

11. The appliance is now running at **FULL LOAD**. Read the value from the CO₂ meter and wait until this measured value has remained stable for some time. This may take several minutes.
12. Then compare the measured CO₂ value against the value from the table.
The CO₂ value at full load must be within ±1.0 vol% of the CO₂ value stated in the table.
13. If necessary, adjust the CO₂ value using the adjuster screw until the value is within the range listed in the table of CO₂ values.
Use the Allen key supplied for this. The key can be found in the plastic bag that is attached to the appliance.

Fig. CO₂ adjustment (full load)



IMD-1095b R0



Note

Turning to the left (anticlockwise) means more gas (higher CO₂ level) and turning to the right (clockwise) means less gas (lower CO₂ level).

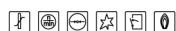
Note

After conversion, you must check that the gas control valve is gastight.

14. If you have increased T_{setr}, set it back to the original value using [↓].
15. Continue with the CO₂ measurement under partial load.

Partial load measurement

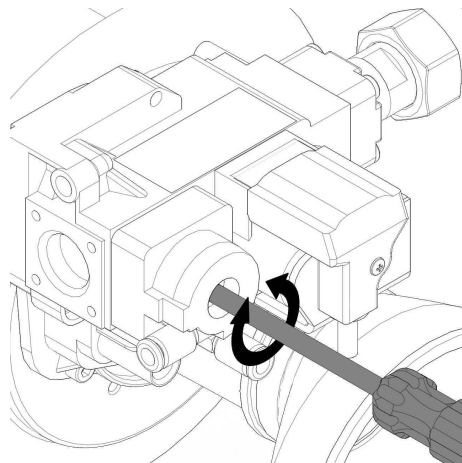
16. From the service menu, select:
 - SERVICE OPERATION | PARTIAL LOAD
 - Confirm with [ENTER].
 The appliance is now in **PARTIAL LOAD** mode and will ignite



```
SERVICE  ▾  ▾
PARTIAL LOAD  65°C
                Tset 70°C
RUNNING
```

17. The appliance is now running at PARTIAL LOAD. Read the value from the CO₂ meter and wait until this measured value has remained stable for some time. This may take several minutes.
18. Compare the CO₂ value measured against the value measured under full load. The CO₂ value at partial load must be within ±0.3 vol% of the CO₂ value measured or adjusted under full load.
19. If necessary, adjust the CO₂ value using the adjuster screw until the value is within 0.3 vol% of the CO₂ value under full load.

Fig. CO₂ adjustment (partial load)



IMD-1095c R0



Note

Turning to the left (anticlockwise) means more less (lower CO₂ level) and turning to the right (clockwise) means more gas (higher CO₂ level).

Note

After conversion, you must check that the gas control valve is gastight.

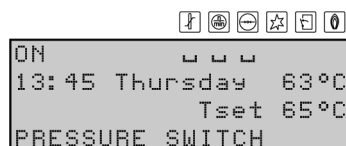
20. Remove the CO₂ measurement probe from the measurement nipple of the flue gas outlet pipe.
21. Put the cap back on the measurement nipple of the flue gas outlet pipe.
22. Shut off the gas supply.
23. Replace the covers.

7.9.5

Switching pressure measurement

To measure the switching pressure, proceed as follows:

1. Isolate the appliance from the power supply (see section 4.2.2).
2. Carefully remove the covers from the appliance.
3. The electrical section is now visible.
4. Remove the black caps from the measurement point of the pressure switch.
5. Connect the + of the pressure gauge to the H of the measurement point of the pressure switch.
6. Connect the - of the pressure gauge to the L of the measurement point of the pressure switch.
7. Zero the pressure gauge.
8. Start the appliance (see section 4.1).
9. The appliance will now run the heating cycle (see section 4.1.1).
10. Read the pressure from the meter at the moment when the appliance switches from PRE PURGE to PRESSURE SWITCH. At this point, the appliance's display will show:



11. Check whether the measured value matches the value from the table.



Note

If the message PRESSURE SWITCH does not appear, there is a fault. This must be resolved first by a qualified service engineer.

12. Shut off the gas supply.
13. Disconnect the pressure gauge.
14. Put the two black caps back on the pressure switch.

15. Replace the covers.

7.9.6 Turn on the water heater

Refer to the procedure in the user part to [Turn on the water heater](#) (see section 4.1).

7.10 Decommisioning

To decommission the water heater:

1. [Turn off the water heater](#) (see section 7.10.1)
2. Drain the water heater

7.10.1 Turn off the water heater

Refer to the procedure in the user part to [Turn off the water heater](#) (see section 4.2) and isolate the water heater from the mains power supply.


7.10.2 Draining

7.10.2.1 Draining unvented installations

Some service activities require the water heater to be drained. The procedure is as follows:

1. Activate the MENU with [].

```
MENU
+OFF
▲ ON
▼ WEEK PROGRAM
```

2. Position the cursor in front of OFF.
3. Confirm OFF with [**ENTER**].
4. Wait until the fan has stopped. The  icon is then dimmed.



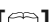

Caution

Failure to wait until the fan stops can cause damage to the water heater.

5. Switch the water heater **OFF** (position **0**) using the **control switch** on the operator interface.
6. Isolate the water heater from the power supply by setting the isolator between the water heater and the mains power supply to position **0**.
7. Shut off the gas supply (10).
8. Close the stop valve (11) in the hot water pipe.
9. Close the supply valve (4) in the cold water inlet (A).
10. Open the drain valve (9).

7.10.2.2 Draining vented installations

Some service activities require the water heater to be drained. The procedure is as follows:

1. Activate the MENU with [].
2. Position the cursor in front of OFF.
3. Confirm OFF with [**ENTER**].
4. Wait until the fan has stopped. The icon  is then dimmed.



Caution

Failure to wait until the fan stops can cause damage to the water heater.

5. Switch the water heater **OFF** (position **0**) using the **control switch** on the operator interface.
6. Isolate the water heater from the power supply by setting the isolator between the water heater and the mains power supply to position **0**.

7. Shut off the gas supply (10).
8. Close the stop valve (11) in the hot water pipe.
9. Close the stop valve (4) between the cold water head tank and the cold water inlet (A).
10. Open the drain valve (9).
11. Bleed the water heater (or installation) so that it drains completely.

7.10.2.3

Draining the solar heating system




Note

No special safety measures are required when working with the diluted glycol solution specified by the manufacturer. For more information about the fluid, please contact the manufacturer.

1. Activate the MENU with .

```
MENU
+OFF
▲ ON
▼ WEEK PROGRAM
```

2. Position the cursor in front of OFF.
 3. Confirm OFF with **[ENTER]**.
 4. Wait until the fan has stopped. The icon  is then dimmed.
-

Caution

Failure to wait until the fan stops can cause damage to the water heater.



Warning

The fluid in the pipes and the pipes themselves can be extremely hot! You should therefore wait until the water heater has cooled down sufficiently.



5. Switch off the solar heating system.
 6. Connect a hose to the lowest drain point in the solar heating system.
 7. Insert the hose into the glycol jerry can.
 8. Open the valve of the lowest drain point.
 9. Open the air bleed point (26) of the solar heating system.
 10. Close the drain point when the jerry can is full.
 11. Insert the hose in a new jerry can.
 12. Repeat steps 6 and 7 until no further glycol comes out of the system.
 13. Close the air bleed point and the valve of the drain point.
 14. Remove the hose.
-



Note

Dispose of the drained glycol in an environment-friendly manner, and according to local regulations.

8

Conversion of gas type



Caution

Conversion of the water heater may only be carried out by a qualified person.

Use a special conversion kit to converse the water heater when:

- The water heater has to operate on a different family of gases (liquid petroleum gas or natural gas).
- The water heater has to operate on a gas category other than that for which the water heater has been configured at the factory.

You can order the conversion kit you need from the supplier of your water heater. The conversion kit contains all the parts needed to do the conversion and a description of how to do the conversion.

The following conversions are possible:

- Conversion from natural gas to LPG.
- Conversion from LPG to natural gas.
- Conversion from natural gas to natural gas.



Caution

After the conversion, make sure that the water heater is gas-tight. Make sure that the supply pressure, the gas control valve pressure, the CO₂ value and the switching pressure have the correct value.

9 Settings

9.1 Operator interface

The operator interface is completely menu-driven and enables the user to change settings and to verify the status and history of the water heater.

For more information about how to use the operator interface, refer to [Operator interface](#) (see section 3).

9.2 Service program

The service program is used by the installation engineer or service and maintenance engineer for:

- Displaying the water heater history;
- Displaying the error history;
- Displaying the water heater history;
- Display the selected water heater;
- Switching the pump on or off;
- Setting the service interval;
- Service mode;
- Setting legionella prevention;
- Solar heating system configuration;
- Setting the central heating configuration.

```
SERVICE MENU
HYSTERESE
^ HISTORY OF ERRORS
v APPLIANCE HISTORY
SELECT APPLIANCE
PUMP RELAY
SERVICE INTERVAL
ANTI LEGIONELLA
SOLAR CONFIG.
HEATING CONFIG.
+SERVICE OPERATION
```

These sub-menus are briefly described in the following paragraphs.



Note

The notation convention for the service menu is identical to that of the [main menu](#) (see section 4.3.1). The difference is, you use to bring up the service program, instead of which brings up the main menu.

9.2.1

Hysteresis

The water heater does not start immediately when the water temperature is below the temperature setpoint. To prevent that the water heater switches on and off too often, there is a margin; the hysteresis.

Call up the menu to set the hysteresis as follows:

- **[F5]:** HYSTERESIS DOWN

```
HYSTERESE DOWN
+3°C
```

Please refer to the [table](#) (see section 12.1) for the regulation interval and settings for each water heater.

9.2.2

Display the error history

Display the error history as follows:

- **[F5]:** ERROR HISTORY

The controller will display an overview of "Blocking errors" and "Lock out errors". In both cases, note that the controller reserves 15 lines for the last 15 error messages. If there are fewer than 15 error messages, an ellipsis (...) is displayed. The display first shows the "Blocking errors". When **[ENTER]** is pressed, the "Lock out errors" are then displayed.

The figure shows an example of "Blocking errors". In this case, the text ERROR HISTORY is followed by (B).

```
HISTORY OF ERRORS(B)
S04 SENSOR ERROR
F06 IONIZATION
▼ C02 50 HZ ERROR
```

The figure shows an example of "Lock out errors". In this case, the text ERROR HISTORY is followed by (L).

```
HISTORY OF ERRORS(L)
F02 FAN
F07 FLAME ERROR
▼ ...
```



Note

For an overview of all errors and the possible causes, please refer to the [relevant chapter](#) (see section 11.1).

9.2.3

Display the water heater history

The water heater history sub-menu is used to display the burning hours, the number of ignitions, the number of flame errors and the number of ignition errors.

Call up the menu for displaying the water heater history as follows:

- **[F5]:** APPLIANCE HISTORY
The figure shows an example.

```
APPLIANCE HISTORY
BURNING HOURS000410
▲IGNITIONS 001000
▼FLAME ERRORS 000021
IGNIT ERROR 000013
```

9.2.4 Display the selected water heater

Call up the menu for displaying the water heater selection as follows:

- [↩]: SELECT APPLIANCE
The water heater number can be found on the rating plate.
The water heater selection has been correctly preset in the factory.

```
APPLIANCE PIN-CODE
+ 5934
^ 8578
v 3379
6527
....
```

9.2.5 Switch the pump on or off

If a program-controlled pump (see section 7.8.3.2) is installed, it can be switched ON or OFF as follows:

- [↩]: PUMP RELAY
The standard setting for the pump relay is OFF.

```
PUMP RELAY
+ON
OFF
```

If the mode WEEK PROGRAM or EXTRA PERIOD is active, then the setting for mode WEEK PROGRAM or EXTRA PERIOD has priority over the ON/OFF selection for the pump relay in the service menu.

Example

One of the week program periods is currently active. During this period, the pump relay setting is OFF. If the pump relay is set ON in the service menu, the pump will nonetheless remain OFF. The pump will only switch ON once the week program period has ended.

9.2.6 Setting the service interval

The service interval is a feature of the controller to help the service and maintenance engineer set the frequency of maintenance.

The service interval is determined by the number of months that the appliance has been running. This can be set to 6, 9 and 12 months. The default service interval is 12 months. When the preset number of months has been reached, an appropriate message will appear (see section 3.6.3).

Set the service interval as follows:

- [↩]: SERVICE INTERVAL

```
SERVICE INTERVAL
6
9 Months
+12
```

To erase the message SERVICE REQUIRED, refer to Finalization (see section 10.5).

9.2.7 Service mode

The Installation engineer uses the SERVICE OPERATION menu to adjust the water heater CO₂ setting during FULL LOAD and PARTIAL LOAD operation.

Use [↔]:SERVICE OPERATION to display the SERVICE OPERATION menu.

```
SERVICE OPERATION
+FULL LOAD
PARTIAL LOAD
```

[↓] and [↑] can be used to switch between PARTIAL LOAD and FULL LOAD.

If there is a heat demand, the water heater will first run through a startup cycle, then continue to operate in **FULL LOAD** or **PARTIAL LOAD** mode.

If there is no heat demand, the installation engineer must create one. This can be done by draining the water heater until it is cold or by temporarily raising the set point using [↑]. After adjustment, the set point must be set back to the original value using [↓].

if you exit the SERVICE OPERATION menu or if no buttons are pressed for a period of 15 minutes, the water heater will revert to the original operating mode.

Temporarily raising the setpoint during FULL LOAD or PARTIAL LOAD

1. [↔]:>:SERVICE OPERATION.

```
SERVICE OPERATION
+FULL LOAD
PARTIAL LOAD
```

2. Select FULL LOAD or PARTIAL LOAD.
The example below describes the situation for FULL LOAD, which is identical to that for PARTIAL LOAD.
3. Confirm with [ENTER].

```

f ⊕ ⊖ ⊗ ⊞ ⊠ ⊡
SERVICE  ▾          ▽ ▽
FULL LOAD          47°C
                Tset 65°C
RUNNING
```

4. To create a heat demand, you can temporarily raise the set point using [↑] to e.g. 70°C.

```

f ⊕ ⊖ ⊗ ⊞ ⊠ ⊡
SERVICE  ▾          ▽ ▽
FULL LOAD          47°C
                Tset 70°C
RUNNING
```

5. Confirm with [ENTER].
6. After adjusting for the CO₂ value (see section 7.9.4), you must use [↑] to restore the set point to its original value.
7. Press [↔] twice to return to the MENU menu via the SERVICE OPERATION menu.

```
MENU
+OFF
▲ ON
▼ WEEK PROGRAM
EXTRA PERIOD
SETTINGS
```

9.2.8

Setting legionella prevention

To prevent infection with legionella bacteria, the water heater heats the water to 65 °C once per week, for 1 hour. This period is adjustable. By default, this period is set to Monday from 02:00 to 03:00 hours.

9.2.8.1

Switching legionella prevention on and off

To switch legionella prevention on or off, select:

- [↩]: ANTI LEGIONELLA

```
ANTI LEGIONELLA
+YES
NO
```

- Select NO to switch legionella prevention off.
- Select YES to switch legionella prevention on. The following screen appears:

```
ON MO 02:00 LEG
OFF MO 03:00
Tset 65°C
+START CHANGE
```

- Select START to activate the period currently displayed. The following display appears. This display indicates that legionella prevention is switched on.

```
LEG MONDAY 02:45 60°C
MO 03:00 Tset 65°C
RUNNING
```

9.2.8.2

Changing legionella prevention start time

If you wish to change the start time, select:

- [↩]: ANTI LEGIONELLA | YES | Change
The following display appears.

```
ON +MO 02:00 LEG
OFF MO 03:00
Tset 65°C
START
```

- Now set the day and time the same way as described for setting an [extra period in the week menu](#) (see section 4.3.9). In this case however, the pump will be automatically started.
- Select START to start.

9.2.9

Solar heating system configuration

Use the solar heating system settings menu to reach the menus shown here:

```
SOLAR CONFIG.
+DRAIN BACK
▲ TEST SOLAR PUMP
▼ SOLAR LIMIT TEMP
SOLAR DIFFERENCE
Q/T-SENSOR
CONTRIBUTION
TEMPERATURES
```

9.2.9.1

Setting the drain-back tank

Use this menu to specify whether the solar heating system is equipped with a drain-back tank for the heating fluid. Call up the menu as follows:

- [↩]: SETTINGS SOLAR | DRAIN BACK.

The default is NO.

```
DRAIN BACK
+YES
NO
```



Note

During commissioning, it is important to check whether this setting corresponds with the configuration of the solar heating system.

9.2.9.2

Switching on the solar pump

This menu lets you switch on the pump in the solar heating system manually. Call up this menu as follows:

- [☞]: SETTINGS SOLAR | TEST SOLAR PUMP.

The following display appears.

```
TEST SOLAR PUMP
+START
```

When START is selected, the pump will start to run for two minutes. Once the 2 minutes have elapsed, the pump stops running again.

9.2.9.3

Setting the solar limit

The solar limit temperature is the maximum water temperature obtained in the appliance via the solar heating system (measured by sensor T_1).

This value can be set between 65 and 80 °C. The default value is 65 °C.

If you set the solar limit higher than the set point (see section 4.3.3), then the solar pump will be started in order to heat the water further once the set point has been reached. However, this only makes sense if the solar heating system is actually generating heat. This makes use of the difference between the temperature at the top of the solar collector (S_1) and that in the appliance (measured by S_2).

Call up the menu for the solar limit as follows:

- [☞]: SETTINGS SOLAR | SOLAR LIMIT.

```
SOLAR LIMIT TEMP
+65 °C
```

Please refer to the table (see section 12.1) for the adjustment range and default value for each appliance.

9.2.9.4

Setting the solar difference

The solar difference is a value that influences how the operating cycle of the water heater proceeds. Call up the menu as follows:

- [☞]: SETTINGS SOLAR | SOLAR DIFFERENCE.

```
SOLAR DIFFERENCE
+5 °C
```

Please refer to the table (see section 12.1) for the regulation interval and default value for each water heater.

9.2.9.5

Setting the Q/T sensor

The energy contribution of the solar heating system can be calculated (see section 9.2.9.6) using the Q/T sensor. This calculation is only possible if your installation is equipped with such a Q/T sensor. If this is the case, then you must set this value to YES, otherwise NO. Call up the corresponding menu as follows:

- [↩]: SETTINGS SOLAR | Q/T SENSOR.

```
Q/T-SENSOR
+YES
NO
```

9.2.9.6

Displaying contribution

This option enables you to read out how much energy the solar heating system supplies. For this data to be displayed, the installation must be equipped with a Q/T sensor (see section 9.2.9.5).

Three values are reported on the display:

- ACTUAL, actual energy: the amount of energy currently being supplied.
- LAST 24hr, energy supplied over last 24 hours.
- TOTAL, total energy supplied since day 1.

Call up this menu as follows:

- [↩]: SETTINGS SOLAR | CONTRIBUTION.

```
CONTRIBUTION
ACTUAL      00000 kW
LAST 24 hr  00000 MJ
TOTAL       00000 GJ
```

9.2.9.7

Displaying temperatures

This option lets you read what the solar heating system's sensors are recording. Two values are reported on the display:

- S1, temperature in the collector.
- S2, temperature between the inlet and outlet of the heat exchanger in the tank.

Call up this menu as follows:

- [↩]: SETTINGS SOLAR | TEMPERATURES.

```
TEMPERATURES
S1      84°C
S2      45°C
```

9.2.10

Setting the central heating configuration

Use this menu to specify whether a central heating system is connected to the installation.



Note

This function is not yet available.

- [↩]: SETTINGS HEATING.

```
HEATING CONFIG.
+HEATING CONNECTED
▲ HEATING SETPOINT
▼ SIMULTANEITY
```


10 Maintenance

The water heater needs maintenance at least once a year. The maintenance interval is determined by the water quality, the average burning time each day and the set water temperature.

On the operator interface, the maintenance interval can be set as a reminder. The display shows SERVICE REQUIRED when the pre-set interval has elapsed.

To determine the correct interval, Lochinvar recommends to do a system check on both the water and the gas side, three months after installation.



Note

Do maintenance to maintain an effective and efficient transfer of heat to the water. This significantly increases the service life of the water heater.

Note


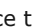

When needed, spare parts can be ordered. To be sure that you receive the correct spare parts, look at the data plate for the full serial number, the water heater model, and the used gas category. Use this information when you order the spare parts.

Do the following maintenance activities:

- [Preparation](#) (see section 10.1)
- [Water side maintenance](#) (see section 10.2)
- [Gas side maintenance](#) (see section 10.3)
- [Solar collector maintenance](#) (see section 10.4)
- [Finalization](#) (see section 10.5).

10.1 Preparation

To test whether all components are still working properly, complete the following steps:

1. Activate the MENU with [].
2. Use [] and [] to place the cursor beside OFF.
3. Confirm OFF with [**ENTER**].



```
MENU
+OFF
▲ ON
▼ WEEK PROGRAM
```

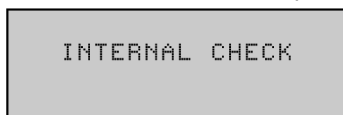
4. Wait until the fan has stopped. The icon  is then dimmed.



Caution

Failure to wait until the fan stops can cause damage to the water heater.

5. Switch the appliance **OFF** (position **0**) using the **control switch** on the operator interface.
6. Switch the controller **ON** by setting the **control switch** to position **I**.



```
INTERNAL CHECK
```

The display will now show INTERNAL CHECK for about 10 seconds, and will then go to the main menu.



7. Activate **ON mode** by going through the following steps:
 - Press once on the blue arrow [**↓**] to position the cursor beside ON, then press [**ENTER**].
 - Confirm the selection START OPERATION with [**ENTER**].
8. If there is no heat demand, then raise T_{set} . (see section 4.3.3) Note the original setting. Draw some hot water off to create heat demand.
9. Check whether the heating cycle runs correctly (see section 4.1.1).
10. If you have adjusted T_{set} , return it to the original value (see section 4.3.3).
11. Remove the plastic cover on the top of the appliance.
12. Check the supply and burner pressures (see section 7.9.2) and adjust them where necessary.
13. Check that all components of the chimney flue system are properly attached.
14. Check the pressure differential across the pressure switch (see section 7.9.5) and, if this is too low, the heat exchanger should be cleaned (see section 10.3.2).
15. Test the operation of the overflow valve of the protected cold supply setup. The water should spurt out.
16. Check the drainage pipes from the discharge points of all valves and remove any scale deposits that may be present.
17. Drain the water heater, see draining (see section 7.10.2).

10.2 Water-side maintenance

To do water side maintenance:

- Descale the tank (see section 10.2.1)
- Clean the condensate drain (see section 10.2.2)

10.2.1 Descale the tank

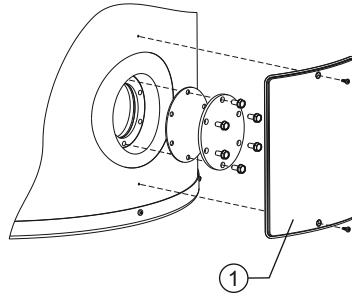
Scale and lime build-up prevent effective conduction of the heat to the water. Periodic cleaning and descaling prevents build-up of these deposits. This increases the service life of the water heater, and also improves the heating process.

Take the rate of scale formation into account when deciding on the service interval. Scale formation depends on the local water composition, the water consumption and the water temperature setting. A water temperature setting of maximum 60°C is recommended for the prevention of excessive scale build-up.

To guarantee a good, watertight seal around the cleaning opening, replace the gasket, washers, bolts and, if necessary, the lid with new parts before reassembly (see the figure). A special set is obtainable from the supplier/manufacturer.

To simplify descaling and cleaning of the tank, the water heater is equipped with two cleaning openings.

Fig. Cleaning opening



IMD-0080 R1

1. Remove the cover plate (1) on the outer jacket (see the figure).
2. Undo the bolts.
3. Remove the cover and the gasket.
4. Inspect the tank and remove the loose scale deposits and contamination.
5. If the scale cannot be removed by hand, descale the water heater with a descaling agent. Contact the supplier/manufacturer for advice on what descaling agent to use.
6. Close the cleaning opening. To avoid damage to the tank, tighten the bolts that fasten the lid with a torque no greater than 50 Nm. Use suitable tools for this.

10.2.2

Clean the condensate drain

To prevent blockages, it is essential to clean the condensation water discharge and condensation trap regularly.

10.3

Gas-side maintenance

Do gas side maintenance when the water heater does not operate correctly, the air pressure differential is not correct and/or the CO₂ value is not correct.

To do gas side maintenance:

- [Clean the burner](#) (see section 10.3.1)
- [Clean the heat exchanger](#) (see section 10.3.2)

10.3.1

Clean the burner

1. Detach the burner.
2. Remove all contamination present on the burner.
3. Fit the burner.

10.3.2

Clean the heat exchanger

1. Detach the burner.
2. Clean the combustion chamber of the heat exchanger using a vacuum cleaner and a soft brush.
3. Detach the chimney flue.
4. Clean the end of the heat exchanger using tap water.
5. Fit the burner.
6. Fit the chimney flue.



Note

Check the pressure differential again after cleaning. If the pressure differential is too low following cleaning, please contact the supplier of the water heater.

10.4

Solar collector maintenance

See installation or users' manual for the solar collector. If this topic is not covered in the manual, then contact the supplier of the collectors.

10.5

Finalization

To finalize the maintenance, carry out the following steps:

1. Fill the water heater (see section 7.9.1).
2. Start the water heater (see section 4.1).
3. Check the CO₂ value (see section 7.9.4).
4. Check the switching pressure of the pressure switch (see section 7.9.5).
5. Erase the message SERVICE REQUIRED. The displayed message can be reset in either of two ways:
 - *Temporary reset:* To postpone the message, press RESET once. The message will reappear on the display 7 days later.
 - *Full reset:* To fully reset the message, press and hold both RESET and ENTER at the same time for 5 sec.

On completion of the full reset of the message, the message below will appear on the display. This message will NOT be shown after a temporary reset of the message.

```
RESET
SERVICE INTERVAL
SUCCESFUL
```


11 Troubleshooting

11.1 Errors and warnings

The water heater can have three different kinds of errors and warnings:

- General errors, which are not displayed
- Displayed errors, which are divided in two different groups:
 - Lock out errors: when the cause is removed, you can reset the error to resume operation. The displayed code and the back-light of the display blink.
 - Blocking errors: when the cause is removed, the error resets automatically to resume operation. The code is displayed continuously and the back-light of the display blinks.

Errors are reported on the display as follows:

- Line one: an error code and a brief description. The code consists of a letter and two digits.
- Lines two, three and four: a long description, alternating with a recommended action. See the figures. The first shows a possible error, the second shows the appropriate checking action.

```
S02: SENSOR ERROR
      TOP TANK
      SENSOR 1
      NOT CONNECTED
```

```
S02: SENSOR ERROR

      CHECK TOP TANK
      SENSOR
```

- Displayed warnings



Note

It is possible to view the error history of the water heater, refer to [Error history](#) (see section 9.2.2).

11.1.1

General errors



Note

For the coding of the connections, refer to the Electrical wiring diagram.

Indication	Cause	Measure
Gas smell	There is a gas leak	<ul style="list-style-type: none"> • Close the mains gas valve at once. • Do not operate any switches. • No naked flames. • Ventilate the boiler room. • Immediately contact your installation engineer or your local gas company.
The display is off	The water heater is off.	Turn on the water heater (see section 4.1).
	There is no supply voltage.	Make sure that: <ul style="list-style-type: none"> • the control switch is set to I. • the isolator is in ON position. • there is power on the isolator. • there is power to the electrical connector block. The measured voltage must be 230 V _{AC} (-15%, +10%).
	Defective fuse(s)	Replace the fuse(s).
Water leakage	There is a leakage from a threaded water connection.	Tighten the threaded connection.
	There is a condensate leakage	Make sure that the condensation water discharge is working properly. If necessary, correct the water discharge.
	There is a leakage from another nearby water heater or pipe segment.	Trace the leakage.
	There is a leakage from the water heater tank.	Contact the supplier of your water heater.
Explosive ignition	The gas supply pressure is incorrect.	Check the gas supply pressure, refer to Gas supply pressure.
	The CO ₂ value is incorrect.	Check the CO ₂ value, refer to CO ₂ value.
	The burner is contaminated.	Clean the burner, refer to <u>Gas-side maintenance</u> (see section 10.3).
	There is an air leakage between the venturi and the flexible air connector.	Make sure that: <ul style="list-style-type: none"> • the flexible air connector is not damaged. If necessary, replace the flexible air connector. • the flexible air connector is correctly connected to the venturi. If necessary, tighten the clamp.

Indication	Cause	Measure
Insufficient or no hot water	The water heater is off.	Turn on the water heater (see section 4.1).
	There is no supply voltage.	Make sure that: <ul style="list-style-type: none"> the control switch is set to I. the isolator is in ON position. there is power on the isolator. there is power to the electrical connector block. The measured voltage must be 230 V _{AC} (-15%, +10%).
	The hot water supply is used up.	Reduce the hot water consumption. Wait until the water heater heats up.
	The controller is in the OFF mode.	Set the controller in the ON mode.
	The temperature (T _{set}) is set too low.	Set the temperature (T _{set}) to a higher value.
Glycol leakage	Leakage from a fluid connection (threaded)	Tighten the threaded connection.
	Leakage from a component	1. Tighten component joints 2. Any defective components must be replaced
	Leakage from solar heating system	Consult the supplier and/or manufacturer

11.1.2

Displayed errors



Note

For the coding of the connections, refer to the Electrical wiring diagram.

Note

Contact your service and maintenance engineer if the error persists.

Code and description	Cause	Measure
S01 (blocking error) Open circuit from temperature sensor T ₂ at the bottom of the tank.	Sensor is not (correctly) connected	Connect the sensor lead to JP3
	Damaged cable and/or defective sensor	Replace the cable and/or sensor
S02 (blocking error) Open circuit from sensor 1 of temperature sensor T ₁ at the top of tank ₍₁₎ .	Sensor is not (correctly) connected	Connect the sensor lead to JP5
	Damaged cable and/or defective sensor	Replace the cable and/or sensor
S03 (blocking error) Open circuit in sensor 2 of temperature sensor T ₁ at the top of the tank ₍₁₎ .	Sensor is not (correctly) connected	Connect the sensor lead to JP5
	Damaged cable and/or defective sensor	Replace the cable and/or sensor
S04 (blocking error) Open circuit from dummy 1.	Dummy is not (correctly) connected	Connect the dummy sensor (dummy sensor 1 and 2) leads to JP4.
	Defective dummy	Replace the dummy sensor
S05 (blocking error) Open circuit from dummy 2	Dummy is not (correctly) connected	Connect the dummy sensor (dummy sensor 1 and 2) leads to JP4.
	Defective dummy	Replace the dummy sensor

Code and description	Cause	Measure
S07 (blocking error) Open circuit from temperature sensor S ₂ at the bottom of the tank.	Sensor is not (correctly) connected	Connect the sensor lead to J14 (ports 2 and 4) of the solar controller
	Damaged cable and/or defective sensor	Replace the cable and/or sensor
S08 (blocking error) Open circuit from temperature sensor S ₁ in the collector.	Sensor is not (correctly) connected	Connect the sensor lead to J13 (ports 2 and 4) of the solar controller
	Damaged cable and/or defective sensor	Replace the cable and/or sensor
S11 (blocking error) Short circuit in temperature sensor T ₂ at the bottom of the tank.	Short circuit in sensor circuit	Replace the cable and/or sensor.
S12 (blocking error) Short circuit in sensor 1 of temperature sensor T ₁ at top of tank ₍₁₎	Short circuit in sensor circuit	Replace the cable and/or sensor.
S13 (blocking error) Short circuit in sensor 2 of temperature sensor T ₁ at the top of the tank (1).	Short circuit in sensor circuit	Replace the cable and/or sensor.
S14 (blocking error) Short circuit from dummy 1	Short circuit in sensor circuit	Replace the cable dummy sensor (2).
S15 (blocking error) Short circuit from dummy 2	Short circuit in sensor circuit	Replace the cable dummy sensor (2).
S17 (blocking error) Short circuit from temperature sensor S ₂ at the bottom of the tank.	Short circuit in sensor circuit	Replace the cable and/or sensor
S18 (blocking error) Short circuit from temperature sensor S ₁ in the collector.	Short circuit in sensor circuit	Replace the cable and/or sensor
F01 (blocking error) Defect in power supply circuit	Live and neutral connected wrong way around.	Be sure to <u>connect the live and neutral correctly</u> (see section 7.8); the water heater is phase-sensitive
	Condensation on the flame probe	<ul style="list-style-type: none"> • Disconnect the lead at the flame probe • Ignite the water heater three times, with an interrupted ionisation circuit • Reconnect the ionisation lead to the flame probe • Ignite the water heater again • The repeated ignition attempts will have caused the condensation to evaporate
	Floating neutral	Install an <u>isolating transformer</u> (see section 7.8.3.1)

Code and description	Cause	Measure
F02 (lock out error) Fan fails to run at correct speed.	Defective motor and/or rotor.	<ul style="list-style-type: none"> • Check the motor and rotor • Replace the fan if the motor or rotor is defective. • Reset controller
	Damaged wiring	<ul style="list-style-type: none"> • Check the wiring between the fan and the controller. • If any wires are damaged, the wiring harness must be replaced. • Reset controller
	Contaminated or blocked fan	<ul style="list-style-type: none"> • Check if the fan is dirty and repair it if necessary. • Check that the rotor can rotate freely • Reset controller
	Because of a drop in the supply voltage, the fan will not run at the correct speed.	<ul style="list-style-type: none"> • Check the supply voltage, this must be 230 VAC(-15%, +10%) • Reset controller
F03 (lock out error) The pressure switch fails to work correctly	Damaged wiring/Open circuit	<ul style="list-style-type: none"> • Check the wiring between the pressure switch and the controller • If necessary, replace the wiring
	Pressure switch not closing	<ul style="list-style-type: none"> • Check the speed of the fan. • Check that the hoses on the pressure switch and the air supply hose between fan and burner are correctly fitted. Refit them if necessary • Check for cracks in the hoses on the pressure switch and in the air supply hose between fan and burner. If necessary, replace the hoses. • Check whether the chimney flue is compliant. • Check for blockage in the chimney flue. Remove any blockage that may be present • Check for blockage in the condensation water discharge. Remove any blockage that may be present. • Measure the pressure differential across the pressure switch. See the table. If there is insufficient pressure differential, clean the heat exchanger. If the pressure differential is acceptable, check that the pressure switch is closing, using a multimeter

Code and description	Cause	Measure
F04 (lock out error) Three unsuccessful ignition attempts.	No gas	<ul style="list-style-type: none"> Open the main gas supply valve and/or the manual gas supply valve before the gas control valve Check supply pressure to the gas control valve If necessary, restore the gas supply
	Air in the gas pipes	Bleed the air out of the gas pipe (see section 7.9.2) and measure the supply pressure and burner pressure.
	Defect in the hot surface igniter circuit	<ul style="list-style-type: none"> Check that the hot surface igniter is correctly connected (JP2). Check the wiring of the hot surface igniter. Measure the resistance across the hot surface igniter. This must lie between 2 and 10 Ohm (at room temperature). Check that the hot surface igniter lights up during ignition. If necessary, replace the hot surface igniter.
	Defect in the ionisation circuit	<ul style="list-style-type: none"> Check that the flame probe is correctly connected (JP2) Check the wiring of the flame probe Measure the ionisation current. This must be a minimum of 1.5 microA. If necessary, replace the wiring.
	Supply voltage too low	Check the supply voltage, this must be 230 VAC(-15%, +10%)
F05 (lock out error) Too many flame errors have been signaled.	Incorrect roof or wall flue terminal. Recirculating flue gases.	<ul style="list-style-type: none"> Check that the correct roof or wall flue terminal has been installed (see section 7.7). If necessary, install the correct roof or wall flue terminal. Check that the roof or wall flue terminal discharges into a permitted area.
F06 (blocking error) Short circuit between flame probe and earth	Damaged cable in contact with metal surface or bent flame probe.	Check the wiring and the flame probe. Replace the wiring and/or flame probe if necessary.
	Ceramic part of the flame probe is broken/cracked.	<ul style="list-style-type: none"> Check whether the ceramic part of the flame probe is still intact, in the vicinity of the air distribution plate of the burner. If not the flame probe must be replaced.
F07 (lock out error) A flame has been detected after the gas control valve was closed.	Defective gas control valves	<ul style="list-style-type: none"> Check whether there is still burner pressure present, after the gas control valves have closed. Check whether a flame is still present, after the gas control valves have closed. If this is the case, the gas control valve must be replaced.
F08 (lock out error) Error message from safety relay	Flame detection before the gas control valve opened.	<ul style="list-style-type: none"> Reset controller. If the error appears again, replace the controller.
F09 (lock out error) Water temperature protection.	Temperature at the top of the tank exceeds 93 °C.	<ul style="list-style-type: none"> Check that the circulation pump (if present) is working Check the position of temperature sensor T₁ Reset controller

Code and description	Cause	Measure
F11 (blocking error) Flame detection with closed gas control valve.	Defective gas control valves	See F07.
F18 (blocking error) Communication error	No power supply at solar controller	<ul style="list-style-type: none"> • Check that there is power to the solar heating system controller • 2. The measured voltage must be 230 VAC (-15%, +10%)
	No cable or damaged cable	<ul style="list-style-type: none"> • Check the wiring (communication cable) between the main controller and the solar heating system controller • If cable missing, connect the cable • If cable damaged, replace the cable
	Short circuit Q/T-sensor	<p>Check whether the Q/T-sensor is connected correctly to the controller.</p> <ul style="list-style-type: none"> • Disconnect the Q/T-sensor. • In case of disappearing communication error, the Q/T-sensor must be replaced.
F19 (blocking error) Power supply voltage is too low.	There is not enough supply voltage.	<ol style="list-style-type: none"> 1. Check that there is power to the controller 2. The measured voltage must be 230 VAC (-15%, +10%)
C02 (lock out error) Error message from the controller.	Incorrect reference voltage from the AD converter.	<ol style="list-style-type: none"> 1. Reset controller. 2. Check that the frequency of the power supply is compliant. If not, contact your installation engineer 3. If the frequency is correct but the error persists, replace the controller.
Internal error message from the controller.	<ul style="list-style-type: none"> • EEPROM read error • 50 Hz error • Internal communication error 	
Internal error message from the controller.	<ul style="list-style-type: none"> • Gas valve relay error • Safety relay error • Ignition relay error • RAM error • EEPROM error • EEPROM contents do not match the software version • Processor software error 	
C03 (blocking error) Reset error	Too many resets in too short a period	Wait for the error to disappear (maximum 1 hour). If the error does not disappear, replace the water heater controller.
C04 (blocking error) Appliance selection error	Incorrect water heater selection / Incorrect selection resistor	<ol style="list-style-type: none"> 1. Check whether the correct water heater is selected. 2. If the correct water heater is selected, fit the correct selection resistor. 3. If incorrect water heater selected, select the correct one.
C05 (blocking error) Error message from the solar controller	<ul style="list-style-type: none"> • Incorrect reference voltage from the AD converter. • EEPROM error 	<ul style="list-style-type: none"> • Reset controller. • <u>Check that the frequency of the power supply is compliant</u> (see section 12.1). If this is not the case, contact your installation engineer. • If the frequency is correct but the error persists, replace the solar controller.
E01 (blocking error) The temperature protection at the top of the tank has been activated.	The temperature of the water at the top of the tank is > 88 °C.	None. This is a temporary message that may appear from time to time, but will disappear automatically.

Code and description	Cause	Measure
E03 (lock-out error) Error in temperature sensor T ₁ at the top of the tank.	The two temperature sensors in the tank detect a difference of > 10°C over a period of at least 60 seconds.	1. Check sensor position and wiring. 2. Reset the controller if necessary. Replace the sensor if the error persists.
E04 (lock-out error) Defect in the dummy sensor(2).	The two temperature sensors detect a difference of >10 °C over a period of at least 60 seconds.	1. Check the wiring of the dummy 1 and dummy 2. 2. Reset the controller if necessary. Replace the dummy sensor if the error persists.

11.1.3

Warnings



Note

For the coding of the connections, refer to the Electrical wiring diagram.

Indication	Cause	Remark
Maximum burning hours: Service is required	The actual burning hours have exceeded the pre-set burning hours.	The water heater operates, but displays this warning. Periodic maintenance is a part of the <u>Warranty</u> . When you do not obey this condition, the warranty will void.
Anode protection is not working	<ul style="list-style-type: none"> The cables between the potentiostat and anodes are loose or have been connected incorrectly. The earth connection of the anodes is loose. The water heater is not filled with water. 	1. Connect the wiring correctly and the warning will disappear. 2. If the wiring is correct but the warning remains, check that the earth connection is good and whether the tank is filled with water. Note The water heater is functioning, but there is no anode protection for the tank.
Solar heating system pump or Q/T sensor not correctly connected	Lead(s) loosened or incorrectly connected	1. Connect the pump or Q/T sensor properly and the warning will disappear. 2. If correctly wired but the warning remains, replace pump or sensor. To replace the necessary parts, you must contact your installation engineer
Q/T sensor not identified	Identification failed	1. Disconnect appliance and Solar Heat Master briefly from the mains. 2. Check the wiring. 3. If disconnecting has not helped and the wiring is okay, and the Q/T sensor still isn't recognized, then the Q/T sensor or the Solar Heat Master is defective.

Indication	Cause	Remark
Collector temperature too high	Temperature S_1 is greater than $T_{\text{collector max}}$.	<p>1. You can let the message disappear automatically by allowing the heating fluid to cool down.</p> <p>2. You can also manually eliminate the message by pressing the RESET and ENTER buttons simultaneously.</p> <p>Non-drainback systems:</p> <p>The solar systems pump runs at full power for 10 minutes, pumping the fluid in the solar system round. If $T_{\text{col}} > T_{\text{collector max}}$ after this has elapsed, the pump will stop running for 30 minutes. After 30 minutes, the pump will start running again and the controller of the solar heating system checks whether T_{col} is less than $T_{\text{collector max}}$.</p> <p>Drain-back systems:</p> <p>The solar system's pump stops running immediately (for 30 minutes). After 30 minutes, the pump will start running again and the controller of the solar heating system checks whether T_{col} is less than $T_{\text{collector max}}$.</p>

12 Appendices

12.1 Technical details

Description	Unit	HWHC 44-370	HWHC 63-370
General			
Contents	liters	377	377
Empty Weight	kg	245	245
Maximum floor load	kg	622	622
Maximum working pressure	kPa (bar)	800 (8)	800 (8)
Maximum working pressure - Heat exchanger	kPa (bar)	600 (6)	600 (6)
Control thermostat - adjustment range	°C	40...80	40...80
Control thermostat - default value	°C	65	65
Hysteresis downwards - adjustment range	°C	2...12	2...12
Hysteresis downwards - default value	°C	5	5
Adjustment range for solar differential	°C	0...8	0...8
Solar differential default value	°C	3	5
Adjustment range for solar limit	°C	65...80	65...80
Solar limit default value	°C	65	65
Number of (electrical) anodes	-	2	2
Observed pressure differential across the pressure switch	Pa	≥ 165	≥ 165
Heating time $\Delta T = 45 \text{ }^\circ\text{C}$	min.	15	11
Electrical			
Electrical power consumption of the appliance	W	60	120
Electrical power consumption of the solar controller	W	max. 700	max. 700
Supply voltage (-15%, +10% VAC)	volts	230	230
Mains frequency ($\pm 1\text{Hz}$)	Hz	50	50
IP class	-	IP 20	IP 20

Description	Unit	HWHC 44-370	HWHC 63-370
Load profile	-	XXL	XXL
Energy Efficiency Class (Energy Label)	-	A	A
Energy Efficiency	%	90	92
Daily Electricity Consumption	kWh	0.259	0.260
Daily Fuel Consumption	kWh GCV	26.802	26.192
Mixed Water 40°C (V40)	ltr.	∞	∞
Additional Load Profile	-	-	-
Energy Efficiency	%	-	-
Daily Electricity Consumption	kWh	-	-
Daily Fuel Consumption	kWh GCV	-	-
Mixed Water 40°C (V40)	ltr.	-	-

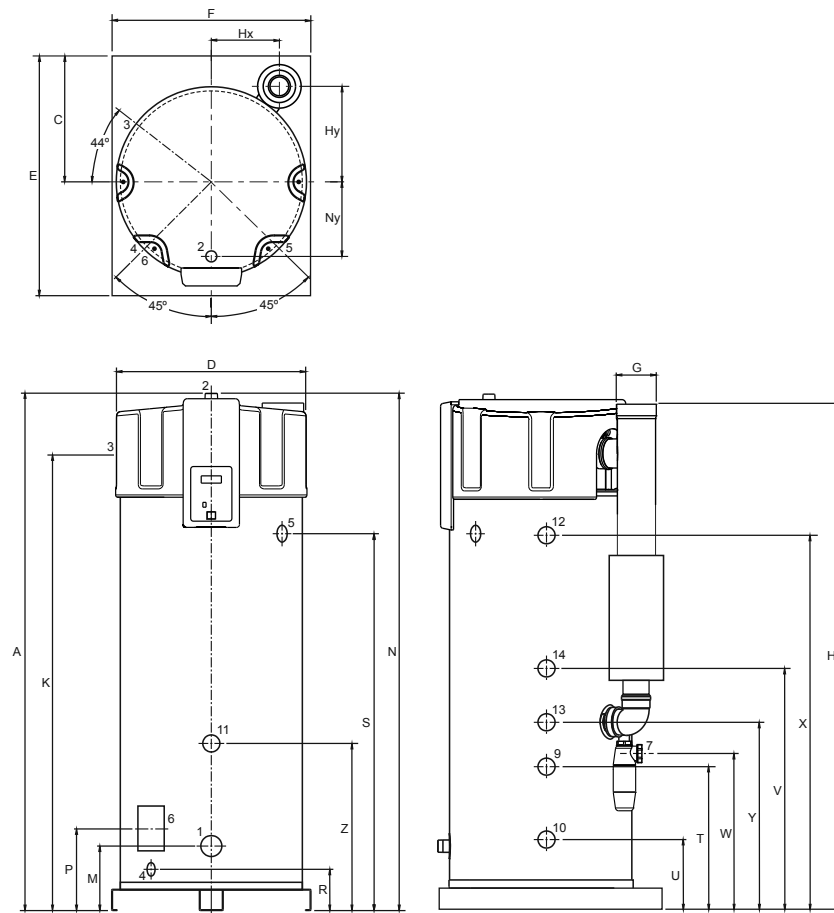
Description	Unit	Value
Maximum mains pressure of cold water supply	kPa (bar)	800 (8)
T&P overflow pressure	kPa (bar)	1000 (10)
T&P overflow temperature	°C	97

12.2 Dimensions

Size	Description	Unit	HWHC 44-370	HWHC 63-370
A	Overall height	mm	2055	2055
C	Position on pallet	mm	490	490
D	Appliance diameter	mm	705	705
E	Depth	mm	925	925
F	Width	mm	850	850
G	Diameter of flue gas discharge	mm	100/150	100/150
H	Height of flue gas outlet/air supply	mm	2020	2020
Hx	x position flue gas outlet	mm	260	260
Hy	y position flue gas outlet	mm	370	370
K	Height of gas connection	mm	1960	1960
M	Height of cold water supply	mm	185	185
N	Height of hot water outlet	mm	2055	2055
Ny	y position of hot water outlet	mm	205	205
P	Height of cleaning opening	mm	365	365
R	Height of drain valve connection	mm	180	180
S	Height of T&P valve connection	mm	1555	1555
T	Height of coil inlet	mm	630	630
U	Height of coil outlet	mm	305	305
V	Height of recirculation connection	mm	1035	1035
W	Height of condensation drain	mm	765	765
X	Height of heat exchanger supply	mm	1465	1465
Y	Height of heat exchanger discharge	mm	855	855
Z	Height of electric element connection	mm	755	755
1	Cold water supply connection (external)	-	R 1 ¹ / ₂	R 1 ¹ / ₂
2	Hot water outlet (male)	-	R 1 ¹ / ₂	R 1 ¹ / ₂
3	Gas control valve connection (external)	-	R 3 ³ / ₄ "	R 3 ³ / ₄ "
4	Drain valve connection (internal)	-	3 ³ / ₄ "	3 ³ / ₄ "
5	T&P valve connection (female)	-	1"-11.5 NPT	1"-11.5 NPT
6	Cleaning/inspection opening	mm	95 x 70	95 x 70
7	Condensation drainage connection (female)	-	Ø 40	Ø 40
9	Coil inlet connection (female)	-	Rp 1	Rp 1
10	Coil outlet connection (female)	-	Rp 1	Rp 1
11	Electric element connection (female)	-	Rp 1 ¹ / ₂	Rp 1 ¹ / ₂

Size	Description	Unit	HWHC 44-370	HWHC 63-370
12	Heat exchanger supply connector (female)	-	Rp 1	Rp 1
13	Heat exchanger outlet connector (female)	-	Rp 1	Rp 1
14	Recirculation connection (female)	-	Rp 1	Rp 1

Fig. Dimensions HWHC



IMD-0773 R0

12.3 Gas details

Description	Unit	HWHC 44-370	HWHC 63-370
Gas category 2H (G20)			
Diameter of the venturi restrictor	mm	-	-
Nominal Load (gross)	kW	45.2	64.4
Nominal output	kW	43.5	61.5
Supply pressure	mbar	20	20
CO ₂ (full load)	vol%	9.0 ± 1.0	9.0 ± 1.0
O ₂ (full load)	vol%	4.8 ± 1.8	4.8 ± 1.8
Gas consumption ⁽¹⁾	m ³ /h	4.2	6.0
NO _x -emission	mg/kWh GCV	29	31
Mass flow rate flue gases (minimal load)	kg/h	24.3	24.3
Mass flow rate flue gases (nominal load)	kg/h	72.0	102.6
Flue gas temperature (nominal load)	°C	52	59
Gas category 3P (G31)			
Diameter of the venturi restrictor	mm	6.00	6.00
Nominal Load (gross)	kW	44.2	63.0
Nominal output	kW	43.5	61.5
Supply pressure	mbar	37...50	37...50
Gas control valve pressure	mbar	12.0 ± 2.0	12.0 ± 2.0
CO ₂ (full load)	vol%	10.0 ± 1.0	10.0 ± 1.0
O ₂ (full load)	vol%	5.7 ± 1.8	5.7 ± 1.8
Gas consumption	kg/h	3.1	4.4
NO _x -emission	mg/kWh GCV	35	36
Mass flow rate flue gases (minimal load)	kg/h	24.8	24.8
Mass flow rate flue gases (nominal load)	kg/h	73.6	104.8
Flue gas temperature (nominal load)	°C	52	59

1 - Based on 1013.25 mbar and 15°C.

12.4

Week program card

You can cut the week program card out and keep it near the water heater.

Period		Day	Time	T _{set}	Pump
1	ON			... °C	ON / OFF
	OFF				
2	ON			... °C	ON / OFF
	OFF				
3	ON			... °C	ON / OFF
	OFF				
4	ON			... °C	ON / OFF
	OFF				
5	ON			... °C	ON / OFF
	OFF				
6	ON			... °C	ON / OFF
	OFF				
7	ON			... °C	ON / OFF
	OFF				
8	ON			... °C	ON / OFF
	OFF				
9	ON			... °C	ON / OFF
	OFF				
10	ON			... °C	ON / OFF
	OFF				
11	ON			... °C	ON / OFF
	OFF				
12	ON			... °C	ON / OFF
	OFF				
13	ON			... °C	ON / OFF
	OFF				
14	ON			... °C	ON / OFF
	OFF				
15	ON			... °C	ON / OFF
	OFF				
16	ON			... °C	ON / OFF
	OFF				
17	ON			... °C	ON / OFF
	OFF				

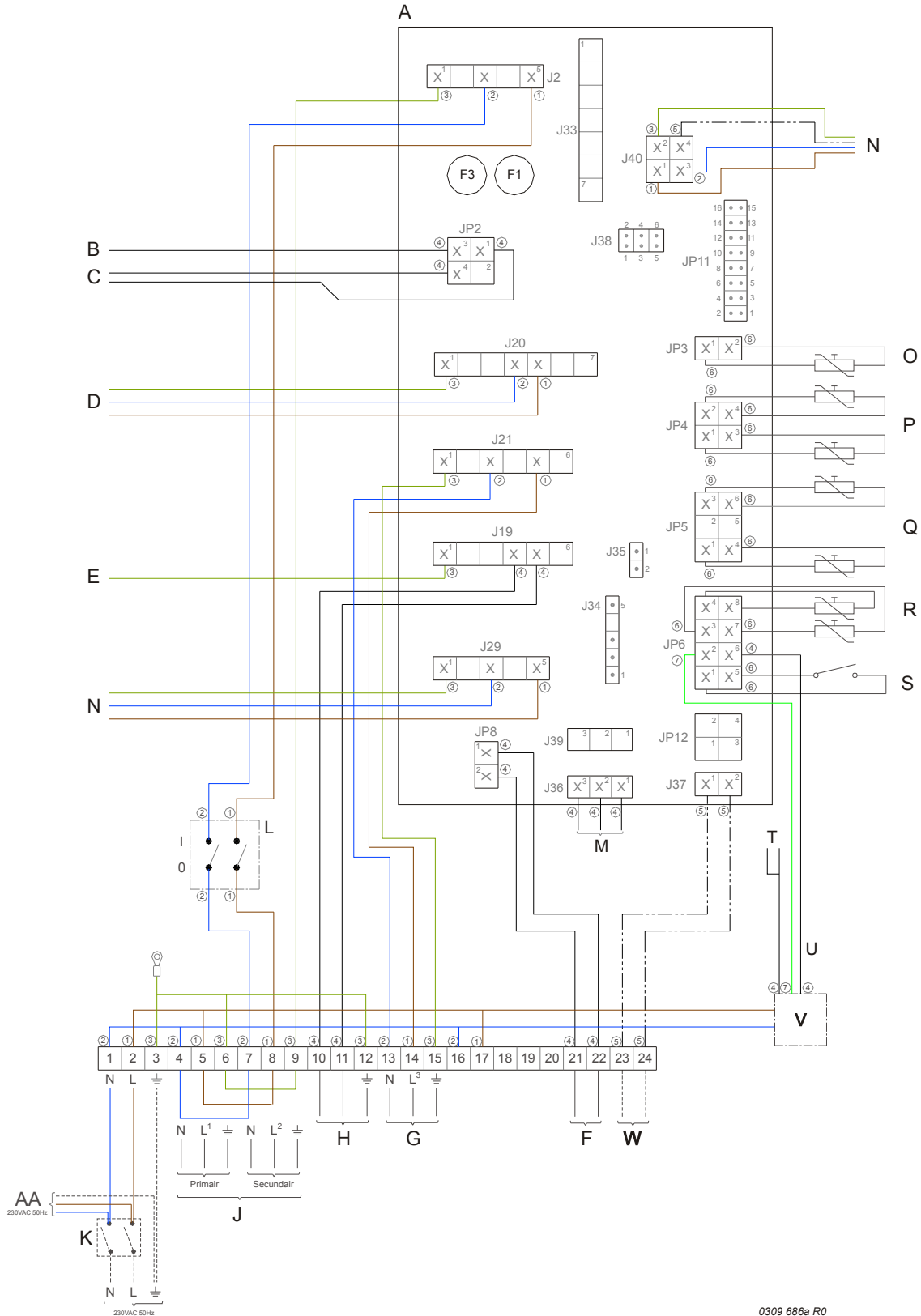
18	ON			... °C	ON / OFF
	OFF				
19	ON			... °C	ON / OFF
	OFF				
20	ON			... °C	ON / OFF
	OFF				
21	ON			... °C	ON / OFF
	OFF				

Example

Period		Day	Time	T _{set}	Pump
1	ON	MO	14:30	70 °C	ON / OFF
	OFF	MO	16:15		

12.5

Electrical wiring diagram



Cable colors:

1	Brown
2	Blue
3	Green
4	Black
5	White
6	Grey/Beige
7	Green
8	Yellow

Terminal strip connections:

⊕	Earth
N	Neutral
L	Live input of controller
L ₁	Live input of isolating transformer (primary side)
L ₂	Live output of isolating transformer (secondary side)
L ₃	Live input of program-controlled pump

Components:

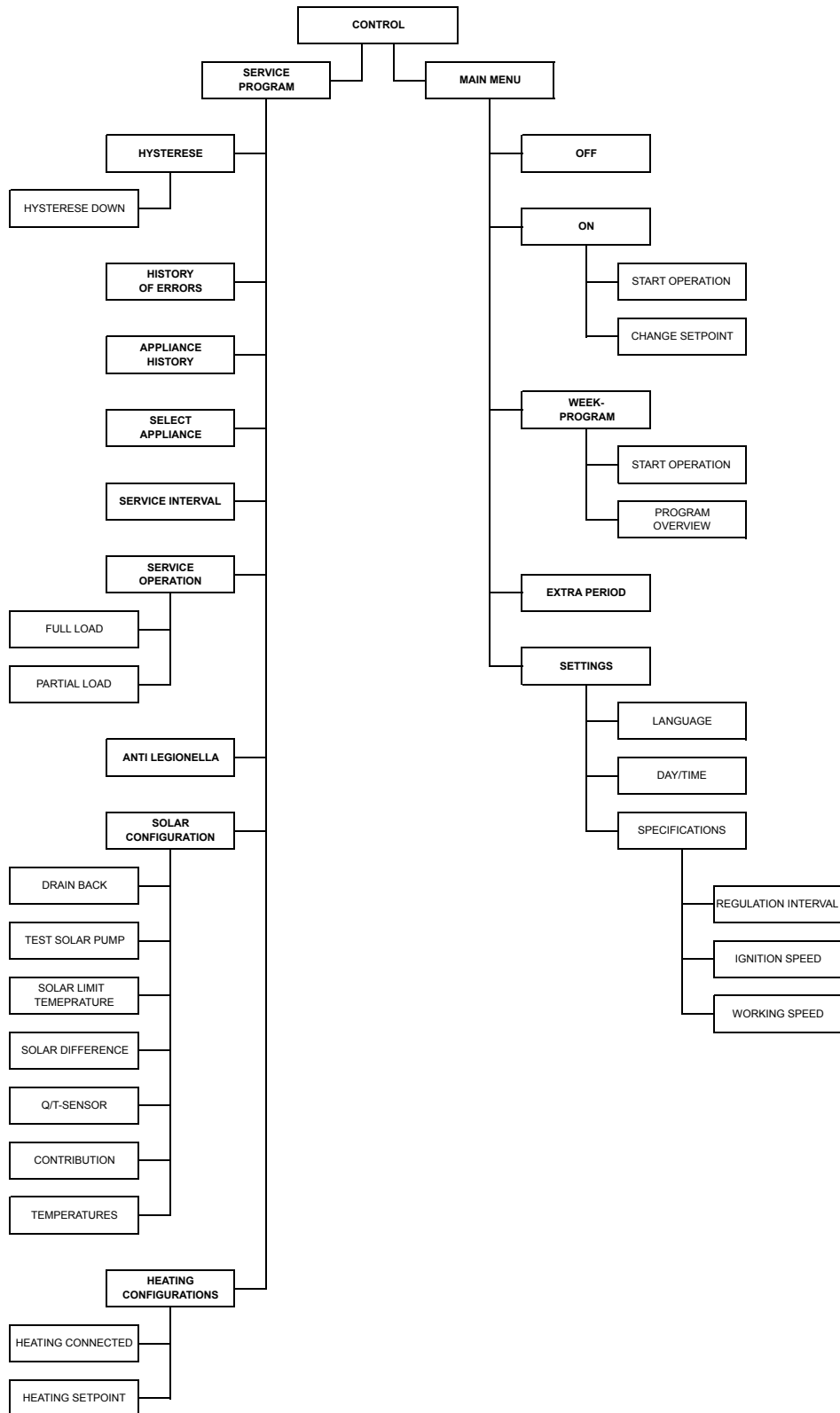
A	Control
B	Flame probe
C	Hot surface igniter
D	Gas control valve
E	Burner earth connection
F	Extra ON mode switch
G	Program-controlled pump (max. 100W)
H	Extra error signal connection
J	Isolating transformer
K	Double-pole isolator
L	Controller O/I switch
M	Display
N	Fan
O	Temperature sensor (T ₂ - bottom of tank)
P	Dummy
Q	Temperature sensor (T ₂ - top of tank)
R	Selection resistor
S	Push button
T	Electrical anodes
U	Signaling for electrical anodes
V	Potentiostat
W	Communication between the appliance controller and the solar system (BUS connection)
AA	Solar system controller

Controller connections:

J2	Power connection for controller
J19	Extra error signal connection
J20	Gas control valve connection
J21	Program-controlled pump connection
J29	Power connection for the fan
J36	Controller display connection
J40	Regulator connection for the fan
JP2	Flame probe and hot surface igniter connection
JP3	Temperature sensor T ₂ connection
JP4	Dummy connection
JP5	Temperature sensor T ₁ connection
JP6	Selection resistor and pressure switch connection
JP8	Extra ON mode switch connection
F1	Fuse (T 3.15A - 250 V)
F3	Fuse (T 3.15A - 250 V)

12.7

Menu structure



12.8

Declaration of conformity



Declaration of Conformity

Supplier: Lochinvar Limited
8 Lombard Way
The MXL Centre
Banbury - United Kingdom

hereby declares that the following products:

Product description: Condensing high efficiency appliance
Product family name: EcoCharger Hybrid
Product models: HWHC 44-370 G CE, HWHC 63-370 G CE

on the assumption that the installation instructions have been followed are compliant to:

Gas Appliance Regulations (GAR) - 2016/426
- EN 89:2015

Low Voltage Directive (LVD) - 2014/35/EU
- EN 60335-1:2012
- EN 60335-2-102:2017

Electromagnetic Compatibility Directive (EMC) - 2014/30/EU
- EN 55014-1:2017
- EN 55014-2:2015
- EN 61000-3-2:2014
- EN 61000-3-3:2013

ECO Design Directive (ErP) - 2009/125/EG
- Commission regulation No. 814/2013 based on notices 2014/C - 207/03

as stated in the EC type-examination report, 178889, by KIWA Gastec Certification b.v., The Netherlands.

Company:
Lochinvar Limited

Date:
March 3, 2022

Signature:

T. van der Hamsvoort
Managing Director



Declaration of Conformity

Supplier: Lochinvar Limited
8 Lombard Way
The MXL Centre
Banbury - United Kingdom

hereby declares that the following products:

Product description: Condensing high efficiency appliance
Product family name: EcoCharger Hybrid
Product models: HWHC 44-370 G CE, HWHC 63-370 G CE

on the assumption that the installation instructions have been followed are compliant to:

Gas Appliances (Enforcement) and Miscellaneous Amendments Regulations 2018 (UK SI 2018 No. 389)
- EN 89:2015

Electrical Equipment (Safety) Regulations 2016 (UK SI 2016 No. 1101)
- EN 60335-1:2012
- EN 60335-2-102:2017

Electromagnetic Compatibility Regulations 2016 (UK SI 2016 No. 1091)
- EN 55014-1:2017
- EN 55014-2:2015
- EN 61000-3-2:2014
- EN 61000-3-3:2013

Ecodesign for Energy-Related Products Regulations 2010 (UK SI 2010 No. 2617)
- Commission regulation No. 814/2013 based on notices 2014/C - 207/03

as stated in the EC type-examination report, 178889, by KIWA Gastec Certification b.v., The Netherlands.

Company:
Lochinvar Limited

Date:
July 1, 2022

Signature:

T. van der Hamsvoort
Managing Director

12.9

Warranty

Article 1: General warranty

If within 1 (one) year of the invoice date or commissioning date of a water heater supplied by Lochinvar Ltd., following verification, and at the sole discretion of Lochinvar Ltd., an assembly or part (with exclusion of the tank) proves to be defective or fails to function correctly due to manufacturing and/or material defects, then Lochinvar Ltd. shall repair or replace this assembly or part.

Article 2: Warranty

If within 3 (three) years of the invoice date or commissioning date of a water heater supplied by Lochinvar Ltd., following verification, and at the sole discretion of Lochinvar Ltd., the enamel-lined steel tank proves to be leaking due to rust or corrosion occurring on the water side, then Lochinvar Ltd. shall offer to replace the defective water heater with an entirely new water heater of equivalent size and quality. The warranty period given on the replacement water heater shall be equal to the remaining warranty period of the original water heater that was supplied.

Article 3: Conditions for installation and use

The warranty set out in articles 1 and 2 will apply solely under the following conditions:

1. The water heater is installed under strict adherence to Lochinvar Ltd. installation instructions for the specific model, and must be in accordance with the relevant requirements of the Gas Safety Regulations, Building Regulations, I.E.E. Regulations and the byelaws of the local water undertaking. The installation should also be in accordance with any relevant requirements of the local gas distributor and local authority.
2. The water heater remains installed at the original site of installation.
3. The water heater is used exclusively with drinking water, which at all times can freely circulate (a separately installed heat exchanger is mandatory for heating saline water or corrosive water).
4. The tank is safeguarded against harmful scaling and lime build-up by means of periodic maintenance.
5. The water temperatures in the heater do not exceed the maximum setting of the thermostats, which form a part of the water heater.
6. The water pressure and/or heat load do not exceed the maximum values stated on the water heater rating plate.
7. The water heater is installed in a non-corrosive atmosphere or environment.
8. The water heater is connected to a protected cold supply arrangement, which is: approved by the relevant authority; with sufficient capacity for this purpose; supplying a pressure no greater than the working pressure stated on the water heater; and where applicable by a likewise approved temperature and pressure relief valve, fitted in accordance with installation instructions of Lochinvar Ltd. applying to the specific model of water heater, and further in compliance with Building Regulations, local authority installation byelaws and the Water Supply (Water Fittings) Regulations 1999.
9. The water heater is protected with an electrical powered anode that provides cathodic protection at all times. The water heater is equipped with a powered anode, which passes a small current from the electrode, immersed in the water, on to the inner surface of the water heater. It is possible, over time, that the electrode rod may become covered with a thin film that prevents sufficient current to flow, this can be remedied by removing the film on the electrode rod with a clean cloth, do not use abrasive cleaning products. It is a requirement, of the powered anode system, that the water heater is connected to 230 v power supply. There must be no switches, such as time control, in the main power supply other than the double-pole isolator. Time control can be achieved by other means without interrupting the main power supply. Incorrect installation of the main power supply will invalidate the warranty of the water heater.

Article 4: Exclusions

The warranty set out in articles 1 and 2 will not apply in the event of:

10. damage to the water heater caused by an external factor;
11. misuse, neglect (including frost damage), modification and incorrect and/or unauthorized use of the water heater;
12. contaminants or other substances having been allowed to enter the tank;
13. any attempts at repair to a defective water heater other than by an approved service engineer;
14. the conductivity of the water being less than 125 $\mu\text{S}/\text{cm}$ and/or the hardness (alkaline earth ions) of the water being less than 1.00 mmol/litre;
15. unfiltered, recirculated water flowing through or being stored in the water heater.

Article 5: Scope of the warranty

The obligations of Lochinvar Ltd. pursuant to the specified warranty are limited to free delivery from the warehouse of the replacement assemblies, parts or water heater, respectively. Labor, installation and any other costs associated with the replacement will not be accepted by Lochinvar Ltd.

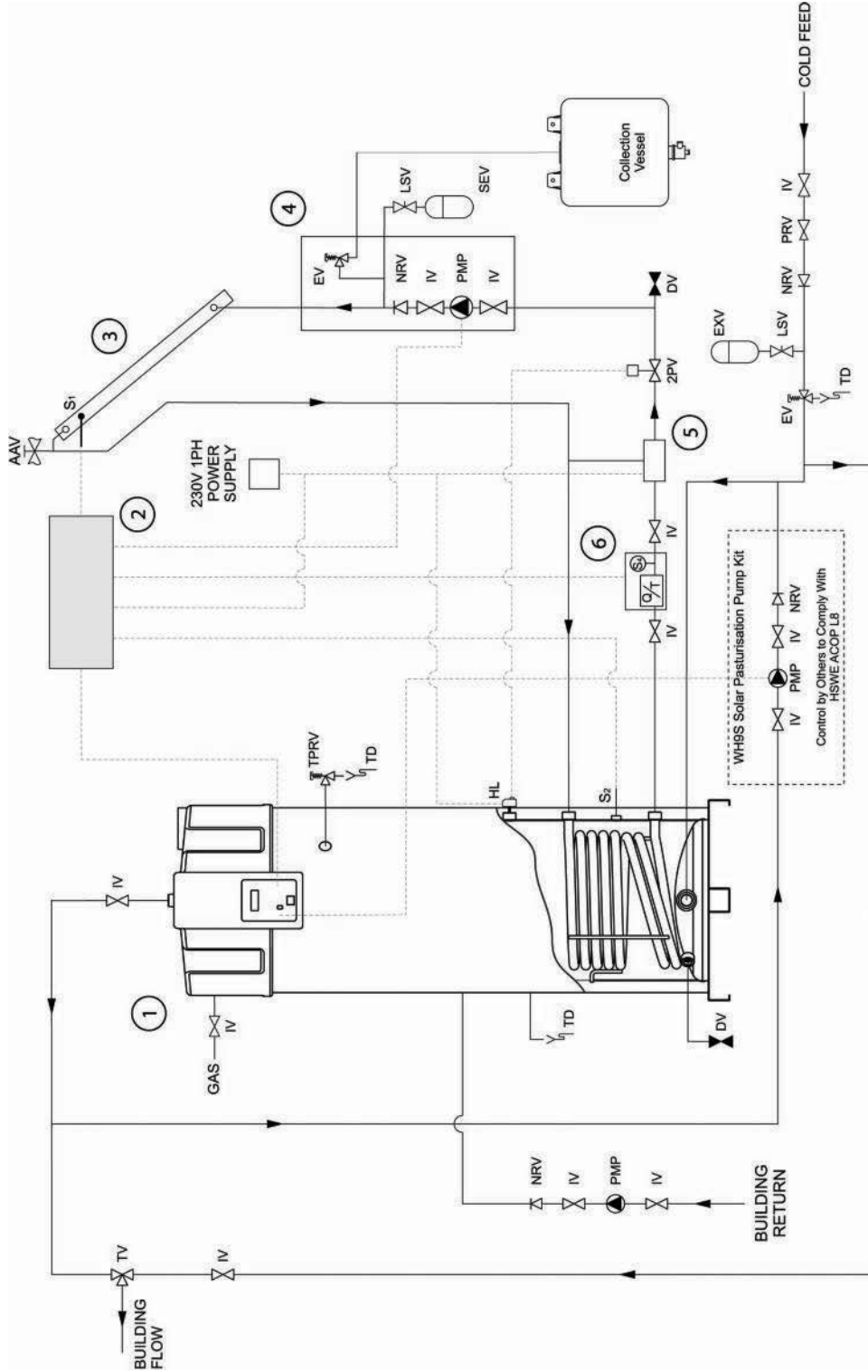
Article 6: Claims

A claim on grounds of the specified warranty must be submitted to the dealer from whom the water heater was purchased, or to another authorized dealer of Lochinvar Ltd.. Inspection of the water heater as referred to in articles 1 and 2 shall take place in one of the laboratories of Lochinvar Ltd.

Article 7: Obligations of Lochinvar Ltd.

Lochinvar Ltd. grants no other warranty or guarantee over its water heaters nor the (assemblies or parts of) water heaters supplied for replacement, other than the warranty expressly set out in these conditions. Under the terms of the supplied warranty, Lochinvar Ltd. is not liable for damage to persons or property caused by (assemblies or parts, or the glass-lined steel tank of) a (replacement) water heater that it has supplied.

12.10 Detailed installation diagram



Legend:

1	EcoCharger Hybrid HWHC Water Heater
2	Solar Control
3	Flat Plate Solar Thermal Collector
4	Solar Pump Station
5	Class Two RHI Complaint Heat Meter
6	QT Flow Sensor
S ₁	Temperature Sensor - Flat Plate Solar Thermal Collector
S ₂	Temperature Sensor - Bottom EcoCharger Hybrid HWHC
AAV	Air Aeration Valve
DV	Drain Valve
EV	Expansion Valve
EXV	Expansion Vessel
HL	High Limit Stat
IV	Isolation Valve
LSV	Lockshield Valve
NRV	Non Return Valve
PMP	Pump
PRV	Pressure Reducing Valve
SEV	Solar Expansion Valve
TD	Tundish
TPRV	Temperature Pressure Relief Valve
TV	Tempering Valve
2PV	Motorised 2 Port Valve (via High Limit)

Index

A

About the water heater.....	43
About this manual.....	7
Adding times to a week program.....	33
Additional error signal.....	67
Ambient conditions.....	53
Anode warning.....	23
Appendices.....	103

B

Buttons.....	20
--------------	----

C

C13/C33 concentric systems.....	61
C13/C33 parallel systems.....	62
C43/C53/C63 systems.....	64
Changing legionella prevention start time	85
Changing the appliance's standard week program.....	30
Circulation pipe.....	56
Clean the burner.....	91
Clean the condensate drain.....	91
Clean the heat exchanger.....	91
CO ₂ adjustment.....	74
Cold water side.....	56, 57
Collector temperature warning.....	23
Commissioning.....	69
Communication cable to solar heating system.....	67
Compliance.....	4
Condensation drain.....	57
Conditions.....	53
Connecting communication cable.....	69
Connecting pump station - modulating pump.....	68
Connecting Q/T sensor.....	69

Connecting solar collector.....	68
Connecting tank sensor.....	68
Connecting the mains power.....	68
Contact information.....	5
Control switch.....	20
Conversion of gas type.....	79
Copyright.....	3
Copyright.....	3

D

Declaration of conformity.....	114
Decommissioning.....	77
Deleting times from a week program....	34
Descale the tank.....	90
Detailed installation diagram.....	117
Dimensions.....	105
Display the error history.....	82
Display the selected water heater.....	83
Display the water heater history.....	82
Displayed errors.....	95
Displaying contribution.....	87
Displaying temperatures.....	87
Displaying water heater specifications..	39
Disposal.....	52
Document identification.....	8
Drain-back tank.....	50
Draining.....	77
Draining the solar heating system.....	78
Draining unvented installations.....	77
Draining vented installations.....	77

E

Electrical connection of the solar heating system.....	67
Electrical connections.....	65
Electrical wiring diagram.....	110
Electrical wiring diagram solar heating system.....	112
Environmental aspects.....	51
Error conditions.....	22
Errors and warnings.....	93
Expansion valve.....	51
Expansion vessel.....	51
Explanation of icons.....	19
External ON mode switch.....	67
EXTRA.....	21
Extra period.....	35

F

- Fan..... 49
- Filling..... 69
- Filling the solar heating system..... 70
- Filling unvented installations..... 69
- Filling vented installations.....70
- Filling with glycol.....71
- Finalization.....92
- Flame probe..... 50
- Fluid temperature.....51
- Flushing with water..... 70

G

- Gas connection..... 58
- Gas control valve..... 49
- Gas details..... 107
- Gas-side maintenance.....91
- General errors..... 94

H

- Hot water side.....56, 57
- Hysteresis..... 82

I

- Installation..... 53
- Installation diagram.....55
- Installation, Maintenance and Service part.....41
- Instructions on the water heater.....48
- Interface..... 19
- Introduction..... 43, 15
- Isolate from the mains..... 27
- Isolating transformer..... 66

L

- Liability.....3

M

- Main menu..... 28

- Mains power..... 66
- Maintenance..... 89
- Maximum floor load..... 53
- Menu structure..... 113

N

- Notation conventions..... 7
- Notation conventions for menu-related instructions..... 29

O

- OFF..... 21
- ON..... 21
- Operating cycle..... 45
- Operating modes.....21
- Operator interface.....81, 19
- Optional electrical connections..... 66

P

- Packaging.....53
- PC connection..... 21
- Preface..... 3
- Preparation.....89
- Preparation.....65
- Preparation.....68
- Pressure switch..... 49
- Procedure for checking the gas control valve pressure.....73, 73
- Procedure for checking the supply pressure.....71
- PROG.....22
- Program-controlled pump..... 66
- Programming an extra period.....36
- Protection for the solar heating system.50
- Protection for the water heater.....49

Q

- Q/T Sensor warning..... 23

R

- Recycling..... 51
- Regulations..... 4

S

Safety.....	17, 47
Safety devices.....	49
Safety instructions.....	47
Safety of the installation.....	50
Safety of the solar heating system.....	51
Scope.....	7
Service conditions.....	23
Service mode.....	83
Service program.....	81
Setting day and time.....	38
Setting legionella prevention.....	84
Setting menu language.....	37
Setting the central heating configuration.....	87
Setting the drain-back tank.....	85
Setting the Q/T sensor.....	87
Setting the service interval.....	83
Setting the solar difference.....	86
Setting the solar limit.....	86
Setting the water temperature.....	29
Setting the water temperature via the SET POINT menu.....	29
Setting water temperature during ON mode	30
Settings.....	81
Settings.....	37
Solar collector maintenance.....	92
Solar heating system.....	58
Solar heating system configuration.....	85
Starting and stopping the week program	30
Status of the water heater.....	21
Switch the pump on or off.....	83
Switching legionella prevention on and off	85
Switching on the solar pump.....	86
Switching pressure measurement.....	76
Switching to ON mode.....	29

T

T&P valve.....	50
Target group.....	7
Technical details.....	103
The appliance's heating cycle.....	25, 43
Trademark.....	3
Trademarks.....	3
Troubleshooting.....	93
Turn off for a long period.....	28
Turn off for a short period.....	27
Turn off the water heater.....	27, 77
Turn on the water heater.....	77
Turn on the water heater.....	25

U

Unvented installation.....	50
Unvented water connections.....	56
Use.....	25
User part.....	13

V

Vented installation.....	50
Vented water connections.....	57
Venting system.....	58

W

Warnings.....	100
Warranty.....	115
Warranty.....	3
Water composition.....	54
Water connections.....	56
Water temperature protection.....	49
Water-side maintenance.....	90
Week program.....	30
Week program card.....	108
Week program: setting the program- controlled pump.....	32
Week program: setting the switch-off time	32
Week program: setting the switch-on time	31
Week program: setting the water temperature.....	32
Working clearances.....	54
Working principle.....	43



8 Lombard Way, The MXL Centre, Banbury, Oxon, OX16 4TJ
Tel: +44(0) 1295 269 981, Fax:+44(0) 1295 271 640, Email: info@lochinvar.ltd.uk
www.lochinvar.ltd.uk

Lochinvar Ltd reserves the right to change specifications without prior notice