

EcoKnight Flue Assemblies and Ancillaries

For use with Models:

**EKW46 CE
EKW61 CE
EKW86 CE
EKW116 CE
EKW146 CE
EKW176 CE
EKW206 CE
EKW236 CE**



Contents

	Page No.
Horizontal Concentric flue assembly EKW46CE-EKW61CE	3
Horizontal Concentric flue assembly EKW86CE-EKW116CE	4
Horizontal Concentric flue assembly EKW146CE-EKW176CE	5
Horizontal Concentric flue assembly EKW203CE-EKW236CE	6
Vertical Concentric flue assembly EKW46CE-EKW61CE	7
Vertical Concentric flue assembly EKW86CE-EKW116CE	8
Vertical Concentric flue assembly EKW146CE-EKW176CE	9
Vertical Concentric flue assembly EKW206CE-EKW236CE	10
Conventional flue system EKW46CE-EKW61CE	11
Conventional flue system EKW86CE-EKW116CE	12
Conventional flue system EKW146CE-EKW176CE	13
Conventional flue system EKW206CE-EKW236CE	14
Twin-Pipe flue system EKW46CE-EKW61CE	15
Twin-Pipe flue system EKW86CE-EKW116CE	16
Twin-Pipe flue system EKW146CE-EKW236CE	17

Item No EKWHF001

CONCENTRIC HORIZONTAL FLUE ASSEMBLY

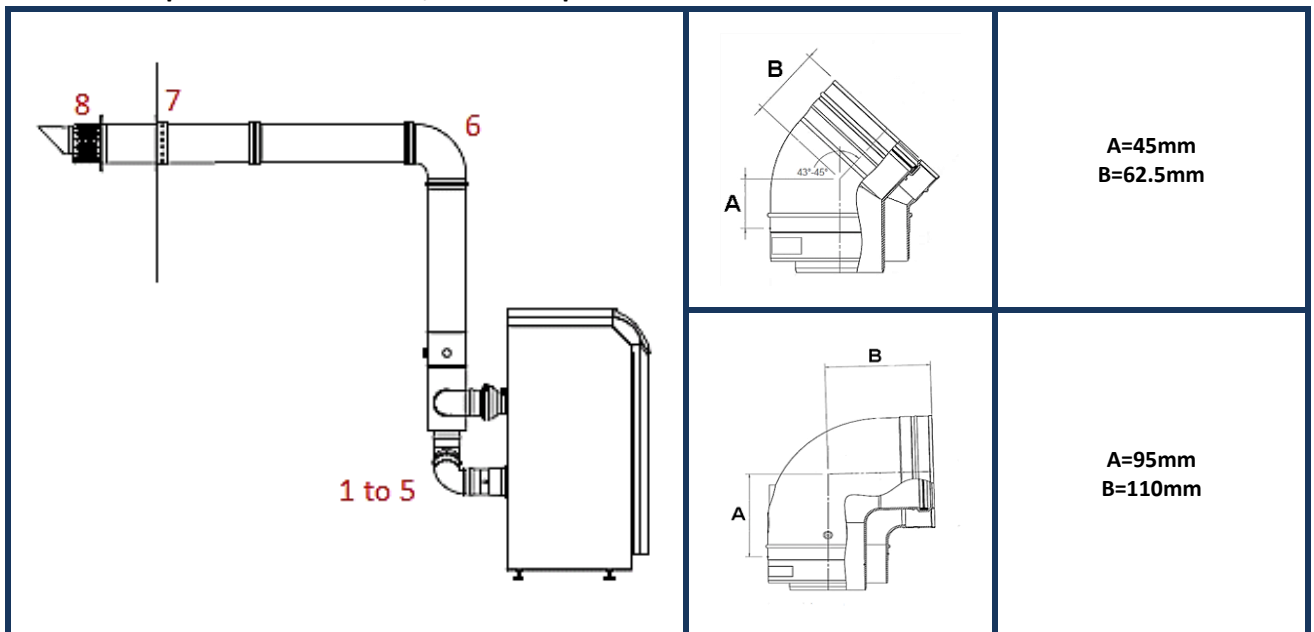
MODELS EKW46CE,EKW61CE

COMPONENTS INCLUDED

Item No.	Description	Number	Quantity
M85291	BEND 90° 80mm PP	1	3
M84471	SAMPLING POINT Ø80/125mm PP	2	1
M75258	CONCENTRIC ADAPTER TEE Ø80/80mm - Ø80/125mm PP	3	1
M75256	AIR INLET TRANSITION Ø80mm ALU	4	1
M85271	EXTENSION Ø80mm (500mm) PP CUT TO LENGTH	5	1
M84460	CONCENTRIC BEND 90° Ø80/125mm PP	6	1
M86934	CONCENTRIC HORIZONTAL TERMINAL Ø80/125mm PP (NO WALL PLATES)	7	1
M28925	TERMINAL WALL PLATES (PAIR)	8	1

Maximum equivalent flue length =30 Metres

Reduction per 90 bend =1Metre, reduction per 45 bend 0.5Metre



Additional Flue Ancillary Items

Item No.	Description	Dimensions
LV310740	CONCENTRIC EXTENSION Ø80/125mm PP FIXED	250mm
LV310741	CONCENTRIC EXTENSION Ø80/125mm PP FIXED	500mm
M84452	CONCENTRIC EXTENSION Ø80/125mm PP FIXED	1000mm
LV310743	CONCENTRIC EXTENSION Ø80/125mm PP FIXED	2000mm
LV310744	CONCENTRIC EXTENSION Ø80/125mm PP TELESCOPIC	280 to 395mm
M84455	CONCENTRIC EXTENSION Ø80/125mm PP CUT TO LENGTH	100 to 450mm
M84461	CONCENTRIC BEND 45° Ø80/125mm PP	See drawing above
M84460	CONCENTRIC BEND 90° Ø80/125mm PP	See drawing above
M87195	WALL CLAMP Ø130	n/a

For further information, see Installation manual available at www.lochinvar.ltd.uk

Item No EKWHF002

CONCENTRIC HORIZONTAL FLUE ASSEMBLY

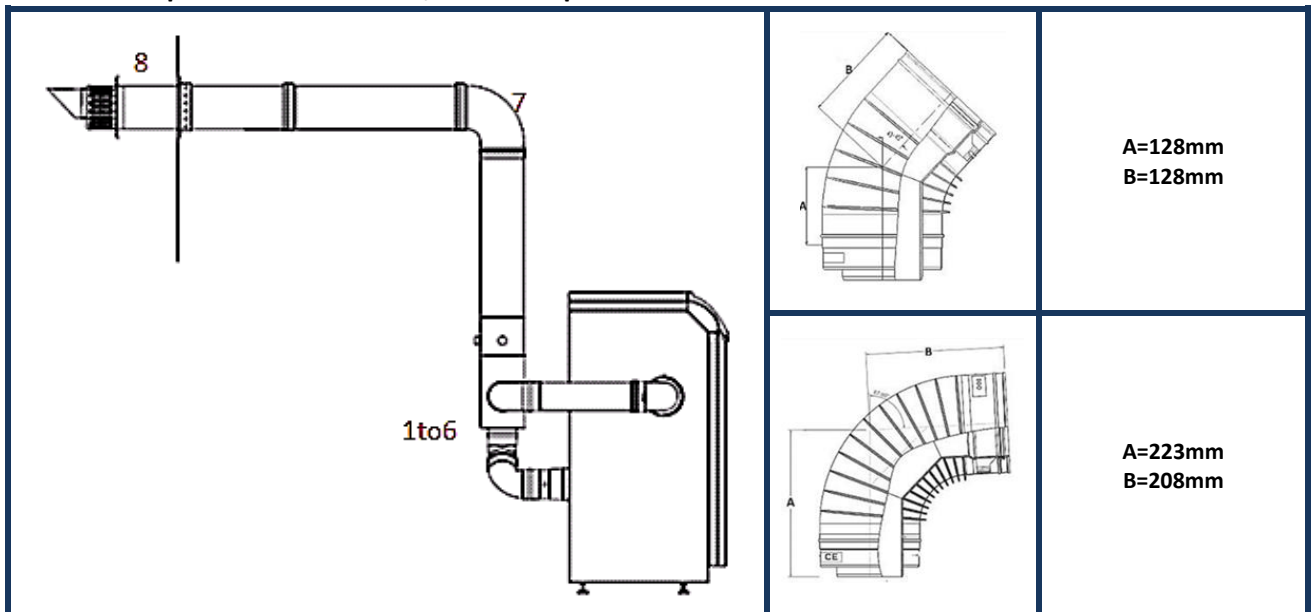
MODELS EKW86CE, EKW116CE

COMPONENTS INCLUDED

Item No.	Description	Number	Quantity
M85181	BEND 90° 100mm PP	1	3
M85182	BEND 45° 100mm PP	2	1
M84421	SAMPLING POINT Ø100/150mm PP	3	1
M75259	CONCENTRIC ADAPTER TEE Ø100/100mm Ø100/150mm PP	4	1
M75257	AIR INLET TRANSITION Ø100mm ALU	5	1
M85176	EXTENSION Ø100mm (500mm) PP CUT TO LENGTH	6	3
M84412	CONCENTRIC BEND 90° Ø100/150mm PP	7	1
LV310758	CONCENTRIC HORIZONTAL TERMINAL Ø100/150mm PP	8	1

Maximum equivalent flue length =30 Metres

Reduction per 90 bend =1Metre, reduction per 45 bend 0.5Metre



Additional Flue Ancillary Items

Item No.	Description	Dimensions
M84412	CONCENTRIC BEND 90° Ø100/150mm PP	See drawing above
M84413	CONCENTRIC BEND 45° Ø100/150mm PP	See drawing above
M84405	CONCENTRIC EXTENSION Ø100/150 PP CUT TO LENGTH	500mm
M84402	CONCENTRIC EXTENSION Ø100/150 PP FIXED	1000mm
M87196	WALL CLAMP Ø150mm	n/a

For further information, see Installation manual available at www.lochinvar.ltd.uk

Item No EKWHF003

CONCENTRIC HORIZONTAL FLUE ASSEMBLY

Twin-pipe system with a concentric terminal

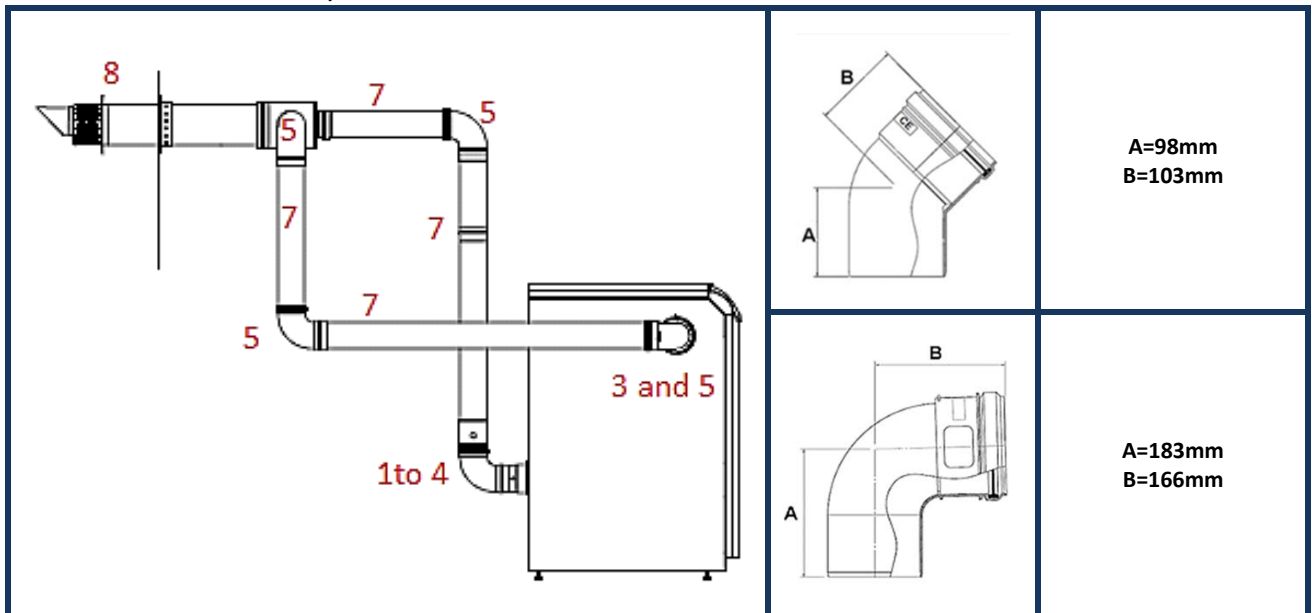
MODELS EKW146CE, EKW176CE

COMPONENTS INCLUDED

Item No.	Description	Number	Quantity
M85126	EXPANDER Ø100mm - Ø130mm PP	1	1
M70262	EXPANDER Ø130mm - Ø150mm PP	2	1
M87039	AIR INLET TRANSITION Ø150mm ALU	3	1
M85181	BEND 90° 100mm PP	4	1
LV310665	BEND 90° Ø150mm PP	5	4
M70326	SAMPLING POINT Ø150mm PP	6	1
LV310694	EXTENSION Ø150mm(1000mm) PP CUT TO LENGTH	7	4
M76561	HORIZONTAL TERMINAL Ø150/220mm ALU	8	1

Maximum equivalent flue length =30 Metres

Each 90° bend -1.5Metres, each 45° bend -1Metre



Additional Flue Ancillary Items

Item No.	Description	Dimensions
LV310695	EXTENSION Ø150mm(2000mm) PP CUT TO LENGTH	2000mm
LV310694	EXTENSION Ø150mm(1000mm) PP CUT TO LENGTH	1000mm
LV310664	BEND 45° Ø150mm PP	See drawing above
LV310665	BEND 90° Ø150mm PP	See drawing above
M87196	WALL CLAMP Ø150mm	n/a

For further information, see Installation manual available at www.lochinvar.ltd.uk

Item No EKWHF004

CONCENTRIC HORIZONTAL FLUE ASSEMBLY

Twin-pipe system with a concentric terminal

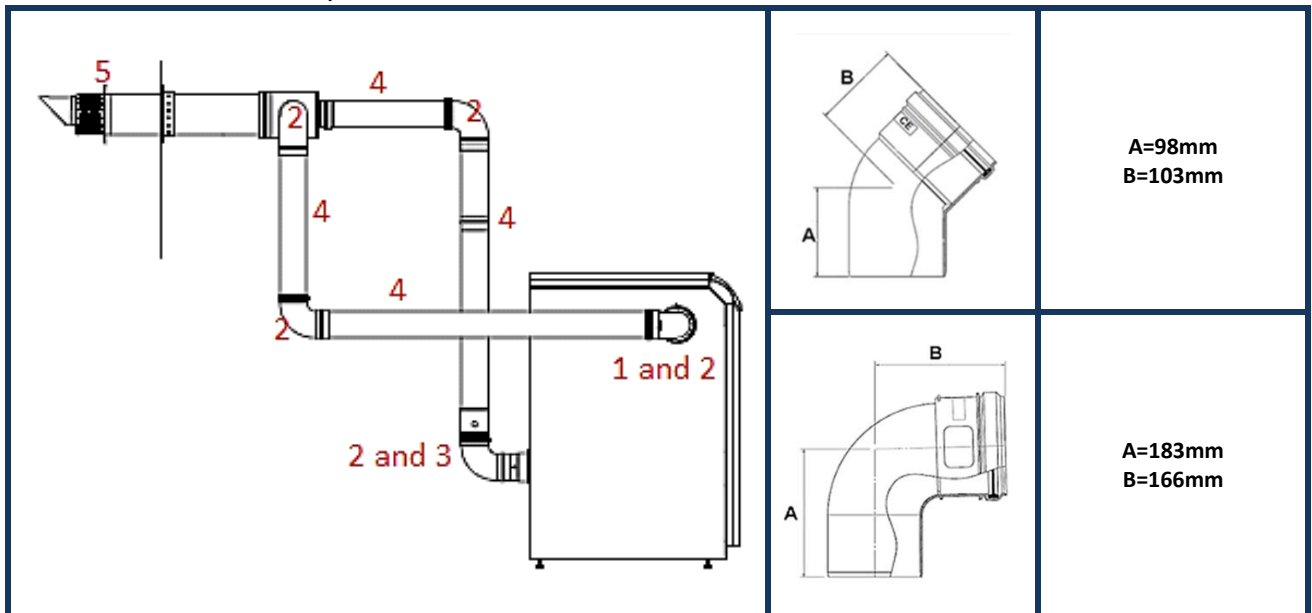
MODELS EKW206CE, EKW236CE

COMPONENTS INCLUDED

Item No.	Description	Number	Quantity
M87039	AIR INLET TRANSITION Ø150mm ALU	1	1
LV310665	BEND 90° Ø150mm PP	2	5
M70326	SAMPLING POINT Ø150mm PP	3	1
LV310694	EXTENSION Ø150mm(1000mm) PP CUT TO LENGTH	4	4
M76561	HORIZONTAL TERMINAL Ø150/220mm ALU	5	1

Maximum equivalent flue length =30 Metres

Each 90° bend -1.5Metres, each 45° bend -1Metre



Additional Flue Ancillary Items

Item No.	Description	Dimensions
LV310695	EXTENSION Ø150mm(2000mm) PP CUT TO LENGTH	2000mm
LV310694	EXTENSION Ø150mm(1000mm) PP CUT TO LENGTH	1000mm
LV310664	BEND 45° Ø150mm PP	See drawing above
LV310665	BEND 90° Ø150mm PP	See drawing above
M87196	WALL CLAMP Ø150mm	n/a

For further information, see Installation manual available at www.lochinvar.ltd.uk

Item No EKWVF001

CONCENTRIC VERTICAL FLUE ASSEMBLY

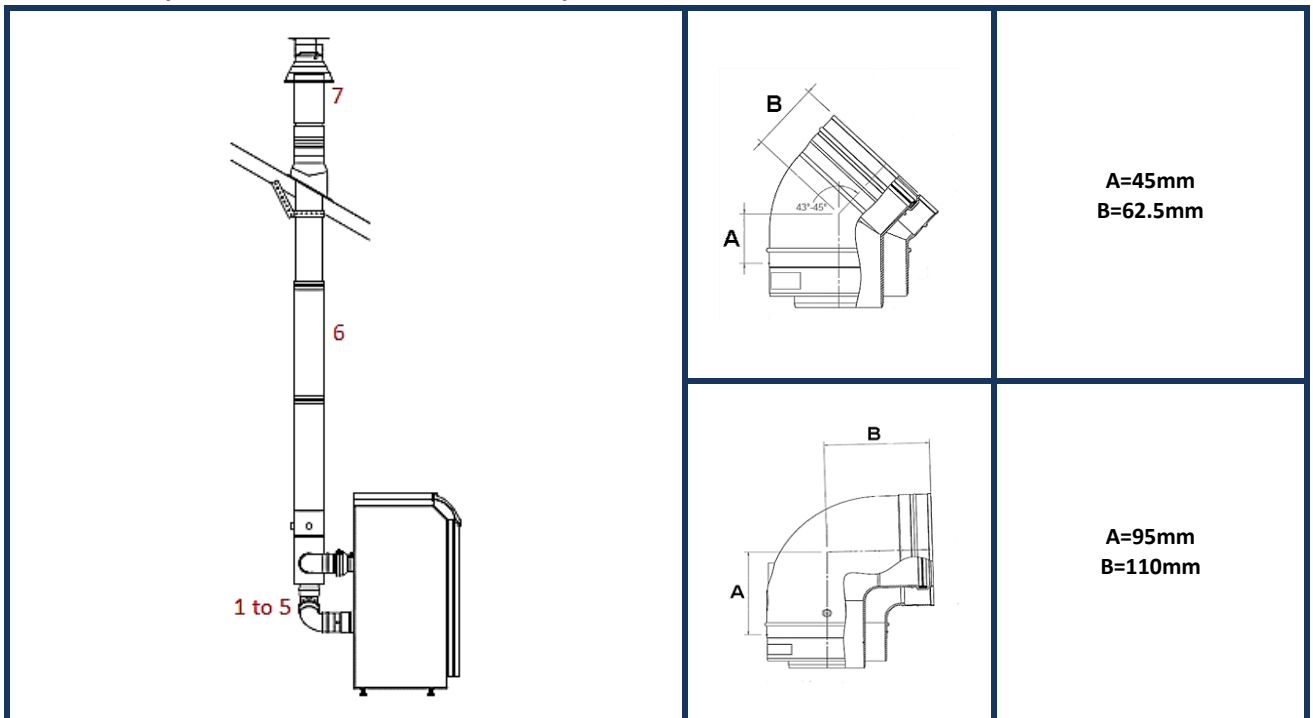
MODELS EKW46CE, EKW61CE

COMPONENTS INCLUDED

Item No.	Description	Number	Quantity
M85291	BEND 90° 80mm PP	1	3
M84471	SAMPLING POINT Ø80/125mm PP	2	1
M75258	CONCENTRIC ADAPTER TEE Ø80/80mm - Ø80/125mm PP	3	1
M75256	AIR INLET TRANSITION Ø80mm ALU	4	1
M85271	EXTENSION Ø80mm (500mm) PP CUT TO LENGTH	5	1
LV310744	CONCENTRIC EXTENSION Ø80/125mm(280-395mm) PP TELESCOPIC	6	1
M86864	CONCENTRIC VERTICAL TERMINAL Ø80/125mm PP	7	1

Maximum equivalent flue length =30 Metres

Reduction per 90 bend =1Metre, reduction per 45 bend 0.5Metre



Additional Flue Ancillary Items

Item No.	Description	Dimensions
LV310740	CONCENTRIC EXTENSION Ø80/125mm PP FIXED	250mm
LV310741	CONCENTRIC EXTENSION Ø80/125mm PP FIXED	500mm
M84452	CONCENTRIC EXTENSION Ø80/125mm PP FIXED	1000mm
LV310743	CONCENTRIC EXTENSION Ø80/125mm PP FIXED	2000mm
LV310744	CONCENTRIC EXTENSION Ø80/125mm PP TELESCOPIC	280 to395mm
M84455	CONCENTRIC EXTENSION Ø80/125mm PP CUT TO LENGTH	100 to 450mm
M84461	CONCENTRIC BEND 45° Ø80/125mm PP	See drawing above
M84460	CONCENTRIC BEND 90° Ø80/125mm PP	See drawing above
M87195	WALL CLAMP Ø130	n/a

For further information, see Installation manual available at www.lochinvar.ltd.uk

Item No EKWVF002

CONCENTRIC VERTICAL FLUE ASSEMBLY

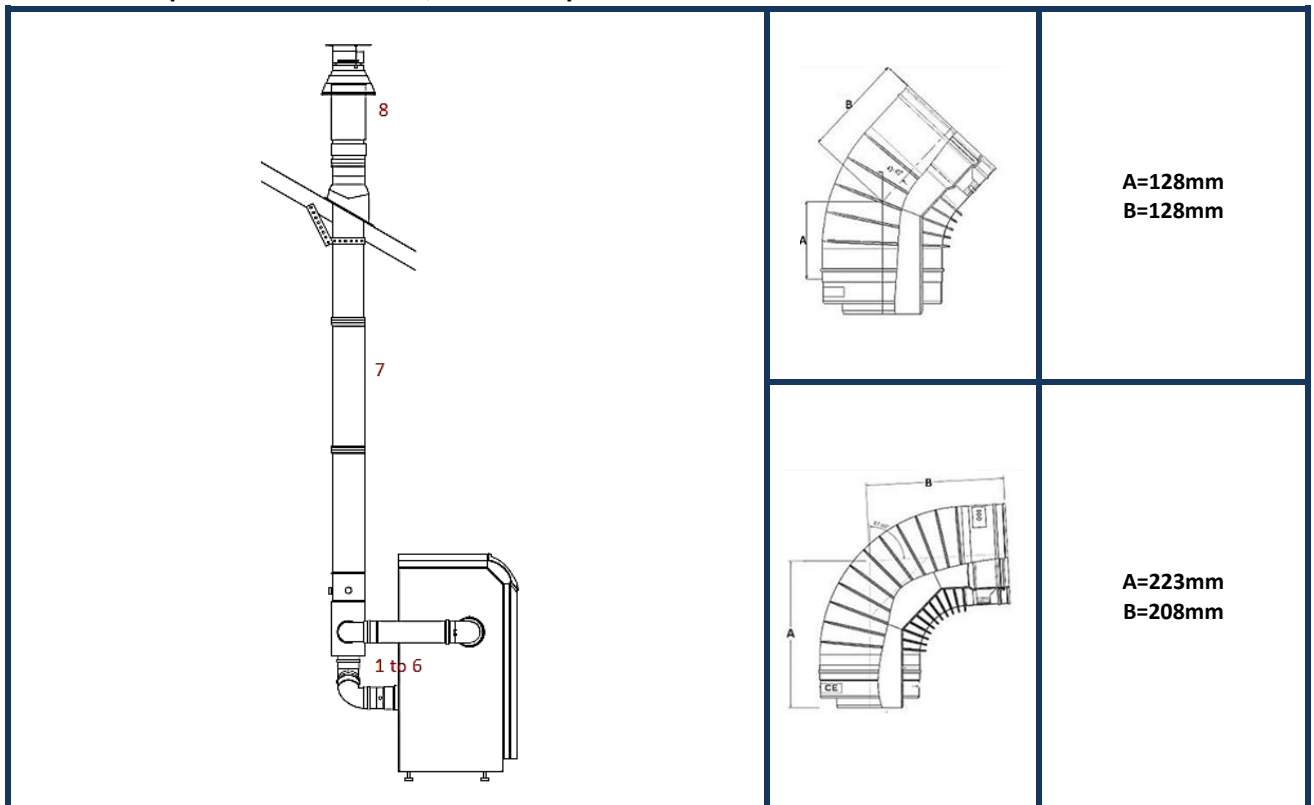
MODELS EKW86CE, EKW116CE

COMPONENTS INCLUDED

Item No.	Description	Number	Quantity
M85181	BEND 90° 100mm PP	1	3
M85182	BEND 45° 100mm PP	2	1
M84421	SAMPLING POINT Ø100/150mm PP	3	1
M75259	CONCENTRIC ADAPTER TEE Ø100/100mm Ø100/150mm PP	4	1
M75257	AIR INLET TRANSITION Ø100mm ALU	5	1
M85176	EXTENSION Ø100mm (500mm) PP CUT TO LENGTH	6	3
	CHOOSE SUITABLE EXTENSIONS ACCORDING TO SITE REQUIREMENTS	7	
LV310754	CONCENTRIC VERTICAL TERMINAL Ø100/150mm PP	8	1

Maximum equivalent flue length =30 Metres

Reduction per 90 bend =1Metre, reduction per 45 bend 0.5Metre



Additional Flue Ancillary Items

Item No.	Description	Dimensions
M84405	CONCENTRIC EXTENSION Ø100/150 PP CUT TO LENGTH	500mm
M84402	CONCENTRIC EXTENSION Ø100/150 PP FIXED	1000mm
M84412	CONCENTRIC BEND 90° Ø100/150mm PP	See drawing above
M84413	CONCENTRIC BEND 45° Ø100/150mm PP	See drawing above
M87196	WALL CLAMP Ø150mm	n/a

For further information, see Installation manual available at www.lochinvar.ltd.uk

Item No EKWVF003

CONCENTRIC VERTICAL FLUE ASSEMBLY

Twin-pipe system with a concentric terminal

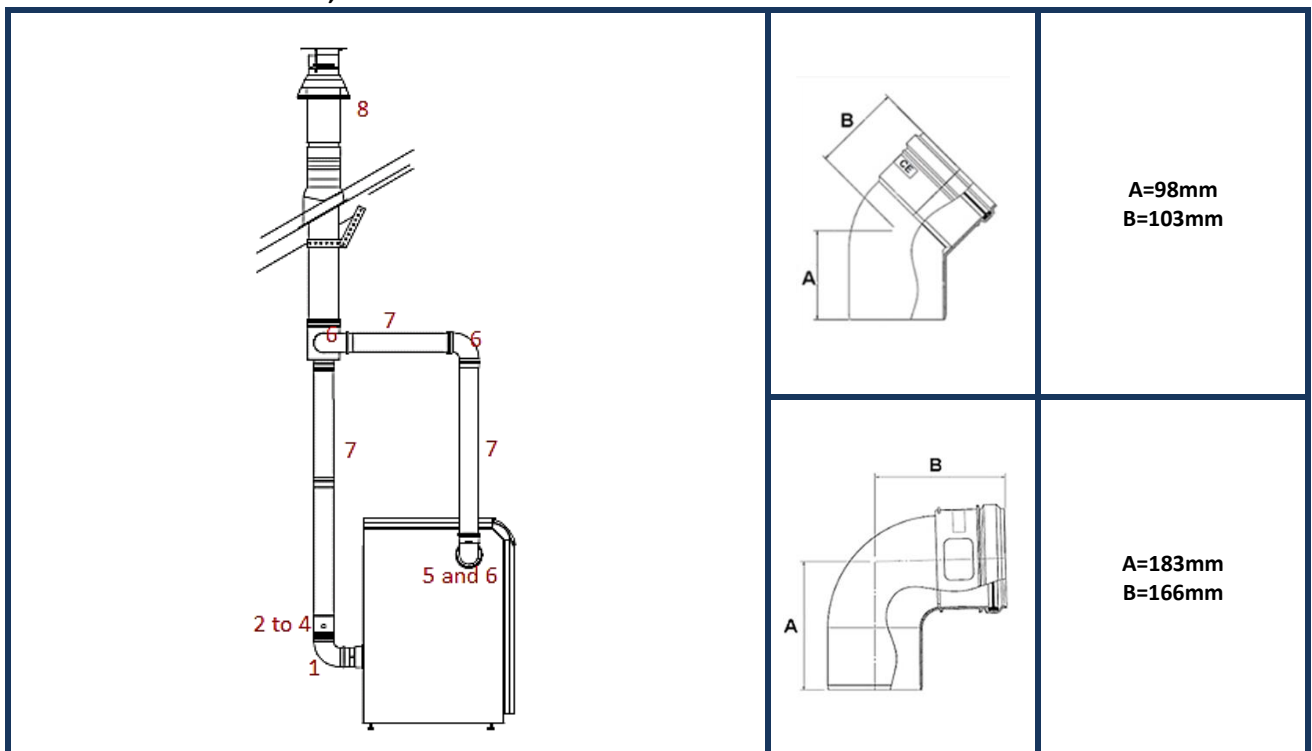
MODELS EKW146CE, EKW176CE

COMPONENTS INCLUDED

Item No.	Description	Number	Quantity
M85181	BEND 90° 100mm PP	1	1
M85126	EXPANDER Ø100mm - Ø130mm PP	2	1
M70262	EXPANDER Ø130mm - Ø150mm PP	3	1
M70326	SAMPLING POINT Ø150mm PP	4	1
M87039	AIR INLET TRANSITION Ø150mm ALU	5	1
LV310665	BEND 90° Ø150mm PP	6	3
LV310694	EXTENSION Ø150mm(1000mm) PP CUT TO LENGTH	7	4
M86929	VERTICAL TERMINAL Ø150/220mm ALU	8	1

Maximum equivalent flue length =30 Metres

Each 90° bend -1.5Metres, each 45° bend -1Metre



Additional Flue Ancillary Items

Item No.	Description	Dimensions
LV310695	EXTENSION Ø150mm PP CUT TO LENGTH	2000mm
LV310694	EXTENSION Ø150mm PP CUT TO LENGTH	1000mm
LV310664	BEND 45° Ø150mm PP	See drawing above
LV310665	BEND 90° Ø150mm PP	See drawing above
M87196	WALL CLAMP Ø150mm	n/a

For further information, see Installation manual available at www.lochinvar.ltd.uk

Item No EKWVF004

CONCENTRIC VERTICAL FLUE ASSEMBLY

Twin-pipe system with a concentric terminal

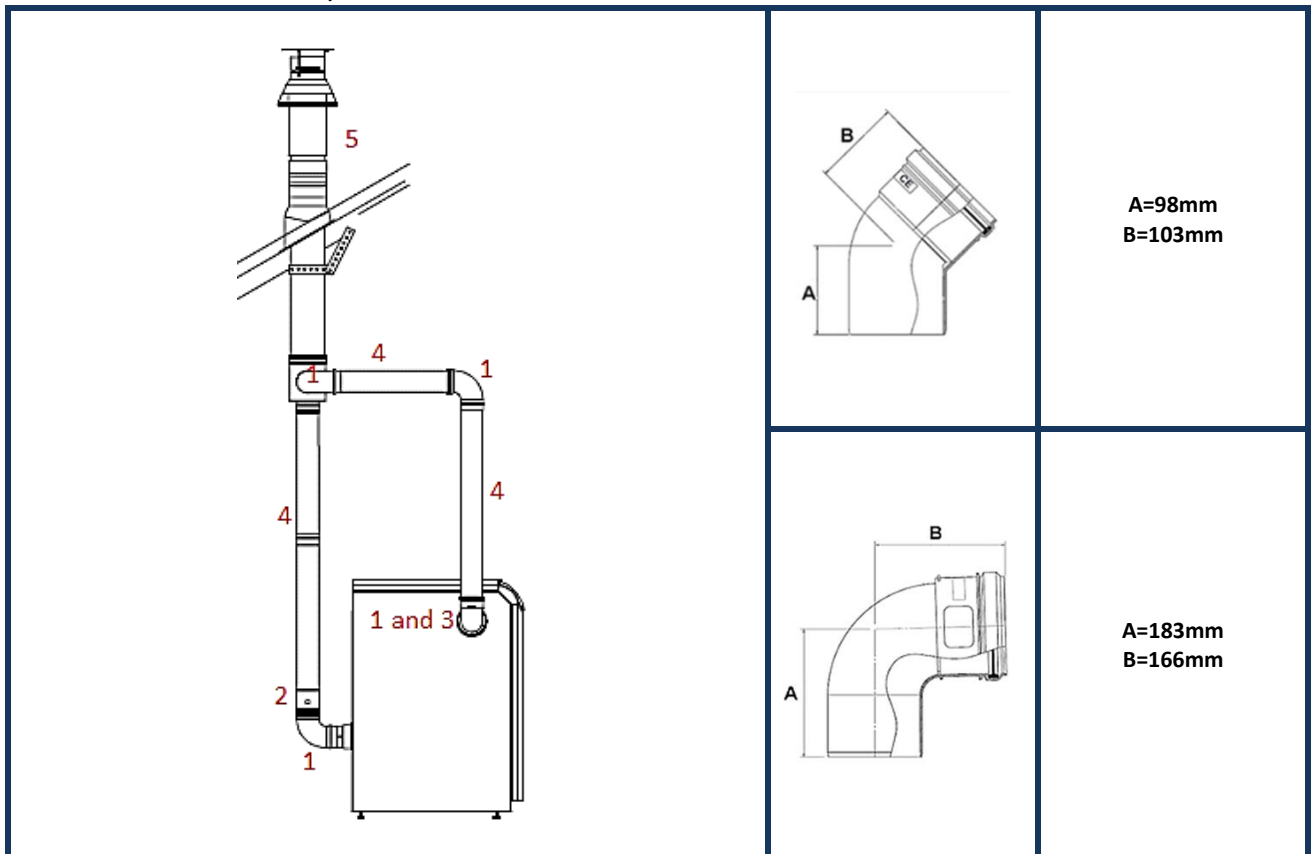
MODELS EKW206CE, EKW236CE

COMPONENTS INCLUDED

Item No.	Description	Number	Quantity
LV310665	BEND 90° Ø150mm PP	1	4
M70326	SAMPLING POINT Ø150mm PP	2	1
M87039	AIR INLET TRANSITION Ø150mm ALU	3	1
LV310694	EXTENSION Ø150mm(1000mm) PP CUT TO LENGTH	4	4
M86929	VERTICAL TERMINAL Ø150/220mm ALU	5	1

Maximum equivalent flue length =30 Metres

Each 90° bend -1.5Metres, each 45° bend -1Metre



Additional Flue Ancillary Items

Item No.	Description	Dimensions
LV310695	EXTENSION Ø150mmPP CUT TO LENGTH	2000mm
LV310694	EXTENSION Ø150mmPP CUT TO LENGTH	1000mm
LV310664	BEND 45° Ø150mm PP	See drawing above
LV310665	BEND 90° Ø150mm PP	See drawing above
M87196	WALL CLAMP Ø150mm	n/a

For further information, see Installation manual available at www.lochinvar.ltd.uk

Item No EKWCF001

FAN ASSISTED OPEN FLUE STARTER ASSEMBLY

Kit contains components to start the connection to the appliance only

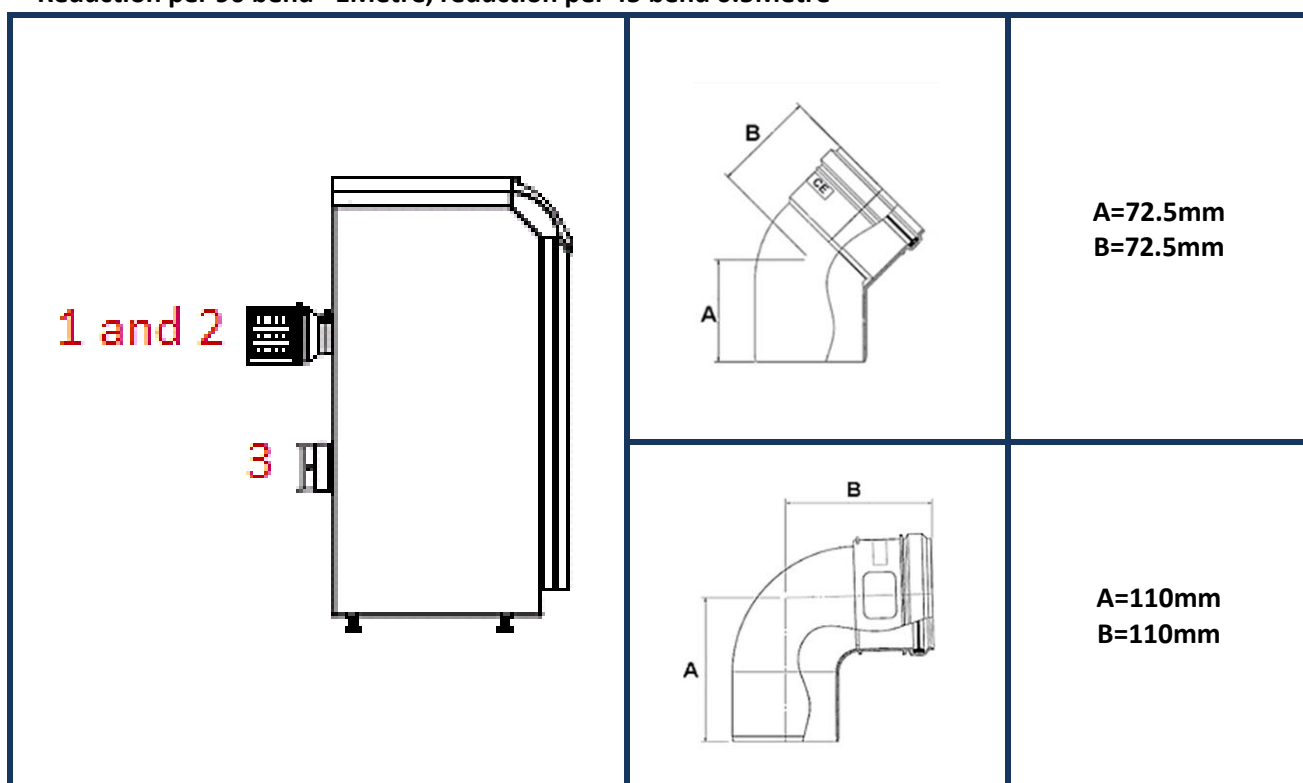
MODELS EKW46CE, EKW61CE

COMPONENTS INCLUDED

Item No.	Description	Number	Quantity
M75256	AIR INLET TRANSITION Ø80mm ALU	1	1
M73039	AIR INLET GRILLE Ø80mm ALU	2	1
M85279	SAMPLING POINT Ø80mm PP	3	1

Maximum equivalent flue length =60 Metres

Reduction per 90 bend =1Metre, reduction per 45 bend 0.5Metre



Additional Flue Ancillary Items

Item No.	Description	Dimensions
M86864	CONCENTRIC VERTICAL TERMINAL Ø80/125mm PP	1354mm total
M86934	CONCENTRIC HORIZONTAL TERMINAL Ø80/125mm PP (NO WALL PLATES)	765mm total
M28925	TERMINAL WALL PLATES (PAIR)	n/a
LV310718	EXTENSION - Ø80mm PP CUT TO LENGTH	250mm
M85271	EXTENSION Ø80mm PP CUT TO LENGTH	500mm
M85272	EXTENSION Ø80mm PP CUT TO LENGTH	1000mm
LV310721	EXTENSION - Ø80mm PP CUT TO LENGTH	2000mm
LV310722	EXTENSION - Ø80mm PP TELESCOPIC	240-360mm
M85292	BEND 45° 80mm PP	See drawing above
M85291	BEND 90° 80mm PP	See drawing above
M87191	WALL CLAMP Ø80mm	n/a

For further information, see Installation manual available at www.lochinvar.ltd.uk

Item No EKWCF002

FAN ASSISTED OPEN FLUE STARTER ASSEMBLY

Kit contains components to start the connection to the appliance only

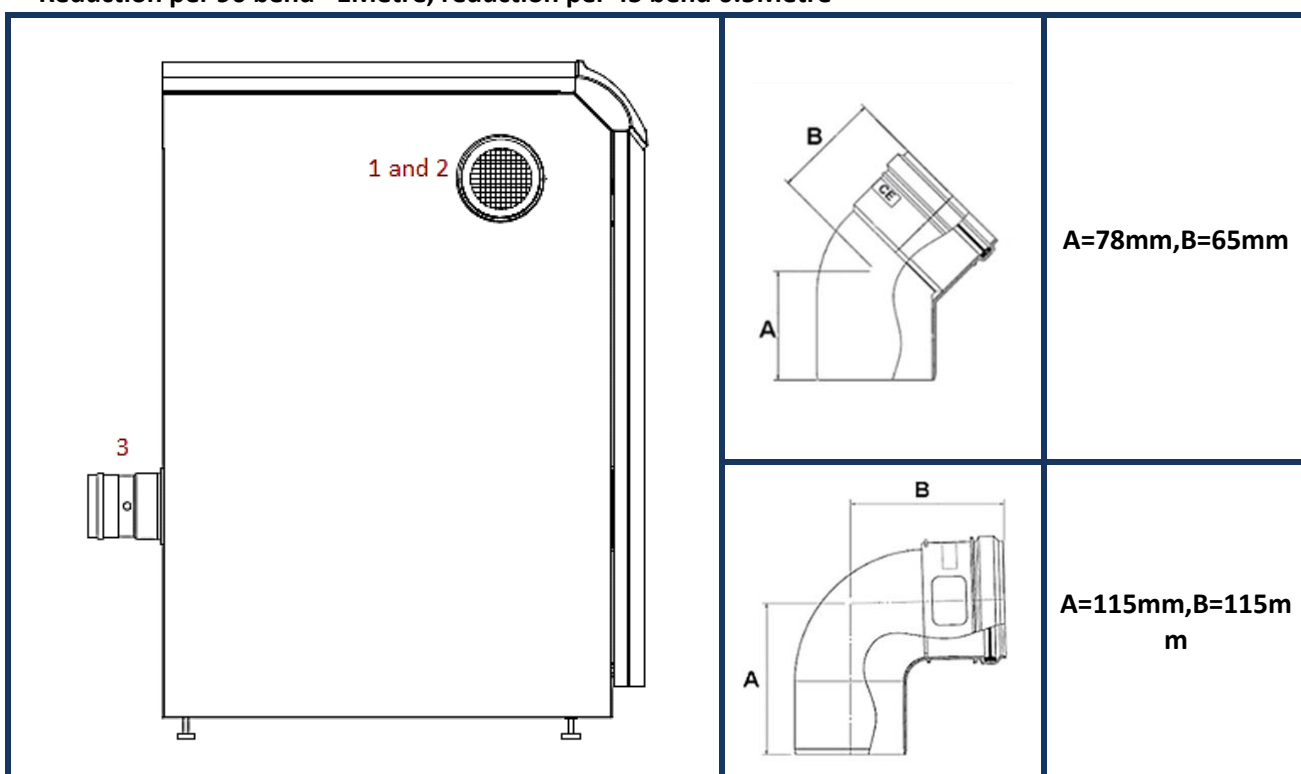
MODELS EKW86CE,EKW116CE

COMPONENTS INCLUDED

Item No.	Description	Number	Quantity
M75257	AIR INLET TRANSITION Ø100mm ALU	1	1
M86787	APPLIANCE AIR INLET GUARD Ø100mm	2	1
M85189	SAMPLING POINT Ø100mm PP	3	1

Maximum equivalent flue length =60 Metres

Reduction per 90 bend =1Metre, reduction per 45 bend 0.5Metre



Additional Flue Ancillary Items

Item No.	Description	Dimensions
LV310754	CONCENTRIC VERTICAL TERMINAL Ø100/150mm PP	1735mm total
LV310758	CONCENTRIC HORIZONTAL TERMINAL Ø100/150mm PP	600mm total
M85176	EXTENSION Ø100mm PP CUT TO LENGTH	500mm
M85177	EXTENSION Ø100mm PP CUT TO LENGTH	1000mm
M85181	BEND 90° 100mm PP	See drawing above
M85182	BEND 45° 100mm PP	See drawing above
M87193	WALL CLAMP (100mm)	n/a

For further information, see Installation manual available at www.lochinvar.ltd.uk

Item No EKWCF003

FAN ASSISTED OPEN FLUE STARTER ASSEMBLY

Kit contains components to start the connection to the appliance only

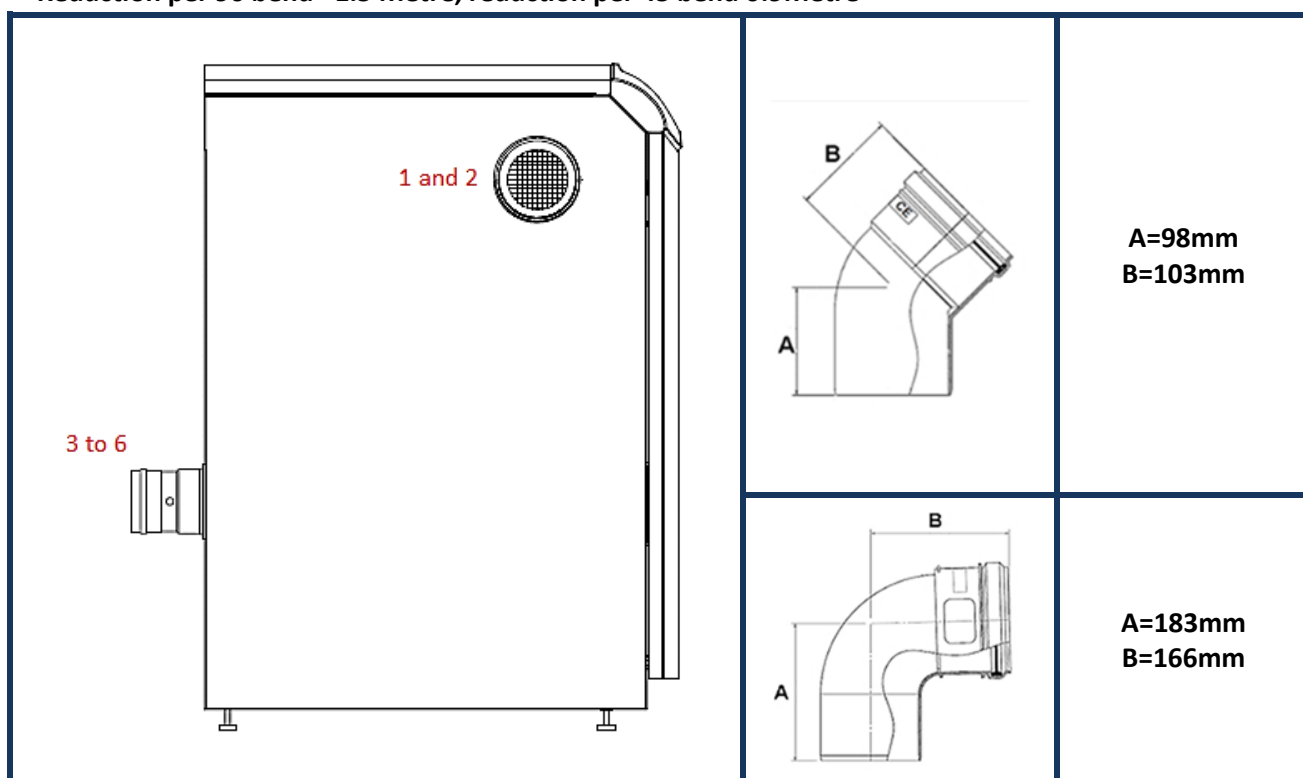
MODELS EKW146CE, EKW176CE

COMPONENTS INCLUDED

Item No.	Description	Number	Quantity
M75257	AIR INLET TRANSITION \varnothing 100mm ALU	1	1
M86787	APPLIANCE AIR INLET GUARD \varnothing 100mm	2	1
M85181	BEND 90° 100mm PP	3	1
M85126	EXPANDER \varnothing 100mm - \varnothing 130mm PP	4	1
M70262	EXPANDER \varnothing 130mm - \varnothing 150mm	5	1
M70326	SAMPLING POINT \varnothing 150mm PP	6	1

Maximum equivalent flue length =60 Metres

Reduction per 90 bend =1.5 Metre, reduction per 45 bend 0.9Metre



Additional Flue Ancillary Items

Item No.	Description	Dimensions
M70359	VERTICAL TERMINAL - \varnothing 150mm PP	1575mm total
LV310694	EXTENSION \varnothing 150mm(1000mm) PP CUT TO LENGTH	1000mm
LV310695	EXTENSION \varnothing 150mm(2000mm) PP CUT TO LENGTH	2000mm
LV310664	BEND 45° \varnothing 150mm PP	See drawing above
LV310665	BEND 90° \varnothing 150mm PP	See drawing above
LV310674	CONDENSATE DRAIN AND TRAP \varnothing 150mm	n/a
M87196	WALL CLAMP \varnothing 150mm	n/a

For further information, see Installation manual available at www.lochinvar.ltd.uk

Item No EKWCF004

FAN ASSISTED OPEN FLUE STARTER ASSEMBLY

Kit contains components to start the connection to the appliance only

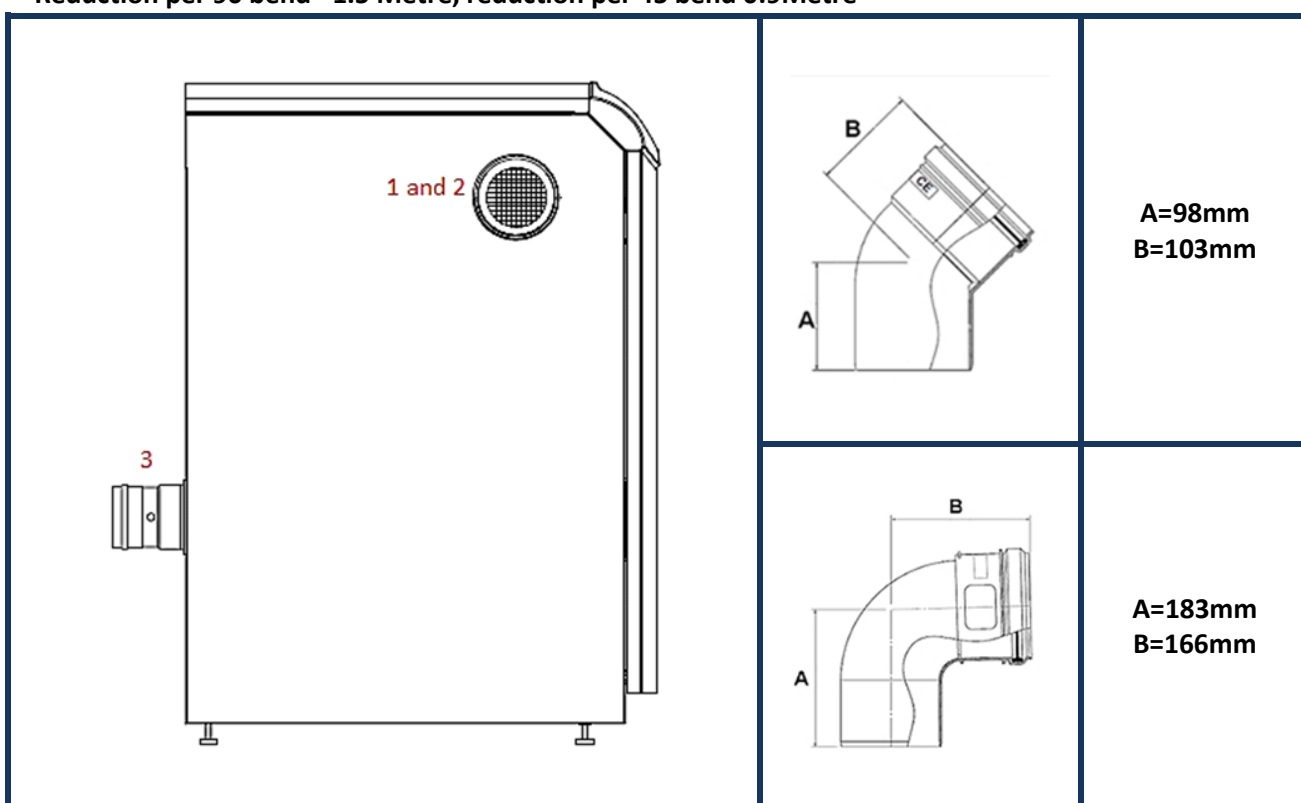
MODELS EKW206CE, EKW236CE

COMPONENTS INCLUDED

Item No.	Description	Number	Quantity
M75257	AIR INLET TRANSITION Ø100mm ALU	1	1
M86787	APPLIANCE AIR INLET GUARD Ø100mm	2	1
M70326	SAMPLING POINT Ø150mm PP	3	1

Maximum equivalent flue length =60 Metres

Reduction per 90 bend =1.5 Metre, reduction per 45 bend 0.9Metre



Additional Flue Ancillary Items

Item No.	Description	Dimensions
M70359	VERTICAL TERMINAL - Ø150mm PP	1575mm total
LV310674	CONDENSATE DRAIN AND TRAP Ø150mm	n/a
LV310695	EXTENSION Ø150mm(2000mm) PP CUT TO LENGTH	2000mm
LV310694	EXTENSION Ø150mm(1000mm) PP CUT TO LENGTH	1000mm
LV310664	BEND 45° Ø150mm PP	See drawing above
LV310665	BEND 90° Ø150mm PP	See drawing above
M87196	WALL CLAMP Ø150mm	n/a

For further information, see Installation manual available at www.lochinvar.ltd.uk

Item No EKWTF001

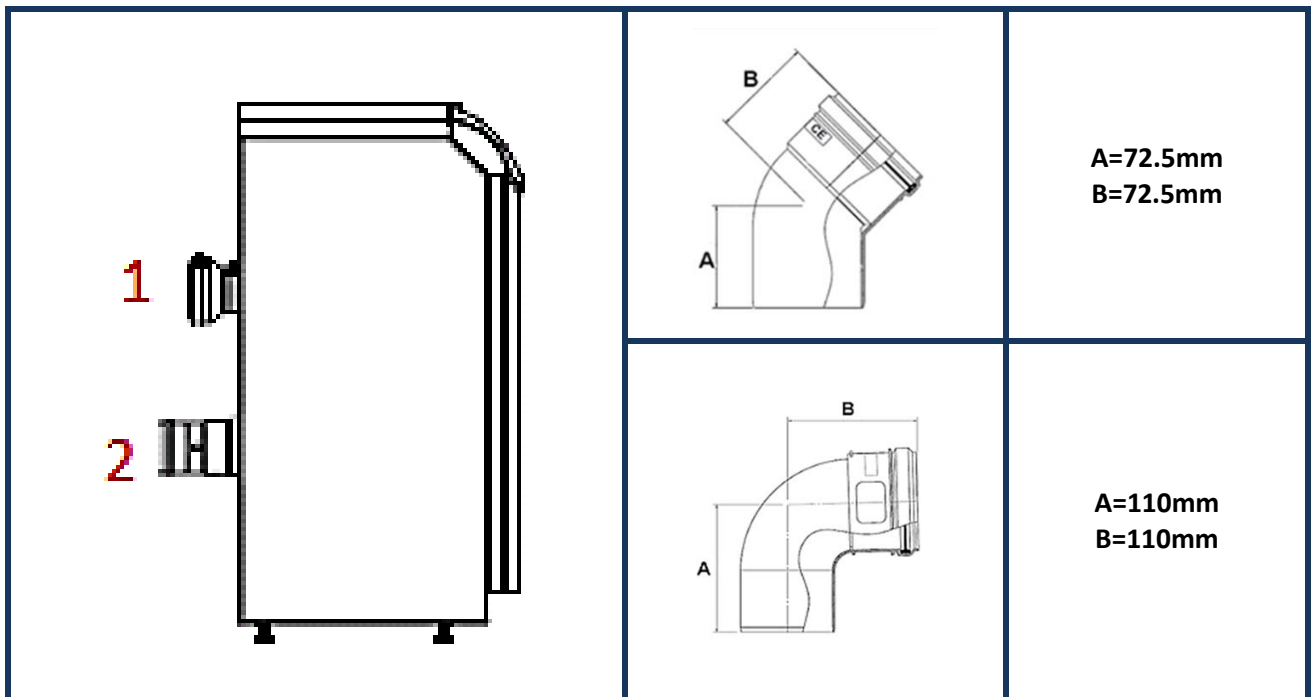
TWIN-PIPE FLUE STARTER ASSEMBLY
Kit contains components to start the connection to the appliance only

MODELS EKW46CE,EKW61CE

COMPONENTS INCLUDED			
Item No.	Description	Number	Quantity
M75256	AIR INLET TRANSITION Ø80mm ALU	1	1
M85279	SAMPLING POINT Ø80mm PP	2	1

Maximum equivalent flue length =60 Metres (TOTAL AIR INLET AND FLUE OUTLET)

Reduction per 90 bend =1 Metre, reduction per 45 bend 0.5Metre



Additional Flue Ancillary Items

Item No.	Description	Dimensions
VERTICAL FLUE		
M86864	CONCENTRIC VERTICAL TERMINAL Ø80/125mm PP	1354mm total
HORIZONTAL FLUE		
M86934	CONCENTRIC HORIZONTAL TERMINAL Ø80/125mm PP (NO WALL PLATES)	765mm total
M28925	TERMINAL WALL PLATES (PAIR)	n/a
OTHER FLUE COMPONENTS		
LV310718	EXTENSION - Ø80mm PP CUT TO LENGTH	250mm
M85271	EXTENSION Ø80mm PP CUT TO LENGTH	500mm
M85272	EXTENSION Ø80mm PP CUT TO LENGTH	1000mm
LV310721	EXTENSION - Ø80mm PP CUT TO LENGTH	2000mm
LV310722	EXTENSION - Ø80mm PP TELESCOPIC	240-360mm
M85292	BEND 45° 80mm PP	See drawing above
M85291	BEND 90° 80mm PP	See drawing above
M87191	WALL CLAMP Ø80mm	n/a

For further information, see Installation manual available at www.lochinvar.ltd.uk

Item No EKWTF002

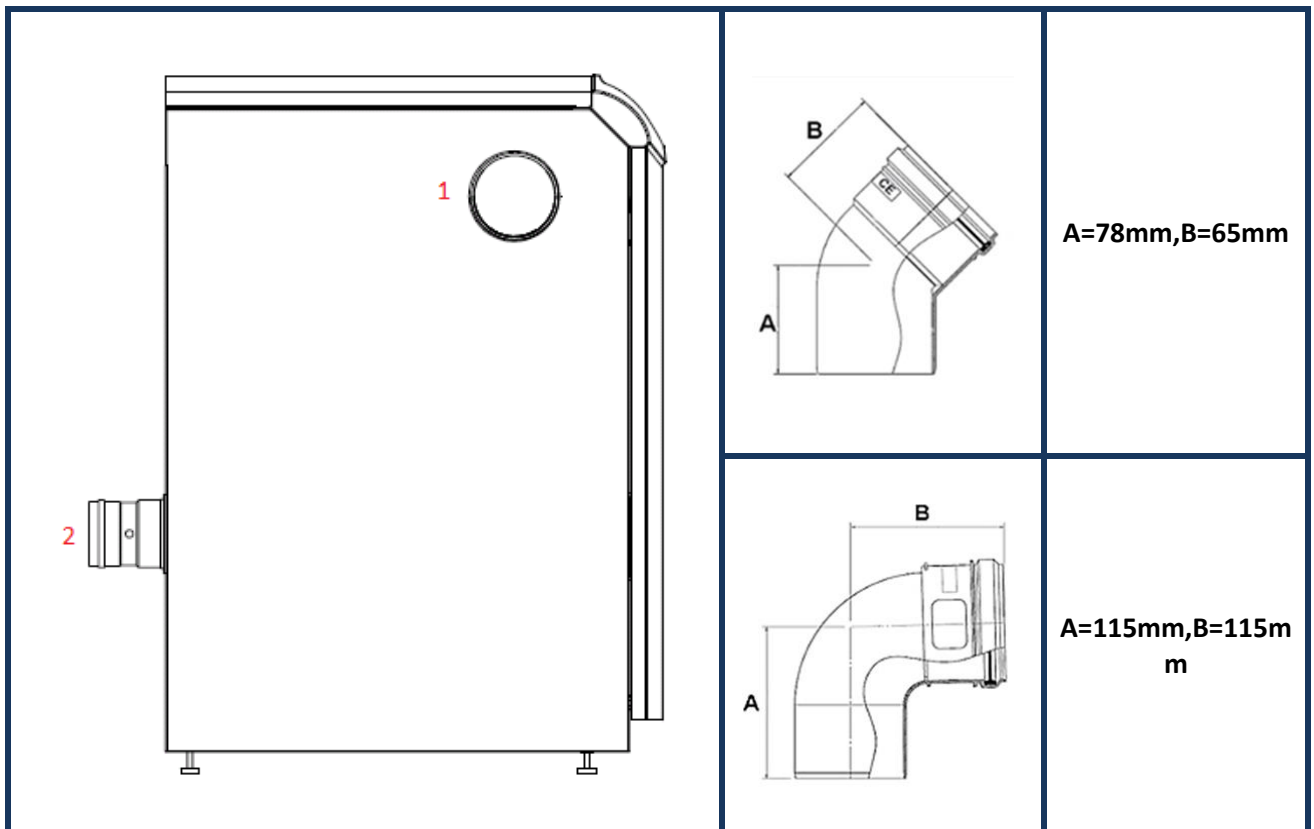
TWIN-PIPE FLUE STARTER ASSEMBLY
Kit contains components to start the connection to the appliance only

MODELS EKW86CE,EKW116CE

COMPONENTS INCLUDED			
Item No.	Description	Number	Quantity
M75257	AIR INLET TRANSITION Ø100mm ALU	1	1
M85189	SAMPLING POINT Ø100mm PP	2	1

Maximum equivalent flue length =60 Metres (TOTAL AIR INLET AND FLUE OUTLET)

Reduction per 90 bend =1.5 Metre, reduction per 45 bend 0.9Metre



Additional Flue Ancillary Items

Item No.	Description	Dimensions
VERTICAL FLUE		
LV310754	CONCENTRIC VERTICAL TERMINAL Ø100/150mm PP	1735mm total
HORIZONTAL FLUE		
LV310758	CONCENTRIC HORIZONTAL TERMINAL Ø100/150mm PP	765mm total
OTHER FLUE COMPONENTS		
LV305039	HORIZONTAL AIR INLET Ø100mm ALU	500mm
M85176	EXTENSION Ø100mm PP CUT TO LENGTH	500mm
M85177	EXTENSION Ø100mm PP CUT TO LENGTH	1000mm
M85181	BEND 90° 100mm PP	See drawing above
M85182	BEND 45° 100mm PP	See drawing above
M87193	WALL CLAMP (100mm)	n/a

For further information, see Installation manual available at www.lochinvar.ltd.uk

TWIN-PIPE FLUE STARTER ASSEMBLY

MODELS EKW146CE,EKW176CE

The concentric flue assembly for models EKW146CE and EKW176CE consists of a twin-pipe flue system with a concentric terminal- this system should be used if a twin-pipe assembly is required for these models.
See 9 and 5

TWIN-PIPE FLUE STARTER ASSEMBLY

MODELS EKW206CE,EKW236CE

The concentric flue assembly for models EKW206CE and EKW236CE consists of a twin-pipe flue system with a concentric terminal- this system should be used if a twin-pipe assembly is required for these models.
See 10 and 6



IMPORTANT INFORMATION

These instructions must be read and understood before installing, commissioning, operating or maintaining the equipment.

